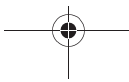
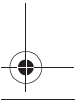
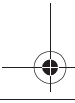
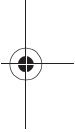
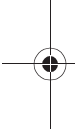


User's Manual

Ice Maker Kit

MODEL: IM1800MD

Before using your product, please read this manual carefully and keep it for future reference.



Contents

Introduction	2
Important Safety Instructions.....	2
Features	4
Package contents	4
Installing the ice maker.....	5
Connecting the ice maker to the water supply	14
Tips for using your automatic ice maker.....	17
Troubleshooting	18
Specifications.....	19
WARRANTY	20

Introduction

Congratulations on your purchase of a high-quality Midea product. The ice maker kit works with these models, WHD-663FWEW1, WHD-663FWEB1, WHD-663FWESS1, WHD-774FWEW1, WHD-774FWEB1 and WHD-774FWESS1.

Important Safety Instructions



This symbol indicates that dangerous voltage constituting a risk of electric shock is present within your refrigerator.



This symbol indicates that there are important operating and maintenance instructions in the literature accompanying your refrigerator.

WARNING

- 1 Read these instructions.
- 2 Keep these instructions.
- 3 Heed all warnings.

- 4 Follow all instructions.
- 5 Do not place fingers or hands into the automatic ice making mechanism while the refrigerator is plugged in. Doing so may expose you to possible injury.
- 6 Keep your hands away from the ejector mechanism and the heating element that releases the ice cubes, located on the bottom of the ice maker.
- 7 Refer all servicing to qualified service personnel. Servicing is required when the appliance has been damaged in any way, such as the power-supply cord or plug is damaged, liquid has been spilled or objects have fallen into the appliance, the appliance has been exposed to rain or moisture, does not operate normally, or has been dropped.



WARNING

Electric Shock Hazard

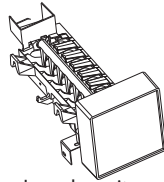
Failure to follow these instructions can result in electric shock, fire, or death.

- 1 **WARNING**—Do not touch the interior of the freezer compartment with wet hands. This could result in frost bite.
- 2 **WARNING**—Do not use electrical appliances inside the food storage compartment of the refrigerator, unless they are of the type recommended by the manufacturer.
- 3 Unplug the refrigerator before performing user maintenance on it.
- 4 This appliance can be used by children age eight years and older and persons with reduced physical or mental capabilities or lack of experience and knowledge if they are given supervision or instruction concerning the use of the appliance in a safe way and understand the hazards involved. Children should not play with the appliance. Cleaning and maintenance should not be performed by children without supervision.
- 5 If a component part is damaged, it must be replaced by the manufacturer, its service agent, or similar qualified persons in order to avoid a hazard.

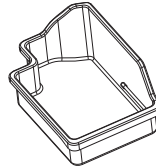
Features

- Produces up to three pounds of ice a day, depending on the size of your refrigerator.
 - 18 cu.ft. or larger = 2.8 lbs
 - 21 cu.ft. or larger = 3.0 lbs.
- Stores up to six pounds of ice
- Prevents overflow by automatically detecting when storage bin is full
- Works with these Midea refrigerators: WHD-663FWEW1, WHD-663FWEB1, WHD-663FWESS1, WHD-774FWEW1, WHD-774FWEB1, WHD-774FWESS1

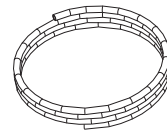
Package contents



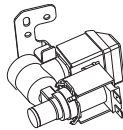
Ice maker unit



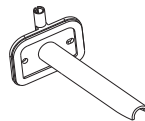
Ice storage bin



Plastic water supply tubing



Water valve



Water inlet tube (2)



Tube clamp



Instruction manual



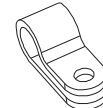
Self-drilling screws (5)



Ice maker mounting screws (2)

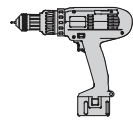


Leveling bracket screw



Plastic clip (2)

Tools and materials needed



Electric drill with a 1/4" drill bit



Putty knife



Needle nose pliers or nut driver



Adjustable wrench



Knife



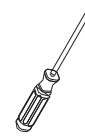
Flat blade screwdriver



1/4" OD copper supply line with compression nuts and ferrules



Shut off valve (non self piercing)



Phillips screwdriver



Water line kit #5303917950

You'll also need:

- A freezer shelf to hold the ice storage bin. If your model does not have one, contact your dealer to order one.
- Access to a household cold water line with water pressure between 20 and 120 psi.

The water line kit (including copper tubing and shut off valve) are available in a kit (#5303917950) from your local hardware or plumbing supply store.

Installing the ice maker

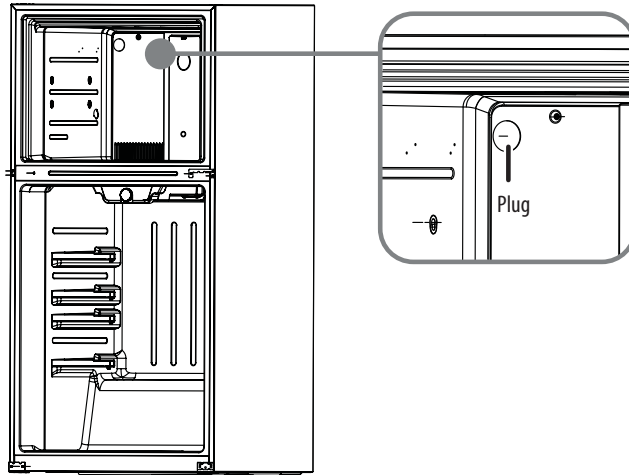
Your Midea refrigerator comes set up for ice maker installation.

Caution

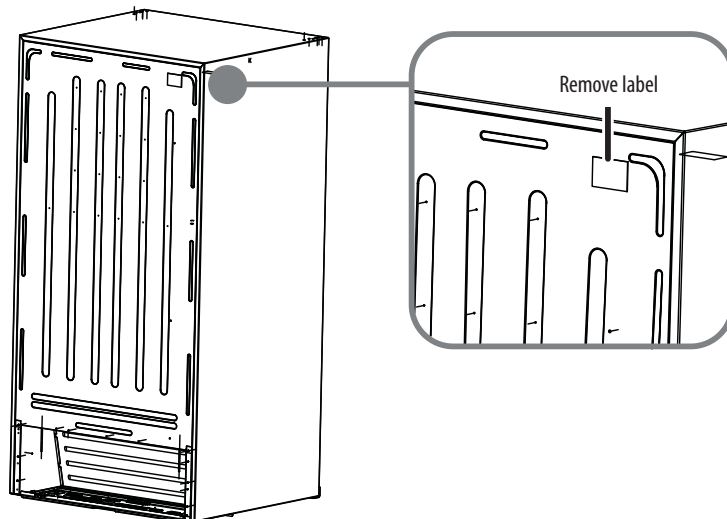
Unplug the refrigerator. To eliminate the danger of electric shock during installation, you must unplug the refrigerator.

- 1 Unplug the refrigerator from the wall outlet.
- 2 Remove the freezer shelf and ice tray rack from the freezer.

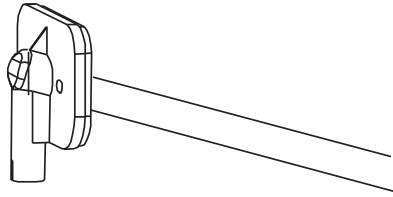
- 3** Remove the plug from the inside of the freezer compartment with a putty knife.



- 4** Peel off the label covering the ice maker hole on the back of the refrigerator, then remove the foam from the hole with the needle nose pliers. Retain the foam for future use.



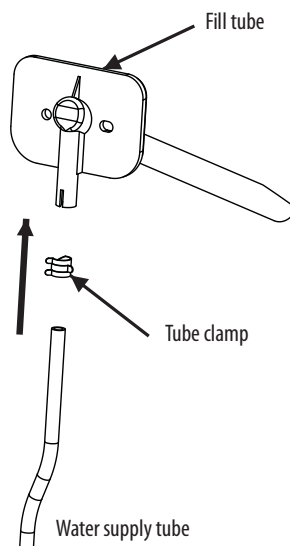
- 5 Push the water inlet tube into the small hole on back of refrigerator. Rotate while inserting the tube until the flat surface of inlet tube is tight against the back of the refrigerator.



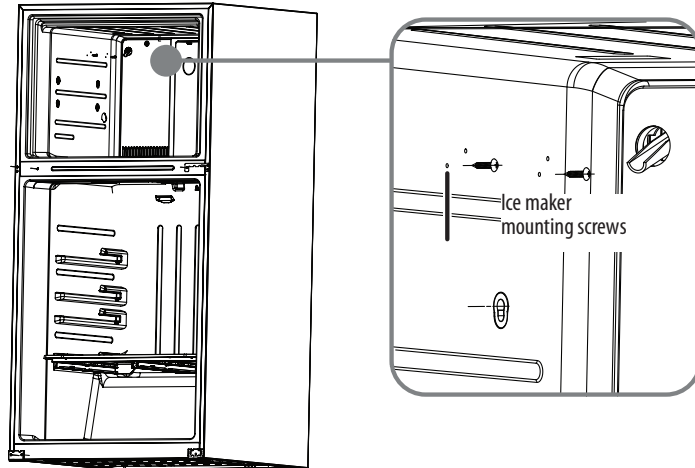
- 6 Secure the water inlet tube to the back of the refrigerator with two self-drilling screws (provided).
- 7 Squeeze together and slide the tube clamp over the fill tube. While still squeezing the clamp, insert one end of the plastic tube into the fill tube as far as it will go, then slide the clamp downward to capture the fill tube in place.

Caution

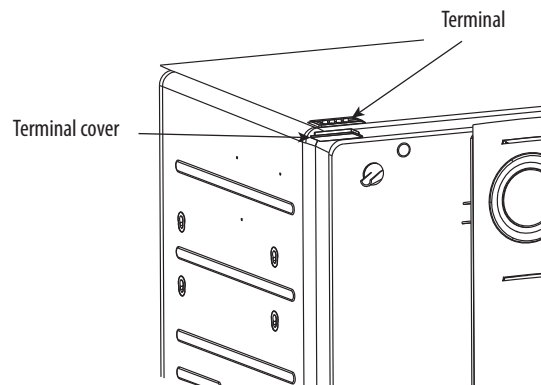
Leaks may result if the plastic tube is not pushed in as far as it can go and the tube clamp is not in place over the fill tube.



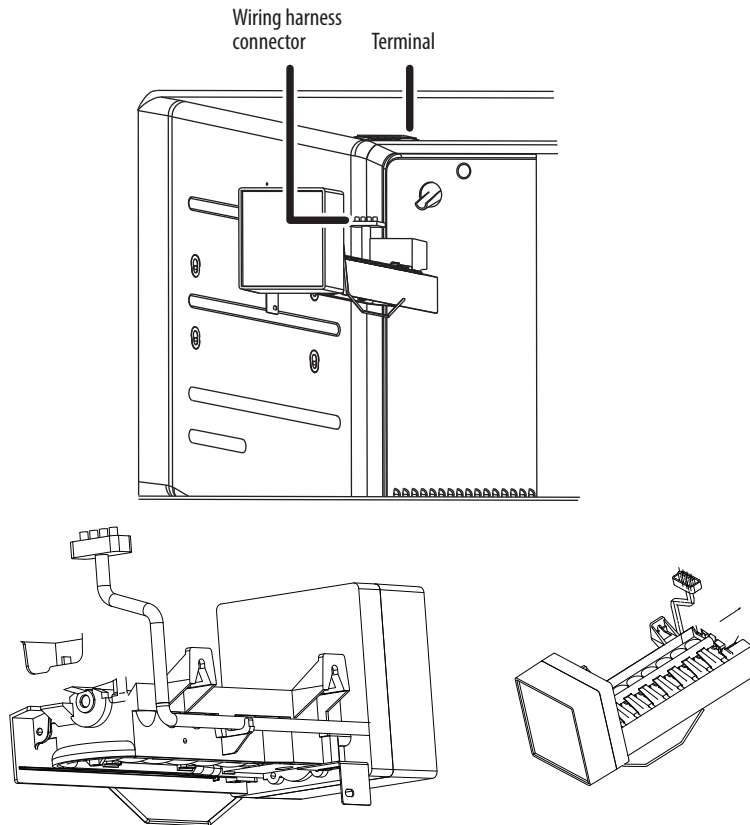
- 8** Insert the two ice maker mounting screws into the holes in the freezer wall. Turn each screw clockwise five times.



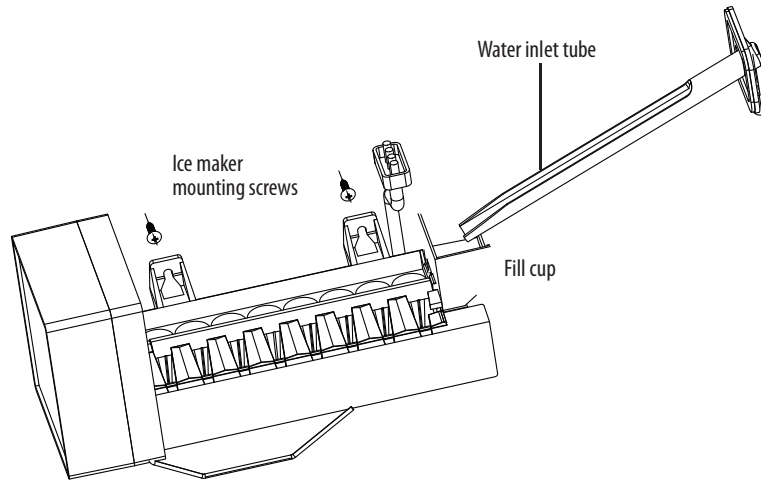
- 9** Use needle nose pliers to remove the terminal cover located at the top of the freezer by first pulling down one side of the cover, then pulling down the other side. Save the terminal cover for future use in case the ice maker is removed.



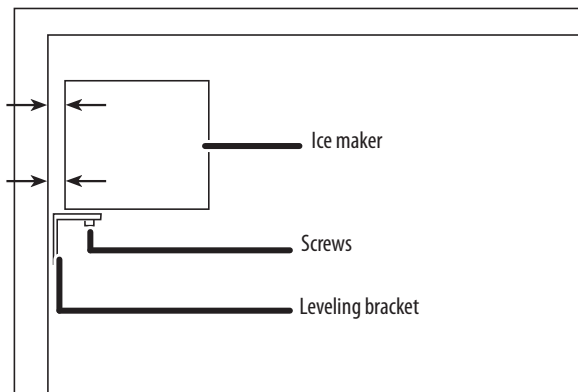
- 10** With the ice maker in one hand, plug the wiring harness connector into the terminal located at the top of the freezer panel. Make sure that the connection is tight. Make sure the wiring harness is still in the hook on the back of ice maker.



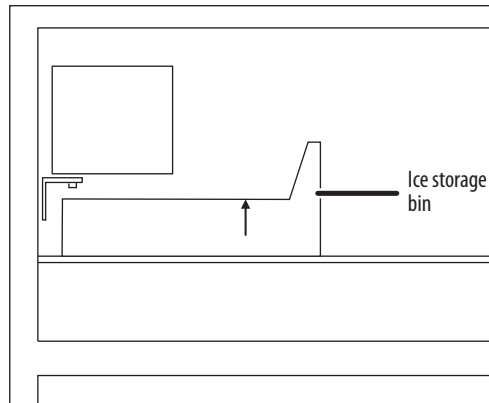
- 11** Mount the ice maker onto the two ice maker mounting screws you installed in step 9. Make sure that the water inlet tube is sitting inside the fill cup, then tighten the screws.



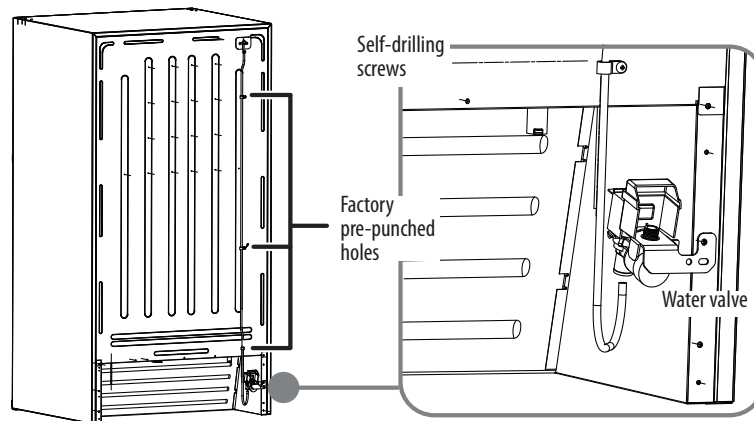
- 12** Adjust the leveling bracket to level the ice maker. The ice maker is level when the gap between the freezer wall and the ice maker is the same at the top and bottom.



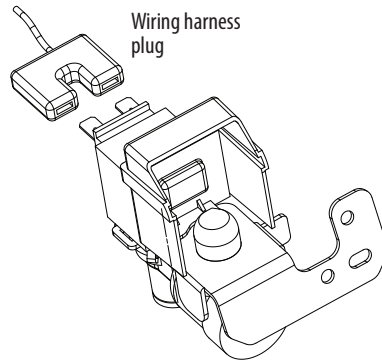
- 13** Reinstall the freezer shelf and set the ice storage bin on the shelf.



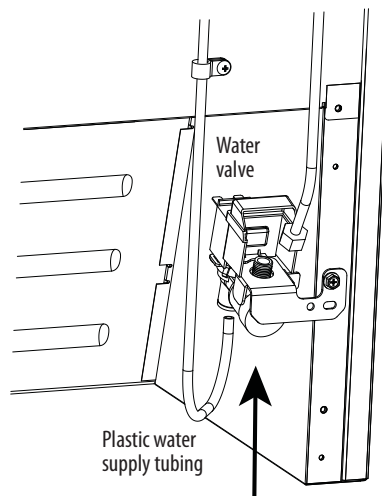
- 14** Locate the pre-punched holes at the bottom right corner of the back panel of the refrigerator. Align the bracket of the water valve with the factory drilled holes, then use a Phillips head screwdriver to drive the two self-drilling screws through the bracket and into the cabinet.



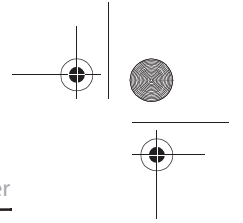
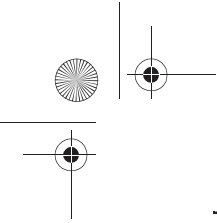
- 15** Connect the wiring harness to the water valve, making sure that the connection is tight.



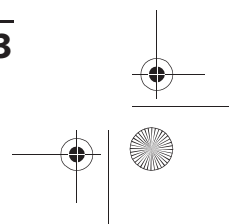
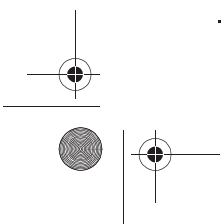
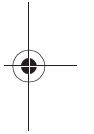
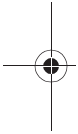
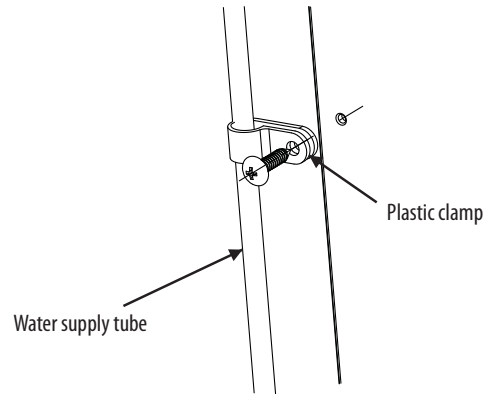
- 16** Grasp the other end of the plastic tube and push it firmly into the quick-connection on the valve until it bottoms out.



- 17** Clean the back of the cabinet with a commercial household cleaner, ammonia, or alcohol before applying the clamps.



18 Secure the plastic water supply tubing to the back of the cabinet with two plastic clamps.



Connecting the ice maker to the water supply

Before you begin, please note:

- This water line installation is not warranted by the refrigerator or ice maker manufacturer.
- Follow these instructions carefully to minimize the risk of water damage.
- Water hammer (water banging in the pipe) in house plumbing can cause damage to refrigerator parts and lead to water leakage or flooding. Call a qualified plumber to correct water hammer before installing the water supply line to the refrigerator.
- To prevent burns and product damage, do not hook up the water line to the hot water line.
- If you use your refrigerator before connecting the water line, make sure the ice maker wire signal arm is in the OFF position.
- Do not install the ice maker tubing in areas where temperature falls below freezing.
- When using any electrical devices (such as power drill) during installation, be sure the device is double insulated or grounded in a manner to prevent the hazard of electric shock, or is battery powered.
- All installations must be in accordance with local plumbing code requirements.

Warnings

- The ice maker should be installed by an authorized service technician.
- Make sure that the refrigerator is unplugged to eliminate the danger of electric shock during installation.

- 1 Disconnect the refrigerator from the electric wall outlet.
- 2 Remove the parts in the water line kit that you purchased for this purpose.
- 3 Connect the end of the water supply line to the household cold water line behind the refrigerator. Choose a location for the valve that is easy to access. We recommend that you connect it to the side of a vertical water pipe. If it is necessary to connect it to a horizontal water pipe, make the connection to the top or side, rather than at the bottom, to avoiding drawing off any sediment from the water pipe.
- 4 Make sure that the household water supply is turned off, then drill a ¼" hole in the water pipe (even if using a self-piercing valve), using a sharp bit. Remove any burrs resulting from drilling the hole. Take care not to allow water to drain into the drill. Failure to drill a ¼" hole may result in reduced ice production or smaller cubes.
- 5 Fasten the shutoff valve to the cold water pipe with the pipe clamp, then tighten the pipe clamp screws until the sealing washer begin to swell. Do not over-tighten or you may crush the tubing.

- 6** Route the tubing through a hole drilled in the wall or floor (behind the refrigerator or adjacent base cabinet) as close to the wall as possible.

Note

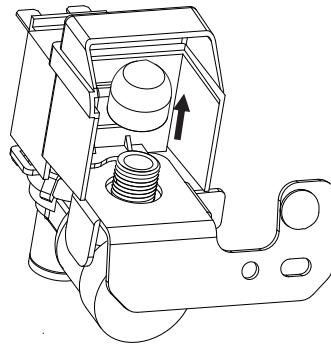
Make sure that there is sufficient extra tubing to allow the refrigerator to move out from the wall after installation.

- 7** Connect the tubing to the valve by placing the compression nut and ferrules (sleeves) for copper tubing onto to the end of the tubing and connect it to the shutoff valve. Make sure the tubing is fully inserted into the valve.
- 8** Tighten the compression nut securely. For plastic tubing, insert the molded end of the tubing into the valve and tighten compression nut until it is hand-tight, then tighten one additional turn with a wrench. Over-tightening may cause leaks.
- 9** Place the end of the water supply line into a sink or bucket and flush the water supply line with water until the water runs clear.

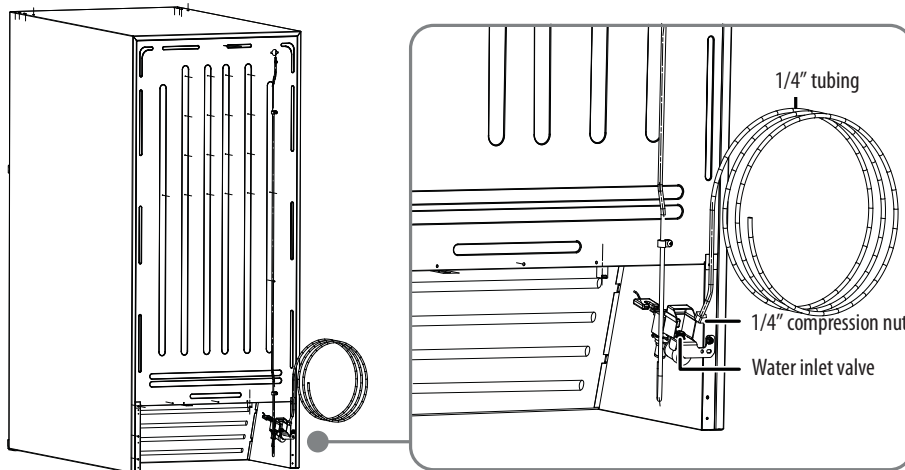
Note

- Before making the connection to the refrigerator, be sure the refrigerator power cord is not plugged into the wall outlet.
- If your refrigerator does not have a water filter, we recommend installing one if your water supply has sand or particles that could clog the screen of the refrigerator's water valve.

- 10** Unscrew the plastic cap from the water inlet valve and discard it.



- 11** Slide a brass compression nut, then a ferrule (sleeve), onto the water supply line.



- 12** Push the end of the tubing into the water inlet valve as far as it will go or 1/4-inch, then slide the ferrule (sleeve) into the valve inlet and finger tighten the compression nut onto the valve. Tighten another half turn with a wrench. DO NOT overtighten.
- 13** Secure the water supply line to the back panel of your refrigerator with a steel clamp and screw at the location shown on the illustration.
- 14** Coil the excess water supply line (about 2-1/2 turns) behind the refrigerator and arrange the coils so they do not vibrate or wear against any other surface.
- 15** Turn on the water supply at the shutoff valve and tighten any connections that leak.
- 16** Reconnect the refrigerator to the electric wall outlet.
- 17** To turn on the ice maker, lower the wire signal arm.

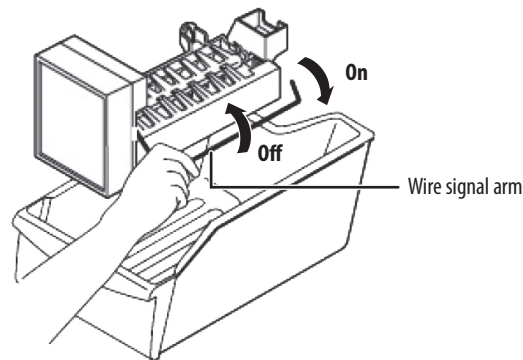
Important

It takes approximately 24 hours for the ice maker to begin producing usable ice. Air in new plumbing lines may cause the ice maker to cycle two or three times before making a full tray of ice. New plumbing may cause ice to be discolored or have poor flavor. Discard ice made during the first 24 hours.

Tips for using your automatic ice maker

Remember that water quality determines the quality of ice. The ice maker should not be connected to softened water. If the water softener has problems, chemical substances can damage the ice maker.

To turn off the ice maker, raise the wire signal arm until it locks in the “up” off position. When the ice storage bin is full, the wire signal arm will hit the ice cubes and the ice maker will automatically shut down.



If you store ice cubes too long they may produce a peculiar smell. To eliminate the smell, empty the ice storage bin, wash it out, then replace it. The ice maker will produce more ice cubes.

Shake the ice storage bin from time to time to ensure that the ice cubes separate from each other.

Before the refrigerator is connected to the water supply system, or any time the water supply is turned off, the wire signal arm should be in the “up” or closed position.

Maintaining your ice maker

Use mild detergent in warm water to clean the ice storage box, then rinse and dry it.

Turn off the ice maker when you clean your refrigerator or plan to be away for a short period.

If you are going away for an extended period, turn off the water supply valve.

Troubleshooting

Caution

Do not try to repair your ice maker yourself. Doing so invalidates the warranty.

Problem	Possible cause	Possible solution
The ice maker makes no ice	The freezer temperature is too high.	Make sure that the freezer temperature is low enough to make ice.
	There may be something mechanically wrong with the ice maker.	Test or have tested the following: <ul style="list-style-type: none"> • The ejector gear • The ejector motor • The ice mold heater • The holding switch • The water inlet switch • The thermostat • The water inlet valve
The ice maker is not working	The ice maker is not plugged in correctly.	Make sure that the ice maker connector plug is fully inserted into the socket.
The ice tray is not filling	The fill tube is not correctly seated in the fill cup.	Make sure that the fill tube is correctly inserted into the fill cup opening.
	The water supply valve is turned off.	Make sure that the water supply valve is turned on. Inspect the water supply line for problems.
The ice smells funny	The ice storage bin needs cleaning.	Empty and wash the ice storage bin and discard the old ice cubes.
The ice maker buzzes	Normal	The ice maker water valve buzzes when the ice maker fills with water.
The ice maker makes too much ice or will not shut off	The wire signal arm is jammed in the wrong position.	Make sure that the ice maker wire signal arm is not jammed and free it if it is.
	The shutoff switch is broken.	Call an appliance technician and have the switch tested.
The ice cubes will not eject	There may be something mechanically wrong with the ice maker.	Test or have tested the following: <ul style="list-style-type: none"> • The ejector gear • The ejector motor • The ice mold heater • The holding switch • The thermostat
The ice smells funny or tastes bad	The ice storage bin or freezer needs cleaning.	Empty and wash the ice storage bin and discard the old ice cubes. Wash the interior of the freezer. Remove any old food.
	The water inlet filter (if you are using one) needs to be replaced.	Replace the water inlet filter.
	There may be impurities in the water supply line.	Flush out the water supply line.

Problem	Possible cause	Possible solution
The ice is discolored	There may be impurities in the water supply line or the ice mold tray.	Flush out the water supply line and clean the ice mold tray. Install a water supply line filter if your refrigerator doesn't have one.

Specifications

Ice Maker Dimensions	5.5 H x 4.8 W x 11.7D in (14 x 12.2 x 29.6 cm)
Ice Storage Bin Dimensions	3.2 H x 9.1 W x 14.3 D in (8.1 x 23.1 x 36.3 cm)
Weight	4.6 lbs (2.1 kg)
Power requirements	115 V~60 Hz
Current	1.6 A

Midea Warranty



Your product is protected by this warranty:

Warranty service must be obtained from Midea Consumer Services or an authorized Midea servicer.

Warranty

- One year full warranty from original purchase date.

Midea, through its authorized servicers will:

- Pay all costs for repairing or replacing parts of this appliance which prove to be defective in materials or workmanship.

Consumer will be responsible for:

- Diagnostics, removal, transportation and reinstallation cost required because of service.
- Costs of service calls that are a result of items listed under **NORMAL RESPONSIBILITIES OF THE CONSUMER****

Midea replacement parts shall be used and will be warranted only for the period remaining on the original warranty.

NORMAL RESPONSIBILITIES OF THE CONSUMER**

This warranty applies only to products in ordinary household use, and the consumer is responsible for the items listed below:

1. Proper use of the appliance in accordance with instructions provided with the product.
2. Routine maintenance and cleaning necessary to keep the good working condition.
3. Proper installation by an authorized service professional in accordance with instructions provided with the appliance and in accordance with all local plumbing, electrical and / or gas codes.
4. Proper connection to a grounded power supply of sufficient voltage, replacement of blown fuses, repair of loosened connections or defects in house wiring.
5. Expenses for making the appliance accessible for servicing.
6. Damages to finish after installation.

EXCLUSIONS

This warranty does not cover the following:

- 1) Failure caused by damage to the unit while in your possession (other than damage caused by defect or malfunction), by its improper installation, or by unreasonable use of the product, including without limitation, failure to provide reasonable and necessary maintenance or to follow the written Installation and Operating Instructions.
- 2) Products purchased "as-is" or refurbished are not covered by this warranty.
- 3) Food loss caused by refrigerator or freezer failure.
- 4) Service calls to repair or replace consumables such as water filters, light bulbs air filters etc., or handles, knobs and other cosmetic parts.
- 5) Product that has been transferred from its original owner.
- 6) Interior or exterior rust on the unit.
- 7) Damages caused by services performed by persons other than authorized Midea servicers; use of parts other than Midea replacement parts; obtained from persons other than such Midea customer service; or external causes such as abuse, misuse, inadequate power supply or acts of God.
- 8) Service calls resulting from improper installation of your product.
- 9) Service calls to instruct you on the use of your product.
- 10) Surcharges including, but not limited to, any after hour, weekend, or holiday service calls, tolls, ferry trip charges, or mileage expense for service calls to remote areas, including the state of Alaska.
- 11) If the unit is put to commercial, business, rental, or other use or application other than for consumer use, we make no warranties, express or implied, including but not limited to, any implied warranty of merchantability or fitness for particular use or purpose.
- 12) Product that has been removed outside the USA or Canada.
- 13) Products without original serial numbers or products that have serial numbers which have been altered or cannot be readily determined.

Note: Some states do not allow the exclusion or limitation of incidental or consequential damages. So this limitation or exclusion may not apply to you.

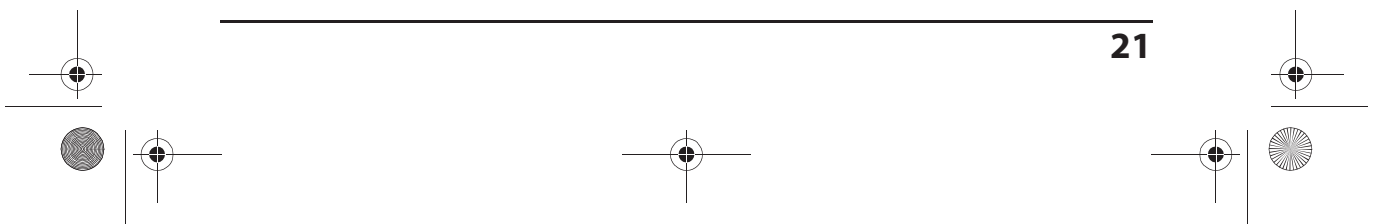
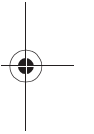
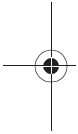
IF YOU NEED SERVICE

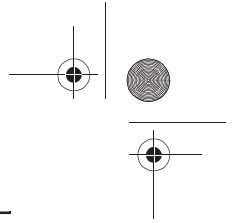
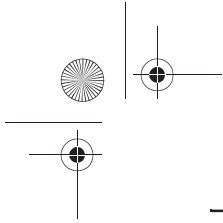
Keep your bill of sale, delivery slip, or some other appropriate payment record.
The date on the bill established the warranty period should service be required.
If service is performed, it is in your best interest to obtain and keep all receipts.
This written warranty gives you specific legal rights. You may also have other rights that vary from state to state.
Service under this warranty must be obtained by following these steps, in order:

1. Contact Midea Consumer Services or an authorized Midea servicer at 1-866-646 4332.
2. If there is a question as to where to obtain service, contact our consumer relations Department.

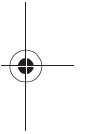
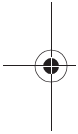


Ice Maker

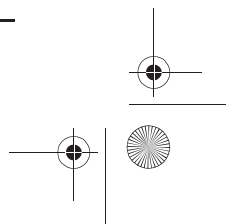
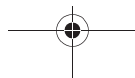
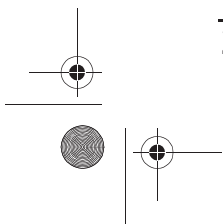




Ice Maker

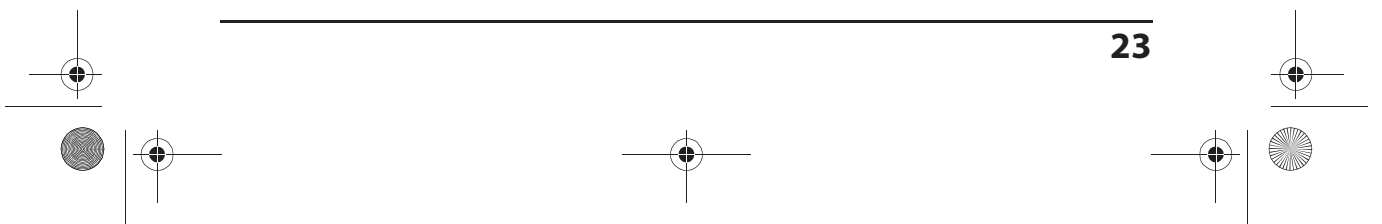
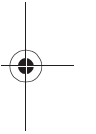
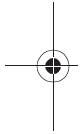


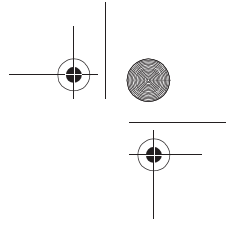
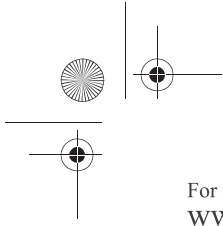
22



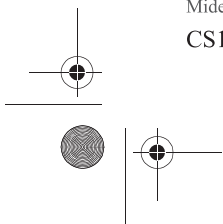
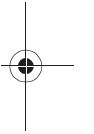


Ice Maker





For more information, please visit our website
www.midea.com



Midea Group All Right Reserved.
CS174I-BP11M

