



# WASH MORE. FEWER LOADS.

## 5.2 Cu. Ft. Front Load Washer

MLH52S7AGS      Graphite Silver

**Largest Capacity Front-Load Washer in a standard width.** The Midea 5.2 Cu. Ft. Front Load Washer has 14 cycles along with extra rinse and soak options. Reduced vibration technology keeps heavier loads balanced for quieter washing even at high spin speeds — perfect for a second floor laundry room. The standard 27" width lets you locate it just about anywhere.

### Large, 5.2 Cu. Ft. Capacity

The largest capacity in a standard 27" width. Fit more towels and sheets in a single load saving time and effort.

### Dynamic Vibration Control

Reduces vibration and noise, keeping heavy loads balanced even at high spin speeds.

### Inverter Motor

Ensures reliability along with precision speed control. Backed by a 10-year warranty.

### Internal Heater

Brings water temp. up to 160°F for sanitization and powers steam cycles for better fabric care.

### ENERGY STAR® Certified

Conserves energy while lowering your electric bill.

# 5.2 Cu. Ft. Front Load Washer

Models MLH52S7AGS



## SPECIFICATIONS

Models	MLH52S7AGS	
UPC	810004812505	
Color	Graphite Silver	
<b>PERFORMANCE</b>		
ENERGY STAR®	Yes	
Max Spin Speed (RPM)	1300	
Vibration Reduction	Yes	
UL Certification	Yes	
<b>FEATURES</b>		
Capacity (cu. ft.)	5.2	
No. of Cycles	14 (Normal/Colors, Bulk/Sheets, Heavy Duty, Whites, Towels, Sanitize, Hand Wash, Quick Wash, Delicates, Baby Care, Casual, Sportswear, Tub Clean, Rinse & Spin)	
No. of Options	9 (Steam, Signal, Water Plus, Speed Wash, Extra Rinse, Pre Wash, Control Lock, My Cycle, Delay)	
Automatic Temperature Control	Yes	
Automatic Load Sensing	Yes	
No. of Soil Levels	5 (Extra Heavy, Heavy, Medium, Light, Extra Light)	
No. of Temperature Selections	5 (Extra Hot, Hot, Warm, Eco Warm, Tap Cold)	
No. of Spin Speeds	5 (Extra High, High, Medium, Low, No Spin)	
Internal Water Heater / Sanitize	Yes	
Steam Function	Yes	
Detergent Dispenser	Pre-wash, Bleach, Softener	
Delay Start	Yes	
Child Lock	Yes	
Pre-wash	Yes	
Extra Rinse	Yes	
Drum Light	Yes	
My Cycle	Yes	
Stackable	Yes	
Time-Remaining Display	Yes	
End-Of-Cycle Signal	Yes	
<b>ELECTRICAL</b>		
Voltage (V)	120	
Amperage (A)	10	
Power Cord Included	Yes	
<b>PHYSICAL ATTRIBUTES</b>		
Included Accessories	Drain Hose Guide, Inlet Hose Screen Washers (2), Cable Tie	
Optional Accessories	Pedestal (MLPIGS), Stacking Kit (MSTK1)	
Control Panel	Dial / Touch	
Control Panel Screen / Color	LED / White	
Tub/Drum Material	Stainless Steel	
Door	Glass / Chrome Door	
Door Cover	Gray Clear	
Dimensions (W*D*H)	in	27 x 34 x 39.8
	cm	68.6 x 86.4 x 101
Depth with Door Open (in / cm)	55.5 / 141	
Weight (lbs / kg)	240 / 108.8	
Warranty	Parts & Labor, 1 Year	

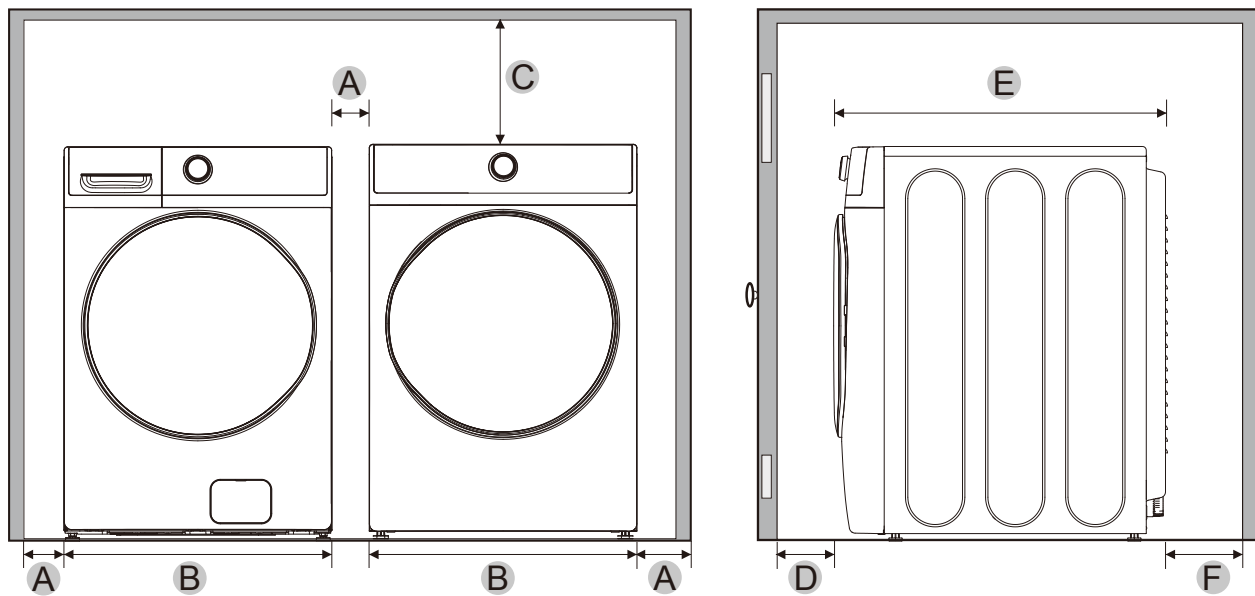
# Front Load Washers & Dryers

Models MLH45N1AWW, MLE45N1AWW, MLG45N1AWW,  
MLH52S7AGS, MLE52S7AGS, MLG52S7AGS

## Alcove or Closet or Wall Insert/Recessed Installations

**Minimum clearances between the dryer and adjacent walls or other surfaces:**

Sides (in / mm)	1 / 25	Rear (in / mm)	5 / 127
Top (in / mm)	24 / 610	Closet Front (in / mm)	2 / 51



<b>A</b> (in / mm)	1 / 25	<b>C</b> (in / mm)	24 / 610	<b>E</b> (in / mm)	33.7 / 855
<b>B</b> (in / mm)	27 / 686	<b>D</b> (in / mm)	2 / 51	<b>F</b> (in / mm)	5 / 127

### **WARNING**

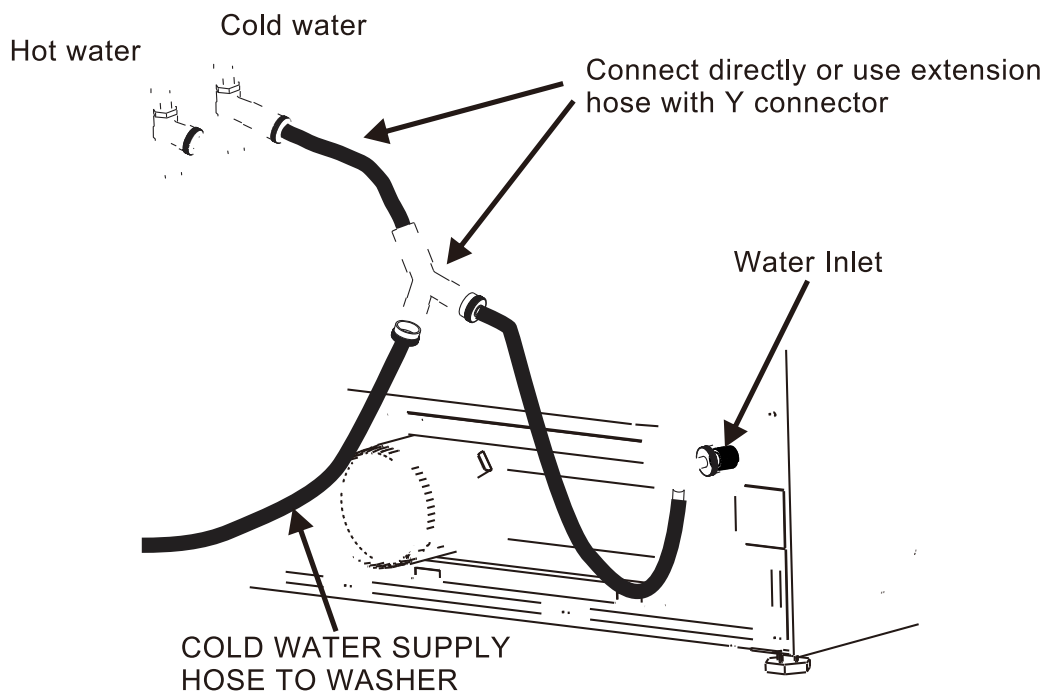
- The dryer must be exhausted to the outside to reduce risk of fire when installed any place inside the house.
- No other fuel-burning appliance should be installed in the same closet as the dryer.

## Front Load Dryer 'Y' Connector

### PARTS SUPPLIED



### CONNECT INLET HOSES



If possible install the "Y" connector directly, thread the short extension hose on to the COLD water supply and snug it by hand; then tighten it another  $\frac{2}{3}$  turn with pliers. Thread the "Y" connector to the short extension hose and snug it by hand; then tighten it another  $\frac{2}{3}$  turn with pliers

Connect the COLD inlet hose for the washer to the "Y" connector and snug it by hand; then tighten it another  $\frac{2}{3}$  turn with pliers.

Connect the straight end of a long hose to the other outlet on the "Y" connector and snug it by hand. Connect the hose's 90° coupling to the brass water inlet on the back of the dryer and snug it by hand. Tighten each connection of the dryer inlet hose another  $\frac{2}{3}$  turn with pliers. Turn on the water and check for leaks at all connections.

## Front Load Laundry Accessories

---

### Required for Installation:

**Fill Hose Kit**—Use standard 3rd party kit available at your store for washers. Available in plastic and stainless steel.

**Dryer Vent**—Use standard 3rd party accordion style vent for electric and gas dryers.

### Optional Accessories:

**Pedestal**—Elevates washer and dryer for easier loading and unloading. Convenient drawers provide extra storage under the washer and dryer for better organization in your laundry room.



**White**

**Model #** MLP1WW



**Graphite Silver**

**Model #** MLP1GS

**Stacking Kit**—Stack dryer on top of washer to maximize space. Customer should call Midea Service (Encompass) at 1-866-646-4332 to order.

**Dryer Rack**—Used to dry items such as shoes or hats so that they do not bounce around in the drum of the dryer. Customer should call Midea Service (Encompass) at 1-866-646-4332 to order.

**Y Kit Adapter**—A plastic Y connector is included with dryer but stainless steel versions may be available in-store if customers prefer.



# DRY MORE. SAVE TIME.

## 8.0 Cu. Ft. Front Load Dryer

MLE52S7AGS Electric, Graphite Silver

MLG52S7AGS Gas, Graphite Silver

**Largest Capacity Dryer in a standard width.** Our versatile, 8.0 Cu. Ft. Dryer has 14 cycles, 5 temperature settings and a convenient auto-dry feature. The reversible door can be adjusted to open from the left or right for maximum placement versatility.

### Large, 8.0 Cu. Ft. Capacity

The largest capacity in a standard 27" width. Dry everything at once including king-size comforters, towels and linens with the extra-large drum.

### Pure Steam

Built-in generator injects real steam and doesn't just spray water. Reduces odors, bacteria, and static in your clothing.

### Sensor Dry

A sensor detects when your clothes are dry and automatically stops the dryer saving energy.

### 14 Total Cycles

9 Sensor Cycles: Normal, Bulky, Heavy Duty, Casual, Sanitize, Baby Care, Delicates, Towels, Eco Normal

5 Manual Cycles: Quick Dry, Time Dry, Air Fluff, Steam Refresh, Towel Warmer

# 8.0 Cu. Ft. Front Load Dryer

Models MLH45N1AWW,



## SPECIFICATIONS

Models		MLE52S7AGS	MLG52S7AGS
UPC		810004812512	810004812529
Heater Type		Electric	Gas*
Color		Graphite Silver	Graphite Silver
<b>PERFORMANCE</b>			
ENERGY STAR®		-	-
UL Certification		Yes	Yes
<b>FEATURES</b>			
Capacity (cu. ft.)		8.0	8.0
No. of Cycles	Total	14	14
	Sensor Dry	Normal, Bulky, Heavy Duty, Casual, Sanitize, Baby Care, Delicates, Towels, Eco Normal	Normal, Bulky, Heavy Duty, Casual, Sanitize, Baby Care, Delicates, Towels, Eco Normal
	Manual Dry	Quick Dry, Time Dry, Air Fluff, Steam Refresh, Towel Warmer	Quick Dry, Time Dry, Air Fluff, Steam Refresh, Towel Warmer
No. of Options		8 (Steam, Wrinkle Care, Damp Dry Signal, Time Adjust, Child Lock, Signal, My Cycle, Eco Dry)	8 (Steam, Wrinkle Care, Damp Dry Signal, Time Adjust, Child Lock, Signal, My Cycle, Eco Dry)
Sensor Dry		Yes	Yes
Dryness Level Selections		5 (Extra Dry, More Dry, Normal Dry, Less Dry, Damp Dry)	5 (Extra Dry, More Dry, Normal Dry, Less Dry, Damp Dry)
Temperature Selections		5 (High, Medium, Low, Ultra Low, No Heat)	5 (High, Medium, Low, Ultra Low, No Heat)
Time Dry Selections		5 (60 min, 50 min, 40 min, 30 min, 20 min)	5 (60 min, 50 min, 40 min, 30 min, 20 min)
Interior Light(s)		Yes	Yes
Lint Filter		Yes	Yes
Lint Filter Indicator Light		Yes	Yes
My Cycle		Yes	Yes
Steam Function		Yes	Yes
Reversible Door Hinge		Yes	Yes
3-Way Venting		Yes	Yes
Exhaust Vent		Yes - Rear, Bottom, Left	Yes - Rear, Bottom, Left
End of Cycle Signal		Yes	Yes
Stackable		Yes	Yes
<b>ELECTRICAL</b>			
Voltage (V)		120/240	120
Amperage (A)		24	9.5
BTU/h		-	20,000
Power Cord Included		-	Yes
<b>PHYSICAL ATTRIBUTES</b>			
Included Accessories		Short Inlet Hose, Y-Connector	Short Inlet Hose, Y-Connector
Optional Accessories		Pedestal (MLP1GS), Stacking Kit (MSTK1), Double Layer Drying Rack	Pedestal (MLP1GS), Stacking Kit (MSTK1), Double Layer Drying Rack
Tub/Drum Material		Aluminized Alloy Steel	Aluminized Alloy Steel
Drum Rear Cover		Powder Sprayed SGCC	Powder Sprayed SGCC
Double Layer Drying Rack		-	-
Control Panel		Dial / Touch	Dial / Touch
Control Panel Screen / Color		LED / White	LED / White
Door		Chrome Door	Chrome Door
Door Cover		Gray Clear	Gray Clear
Dimensions (W*D*H)	in	27 x 33.6 x 39.8	27 x 33.6 x 39.8
	cm	68.6 x 85.3 x 101	68.6 x 85.3 x 101
Depth with Door Open (in / cm)		55.2 / 140.2	56.2 / 142.7
Weight (lbs / kg)		138.9 / 63	138.9 / 63
Warranty		Parts & Labor, 1 Year	Parts & Labor, 1 Year

\*For Liquid Propane gas, additional conversion kit should be purchased.

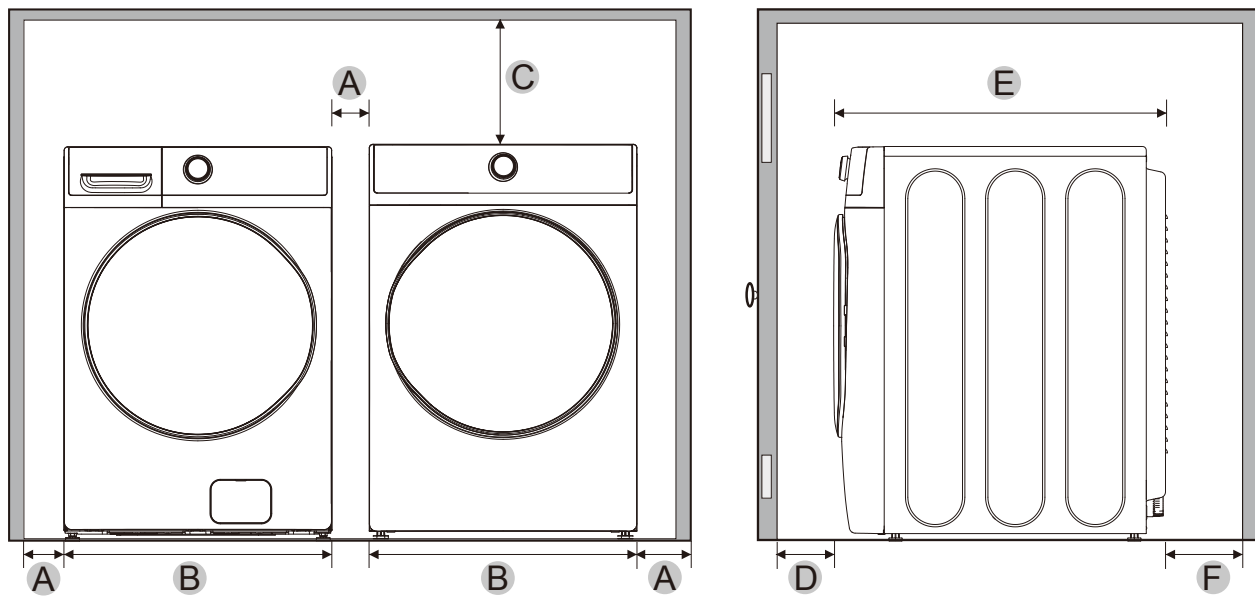
# Front Load Washers & Dryers

Models MLH45N1AWW, MLE45N1AWW, MLG45N1AWW,  
MLH52S7AGS, MLE52S7AGS, MLG52S7AGS

## Alcove or Closet or Wall Insert/Recessed Installations

**Minimum clearances between the dryer and adjacent walls or other surfaces:**

Sides (in / mm)	1 / 25	Rear (in / mm)	5 / 127
Top (in / mm)	24 / 610	Closet Front (in / mm)	2 / 51



<b>A</b> (in / mm)	1 / 25	<b>C</b> (in / mm)	24 / 610	<b>E</b> (in / mm)	33.7 / 855
<b>B</b> (in / mm)	27 / 686	<b>D</b> (in / mm)	2 / 51	<b>F</b> (in / mm)	5 / 127

### **WARNING**

- The dryer must be exhausted to the outside to reduce risk of fire when installed any place inside the house.
- No other fuel-burning appliance should be installed in the same closet as the dryer.

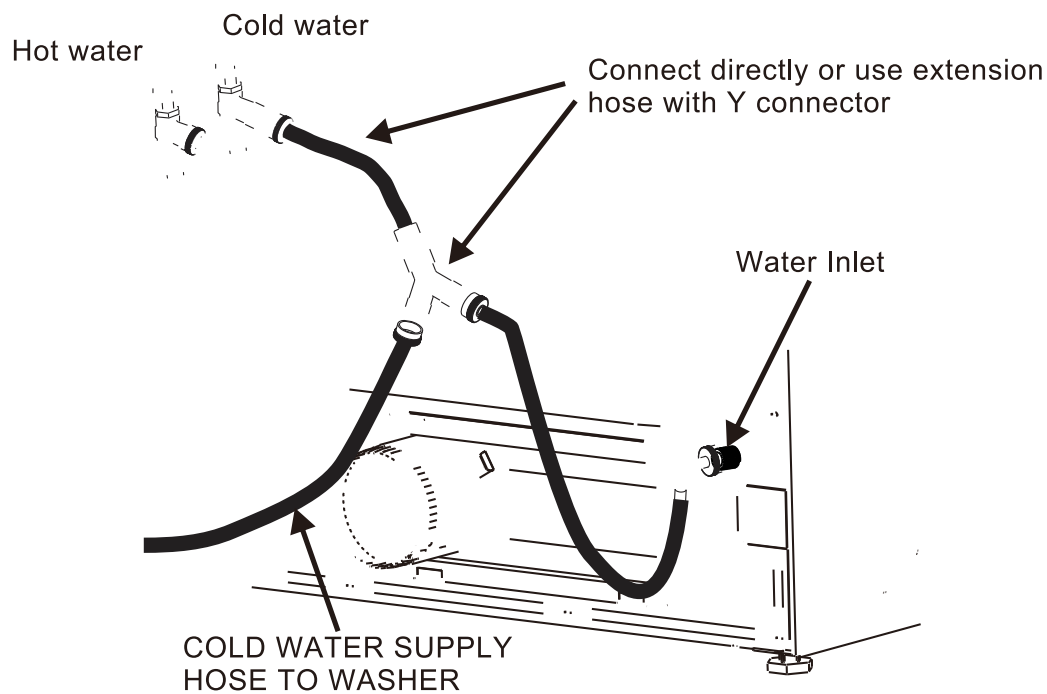


## Front Load Dryer 'Y' Connector

### PARTS SUPPLIED



### CONNECT INLET HOSES



If possible install the "Y" connector directly, thread the short extension hose on to the COLD water supply and snug it by hand; then tighten it another  $\frac{2}{3}$  turn with pliers. Thread the "Y" connector to the short extension hose and snug it by hand; then tighten it another  $\frac{2}{3}$  turn with pliers

Connect the COLD inlet hose for the washer to the "Y" connector and snug it by hand; then tighten it another  $\frac{2}{3}$  turn with pliers.

Connect the straight end of a long hose to the other outlet on the "Y" connector and snug it by hand. Connect the hose's 90° coupling to the brass water inlet on the back of the dryer and snug it by hand. Tighten each connection of the dryer inlet hose another  $\frac{2}{3}$  turn with pliers. Turn on the water and check for leaks at all connections.

## Front Load Laundry Accessories

---

### Required for Installation:

**Fill Hose Kit**—Use standard 3rd party kit available at your store for washers. Available in plastic and stainless steel.

**Dryer Vent**—Use standard 3rd party accordion style vent for electric and gas dryers.

### Optional Accessories:

**Pedestal**—Elevates washer and dryer for easier loading and unloading. Convenient drawers provide extra storage under the washer and dryer for better organization in your laundry room.



**White**

**Model #** MLP1WW



**Graphite Silver**

**Model #** MLP1GS

**Stacking Kit**—Stack dryer on top of washer to maximize space. Customer should call Midea Service (Encompass) at 1-866-646-4332 to order.

**Dryer Rack**—Used to dry items such as shoes or hats so that they do not bounce around in the drum of the dryer. Customer should call Midea Service (Encompass) at 1-866-646-4332 to order.

**Y Kit Adapter**—A plastic Y connector is included with dryer but stainless steel versions may be available in-store if customers prefer.