



# CLEAN TECHNOLOGY FOR CLEANER LAUNDRY

## 4.5 Cu. Ft. Top Load Agitator Washer

MLV45N1BWW White

**The Midea Top Load Washer** features a large, 4.5 Cu. Ft. capacity and 10 pre-set cycles including extra rinse and soak options, a stainless-steel tub and a look-through lid.

### Two-Stage Dispenser

Normal detergent amount is released in 2 stages to boost cleaning power and reduce odor.

### Soft Close Glass Lid

Lets you view your wash without interrupting the cycle. Slam-proof hinge delivers smooth, soft lid closing.

### Electronic Controls

Sleek, modern electronic controls provide cycle status at a glance.

### Stainless Steel Tub

Durable stainless steel tub is built to last.

### Water Plus

Maximizes the water level used during the wash cycle to ensure all items are thoroughly soaked.

### 10 Pre-set Cycles

A variety of pre-sets lets you match the cycle to the garments you're washing: Normal, Delicate, Heavy Duty, Active Wear, Whites, Rinse and Spin, Bulky Items, Tub Clean, Quick Wash, and Spin Only.

# 4.5 Cu. Ft. Top Load Agitator Washer

Model MLV45N1BWW

## SPECIFICATIONS

Models	MLV45N1BWW	
UPC	810004818897	
<b>PERFORMANCE</b>		
DOE	Yes	
ENERGY STAR®	-	
IMEF (cu. ft./kWh/cycle)	1.57	
IWF (gallons/cycle/cu. ft.)	6.5	
Max Spin Speed (RPM)	700	
Vibration Reduction	Friction suspension	
UL Certification	Yes	
<b>FEATURES</b>		
Capacity (cu. ft.)	4.5	
No. of Cycles	10 (Normal, Delicate, Heavy Duty, Active Wear, Whites, Rinse & Spin, Bulky Items, Tub Clean, Quick Wash, Spin Only)	
No. of Options	8 (Delay, Control Lock, Soak, Extra Rinse, Fabric Softener, Water Plus, My Cycle, Signal)	
Automatic Temperature Control	Yes	
Automatic Load Sensing	Yes	
No. of Soil Levels	5 (Extra Heavy, Heavy, Medium, Light, Extra Light)	
No. of Temperature Selections	5 (Hot, Warm, Eco Warm, Cold, Tap, Cold)	
No. of Spin Speeds	5 (Extra High, High, Medium, Low, No Spin)	
Detergent Dispenser	Yes (Detergent, Bleach, Softener)	
Dual Stage Dispenser	Yes	
Delay Start	Yes	
Child Lock	Yes	
Water Plus	Yes	
Extra Rinse	Yes	
Soak	Yes	
Safe Shut Lid	Yes	
Time-Remaining Display	Yes	
End-Of-Cycle Signal	Yes	
<b>ELECTRICAL</b>		
Power Supply	120V/60hz	
Amperage (A)	10	
Voltage (V)	120	
UL Listed	Yes	
Power Cord Included	Yes	
<b>PHYSICAL ATTRIBUTES</b>		
Tub/Drum Material	Stainless Steel	
Included Accessories	Drain Hose, Hose Holder, Hose Clamp, Filter & Screw	
Control Panel	Touch / White	
Lid / Trim	Glass / White	
Color	White	
Dimensions (W*D*H)	in	27 x 29 x 45.7
	cm	68.6 x 73.7 x 116.1
Warranty	Parts & Labor, 1 Year	

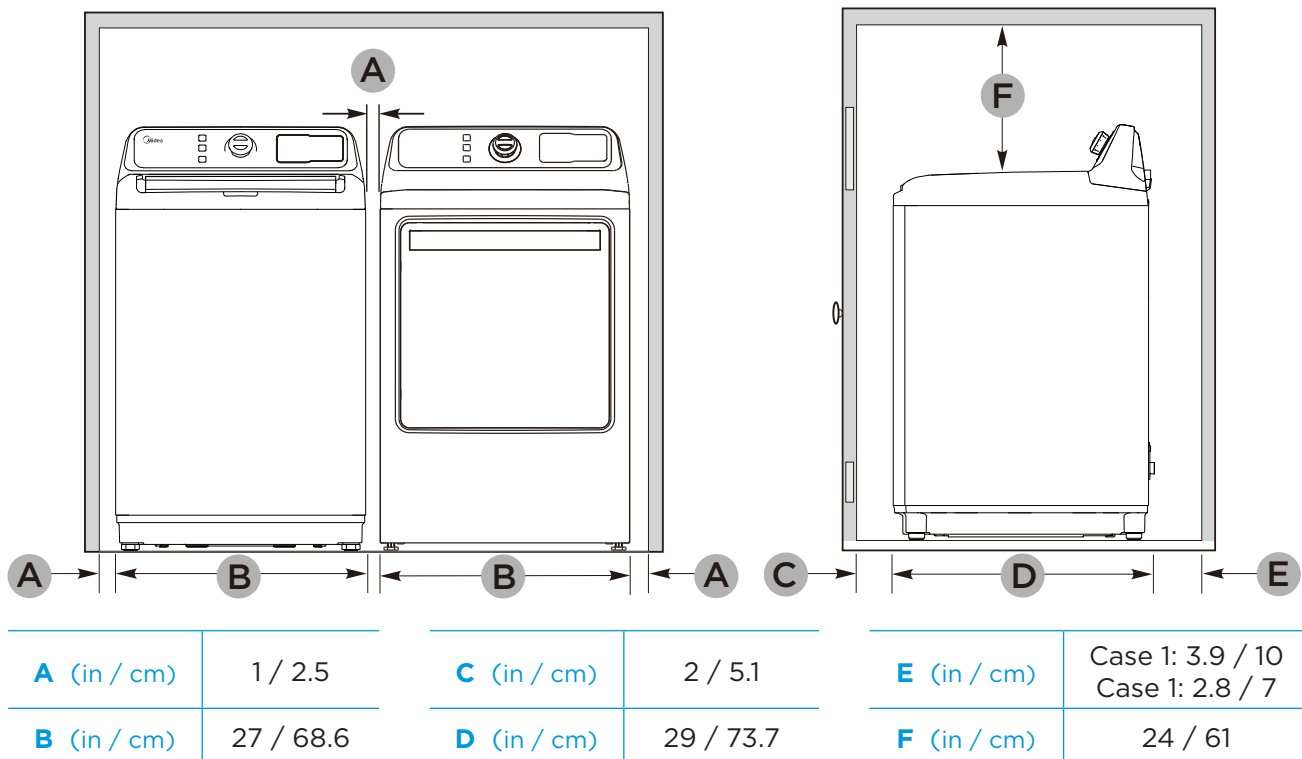
# 4.5 Cu. Ft Top Load Washer & 7.5 Cu. Ft. Dryer

Models MLV45N1BWW, MLE45N1BWW, MLG45N1BWW,  
MLV45N3BWW, MLE45N3BWW, MLG45N3BWW

## Alcove or Closet or Wall Insert/Recessed Installations

### Minimum clearances between the unit and adjacent walls or other surfaces:

Sides (in / cm)	1 / 2.5	Rear (in / cm)	6 / 15.2
Top (in / cm)	24 / 61	Closet Front (in / cm)	2 / 5.1
Gap between the end of water valve and the wall (in / cm)		<b>Case 1:</b> If you connect the supply hose after you install your washer: Over 3.9 in. (10 cm) <b>Case 2:</b> If you connect the supply hose before you install your washer: Over 2.8 in. (7 cm)	



### WARNING

- The dryer must be exhausted to the outside to reduce risk of fire when installed any place inside the house.
- No other fuel-burning appliance should be installed in the same closet as the dryer.



# CONVENIENT DRYING OPTIONS WITH A SINGLE TOUCH

## 7.5 Cu. Ft. Front Load Dryer

MLE45N1BWW 7.5 Cu. Ft. Dryer (Electric)

MLG45N1BWW 7.5 Cu. Ft. Dryer (Gas)

**Our versatile, 7.5 Cu. Ft. Dryer** has 12 pre-set cycles and 5 temperature settings along with a convenient auto-dry feature. The reversible door can be adjusted to open from the left or right for maximum placement versatility.

### Large, 7.5 Cu. Ft. Capacity

Dry everything at once including king-size comforters, towels and linens with the extra-large drum.

### Electronic Controls

Sleek, modern electronic controls provide cycle status at a glance.

### Favorite Cycle

Remembers your favorite dryer settings for one-click convenience.

### Sensor Dry

A sensor detects when your clothes are dry and automatically stops the dryer saving energy.

### Wrinkle Care

Reduce wrinkling by providing extra tumbling in unheated air at the end of the cycle.

### 12 Total Cycles

8 Sensor Dry: Normal, Delicate, Casual, Sanitize, Heavy Duty, Bulky, Towels, and Baby Care

4 Manual: Quick Dry, Time Dry, Air Fluff, and Towel Warmer

# 7.5 Cu. Ft. Front Load Dryer

## Models MLE45N1BWW, MLG45N1BWW

### SPECIFICATIONS

Models		MLE45N1BWW	MLG45N1BWW
Fuel Type		Electric	Gas
UPC		8-10004818903	8-10004818910
Color		White	White
<b>PERFORMANCE</b>			
ENERGY STAR®		-	-
<b>FEATURES</b>			
Capacity (cu. ft.)		7.5	7.5
No. of Cycles	Total	8	8
	Sensor Dry	Normal, Delicate, Casual, Heavy Duty, Bulky	Normal, Delicate, Casual, Heavy Duty, Bulky
	Manual Dry	Quick Dry, Time Dry, Air Fluff	Quick Dry, Time Dry, Air Fluff
No. of Options		4 (My Cycle, Child Lock, Time Adjust, Wrinkle Care)	4 (My Cycle, Child Lock, Time Adjust, Wrinkle Care)
Sensor Dry		Yes	Yes
No. of Dryness Level Selections		4 (Very Dry, More Dry, Normal, Less Dry)	4 (Very Dry, More Dry, Normal, Less Dry)
No. of Temperature Selections		4 (High, Medium, Low, No Heat)	4 (High, Medium, Low, No Heat)
Interior Light(s)		-	-
Lint Filter		Yes	Yes
Lint Filter Indicator Light		Yes	Yes
My Cycle		Yes	Yes
Steam Function		-	-
Reversible Door		Yes	Yes
3-Way Venting		Yes	Yes
Exhaust Vent Location		Rear (Bottom, Left)	Rear (Bottom, Left)
End-Of-Cycle Signal		Yes	Yes
<b>ELECTRICAL</b>			
Voltage (V)		120/240	120
Amperage (A)		30	15
UL Rated		Yes	Yes
Power Cord Included		-	Yes
<b>PHYSICAL ATTRIBUTES</b>			
Tub/Drum Material		Aluminized Alloy Steel	Aluminized Alloy Steel
Drum Rear		Stainless Steel	Stainless Steel
Double Layer Drying Rack		-	-
Control Panel / Color		Dial, Membrane / White	Dial, Membrane / White
Door / Trim		Injection White	Injection White
Color		White	White
Dimensions (W*D*H)	in	27 x 30.1 x 43	27 x 30.1 x 43
	cm	68.6 x 76.5 x 109.2	68.6 x 76.5 x 109.2
Warranty		Parts & Labor, 1 Year	Parts & Labor, 1 Year

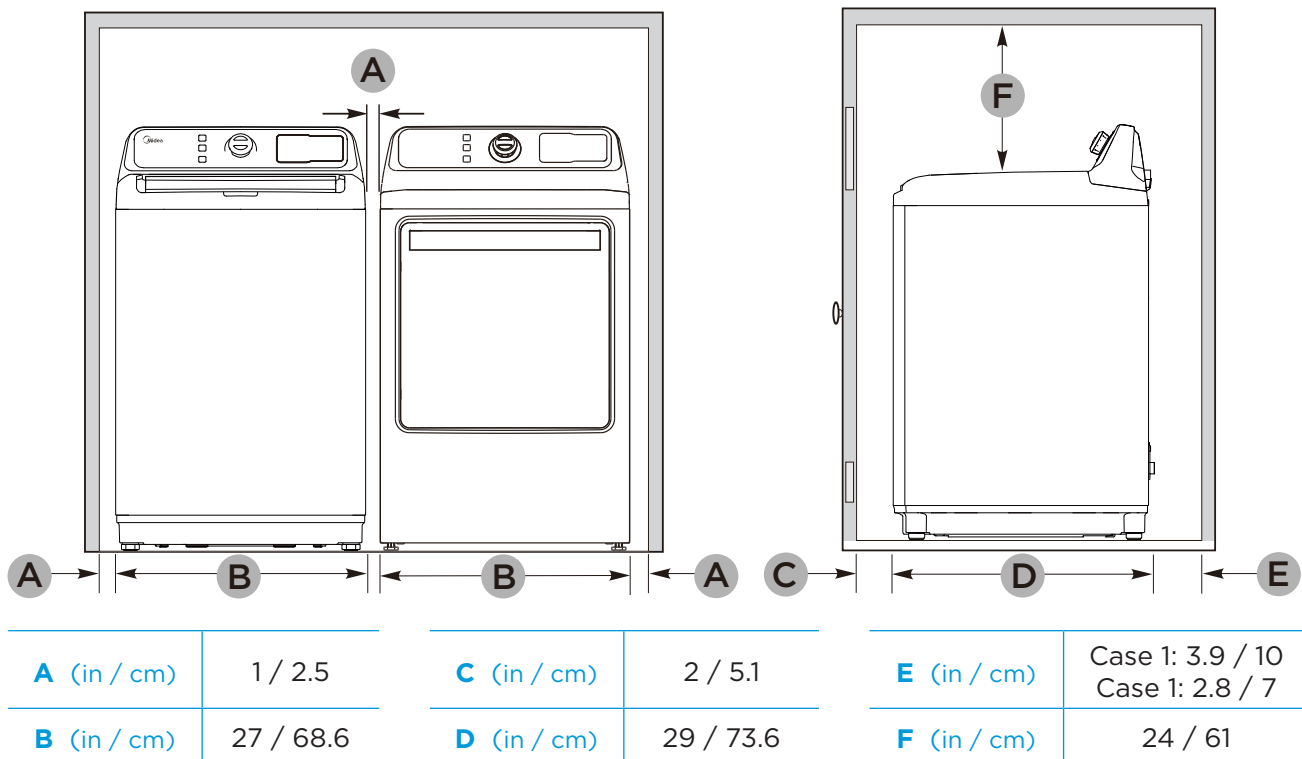
# 4.5 Cu. Ft Top Load Washer & 7.5 Cu. Ft. Dryer

Models MLV45N1BWW, MLE45N1BWW, MLG45N1BWW

## Alcove or Closet or Wall Insert/Recessed Installations

### Minimum clearances between the unit and adjacent walls or other surfaces:

Sides (in / cm)	1 / 2.5	Rear (in / cm)	6 / 15.2
Top (in / cm)	24 / 61	Closet Front (in / cm)	2 / 5.1
Gap between the end of water valve and the wall (in / cm)		<b>Case 1:</b> If you connect the supply hose after you install your washer: Over 3.9 in. (10 cm) <b>Case 2:</b> If you connect the supply hose before you install your washer: Over 2.8 in. (7 cm)	



### WARNING

- The dryer must be exhausted to the outside to reduce risk of fire when installed any place inside the house.
- No other fuel-burning appliance should be installed in the same closet as the dryer.