



Range Hood Instruction Manual

FRHWM5002-30



IMPORTANT:

READ AND SAVE THESE INSTRUCTIONS

NOTICE:

Installer: Leave this guide with the homeowner

Homeowner: Keep this guide for future reference

INDEX

CUSTOMER CARE	1
SERVICE INFORMATION	1
SAFETY INFORMATION	2
USE	3
CARE AND CLEANING	3
LED LIGHTS	4
CONTROLS	4
PRODUCT AND ACCESSORIES	5
INSTALLATION MANUAL	6
TROUBLESHOOTING	13

CUSTOMER CARE

Thank you for purchasing a FORNO product. Please read the entire instruction manual before operating your new appliance for the first time. Whether you are an occasional cook or an expert chef, it will be beneficial to familiarize yourself with the safety practices, features, operation, and care recommendations of your cooking range.

Both the model and serial number are listed in the front panel of the product. For warranty purposes, you will also need the date of purchase. Record this information below for future reference.

SERVICE INFORMATION

Model Number:

Use these numbers in any correspondence or service calls concerning your cooking range.

Serial Number:

If you received a damaged range hood, immediately contact **FORNO** customer service, they will be able to guide through the procedure to follow.

Date of Purchase:

Purchase Address & Phone:

Save time and money. Before you call for service, check the Troubleshooting Guide. It lists the causes of minor operating problems that you can correct yourself.

SERVICE IN CANADA & THE UNITED STATES:

Keep the instruction manual handy to answer your questions. If you don't understand something or need more assistance, please call our Customer Service: 1-866-231-8893 opt. 2 ext.214

Or email: mysupport@forno.ca

If your product ever requires servicing, be sure to use a **FORNO** Factory Certified Service provider recommended by our customer care center. All Factory Certified Service providers are carefully selected and thoroughly trained by us.

SAFETY INFORMATION

For your safety and correct operation of the appliance, read this manual carefully before installation and use. Always keep these instructions with the appliance even if you move or sell it. Users must fully know the operation and safety features of the appliance.

 **THE WIRE CONNECTION MUST BE DONE BY SPECIALIZED TECHNICIAN**

The manufacturer will not be held liable for any damages resulting from incorrect or improper installation.

The minimum safety distance between the cooker top and the extractor hood is 25" (some models can be installed at a lower height, please refer to the paragraphs on working dimensions and installation).

If the instructions for installation for gas hob specify a greater distance, this must be respected.

Check that the mains voltage corresponds to that indicated on the rating label fixed to the inside of the hood.

Means for disconnection must be incorporated in the fixed wiring in accordance with the wiring rules.

For Class I appliances, check that the domestic power supply guarantees adequate earthing.

Connect the extractor to the exhaust flue through a pipe of minimum diameter 6". The route of the flue must be as short as possible.

Regulations concerning the discharge of air must be fulfilled.

Do not connect the extractor hood to exhaust ducts carrying combustion fumes (boilers, fireplaces, etc.).

If the extractor is used in conjunction with non-electrical appliances (e.g., gas burning appliances), a sufficient degree of aeration must be guaranteed in the room to prevent the backflow of exhaust gas.

When the cooker hood is used in conjunction with appliances supplied with energy other than electric, the negative pressure in the room must not exceed 0.04mbar to prevent fumes being drawn back into the room by the cooker hood.


The air must not be discharged into a flue that is used for exhausting fumes from appliances burning gas or other fuels.

If the supply cord is damaged, it must be replaced from the manufacturer or its service agent.

Connect the plug to a socket complying with current regulations, located in an accessible place.

With regards to the technical and safety measures to be adopted for fume discharging.

It is important to closely follow the regulations provided by the local authorities.

 **WARNING:** Before installing the Hood, remove all the protective films.

Use only screws and small parts in support of the hood.

 **WARNING:** Failure to install the screws or fixing device in accordance with these instructions may result in electrical hazards.

Do not look directly at the light through optical devices (binoculars, magnifying glasses...).

Do not flambe under the range hood; risk of fire.

This appliance can be used by children aged from 16 years and above and persons with reduced physical, sensory, or mental capabilities or lack of experience and knowledge if they have been given supervision or instruction concerning use of the appliance in a safe way and understand the hazards involved. Children shall not play with the appliance. Cleaning and user maintenance shall not be made by children without supervision.

Children should be supervised to ensure that they do not play with the appliance.

The appliance is not to be used by persons (including children) with reduced physical, sensory, or


mental capabilities, or lack of experience and knowledge, unless they have been given supervision or instruction.

 **ACCESSIBLE PARTS MAY BECOME HOT WHEN USED WITH COOKING APPLIANCES.**

Clean and/or replace the Filters after the specified period (Fire hazard). See paragraph Care and Cleaning.

There shall be adequate ventilation of the room when the range hood is used at the same time as appliances burning gas or other fuels (not applicable to appliances that only discharge the air back into the room).



The symbol  on the product or on its packaging indicates that this product may not be treated as household waste. Instead, it shall be handed over to the applicable collection points for the recycling of electrical and electronic equipment. By ensuring this product is disposed of correctly, you will help prevent potential negative consequences for the environment and human health, which could otherwise be caused by inappropriate waste handling of this product. For more detailed information about recycling of this product, please contact your local city office, your household waste disposal service, or the shop where you purchased the product.

USE

The extractor hood has been designed exclusively for domestic use to eliminate kitchen smells.

Never use the hood for purposes other than for which it has been designed.

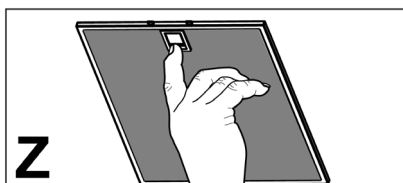
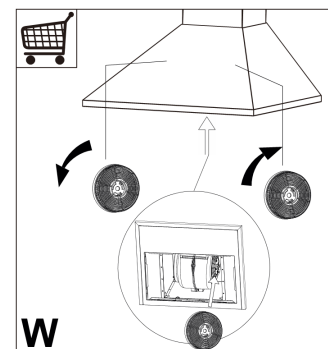
Never leave high naked flames under the hood when it is in operation.

Adjust the flame intensity to direct it onto the bottom of the pan only, making sure that it does not engulf the sides. Deep fat fryers must be continuously monitored during use: overheated oil can burst into flames.

CARE AND CLEANING

The charcoal filter (not included) is **not washable** and cannot be regenerated and must be replaced approximately every **4 months** of operation, or more frequently for particularly heavy usage. (W)

The Grease filters must be cleaned every 1 month of operation, or more frequently for particularly heavy usage, and can be washed in a dishwasher (Z).



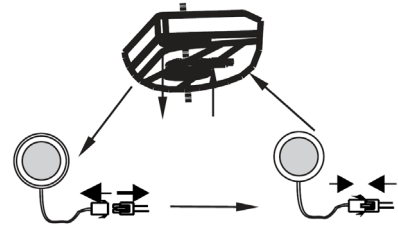
Clean the hood using a damp cloth and a neutral liquid detergent.

LED LIGHTS

ALWAYS SWITCH OFF THE ELECTRICITY SUPPLY AT THE MAIN PANEL BEFORE CARRYING OUT ANY OPERATION ON THE APPLIANCE.

To change the bulbs

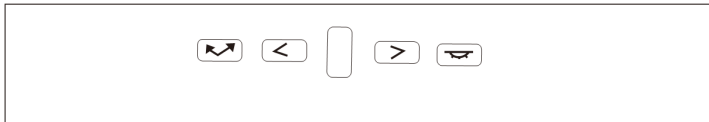
1. Open the filter and find the spring of the light, push the spring and the lights will be slip out.







⚠ CAUTION: BULB MAY BE HOT. PLEASE TAKE OUT THE BULB WHEN IT IS COMPLETELY COOL!

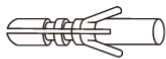
2. Replace with a 12Volt, 1.5Watt max, LED lights. **⚠ Do not touch replacement bulb with bare hands!**

CONTROLS



BUTTON	FUNCTIONS
	Default delay timer is 5 min.s, press 2 sec until the display blinking, then adjust 1-9 delay timer.
	Decrease the speed until off.
	Start the motor with 1-2-3 speed.
	Turn the Lighting System on and off.

PRODUCT AND ACCESSORIES



I = 9x

M4X30mm

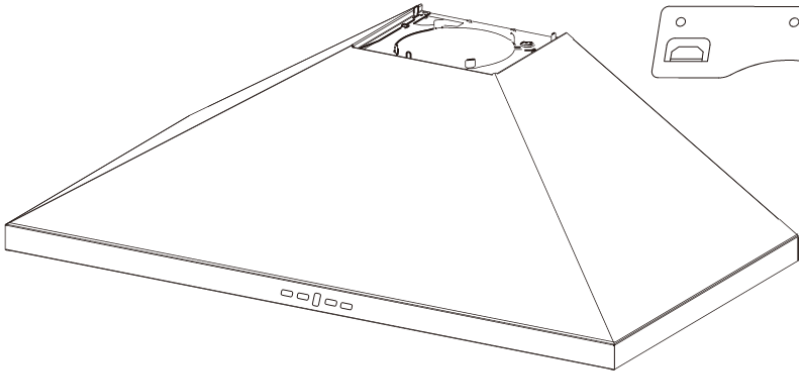
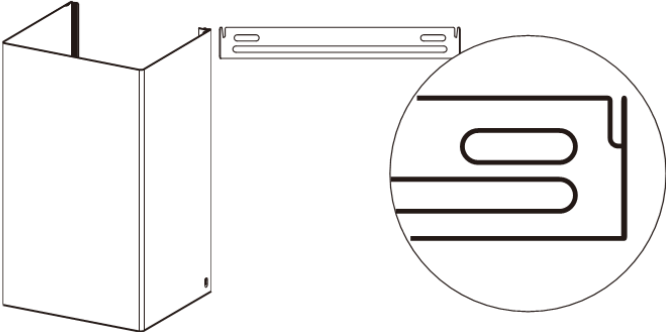
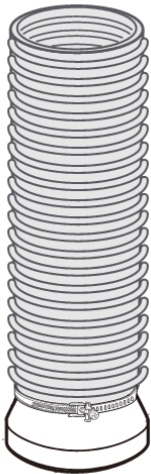
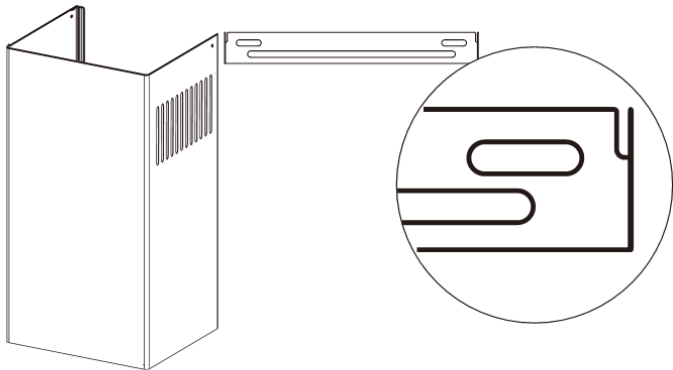


L = 9x

M3X6mm



N = 2x

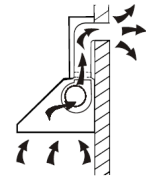


INSTALLATION MANUAL

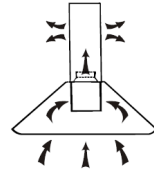
Warning! Before processing with installation, read the Recommendations and Suggestions in the User Manual.

Prepare for installation

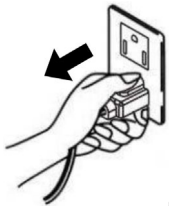
A. If you have an outlet to the outside (vent outside), your cooker hood can be connected by means of an extraction duct (with an interior diameter of 6" or 150mm)



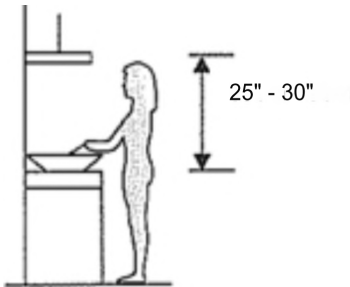
B. If you do not have an outlet to the outside (vent inside), exhaust pipe is not required



C. Before installation, turn the unit off and unplug it from the outlet.



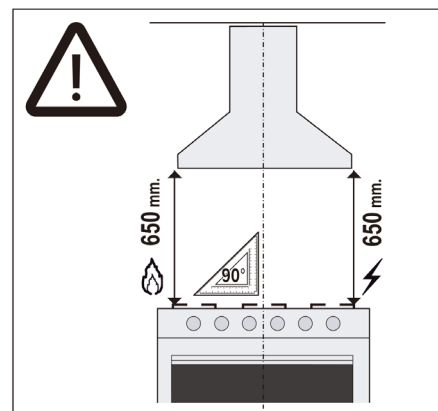
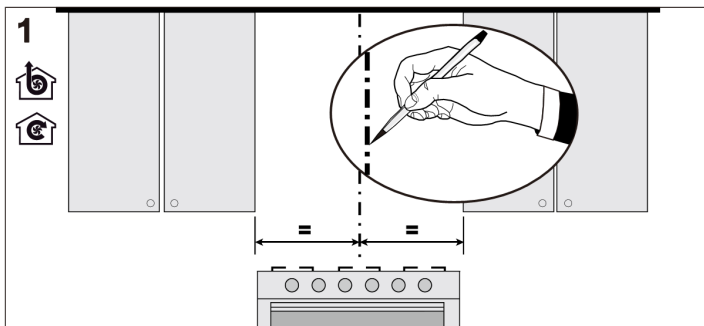
D. The cooker hood should be placed at 25"-30" (65~75cm) above the cooking area for maximum efficiency.

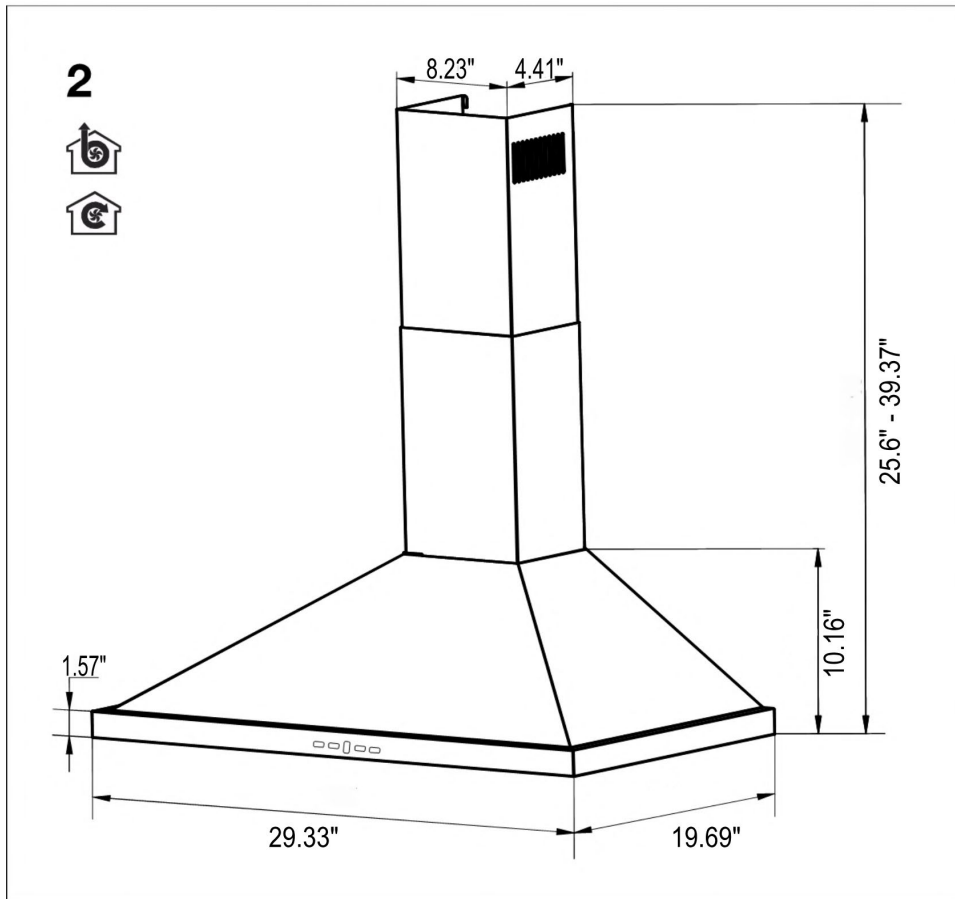


Cooker hood Installation:

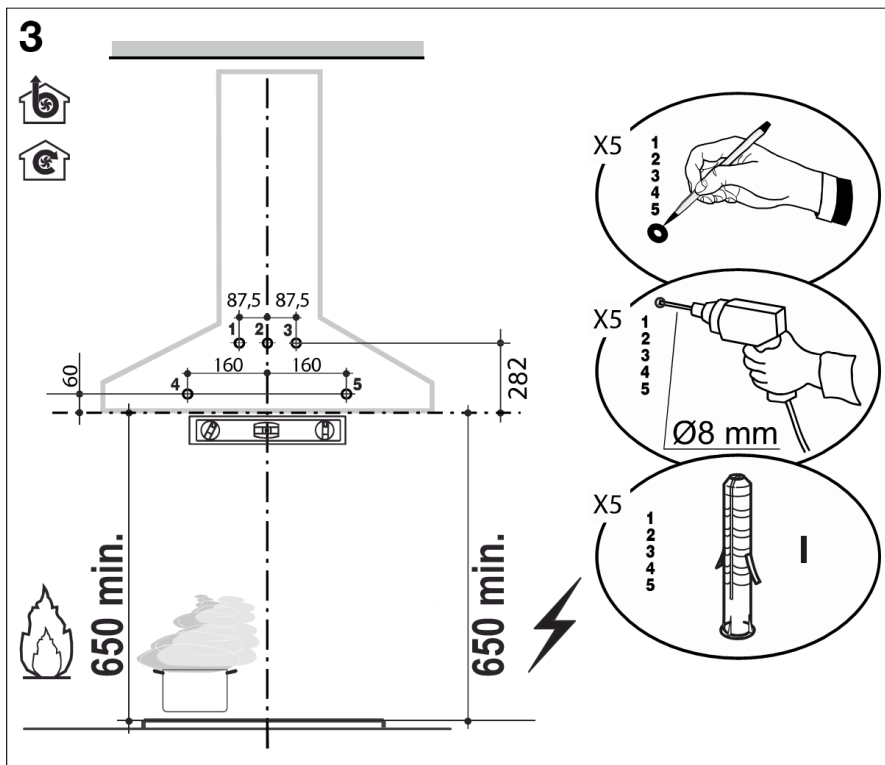
Attention! Observe the warning in the instruction sheet concerning the operation of the appliance when air is discharged from the room.

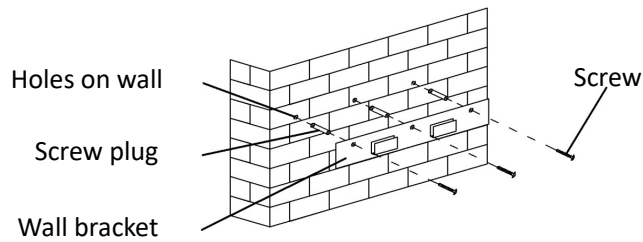
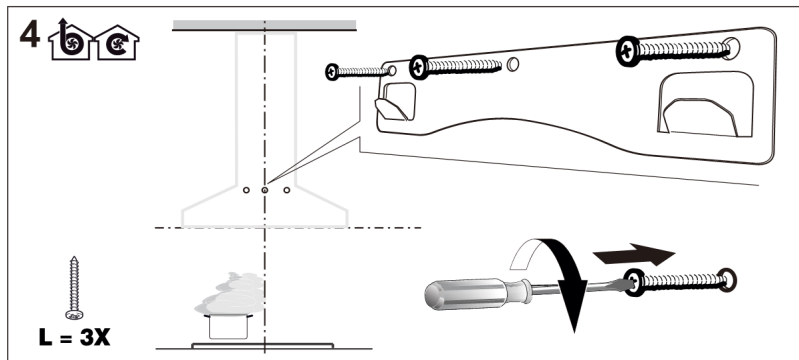
Draw center line before installation. (Fig.1)



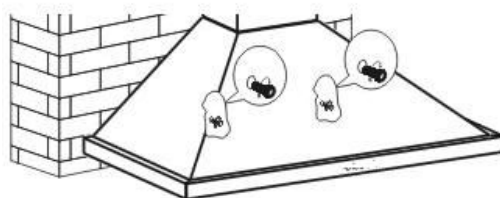


Drill 3 holes to accommodate the bracket. Screw and tighten the bracket onto the wall with the screws & screw plugs provided. (Fig. 3 & 4)

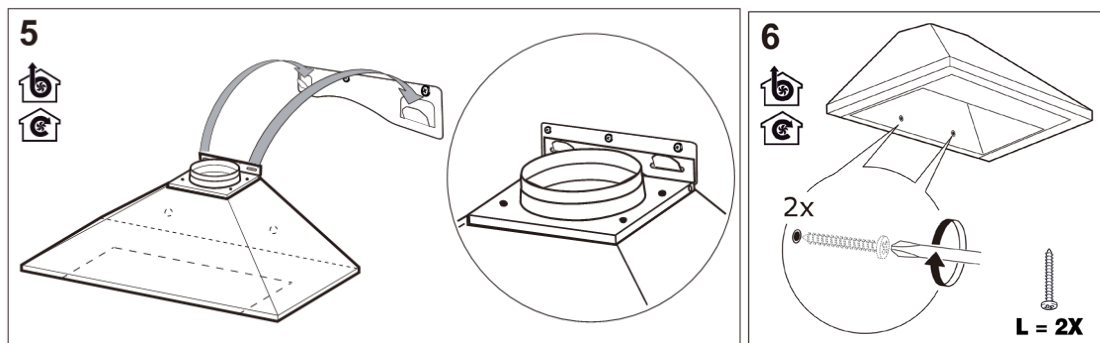




Drill 2 extra holes for fixing screws & screw plugs, to connect the hood onto the wall. (Fig.6)

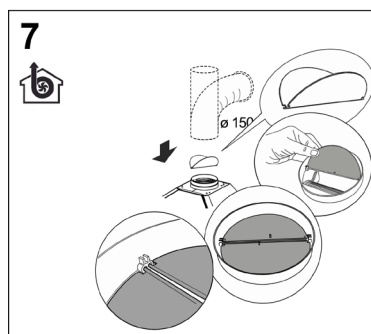


Lift the cooker hood and hang onto the wall bracket hook. (Fig.5)



Fix the one-way-valve to the air outlet of the cooker hood. The exhaust pipe can be attached onto the one-way-valve as shown. (Fig.7)

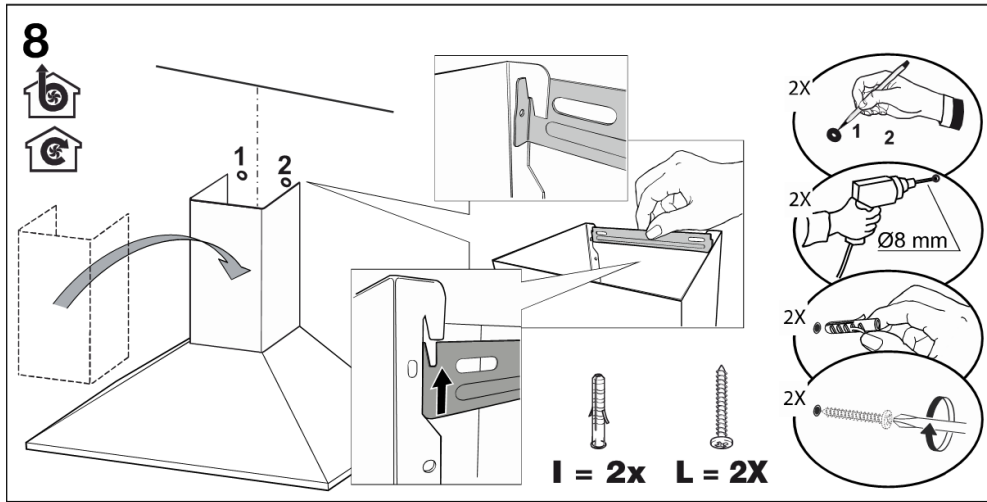
*Do not attach the exhaust pipe to the one-way-valve before installing the chimney.



Chimney installation

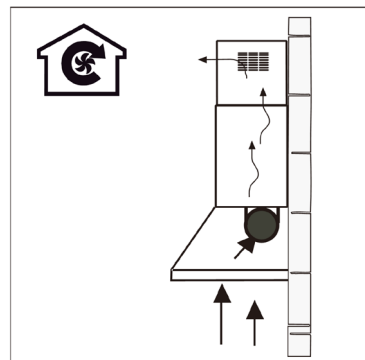
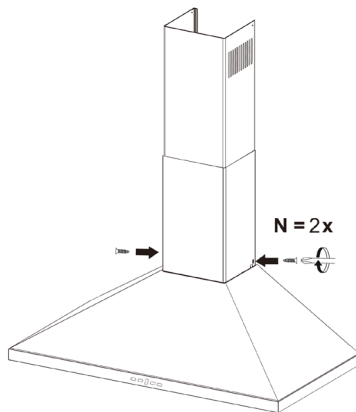
*There are 2 chimney brackets, one is slightly shorter for the lower chimney. The longer bracket is for upper chimney.

Drill 2 holes to tighten the shorter bracket on the wall by screws. Hang the lower chimney on the bracket. (Fig.8)

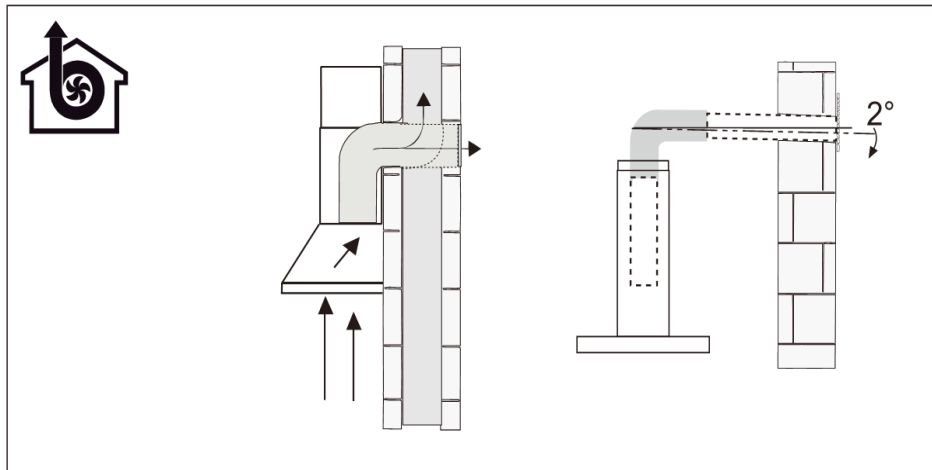


Drill 2 holes to tighten the longer bracket on the wall by screws for the upper chimney. Put the upper chimney into lower chimney. Then slide it up to reach the height required. Tighten the longer bracket with screws. (Fig.9)

If you do not have an outlet to the outside (vent inside), exhaust pipe is not required. Tightened the lower chimney to the hood with 2 screws. The chimney installation for vent inside is done.

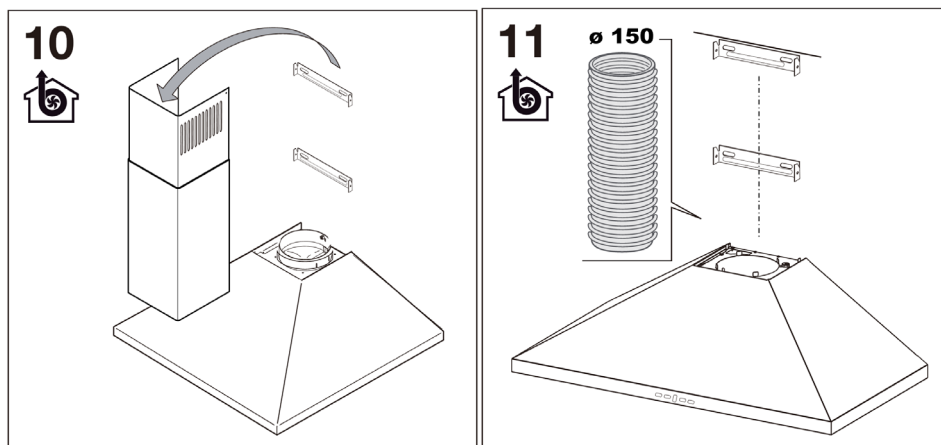


If you have an outlet to the outside (vent outside), your cooker hood can be connected by means of an extraction duct (with an interior diameter of 6" or 150mm)



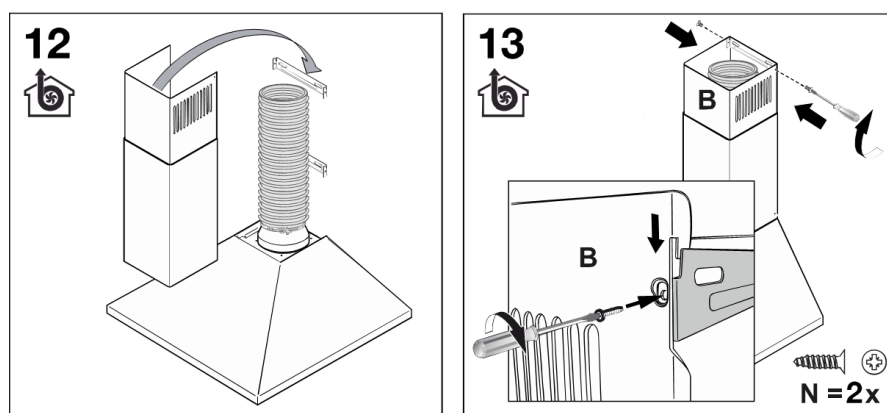
Take the upper and lower chimneys off from the brackets. (Fig.10)

Attach the exhaust pipe onto the one-way-valve. (Fig.11)

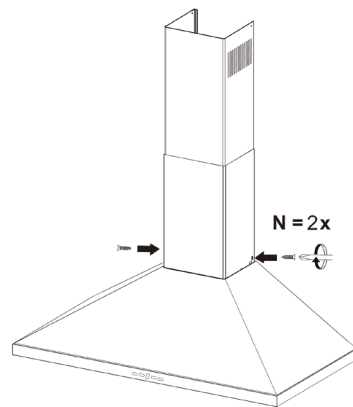


There are alternative ways to attach the upper chimney to the bracket.

You may either hang the lower and upper chimneys onto the brackets (Fig.12), or lock the chimney to the bracket by 2 screws at two sides (Fig.13)



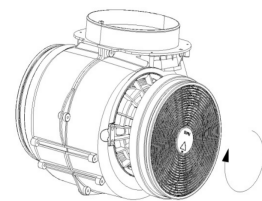
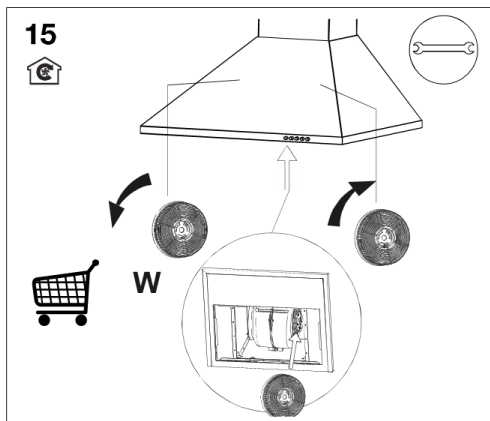
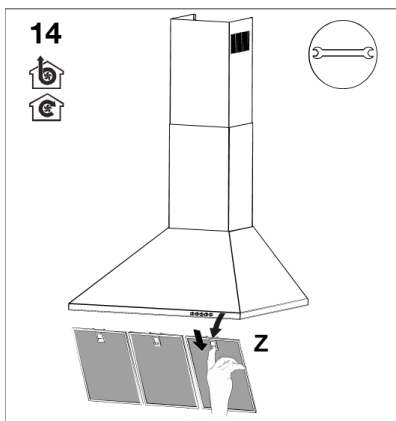
Tightened the lower chimney to the hood with 2 screws. The chimney installation for vent outside is done.



*For vent inside

Charcoal filter (not included) can be used to trap odors. To install the charcoal filter, need to disassemble the grease filter by pressing the lock and pull it downward. (Fig.14)

Plug the charcoal filter into the unit and turn it clockwise to lock. Repeat the same on the other side. Put the grease filter back to the cooker hood and make sure it is locked properly. (Fig. 15)



IMPORTANT:

Make sure all filters are securely locked. Loosen filters may cause dangerous.

When charcoal filter is installed, the exhaust power will be less.

TROUBLESHOOTING

Failure	Cause	Solution
Light on, but fan does not work	The fan blade is jammed.	Switch of the unit and repair by qualified service personnel only.
	The motor failure.	
Both light and fan do not work	light bulb burn.	Replace the bulb with correct rating.
	Power cord is not connected properly.	Check the plug to make sure it is connected to the power supply properly.
Serious Vibration of the unit	The fan blade is damaged.	Switch off the unit and repair by qualified service personnel only.
	The fan motor is not installed properly.	Switch off the unit and repair by qualified service personnel only.
	The unit is not hung properly on the bracket.	Take off the unit and check whether the bracket is in proper location.
Suction performance not good	The distance between the unit and the cooking plane is not within 65-75cm	Adjust the distance to 65-75cm.