

# 30" Custom Insert

300 Series – Stainless Steel HUI30253UC



**HUI30253UC**  
Stainless Steel

**The 30" custom insert blends with custom cabinetry while a high speed setting removes odors quickly and effectively.**

## Features & Benefits

4 speed levels allow you to adjust the performance of your hood to match the type of cooking.

Quietly and efficiently filters grease and other solid particles out of the extracted air.

LED lighting brightly illuminates the cooking area.

The dishwasher-safe mesh filters make cleanup easy and convenient.

With Home Connect™, the hood automatically adjusts the power level to match your Bosch induction cooktop power.

## General Properties

Operating mode	Ducted or recirculating
Maximum CFM (blower)	300 CFM
CFM (HVI)	280 BS / 180 HS / 100 WS
Sones (HVI)	3.5 BS / 1.5 HS / 0.3 WS
Number of speed settings	4-stage
Motor location	Integrated motor in hood body
Number of lights	2
Bulb type	LED
Light lumens	100 – 150
Light color	3500 – 4000° K
Total power of the lamps	6 W
Damper included	Yes
Grease filter material	Aluminum (dishwasher safe)
Grease filter type	Mesh with stainless steel cover
Home Connect™ (Wi-Fi enabled)	Yes



## Technical Details

Watts	157 W
Current	15 A
Volts	120 V
Frequency	60 Hz
Plug type	Hardwire

## Dimensions & Weight

Overall appliance dimensions (width of canopy included) (HxWxD)	10 1/2" x 26 1/2" x 10 5/8"
Minimum distance above cooktop/range cooking surface	24" Electric 30" Gas
Diameter of air duct (top)	6"
Net weight	24 lbs.

## Accessories – Optional

Charcoal Filter Kit	HUIFILTOUC
---------------------	------------

BS=Boost Speed; HS=High Speed; WS=Working Speed



Installed in skirted cabinets



Installed in European style cabinets

**Accessories:** To purchase Bosch accessories, cleaners & parts please visit [www.bosch-home.com/us/store](http://www.bosch-home.com/us/store) or call 1-800-944-2904 (Mon to Fri 5 am to 6 pm PST, Sat 6 am to 3 pm PST).

**Notes:** All height, width and depth dimensions are shown in inches. BSH reserves the absolute and unrestricted right to change product materials and specifications, at any time, without notice. Consult the product's installation instructions for final dimensional data and other details prior to making cutout.

**Warranties:** Please see Use & Care manual or Bosch website for statement of limited warranty.

**For more information on our entire line of products, go to [www.bosch-home.com/us](http://www.bosch-home.com/us) or call 1-800-944-2904**

© BSH Home Appliances Corporation. All rights reserved. Bosch is a registered trademark of Robert Bosch GmbH.

# 30" Custom Insert

300 Series – Stainless Steel HUI30253UC



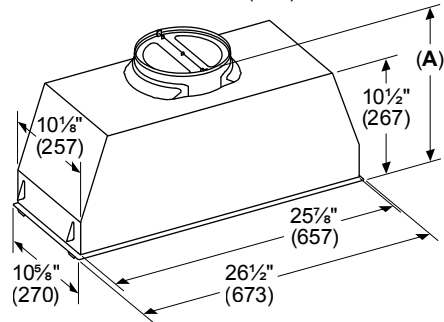
**BOSCH**

Invented for life

## Installation Details

### HOOD DIMENSIONS

measurements in inches (mm)

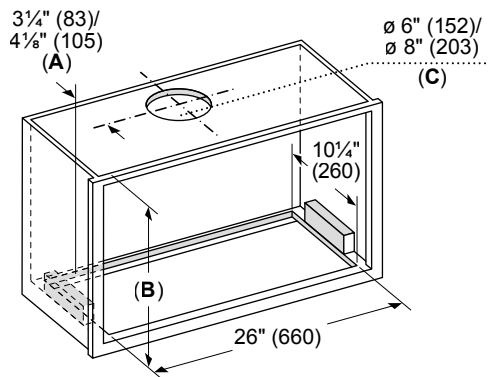


**A: Total Height:**

- with 6" duct transition = 12 3/4" (324),
- with 8" duct transition = 12 5/8" (321)

### CUTOUT FOR INSERT

measurements in inches (mm)



- A:** Location of duct opening (from back inside edge of cabinet)
- B:** Min. height for vertical discharge = 15" (381), Min. height for horizontal discharge or recirculation = 23" (584)
- C:** Pending model/ blower size

**Accessories:** To purchase Bosch accessories, cleaners & parts please visit [www.bosch-home.com/us/store](http://www.bosch-home.com/us/store) or call 1-800-944-2904 (Mon to Fri 5 am to 6 pm PST, Sat 6 am to 3 pm PST).

**Notes:** All height, width and depth dimensions are shown in inches. BSH reserves the absolute and unrestricted right to change product materials and specifications, at any time, without notice. Consult the product's installation instructions for final dimensional data and other details prior to making cutout.

**Warranties:** Please see Use & Care manual or Bosch website for statement of limited warranty.

**For more information on our entire line of products, go to [www.bosch-home.com/us](http://www.bosch-home.com/us) or call 1-800-944-2904**

© BSH Home Appliances Corporation. All rights reserved. Bosch is a registered trademark of Robert Bosch GmbH.