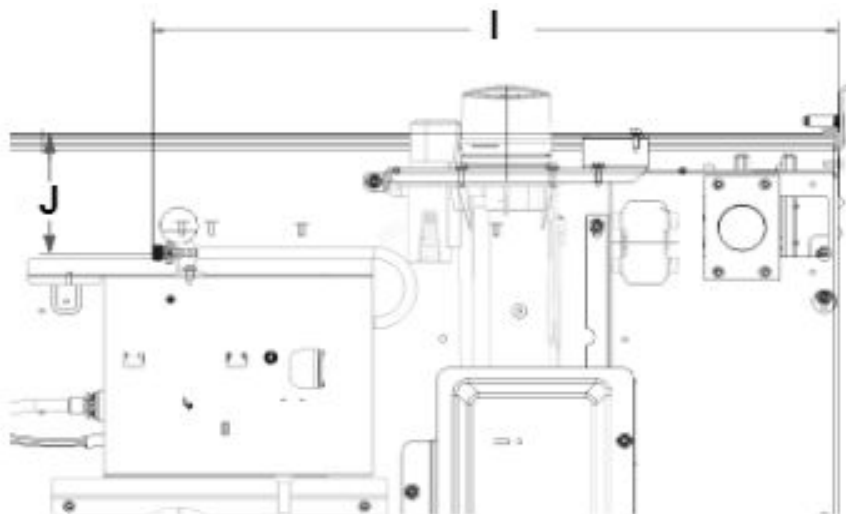
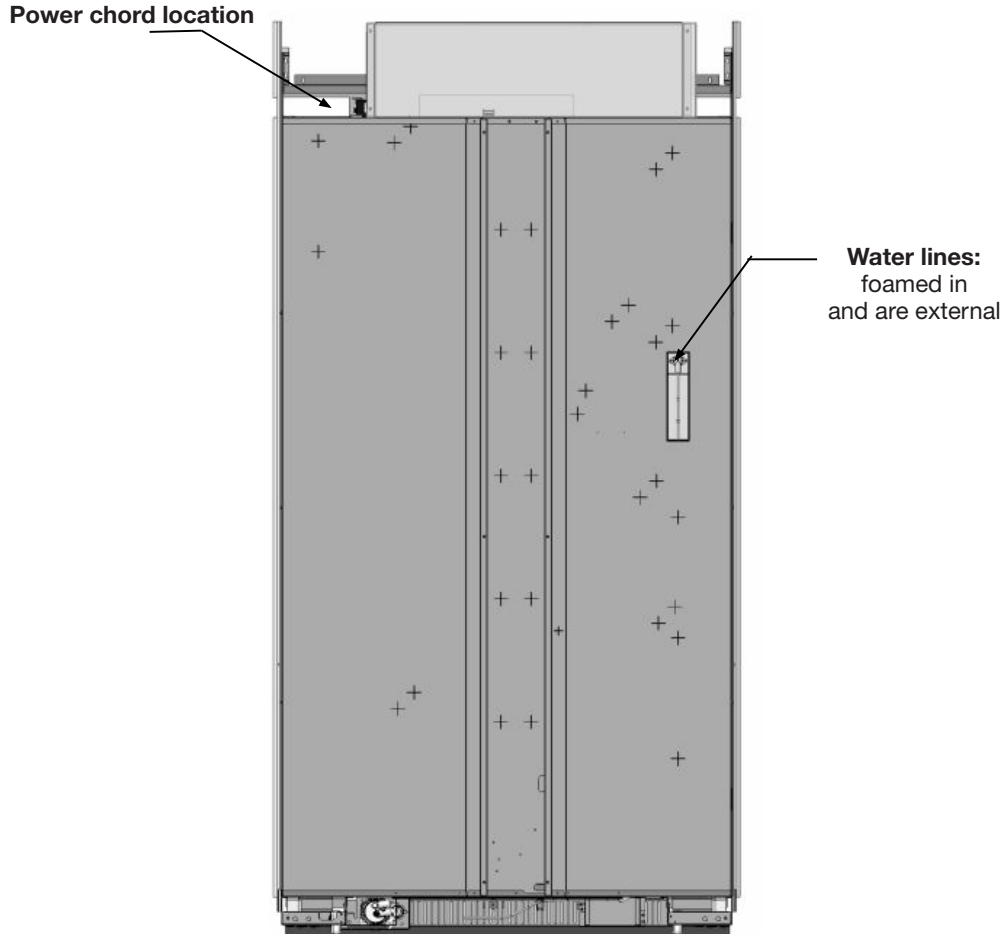


Description		Inches (cm)
A	Width of FC door	
	42" 48"	17 ³ / ₁₆ " (43.7) 19 ³ / ₄ " (50.1)
B	Width of RC door	
	42" 48"	23 ¹ / ₄ " (59) 26 ³ / ₄ " (67.9)
C	Space between doors	1/2" (1.3)
D	Total height	83 ⁷ / ₁₆ " (211.9)
E	Height of doors	71" (180.5)
F	Height of grille	3 ⁹ / ₁₆ " (9.0)
G	To bottom of solid soffit (minimum/maximum)	83 ¹ / ₂ " (212.1) 84 ⁵ / ₈ " (215)
	H	Overall width with side trims
	42" 48"	42 ³ / ₈ " (107.6) 48 ³ / ₈ " (122.8)
I	Water line location distance from side	17 ³ / ₄ " (45.0)
J	Water line location distance from front	3 ¹ / ₄ " (8.2)



Because Whirlpool Corporation policy includes a continuous commitment to improve our products, we reserve the right to change materials and specifications without notice. Dimensions are for planning purposes only. For complete details, see Installation Instructions packed with product. Specifications subject to change without notice.



Electrical Requirements

⚠ WARNING

Electrical Shock Hazard

Plug into a grounded 3 prong outlet.

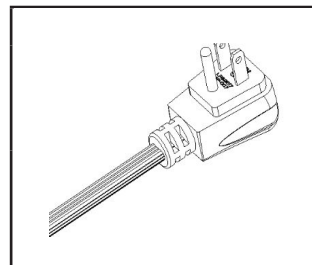
Do not remove ground prong.

Do not use an adapter.

Do not use an extension cord.

Failure to follow these instructions can result in death, fire, or electrical shock.

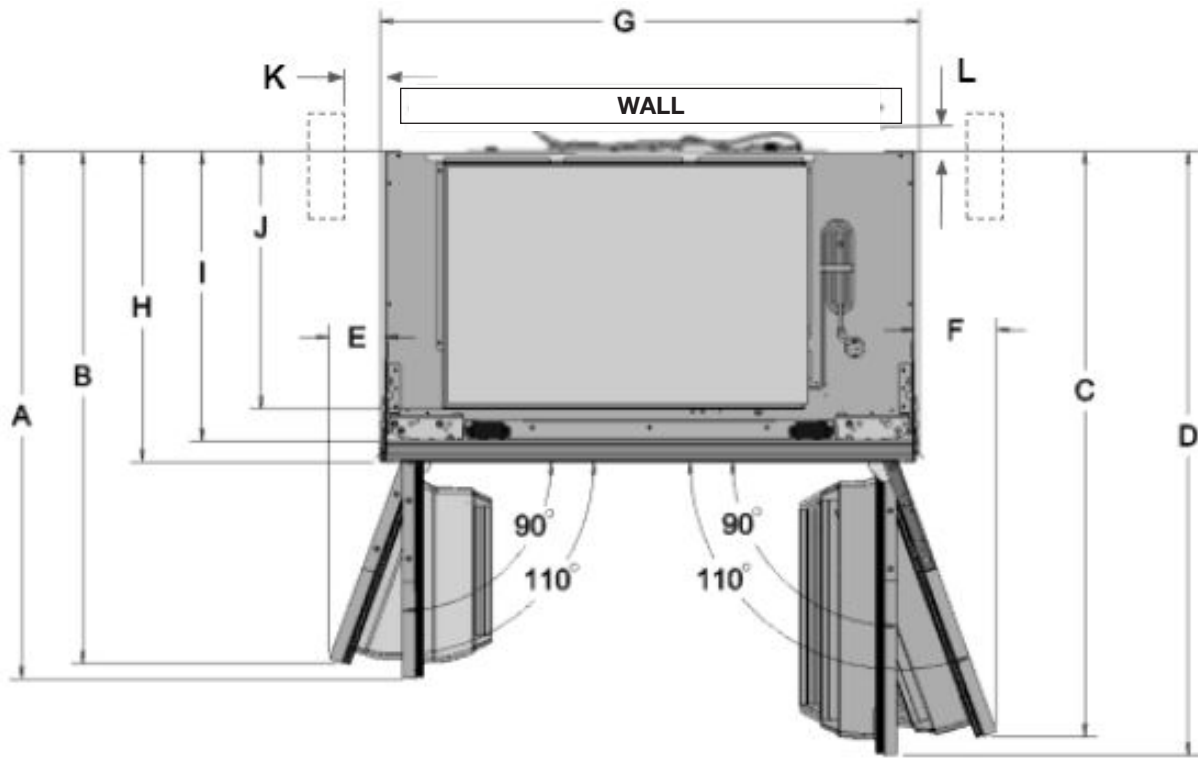
Type	Power chord	
	Length	
	Inches (cm)	
Standard	60" (152.5)	



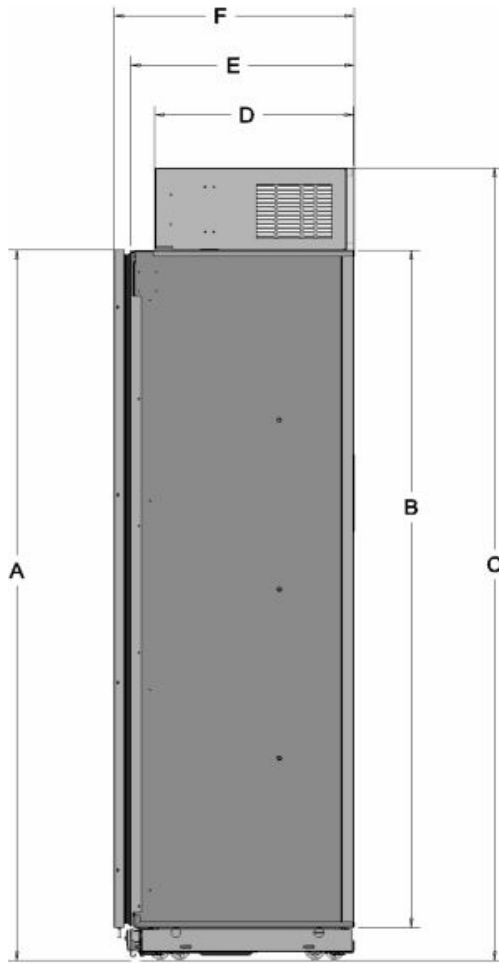
Electrical: A 115V, 60 Hz AC only, 15A or 20A fused, grounded electrical supply is required. It is recommended that a separate circuit serving only your refrigerator be provided. Use an outlet that cannot be turned off by a switch. Do not use an extension cord.

Water: A cold water supply with water pressure of between 30 psi and 120 psi (207 kPa and 827 kPa) is required to operate the water dispenser and ice maker. If you have questions about your water pressure, call a licensed, qualified plumber.

Because Whirlpool Corporation policy includes a continuous commitment to improve our products, we reserve the right to change materials and specifications without notice. Dimensions are for planning purposes only. For complete details, see Installation Instructions packed with product. Specifications subject to change without notice.



Description		Inches (cm)
A	Depth with FC door open 90°	
	42" 48"	40 ¹³ / ₁₆ " (103.7) 43 ¹ / ₈ " (109.6)
B	Depth with FC door open 110°	
	42" 48"	39 ⁵ / ₈ " (100.7) 41 ¹⁵ / ₁₆ " (106.5)
C	Depth with RC door open 110°	
	42" 48"	45 ⁵ / ₁₆ " (115.1) 48 ⁹ / ₁₆ " (123.4)
D	Depth with RC door open 90°	
	42" 48"	46 ³ / ₄ " (118.7) 50 ¹ / ₄ " (127.6)
E	From FC side of refrigerator to edge - door fully open 110°	
	42" 48"	4 ⁵ / ₁₆ " (10.9) 5 ³ / ₁₆ " (13.1)
F	From RC side of refrigerator to edge - door fully open 110°	
	42" 48"	6 ³ / ₈ " (16.2) 7 ⁹ / ₁₆ " (19.2)
G	Cabinet Width	
	42" 48"	41" (104.1) 47" (119.3)
H	Depth with doors	24" (61)
I	Depth without doors	22 ³ / ₈ " (56.8)
J	Depth to machine compartment cover	19 ¹⁵ / ₁₆ " (50.6)
K	Space required for side cabinet	6" (15.24)
L	Space required for water lines and power chord	1" (2.54)



Description		Inches (cm)
A	Height to top of doors	74 ⁹ / ₁₆ " (189.4)
B	Height of Cabinet	71" (180.4)
C	Height to top of machine compartment cover	83 ³ / ₁₆ " (211.3)
D	Depth to machine compartment cover	19 ¹⁵ / ₁₆ " (50.6)
E	Depth without doors	22 ³ / ₈ " (56.8)
F	Depth with doors	24" (61)

Interior dimensions	Width Inches (cm)	Height Inches (cm)
Refrigerator Compartment		67 ¹ / ₁₆ " (170.4)
42"	20 ¹³ / ₁₆ " (52.9)	
48"	24 ⁵ / ₁₆ " (61.8)	
Freezer Compartment		66 ³ / ₄ " (169.6)
42"	14 ⁵ / ₁₆ " (36.4)	
48"	16 ¹³ / ₁₆ " (42.7)	

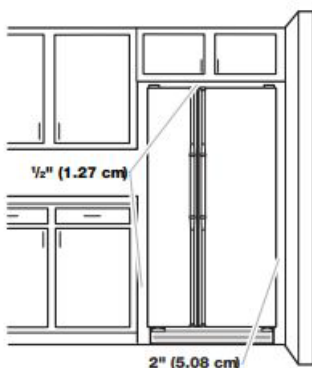
Location Requirements

⚠ WARNING

Explosion Hazard

Keep flammable materials and vapors, such as gasoline, away from refrigerator.

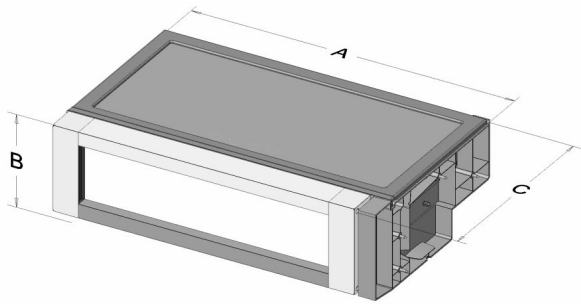
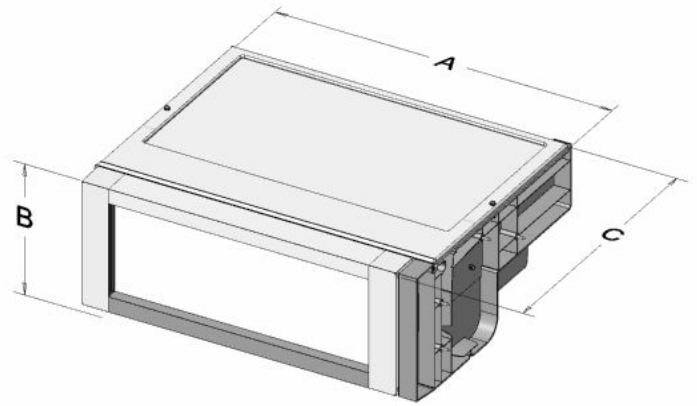
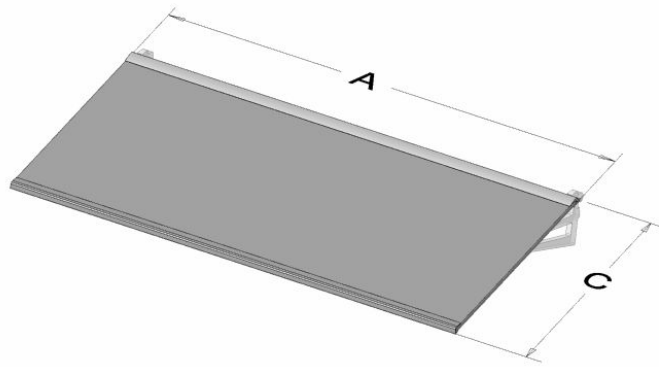
Failure to do so can result in death, explosion, or fire.



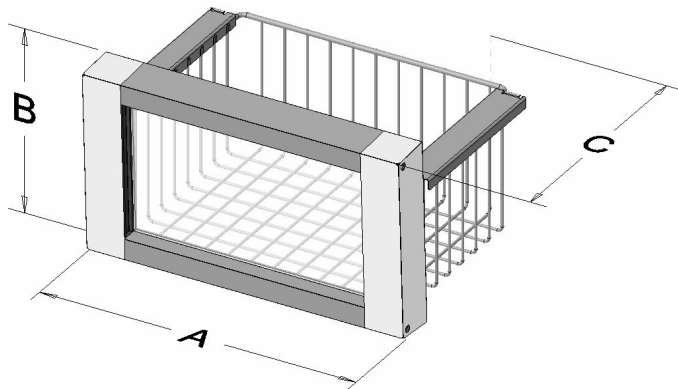
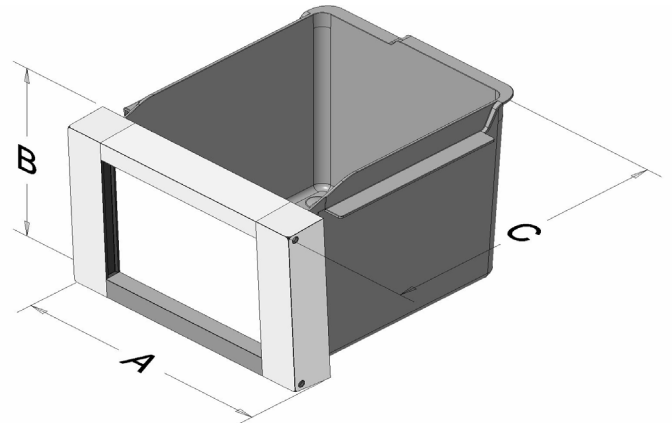
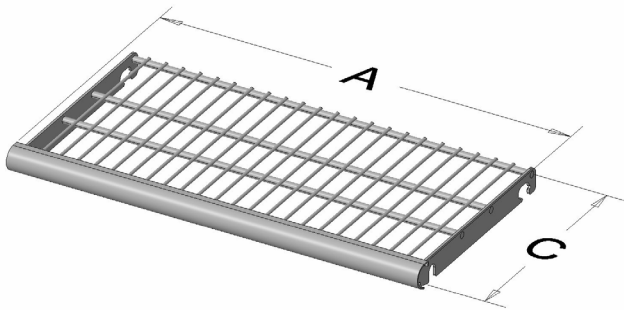
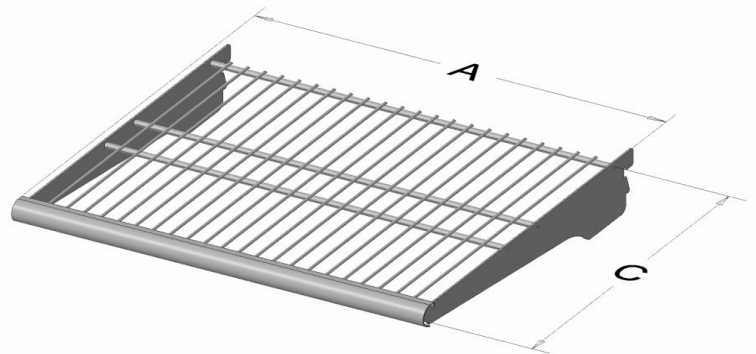
To ensure proper ventilation for your refrigerator, allow for 1/2" (1.27 cm) of space on each side and at the top. Allow for 1" (2.54 cm) of space behind the refrigerator. If your refrigerator has an ice maker, allow extra space at the back for the water line connections. When installing your refrigerator next to a fixed wall, leave a 2" (5.08 cm) minimum space on each side (depending on your model) to allow the doors to swing open.

NOTES:

- This refrigerator is intended for use in a location where the temperature ranges from a minimum of 55°F (13°C) to a maximum of 110°F (43°C). The preferred room temperature range for optimum performance, which reduces electricity usage and provides superior cooling, is between 60°F (15°C) and 90°F (32°C). It is recommended that you do not install the refrigerator near a heat source, such as an oven or radiator.
- Normal minimum cabinet cut-out width required for product installation is 36" (91.44 cm). However, if the product is placed against an extended wall and the ability to remove the crisper pans is desired, an additional 18" (45.72 cm) of cabinet width is required, so a total cabinet opening width of 54" (137.16 cm) is recommended.


Meat Pan

Crisper Pan

Shelf
Refrigerator Compartment Features

Description	A Width Inches (cm)	B Height Inches (cm)	C Depth Inches (cm)
Meat pan	42"	6 ¹ / ₈ " (15.6)	12 ⁵ / ₈ " (32.0)
	48"	20 ¹¹ / ₁₆ " (52.5) 24 ³ / ₁₆ " (61.4)	
Crisper pan	42"	7 ¹⁵ / ₁₆ " (20.1)	16 ⁵ / ₁₆ " (41.5)
	48"	20 ¹¹ / ₁₆ " (52.5) 24 ³ / ₁₆ " (61.4)	
Shelf	42"	N/A	14 ³ / ₁₆ " (36.1)
	48"	20 ³ / ₈ " (51.7) 23 ⁷ / ₈ " (60.6)	


Basket Freezer

Ice Bin

Bottom Wire Shelf

Top Wire Shelf

Freezer Compartment Features			
Description	A Width Inches (cm)	B Height Inches (cm)	C Depth Inches (cm)
Basket Freezer			
42"	11 ³ / ₁₆ " (28.4)	8 ¹ / ₁₆ " (20.5)	10 ³ / ₁₆ " (25.9)
48"	13 ¹ / ₁₆ " (34.7)		
Ice Bin			
42"	11 ³ / ₁₆ " (28.4)	8 ³ / ₈ " (21.3)	12 ¹ / ₂ " (31.7)
48"	13 ¹ / ₁₆ " (34.7)		
Bottom Wire Shelf			
42"	13 ⁷ / ₈ " (35.3)	N/A	7 ³ / ₁₆ " (18.2)
48"	16 ⁷ / ₁₆ " (41.7)		
Top Wire Shelf			
42"	13 ⁷ / ₈ " (35.3)	N/A	11 ⁹ / ₁₆ " (29.3)
48"	16 ⁷ / ₁₆ " (41.7)		