

MIRA

Version

FDMIR16W5SS-R Wall 16" (40 cm) - 500 CFM

Collection

Design

EAN code

8034122206011



Photograph is for information purposes only
May not correspond to the selected version

FEATURES

Perimeter suction
Electronic control
LED lighting
Metallic grease filter,
removable and washable
Optional charcoal filter
SRS Speed reduction system

Recommended mounting height
from cooking surface to hood
bottom: 24" - 35"

OPTIONAL ACCESSORIES

FDNUVMTR600

FDNUVMTR600 - Motor 600
CFM

FFCHASQC0BL

FFCHASQC0BL - Square
charcoal filter - Type 3

KACL.815

Protective cleaning cloths for
stainless steel (box 10 pcs)

101079900

Metallic filter "Base" - 235x245
mm

TECHNICAL FEATURES

Installation type

Wall

Dimensions

16 / 40 cm

Finish

Scotch brite stainless steel (AISI
304)

Motor

500 CFM

Type of control

Electronic control

Speed settings

4

Lighting

Led 2x1,2 W - 3200 K

Filter

Metallic filter "Base" - 235x245
mm

Charcoal filter

FFCHASQC0BL - Square
charcoal filter - Type 3 (optional)

Minimum distance

Gas hob: 24 in

Electric hob: 21 in

PACKAGING:WEIGHTS AND VOLUMES

Gross weight

45 lbs

Net weight

36 lbs

Volumes

10 ft³

Packaging size

Length

40 in

Height

19 in

Depth

24 in

CONSUMPTION AND CONNECTION FEATURES

Maximum consumption

280 W

Plug type

Hood comes standard with Nema
5-15P power cord

MOTOR TECHNICAL SHEET

Maximum capacity

590 m³/h

I.E.C. 61591

Maximum noise level

64 dB(A)re1pW

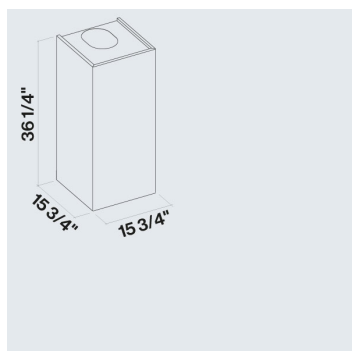
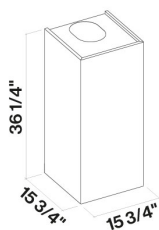
I.E.C.60704-2-13

Maximum pressure (Pa)

500 Pa

Max. motor power

203 W



MIRA

Version

FDMIR16W5SS-R Wall 16" (40 cm) - 500 CFM

Collection

Design

EAN code

8034122206011

MOTOR TECHNICAL SHEET

Motor Speed	1	2	3	4
Noise level dB(A) _{re1pW-I.E.C.60704-2-13}	45	50	55	64
Capacity (m ³ /h) I.E.C.61591	230	300	380	590
Maximum pressure (Pa)	390	420	460	500
Motor Power (W)	134	156	180	203
Air outlet	150	150	150	150

CAPACITY / PRESSURE

