

MIRA

Version

FDMIR16I5SS-R Island 16" (40 cm) - 500 CFM

Collection

Design

EAN code

8034122205953



Photograph is for information purposes only
May not correspond to the selected version

FEATURES

- Perimeter suction
- Electronic control
- LED lighting
- Metallic grease filter, removable and washable
- Optional charcoal filter
- SRS Speed reduction system

Recommended mounting height from cooking surface to hood bottom: 24" - 35"

OPTIONAL ACCESSORIES

FDNUMTR600

FDNUMTR600 - Motor 600 CFM

FFCHAR3C0BL

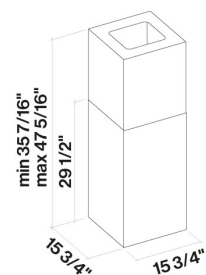
FFCHAR3C0BL - Round charcoal filter Ø 6" - Type 6

KACL.815

Protective cleaning cloths for stainless steel (box 10 pcs)

101080244

Metallic filter "Base" - 277x294 mm



TECHNICAL FEATURES

Installation type

Island

Dimensions

16 / 40 cm

Finish

Scotch brite stainless steel (AISI 304)

Motor

500 CFM

Type of control

Electronic control

Speed settings

4

Lighting

Led 4x1,2 W - 3200 K

Filter

Metallic filter "Base" - 277x294 mm

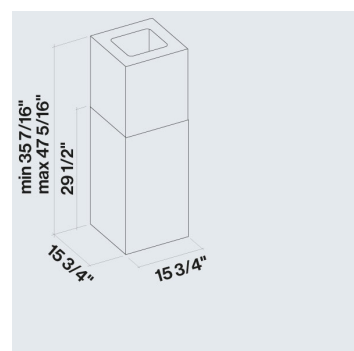
Charcoal filter

FFCHAR3C0BL - Round charcoal filter Ø 6" - Type 6 (optional)

Minimum distance

Gas hob: 24 in

Electric hob: 21 in



PACKAGING:WEIGHTS AND VOLUMES

Gross weight

80 lbs

Net weight

71 lbs

Volumes

10 ft³

Packaging size

Length

40 in

Height

19 in

Depth

24 in

CONSUMPTION AND CONNECTION FEATURES

Maximum consumption

280 W

Plug type

Hood comes standard with Nema 5-15P power cord