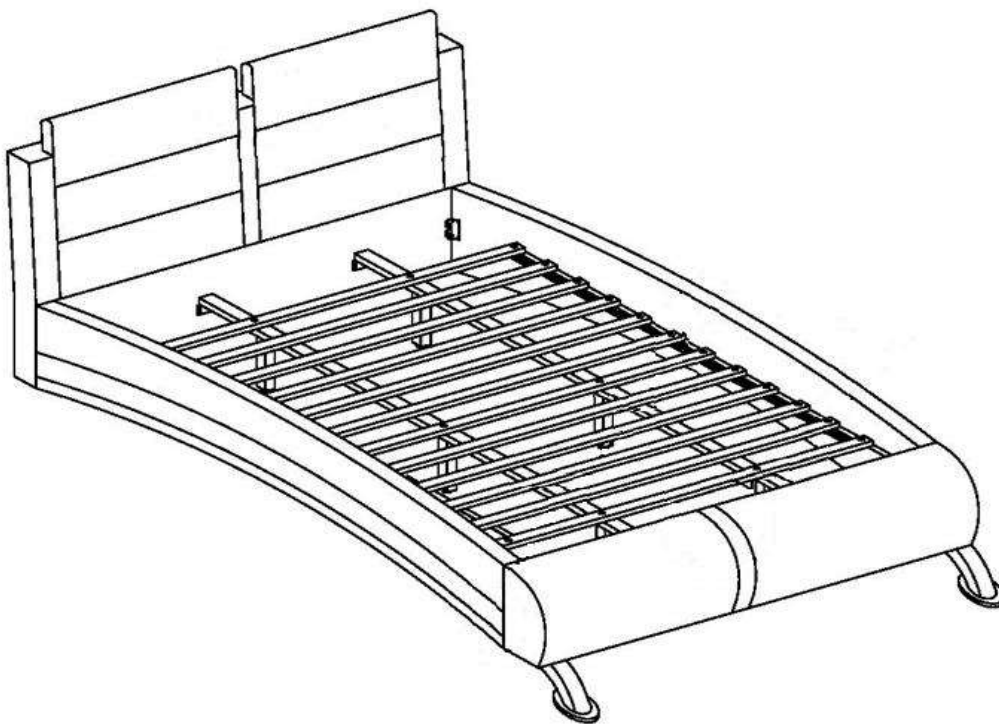


ASSEMBLY INSTRUCTIONS
COASTER FINE FURNITURE



Fine Furniture for every stage of life

300345KW (B1-B3)
California King Bed

REVISION 0 : 08/13/2014
REVISION 1 : 05/14/2015
REVISION 2 : 07/25/2019

ITEM: 300345KW (B1-B3)



ASSEMBLY INSTRUCTIONS

ASSEMBLY TIPS:

1. Remove hardware from box and sort by size.
2. Please check to see that all hardware and parts are present prior to start of assembly.
3. Please follow attached instructions in the same sequence as numbered to assure fast & easy assembly.



WARNING!

1. Don't attempt to repair or modify parts that are broken or defective. Please contact the store immediately.
2. This product is for home use only and not intended for commercial establishments.



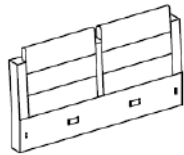
ASSEMBLY TIME

20 MINUTES

PARTS IDENTIFICATION

B1 (BOX 1)

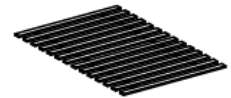
AN HEADBOARD



1PC

BN

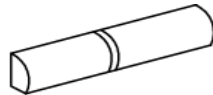
ROLL SLAT
(14PCS)



1SET

B2 (BOX 2)

CN FOOTBOARD PANEL



1PC

B3 (BOX 3)

DN LEFT BED RAIL



1PC

IN

CENTER RAIL



2PCS

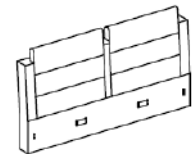
EN RIGHT BED RAIL



1PC

AN

300345KW (B1)
FROM BOX 1
HEADBOARD



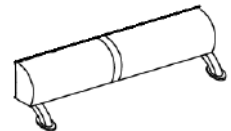
1PC

FN FOOTBOARD LEG



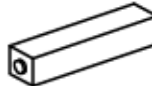
2PCS

300345KW (B2&B3)
FROM BOX 2 & BOX 3
FOOTBOARD
COMPLETE



1PC

GN BED SLAT SUPPORT
WITH LEVELER



6PCS

HN FOOTBOARD
SUPPORT WITH
LEVELER



2PCS

HARDWARE IDENTIFICATION

Z-B3 (BOX 3) - HARDWARE PACK IS LOCATED IN 300345KW (B3)

1 SHORT FLAT HEAD
SCREW

(4 x 25mm - RBW)



14PCS

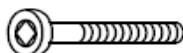
2 LONG FLAT HEAD
SCREW

(4 x 32mm - RBW)



34PCS

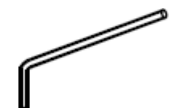
3 BOLT
(6x 40mm - RBW)



6PCS

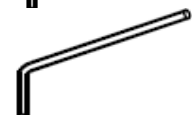
4 SMALL ALLEN
WRENCH

(4 X 65MM - BLK)



1PC

5 BIG ALLEN WRENCH
(5 X 70MM - BLK)



1PC

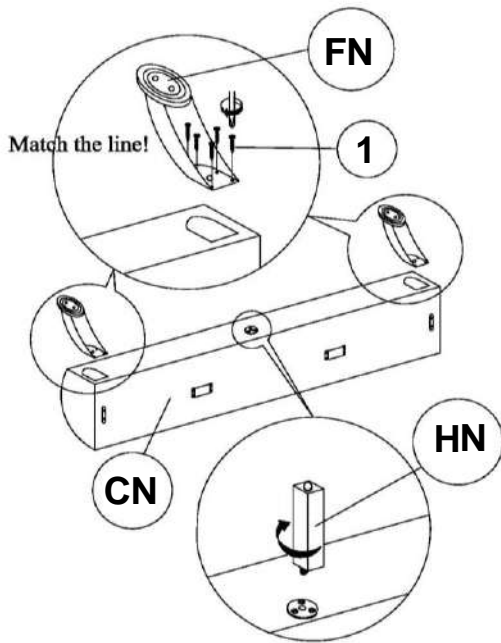
NOTE:

Phillips head screw driver is required in the assembly process; however, manufacturer does not provide this item.

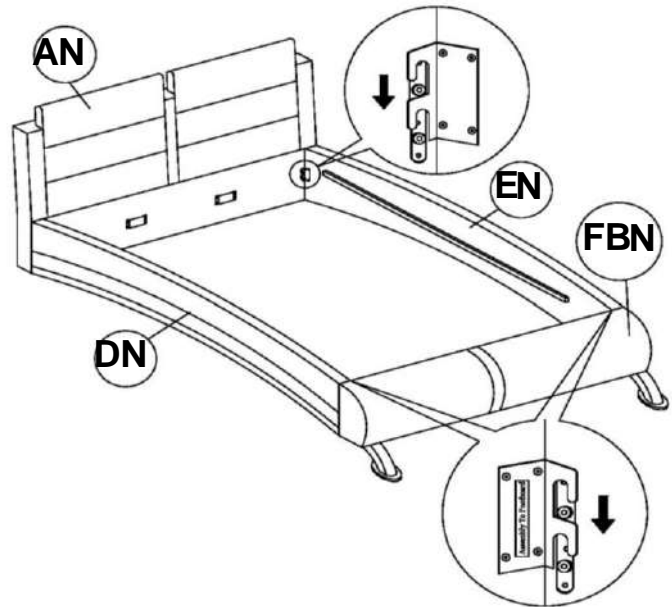
ITEM: 300345KW (B1-B3)

ASSEMBLY INSTRUCTIONS

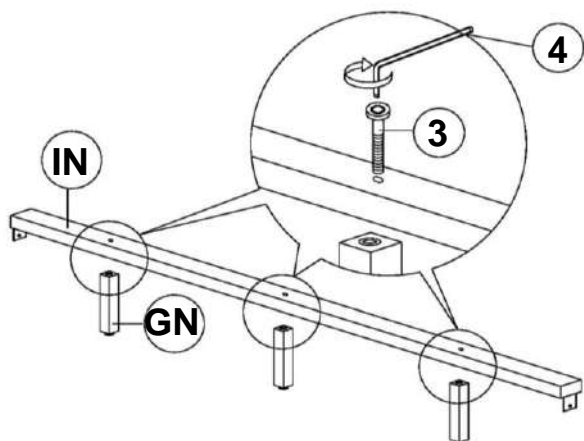
STEP 1



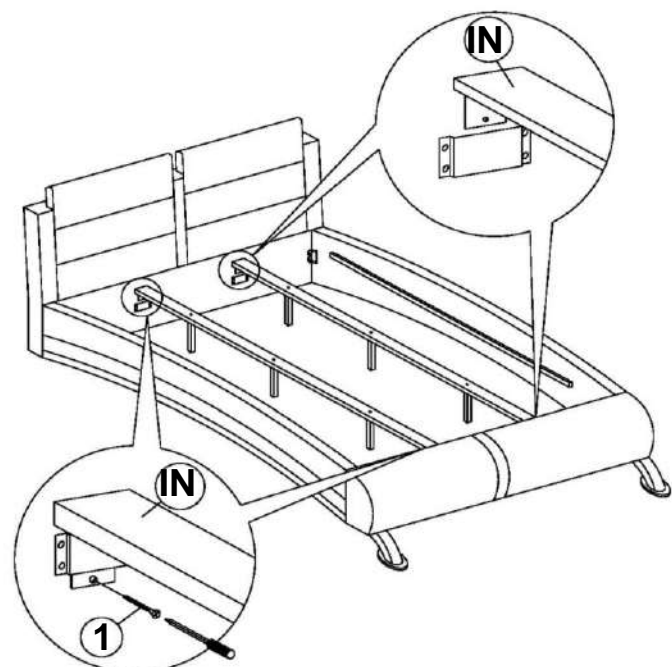
STEP 2



STEP 3



STEP 4

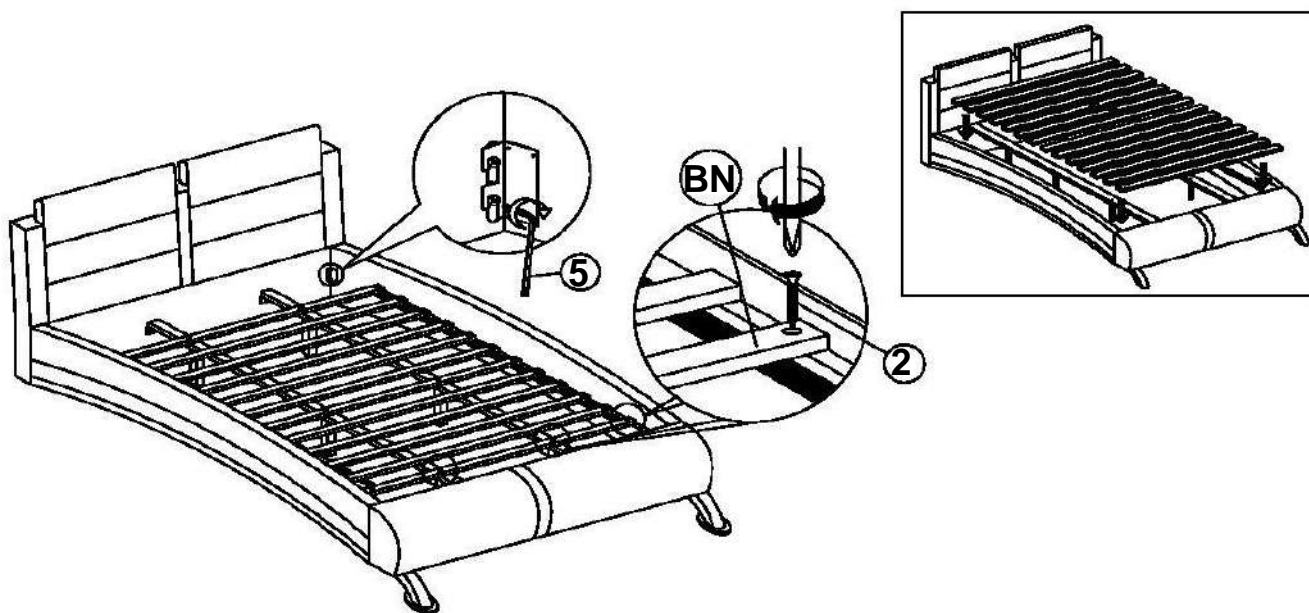


ITEM: **300345KW (B1-B3)**

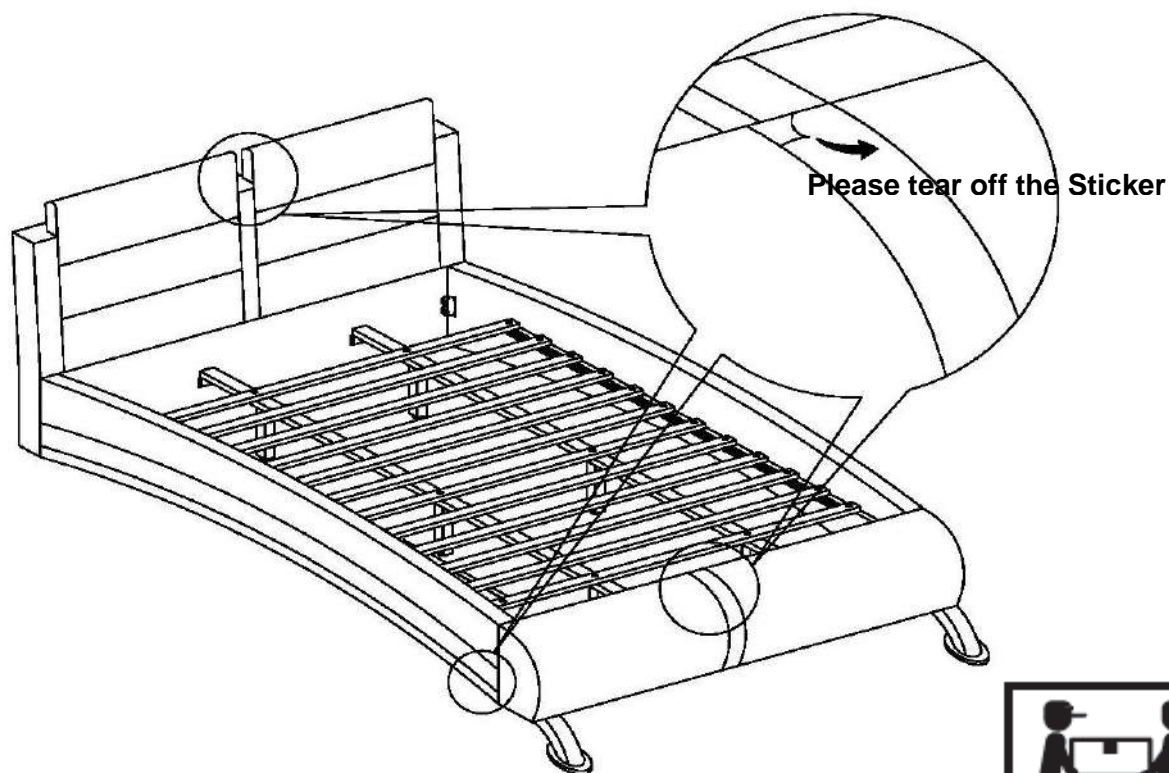


ASSEMBLY INSTRUCTIONS

STEP 5



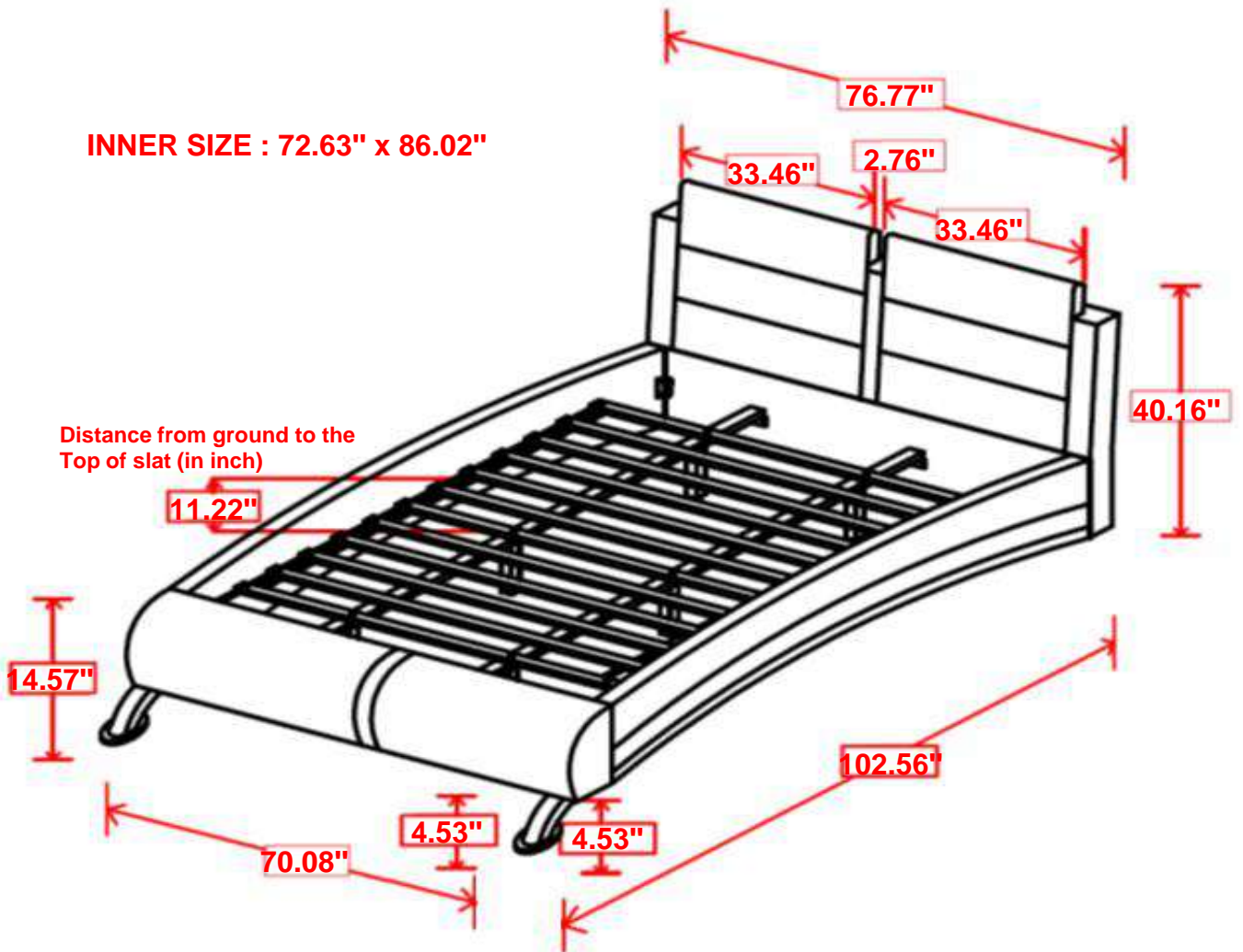
STEP 6
COMPLETE



ITEM: **300345KW (B1-B3)**



INNER SIZE : 72.63" x 86.02"



Note : Dimension tolerance $\pm 5\%$