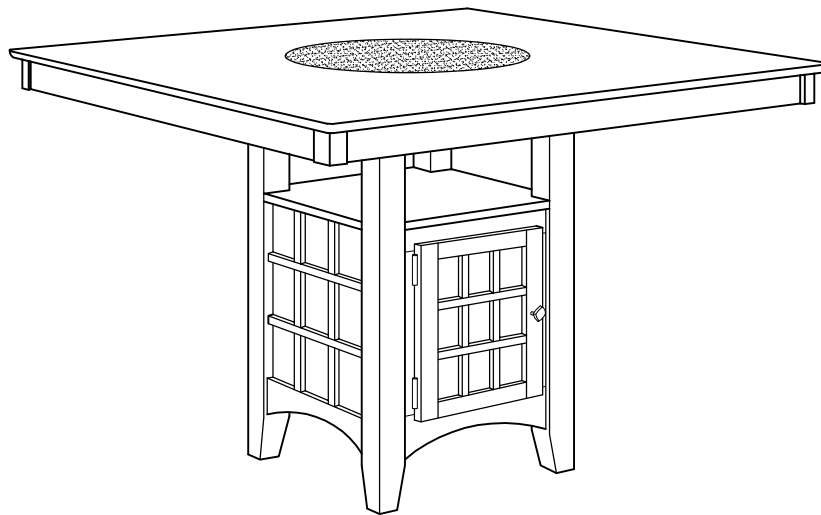


ASSEMBLY INSTRUCTIONS
COASTER FINE FURNITURE



Fine Furniture for every stage of life

100438(B1&B2)
Counter Height Table
& Lazy Susan

REVISION 0: 01/10/2007
REVISION 1: 03/30/2012
REVISION 2: 04/26/2012
REVISION 3: 05/28/2020

ITEM: 100438(B1&B2)



ASSEMBLY INSTRUCTIONS

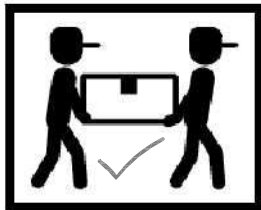
ASSEMBLY TIPS :

1. Remove hardware from box and sort by size.
2. Please check to see that all hardware and parts are present prior to start of assembly.
3. Please follow attached instructions in the same sequence as numbered to assure fast & easy assembly.



WARNING !


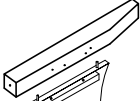
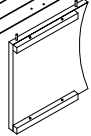
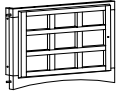

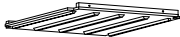

1. Don't attempt to repair or modify parts that are broken or defective. Please contact the store immediately.
2. This product is for home use only and not intended for commercial establishments.




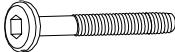




ASSEMBLY TIME

40 MINUTES

PARTS IDENTIFICATION

A	TOP WITH MOUNTING PLATE		1PC
B	LEG		4PCS
C	SIDE PANEL		2PCS
D	DOOR PANEL		2PCS
E	TOP PANEL		1PC
F	BOTTOM PANEL		1PC
G	LAZY SUSAN		1PC

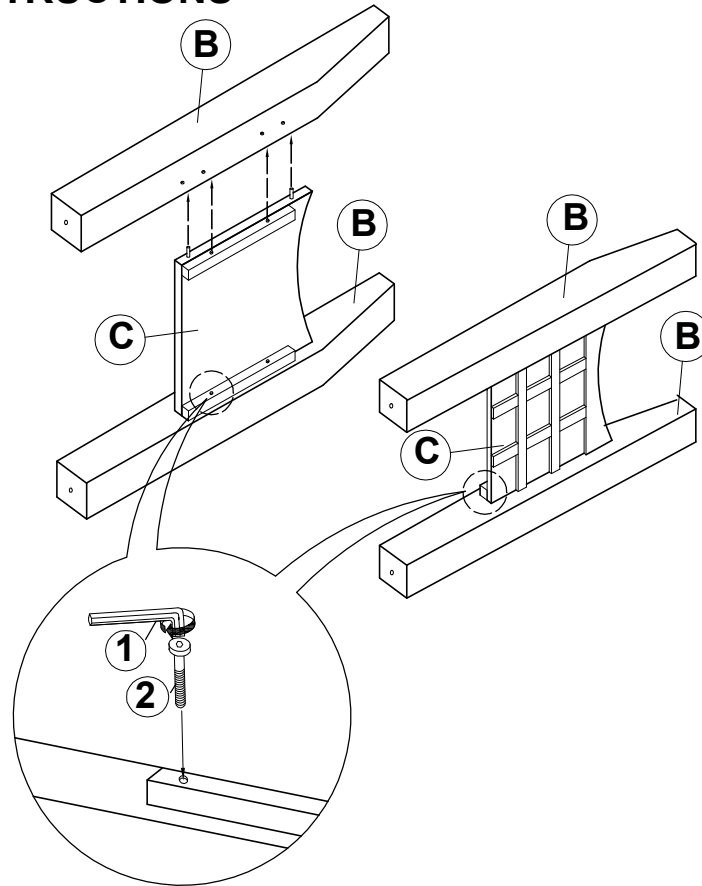
HARDWARE IDENTIFICATION

1	ALLEN WRENCH (M4 x 110MM - BLK)		1PC
2	BOLT (M6 x 30MM - RBW)		24PCS
3	HEX HEAD SCREW (M7 x 40MM - RBW)		4PCS
4	KNOB WITH SCREW		2SETS
5	RUBBER DISC (356.21420)		6PCS
6	FLAT WASHER (5/16" - RBW)		4PCS

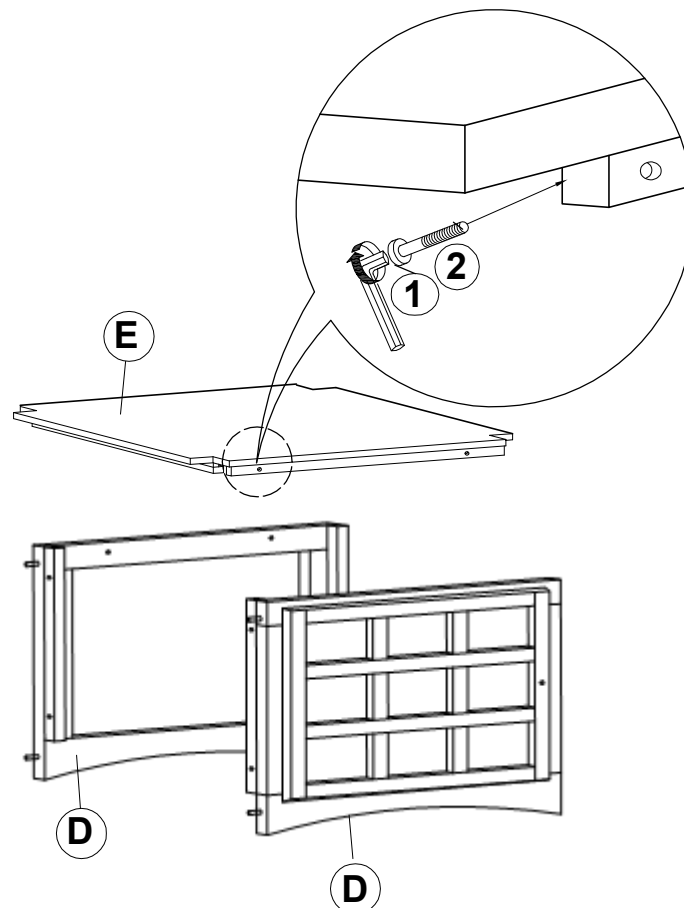
ITEM: **100438(B1&B2)**

ASSEMBLY INSTRUCTIONS

STEP 1



STEP 2

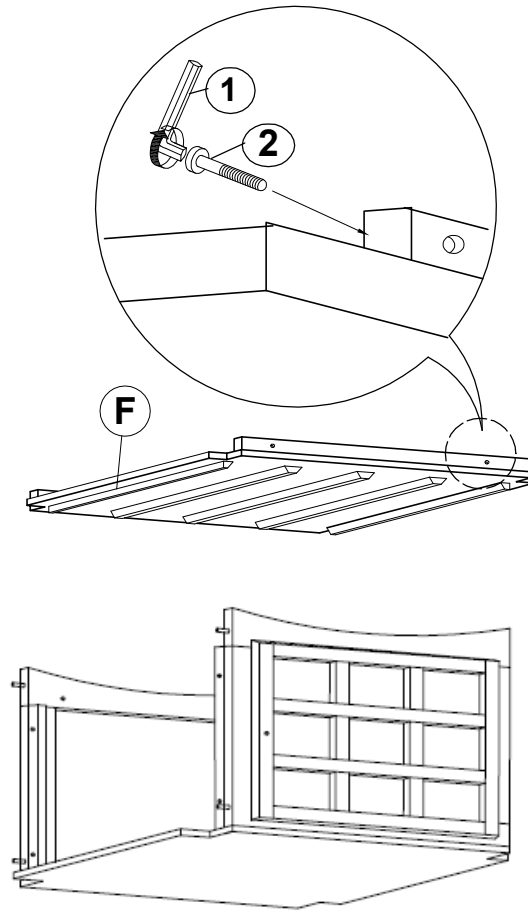


ITEM: **100438(B1&B2)**

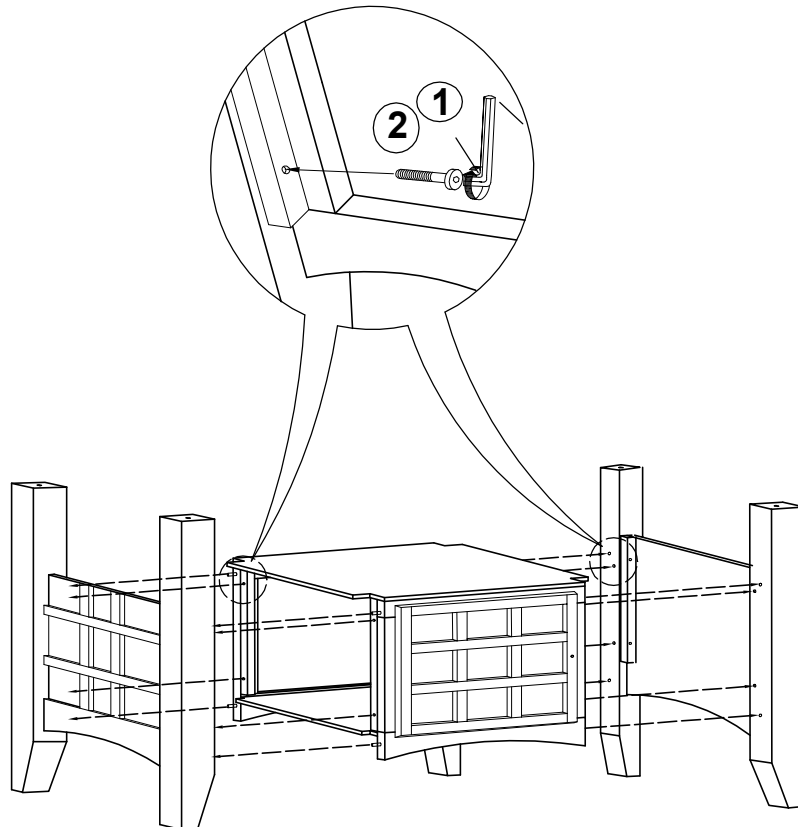


ASSEMBLY INSTRUCTIONS

STEP 3



STEP 4



ITEM: 100438(B1&B2)



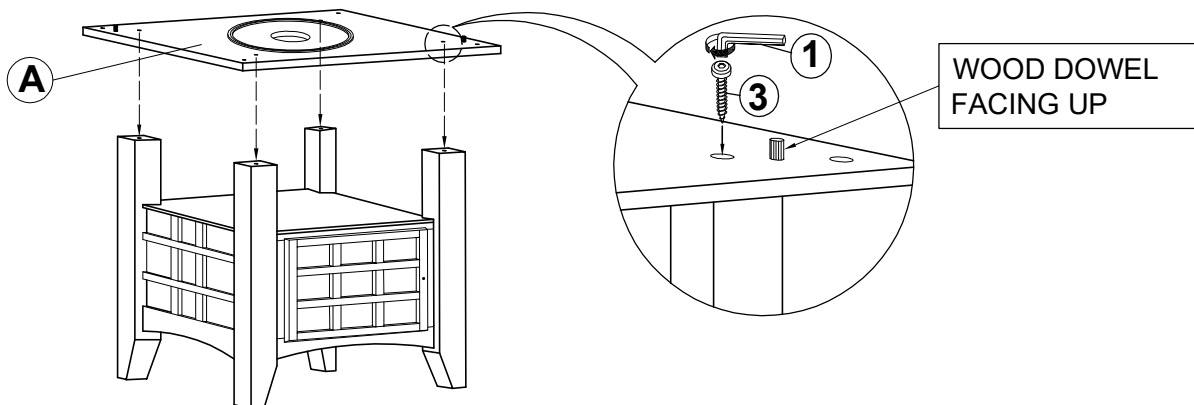
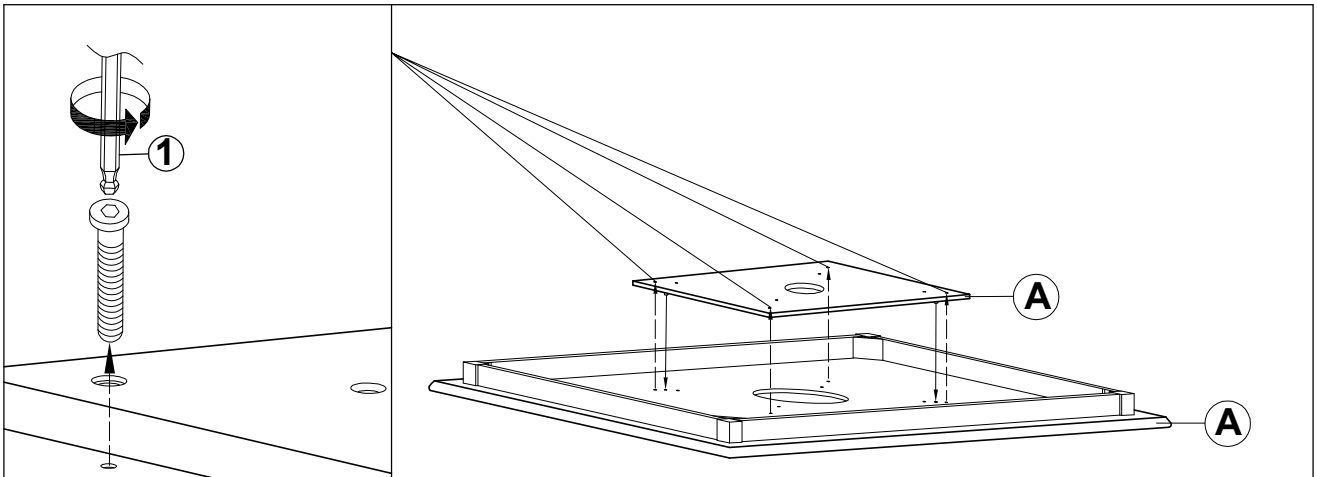
ASSEMBLY INSTRUCTIONS

STEP 5

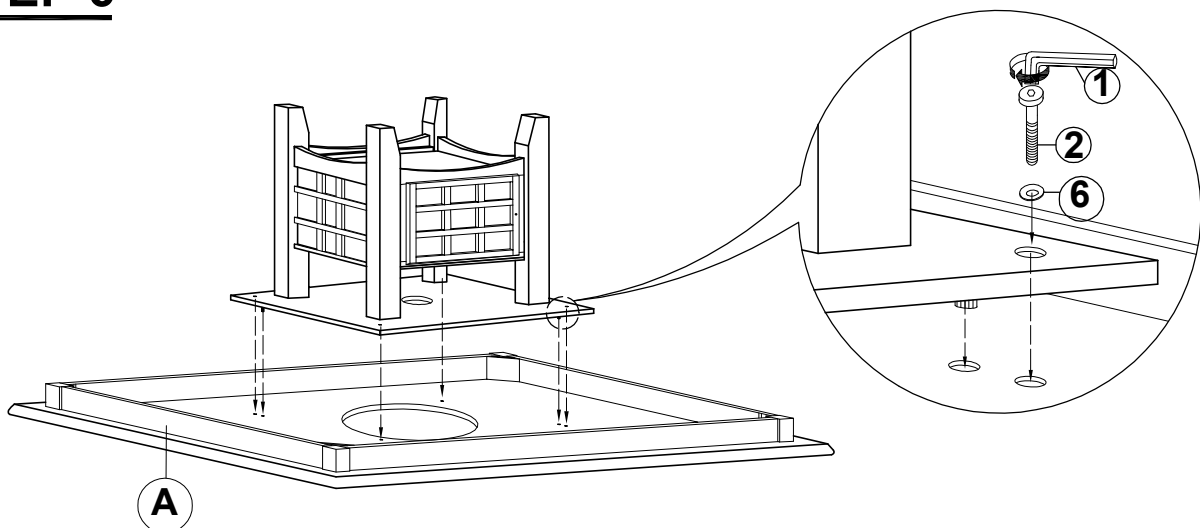
Attention:

Unscrew bolt with Allen wrench to detach the mounting plate from table top. Align and fasten mounting plate to legs using Allen cap screw and tighten with Allen wrench.

(Please ensure the wood dowel on the mounting plate is facing up).



STEP 6

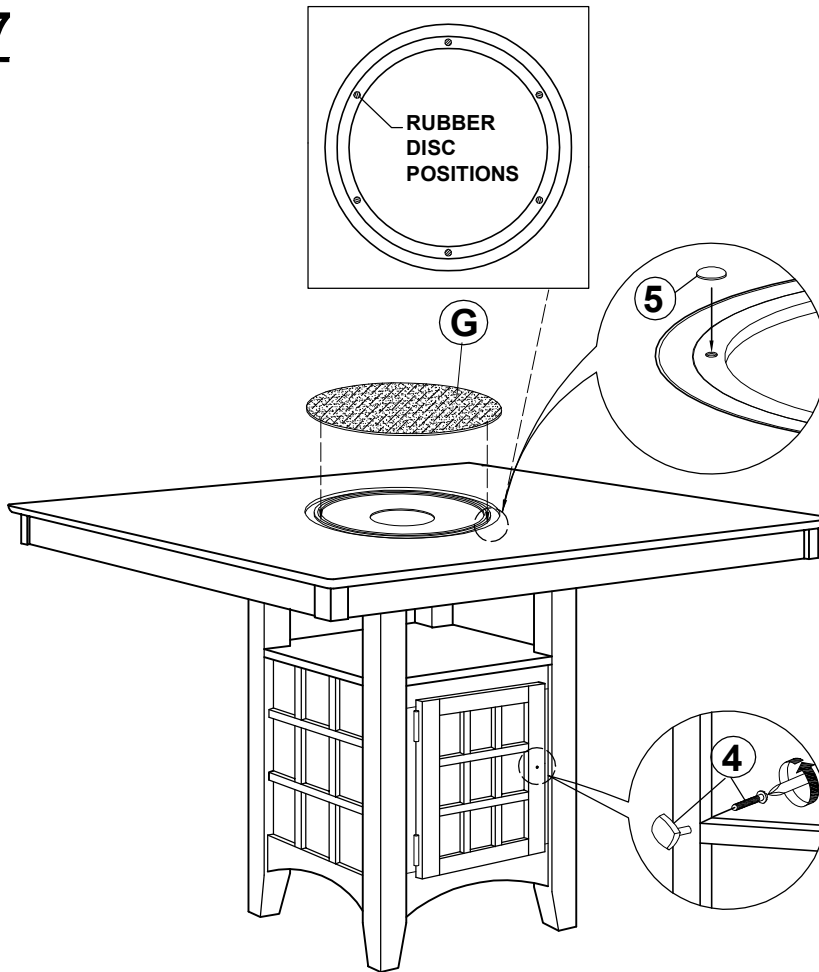


ITEM: **100438(B1&B2)**

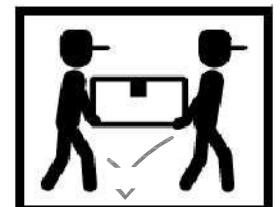
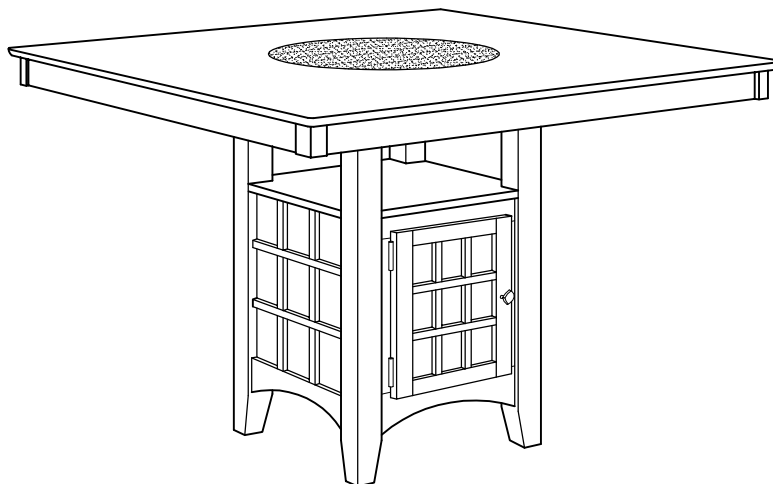


ASSEMBLY INSTRUCTIONS

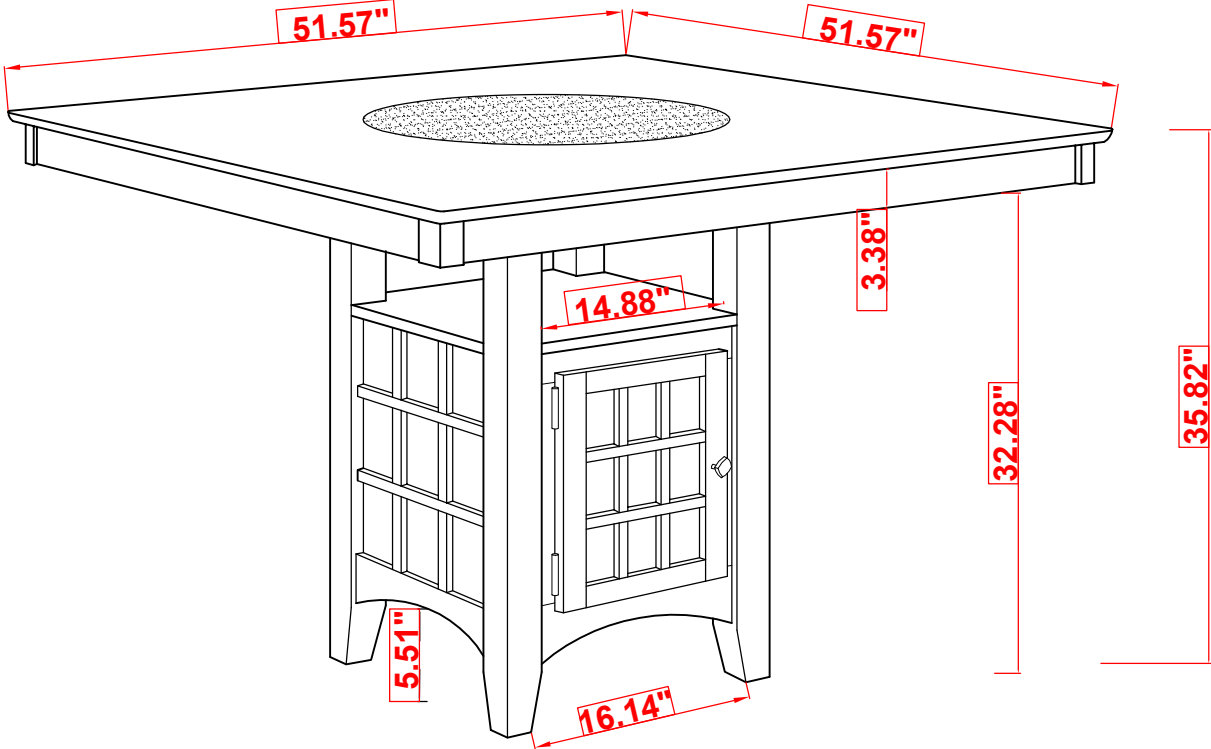
STEP 7



STEP 8
COMPLETE



ITEM: 100438(B1&B2)



Note : Dimension tolerance $\pm 5\%$