

SINGLE-DOOR FREEZER FILTERED ICE KIT INSTALLATION INSTRUCTIONS

TTFLTRICEKIT

Models: PPFU19F8WF
FPRU19F8WF
EI33AF80WS
EI33AR80WS

We recommend an authorized service technician install the filtered ice kit.

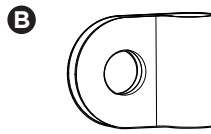
NOTE

Without a kit you will need a water line splitter or 2 individual water lines to route the home water supply to the refrigerator and the freezer. The filtered ice kit can only be used for a Single-Door Freezer being installed next to a Single-Door Refrigerator that contains water connections. This kit will not work on non-dispenser refrigerator models. Disconnect electrical power prior to servicing this product.

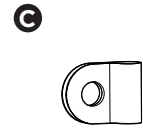
Filtered Ice Kit Components



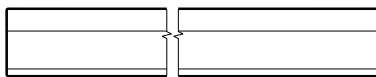
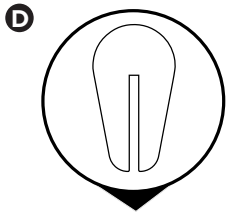
A
218976831
1/4" Green Water Line, 16 ft.
Qty: 1



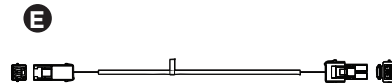
B
240396804
1/4" Green Water Line
Strain Reliefs
Qty: 2



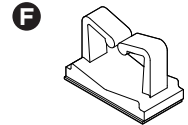
C
240396805
1/8" Wiring Harness
Strain Reliefs
Qty: 2



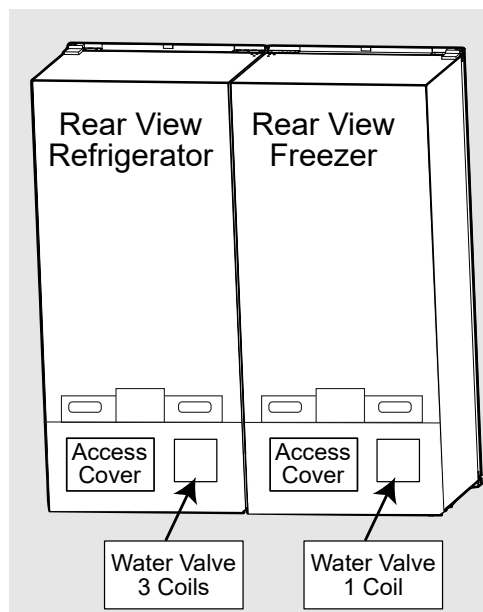
D
A20060201
11" Rubber Trim Access Cover
Qty: 2



E
A19408101
19' Wire Harness
Qty: 1



F
305346-00
Wiring Harness
Support Clips
Qty: 2



ORIGINAL CONFIGURATION

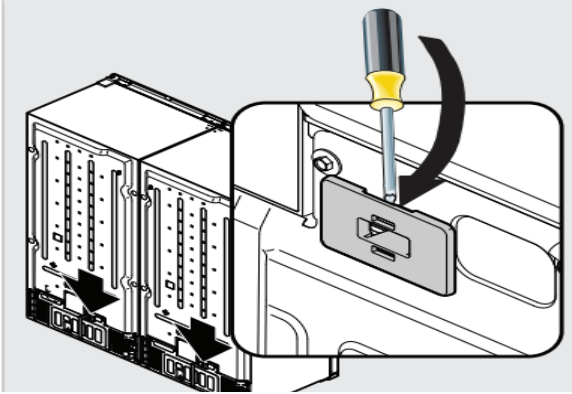
Access Cover Removal

Required Tools: ¼" nut driver, flat head screw driver

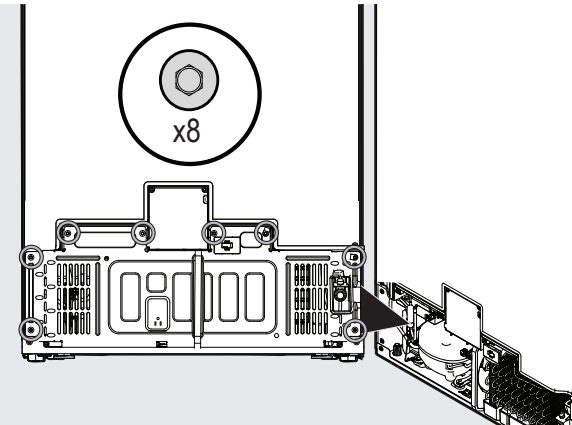
CAUTION

Wear gloves and use extreme CAUTION when installing the PROTECTIVE rubber trim. The opening may have sharp edges.

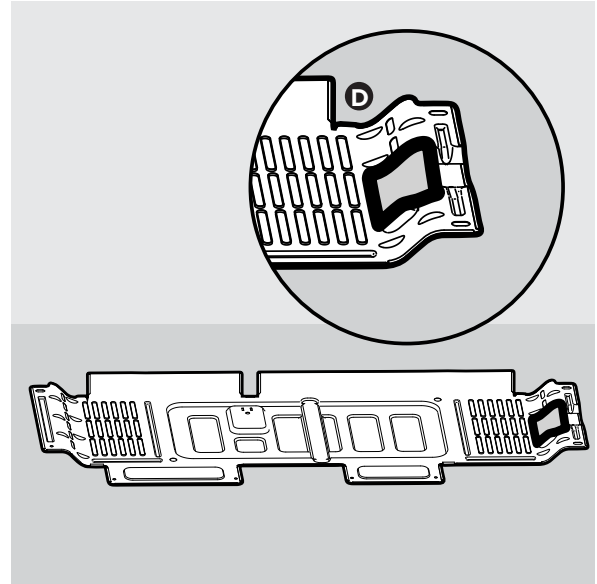
1. Remove the vacuum relief cover.



2. Remove the 8 access panel screws on the refrigerator and the freezer.

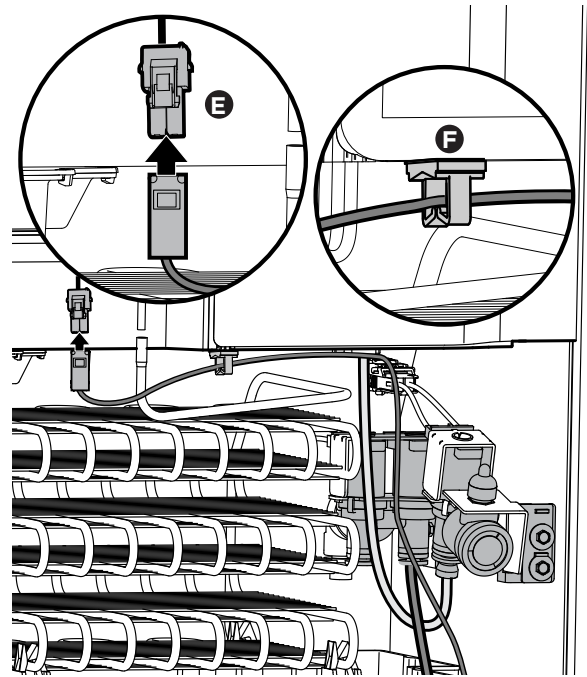
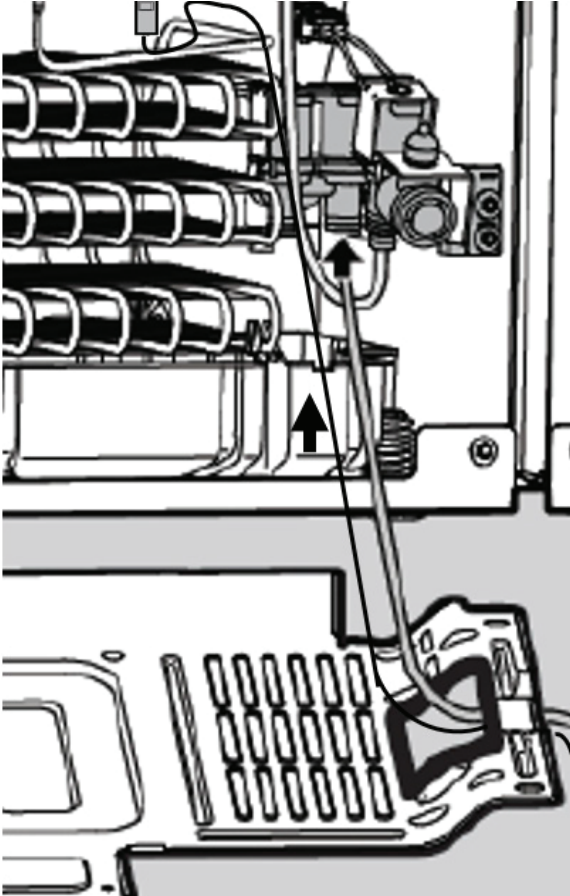


3. Apply the protective rubber trim (D) to the inside edge of the water valve opening on both access covers. Score the rubber in the corners to make application easier.



Refrigerator Connections

1. Feed the green water line (A) and wiring harness (E) through the opening of the refrigerator access cover.
2. Push the green water line into the green port of the water valve up to black line mark.
3. Connect the wiring harness (E), to the connector on the refrigerator.
4. Locate wiring harness support clip at top of refrigerator machine compartment (F), and insert wiring harness to secure.

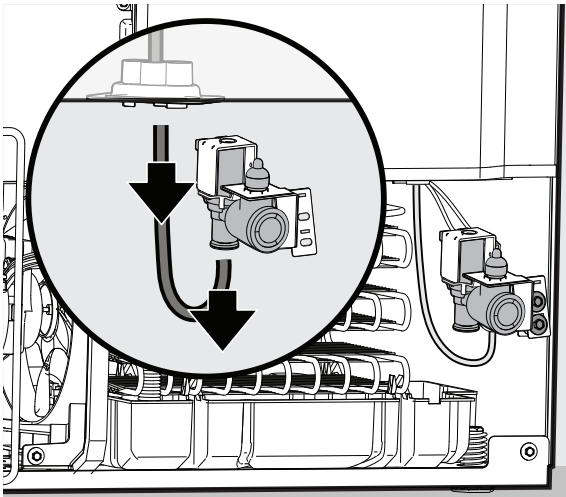


Freezer Connections

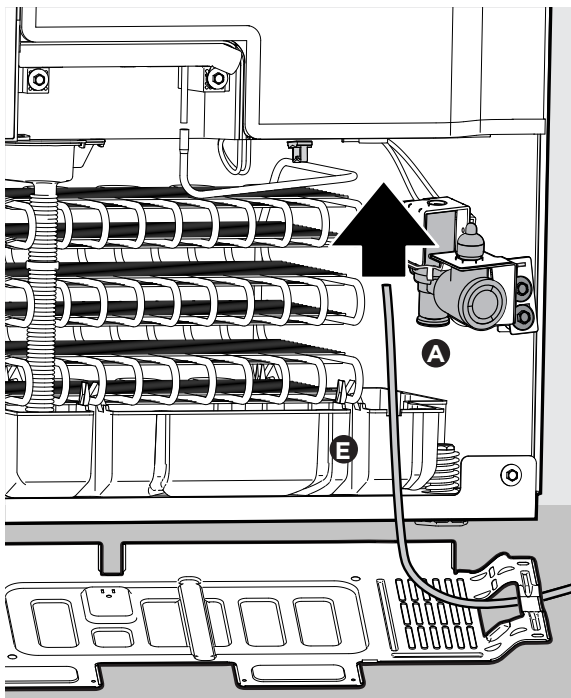
NOTE

The freezer water valve and the connecting harness are not used when this kit is installed for filtered water provided by the paired refrigerator.

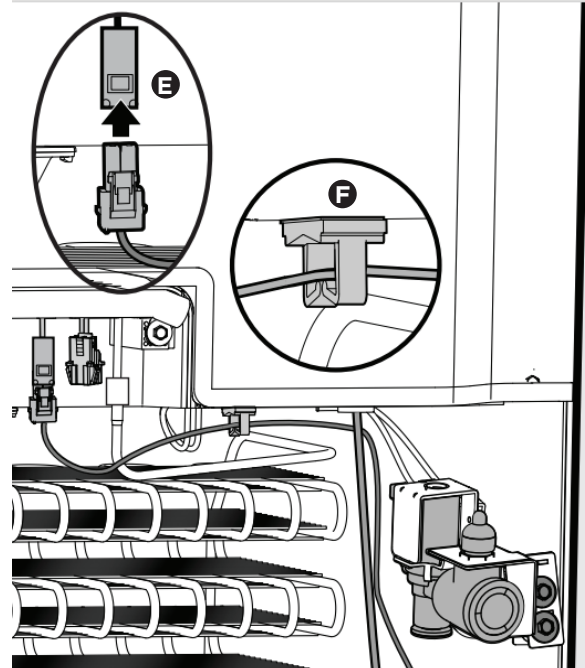
1. Disconnect and remove the 10" green water line by pushing upward on the port tab, while pulling out the line.



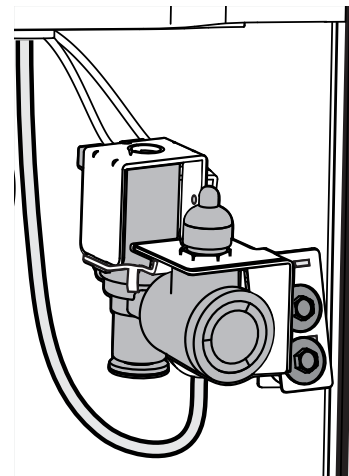
2. Feed the green water line (A) coming from the refrigerator along with the wiring harness (E) through the opening of the access cover.
3. Insert the green water tube into cabinet tube connection all the way to the black line.



4. Connect the harness (E) from the refrigerator to the connector for the freezer. Locate wiring harness support clip at top of refrigerator machine compartment (F), and insert wiring harness to secure.

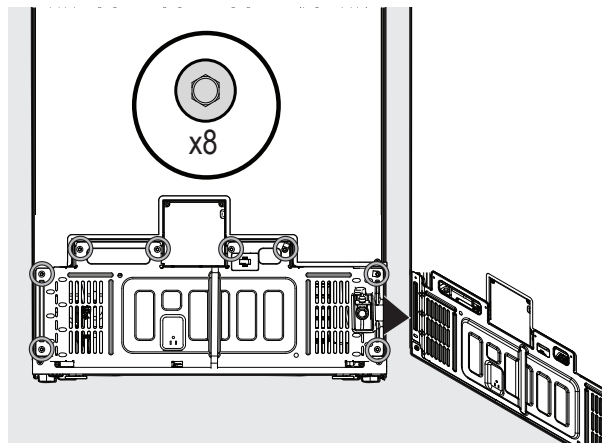
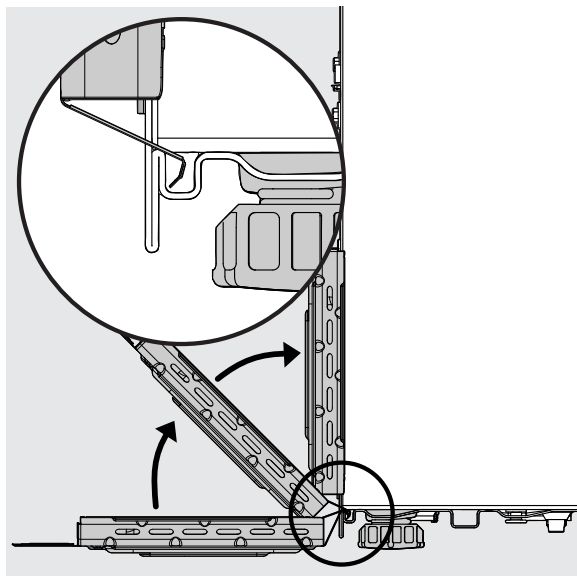


5. Disconnect the harness that connects to the water valve. You no longer need the freezer water valve. The refrigerator water valve will supply the water.



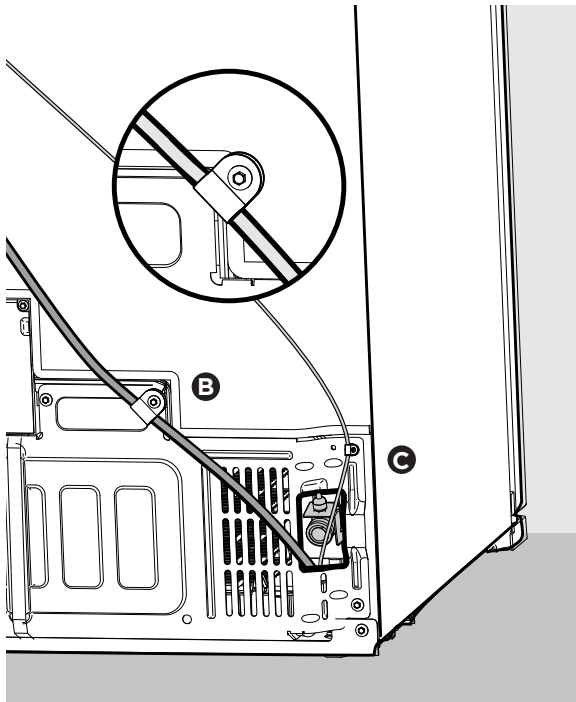
Freezer Connections

6. Insert the bottom of the Access Cover into the compressor base and rotate up. Align the access cover by aligning all 8 screw holes, and then reinstall the vacuum relief cover.



Water Line Final Connections

1. Fasten the strain reliefs for green water line (B) and for wiring harness (C) on each unit.



4. Connect and turn on the home water supply.
5. Purge air from the water lines by dispensing water from the refrigerator water dispenser. (See **WATER SUPPLY CONNECTION** or **AUTOMATIC WATER DISPENSER** in the Use and Care Manual for details on water dispenser operation and purging method).

NOTE

Test the water before sliding the units back into the cabinet cutout.

NOTE

This installation does not require a water line Y splitter.

2. Attach the 2 adhesive support clips (F) and insert the green water line and harness.
3. Loop the water line and wire harness in the center of the 2 units.

