

# REF30BMBZPNV

REFRIGERATOR 30" BUILT-IN BOTTOM MOUNT PANEL READY  
WITH ICE MAKER



Energy Star rated refrigerator & freezer with 16 cu.ft of total storage capacity.

Flush or proud installation in 84" high kitchen cabinets.

Precise temperature control for optimal food preservation: powered by variable-speed compressor.

Automatic ice maker.  
Internal water dispenser with inline filter for hygienically clean drinking water and ice.

Digital LED touch interface with user-friendly controls for temperature, speed-freeze and ice making.

Soft close crispers. Metal freezer bins.

Reversible doors for left or right swing configuration.

2 years parts & labor warranty.

ADA compliant.

## PRODUCT FEATURES

Size	W 30"
Volume	Ref 11.5 cu.ft / Frz 4.5 cu.ft
Door finish	Panel ready
User interface	Internal digital LED touch interface
Lighting	Top and sidewall LED lights
Refrigerator shelves	1 stationary + 2 height-adjustable
Refrigerator crispers	1 + 1 with separate temperature control
Freezer compartment	2 drawers
Door storage	1 gallon sized + 2 height adjustable bins
Ice maker	Automatic ice maker 3.9 lbs / 24 hrs
Settings	Super cool, Super freeze, Ice maker, Water filter replacement alarm, Water dispenser, Eco mode, Vacation mode, Sabbath mode

## TECHNICAL SPECIFICATIONS

Electrical supply	115 V 60 HZ - 2.6 Amp
Power connection	NEMA 5-15P with 98" power cord
Sound rating	43 dbA
Water connection	1/4" waterline with shut-off valve
Water supply pressure	25-80 PSI (1.7-5.5 BAR)
Energy consumption	551.0 kwh/yr
Certification	ADA Compliant,CEC,ETL
Warranty	2 years parts & labor
Packaging dimensions	W 32 5/16" H 90 9/16" D 26 3/8"
Weight	386.0 lbs

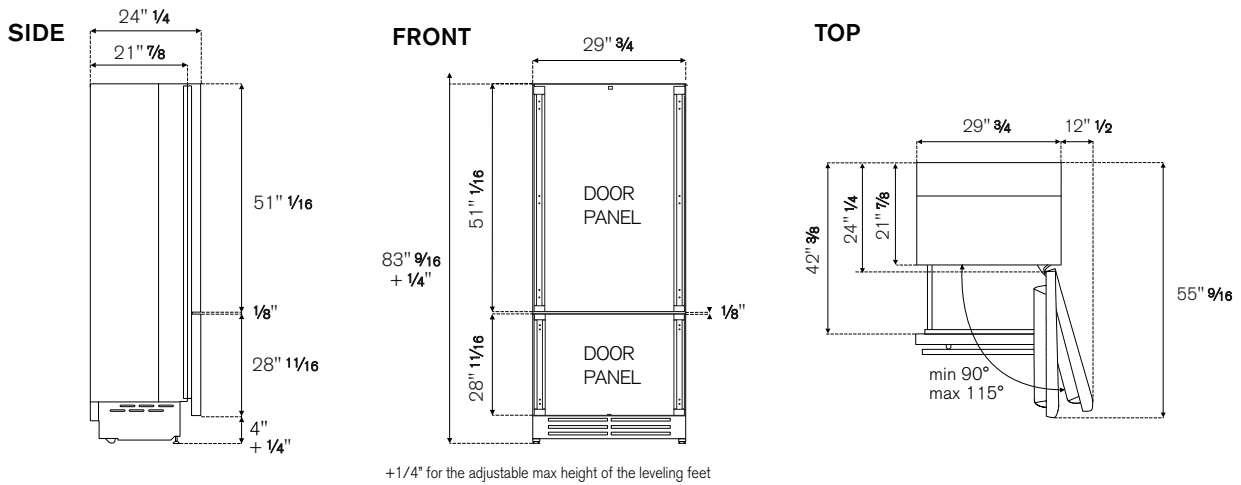
## ACCESSORIES

Z370001	Replacement Water Filter
PROHK30PI	Handle Kit - Professional Series
MASHK30PI	Handle Kit - Master Series
HERHK30PI	Handle Kit - Heritage Series
CTBMPV	Connection Trim for Side-by-Side Installation



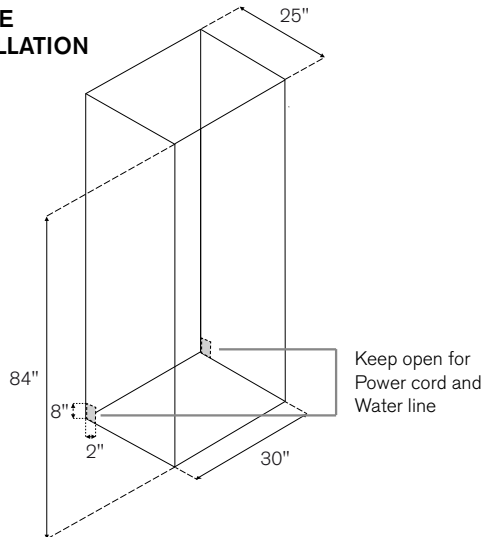
# REF30BMBZPNV

REFRIGERATOR 30" BUILT-IN BOTTOM MOUNT PANEL READY WITH ICE MAKER

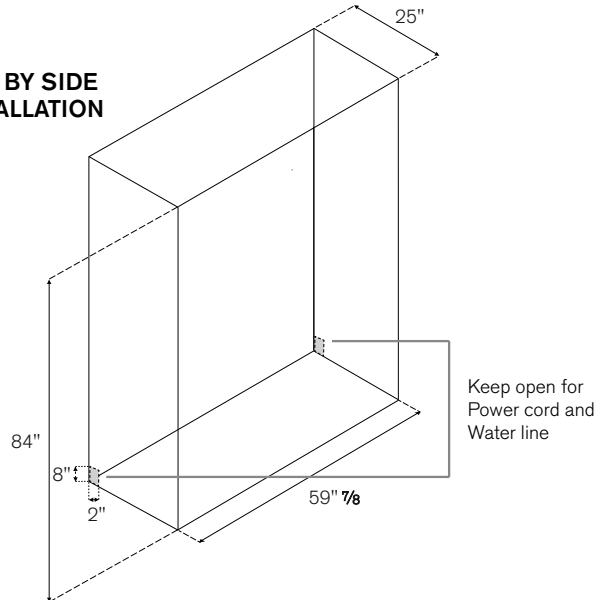


## CUTOUT DIMENSIONS

### SINGLE INSTALLATION



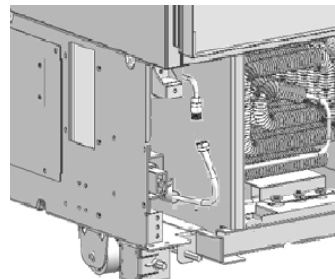
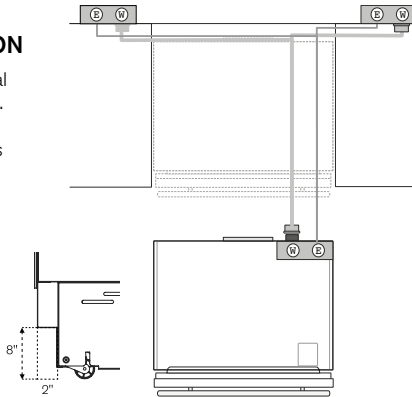
### SIDE BY SIDE INSTALLATION



## ELECTRICAL & WATER CONNECTION

A properly-grounded, electrical receptacle should be installed. A separate circuit breaker servicing only this appliance is recommended. Do not use a multi-purpose socket with other electrical appliances.

To connect to the water supply system, use a 1/4" waterline with accessible shut-off valve with a length of 60".



## INSTALLATION REQUIREMENTS

If the appliance(s) is not connected through the side profile trims to secured cabinetry, anti-tip brackets must be installed. The max weight for the cabinet panel is 35 lbs (16kg) for the refrigerator door and 20 lbs (9kg) for the freezer door.