

PHS93XYP

GE Profile™ 30" Smart Slide-In Front-Control Induction Fingerprint Resistant Range with In-Oven CookCam™

DIMENSIONS AND INSTALLATION INFORMATION (IN INCHES)

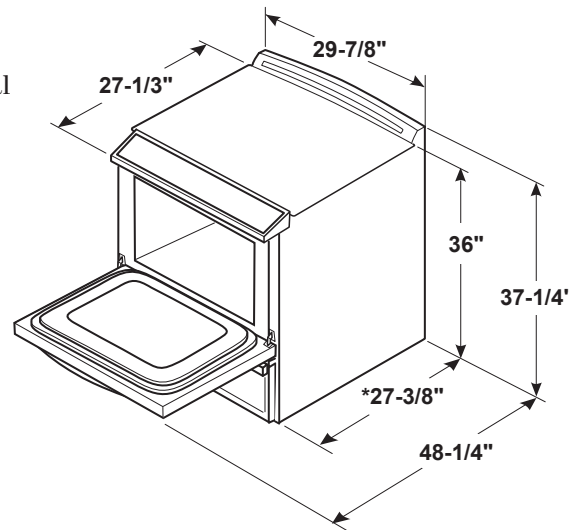
RECEPTACLE LOCATIONS: Locally approved flexible service cord or conduit must be used because terminals are not accessible after range installation. See shaded area in drawing for location of electrical outlet box. Recommended outlet locations allow range to be installed directly against rear wall.

NOTE: This appliance has been approved for 0" spacing to adjacent surfaces above the cooktop. However, a 6" minimum spacing to surfaces less than 15" above the cooktop and adjacent cabinet is recommended to reduce exposure to steam, grease splatter and heat.

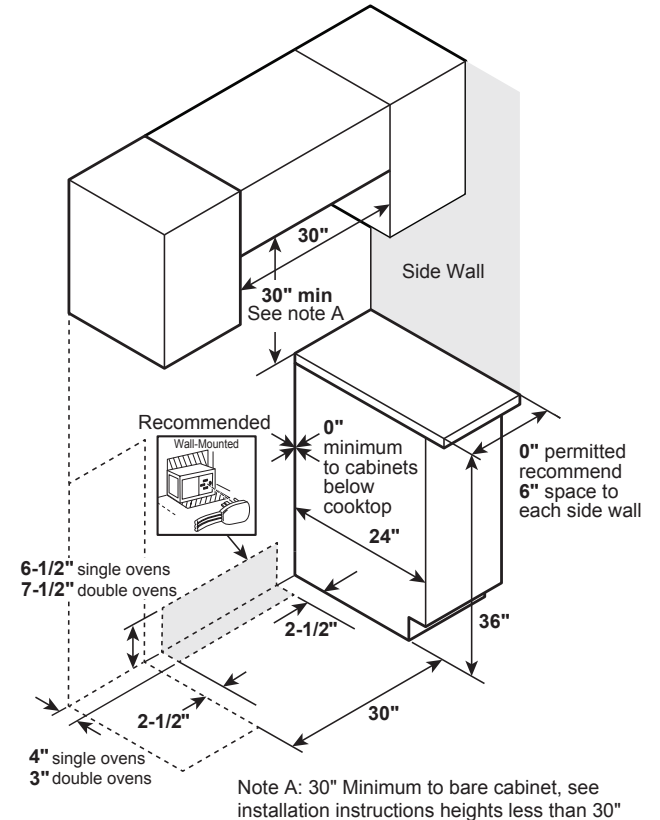
INSTALLATION INFORMATION: Before installing, consult installation instructions for current dimensional data and additional requirements

KW RATING	
240V	12.5
208V	10.4
BREAKER SIZE	
240V	40 Amps [†]
208V	40 Amps [†]

†NOTE: Check local codes for required breaker size.



*Depth including door handle is approximately 28-1/4".



For answers to your Monogram, GE Café™, GE Profile™ or GE Appliances product questions, visit our website at geappliances.com or call GE Answer Center® Service, 800.626.2000.



All GE Appliances ranges are equipped with an Anti-Tip device. The installation of this device is an important, required step in the installation of the range.



PHS93XYP

GE Profile™ 30" Smart Slide-In Front-Control Induction Fingerprint Resistant Range with In-Oven CookCam™

FEATURES AND BENEFITS

Fingerprint Resistant Stainless – A stainless finish that makes it easy to keep your appliances free of smudges and prints.

Fit Guarantee – This induction range will fit your existing 30" cut-out, or GE Appliances will help pay for modifications up to \$300.

Induction Cooktop – An induction cooktop makes stovetop cooking fast and efficient, with more precise temperature control and easy cleanup.

Touch Controls – Glide touch controls let you control the cooktop with the swipe of a finger and are easy to clean thanks to seamless integration.

Synchronized Clocks and Lights – Synchronize your oven and GE Appliances over-the-range microwave so that clocks are always matching and lights and ventilation automatically come on when a burner is activated with Chef Connect.

WIFI-ENABLED FEATURES

Designed for Precision – This range offers a suite of industry leading precision and control features, including our popular In-Oven CookCam, Guided Cooking Platform, Cooktop sensor, Sous Vide, and Precision Oven modes.

In-Oven CookCam – This oven is equipped with a heat resistant in-oven camera that lets you monitor your food from your smart device through the SmartHQ app.

Precision Cooktop Sensor – A precision cooktop sensor lets you control the temperature of any induction-ready pan on your device or the range's display.

Guided Cooking – This range is equipped with guided cooking from Hestan Cue to help streamline your cooking with a system that combines video-guided recipes from chefs with automatic time, temperature and cooking pace adjustments.

Sous Vide Capability – A sous vide-enabled cooktop lets you achieve perfection on the stove with a precision cooking probe.

Precision Oven Modes – Simplify the cooking process with precision oven modes that automatically track progress, and make time and temperature adjustments.

Built-in WiFi – This smart oven features built-in WiFi so you can control oven functions with the SmartHQ app on your smart device.

No Preheat Air Fry – With this air fryer right in the oven, you can cook healthier, crispier versions of your favorite foods. There's no preheat required and it shortens the cook time because every minute counts.

Model PHS93XYPFS – Fingerprint Resistant Stainless Steel



Visit geappliances.com for more info

