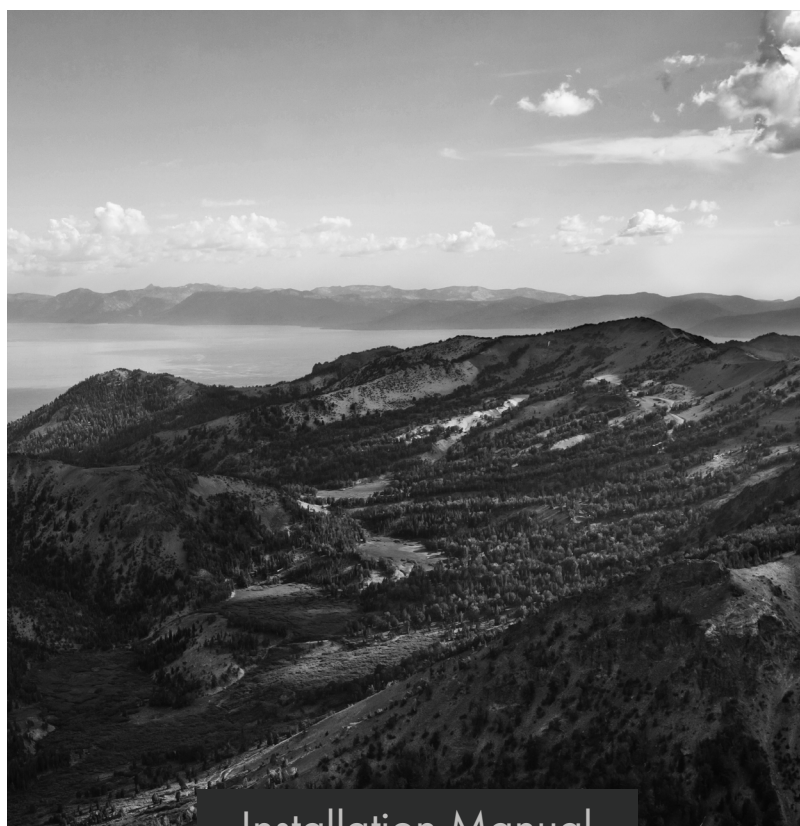


# ZLINE

ATTAINABLE LUXURY<sup>®</sup>



Installation Manual


## BUILT-IN REFRIGERATORS

[www.zlinekitchen.com](http://www.zlinekitchen.com)



ZLINE Kitchen and Bath provides Attainable Luxury, where the kitchen and bath of your dreams is never out of reach. Through our unique designs and unparalleled quality, we're dedicated to providing you an elevated experience in the heart of your home. With an endless selection of features and finishes, our inspiration is your reality.

ZLINE is fueled by a passion for innovation; A relentless pursuit of bringing the highest end luxury designs and professional features into everyone's homes. Because we continually strive to improve our products, we may change specifications and designs without prior notice.

 **WARNING:** This product can expose you to chemicals including nickel, which is known to the State of California to cause cancer. For more information, go to [www.P65Warnings.ca.gov](http://www.P65Warnings.ca.gov).



**ZLINE**  
ATTAINABLE LUXURY®

# WARRANTY

## COVERAGE

ZLINE Kitchen and Bath refrigerators have a one year parts and service warranty and a five year parts warranty on the sealed system. This is from the original purchase date for the original purchaser of the product.

## TERMS

This warranty applies only to the original purchaser of the product installed for normal residential use. This is defined as a single-family, residential dwelling in a non-commercial setting. Commercial settings include but are not limited to: schools, churches, hotels, restaurants, vacation rentals such as Airbnb, day care centers, private clubs, fire stations, common areas in multi-family dwellings, nursing homes, food service locations, and institutional food service locations such as hospitals or correction facilities. This warranty is non-transferable and will not be extended based on the date of installation. The warranty applies only to products installed in the continental United States and the District of Columbia. Warranty shall not apply and ZLINE Kitchen and Bath is not responsible for damage resulting from negligence, improper maintenance, misuse, abuse, alteration of or tampering with the appliance, accident, natural disaster, improper electric supply, unauthorized service or repair, improper installation, or installation not in accordance with the instructions contained in the manual or the local codes.

## WHAT IS NOT COVERED

1. Start-up damages or problems caused by improper installation or use.
2. Damage related to unauthorized service or unauthorized parts.
3. Installation in any commercial or non-residential application.
4. Aesthetic damage, scratches, or natural wear caused by normal use.
5. Second-hand, open box products, or products purchased from an unauthorized retailer.

# TABLE OF CONTENTS

SAFETY INSTRUCTIONS	1
PRE-INSTALLATION PROCEDURES	4
INSTALLATION	9

# IMPORTANT SAFETY INSTRUCTIONS

PLEASE READ THIS MANUAL BEFORE USING THE PRODUCT

- Always follow the applicable safety instructions.
- Keep the user manual in an easily accessible place for further use.
- Please read all the other documents provided with the product.
- Please keep in mind that this manual may apply to several product models.
- This manual expressly indicates the differences between various models

Symbols used in the installation manual are as follows.



Important information and useful hints.



Conditions that may damage the product or its operating functions



Conditions containing serious injury risk



Conditions containing electric shock risk



Packaging materials of the product have been manufactured from recyclable materials in accordance with our National Environment Regulations.

# IMPORTANT SAFETY INSTRUCTIONS



WARNING

## R600A REFRIGERANT

This product contains R600a isobutane refrigerant, which is a very eco-friendly natural gas. However, it is also flammable. Please follow the warnings given below:

- If the product has been transported horizontally, you must wait for 4 hours minimum before plugging it in.
- The following instructions must be followed during installation:
- Dimensions of the installation area must be suitable.
- Dimensions, features and position of the object used to support and fix the product to this area must be suitable.
- Minimum clearances between product parts and surrounding structures must be suitable.
- Minimum dimensions and proper organization of ventilation holes must be observed.
- The product must be connected to the mains power, and corresponding connections of other components must be suitable.
- The product must be disconnectable from the power supply after installation.
- The socket or fuse must be accessible to de-energize the product.
- Extension cables or ungrounded (two-terminal) adapters must not be used.



ATTENTION

You must wear gloves and eye protectors when installing the product. You must also take measures against high noise levels when drilling the floor or using a drill.



ATTENTION

Make sure that your product is suitable for your local codes.



ATTENTION

The product must be installed by a qualified technician according to the installation instructions.



WARNING

The product may tip over since it is quite heavy. For this reason, precautions must be taken against tipping over. The doors of the product must be kept closed until it reaches the destination and it must be transported in accordance with the installation instructions.

# IMPORTANT SAFETY INSTRUCTIONS

## DISPOSING OF THE PACKAGING MATERIALS

The package has been designed to protect the product during transport.

The packaging materials used for the product do not harm the nature during disposal and they need to be recycled.

All plastic packaging materials, bags etc. must be disposed safely and kept out of the reach of children.

Please return the packaging to your dealer.



This installation manual has been prepared to help installation teams. The User Manual provided with the product must also be taken into consideration.

You may get seriously injured and your product may get damaged if you ignore the warnings given in this manual. Please read the following carefully.

## COMPLIANCE WITH THE WEEE DIRECTIVE AND DISPOSING THE WASTE PRODUCT:

This product conforms to the EU WEE Directive (2012/19 EU).

This product bears a classification symbol for waste electrical and electronic equipment (WEEE).

This product has been manufactured from high quality parts and materials which can be reused and are suitable for recycling.

Therefore, do not dispose the product with normal domestic waste or other waste at the end of its service life.

Take it to a collection center for recycling electrical and electronic equipment.

Please consult local authorities to learn about the locations of such collection center.





# BEFORE INSTALLATION

## CLIMATE CLASS

CLIMATE RANGE	AMBIENT TEMPERATURE OF THE ROOM	This appliance has been designed to be used in certain climate ranges (ambient temperatures). It must not be used out of this range.
N	Between +61°F (16°C) and +90°F (32°C)	
ST	Between +61°F (16°C) and +100°F (38°C)	

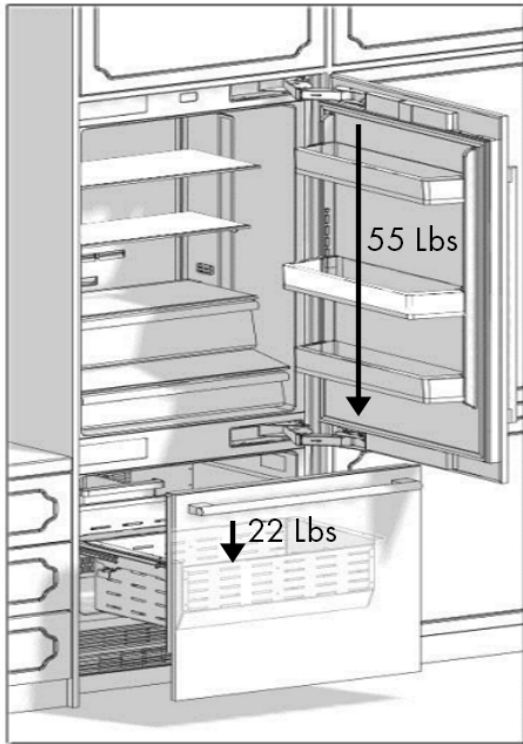
## PRODUCT WEIGHT

CATEGORY	RBIV-30	RBIV-36
PRODUCT WEIGHT	342 lbs (155 kg)	355 lbs (161 kg)

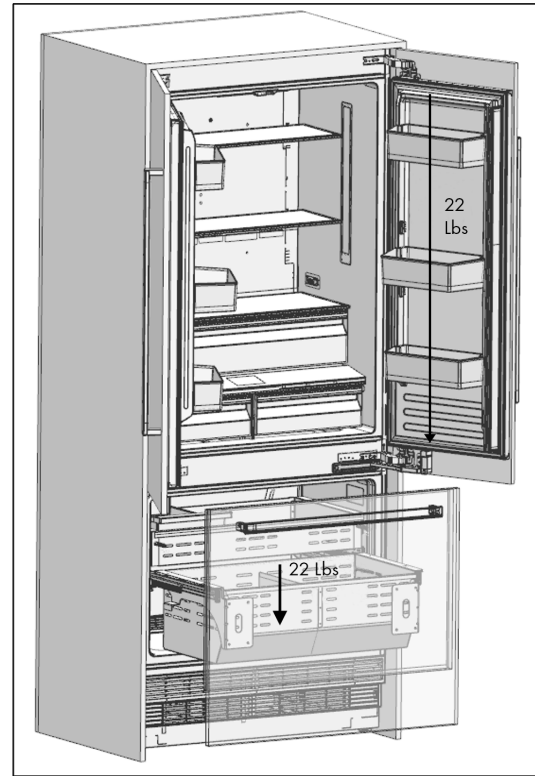
## LOAD BEARING CAPACITY OF THE DOORS

MAX LOAD	RBIV-30	RBIV-36
FRIDGE DOOR	55 lbs (25 kg)	22 lbs (10 kg)
FREEZER DOOR	22 lbs (10 kg)	22 lbs (10 kg)

# BEFORE INSTALLATION



RBIV-30



RBIV-36

## INSTALLATION ENCLOSURE

You must follow the instructions below:

- The floor on which the product will be installed must be capable of bearing 1,200 pounds (544 kg) minimum.
- Kitchen floor and the bottom of the product must be at the same level. Otherwise, the air flow for the cooling system may be impeded or reduced.
- There must be no objects preventing the installation of the product at the back and on the side walls of the product's installation place.
- The electrical outlet receptacle must be at the correct place.
- Dimensions of the cabinets where the product will be installed must be in strict conformity with the dimensions given in the manual.
- Do not install the refrigerator directly adjacent to another refrigerator. Otherwise, condensation and damage as a result may occur. (Please see "Dual Cabin Installation" for detailed information)

# BEFORE INSTALLATION

- Check if the floor where the product will be installed is level. Use a level.
- Installation area must not be subjected to direct sunlight and it must be away from heat sources, ovens, radiators etc.
- The ambient temperature must be between 61 °F (16 °C) and 100 °F (38 °C). Otherwise, function errors may arise when the product is running.
- If it is not possible to avoid installing the product near a heat source, the minimum clearances given below must be maintained between the product and the said source:
  - 1 3/16" (3 cm) from electric hobs or ovens
  - 12" (30 cm) from gas or fuel operated hobs or ovens

Please observe the following rules:

- The dedicated breaker must be easily accessible in case of an emergency; it must not be hidden behind the product.
- Plug or cable must not touch the back surface of the product. Otherwise, it may get damaged due to the vibration of the product.
- Do not connect the plugs of other appliances behind this product.
- If the humidity level is high where the product is used, corrosion may be seen on the outer surface of the product. Keep the installation room dry and well-cleaned to avoid corrosion.

To avoid the risk of electric shock:

- Connect the plug to a grounded electrical outlet receptacle.
- Do not remove the ground terminal of the plug.
- Do not use adapters.
- Do not use extension cables.

# BEFORE INSTALLATION



Failure to follow these instructions may result in death, fire or electric shock. Connecting the grounding conductor of the equipment to an improper place may lead to electric shock. Please have the grounding checked by a qualified electrician or service technician if you have any doubt about the proper grounding of the product.

Installation, repair and other procedures performed by unqualified persons may cause danger. Before installing the appliance, make sure that the voltage, load and circuit current parameters on the data plate are in compliance with the power mains in your house.

The appliance is provided with a NEMA 5-15 P plug and a 3-pin power cable which is in the UL list and ready to be connected to a 120 V, 60 Hz power supply. Fuse is 15 A. The appliance must be connected to an electrical outlet receptacle. The plug must be installed only by a licensed electrician.

If the electrical wiring or the electric power supply of the house needs alteration, the necessary procedures must be performed by a qualified electrician.



Do not install your refrigerator:

- In open areas
- In environments where water is dripping
- In environments where temperature is lower than 61° F (16° C)

## CABINETS

Make sure that the cabinets where you will install the appliance has been safely mounted in your kitchen. Your cabinets must be connected to the floor and the wall properly and with suitable connections.

For the best installation, clearances between the cabinets and the product must be in compliance with the values specified in the installation instructions.

Side walls must be free of clearances and their surfaces must be flat. **Minimum thickness of the side walls is 5/8" (16 mm).**

**Note: Minimum thickness of the doors to be attached to the product must be 3/4" (19 mm).**

# BEFORE INSTALLATION

## VENTILATION

Vent panels where the air enters and exits the unit must not be blocked or obstructed. In addition, you must periodically clean the dust and dirt that accumulate on these holes in time.

## ELECTRICAL CONNECTION

- Never use an extension cable.
- The electrical outlet receptacle must be grounded and checked by an authorized person.
- Location of the electrical wiring must comply with the dimensions specified in the manual.



CAUTION

### RISK OF ELECTRIC SHOCK

Electrical grounding is necessary. This appliance is equipped with a three-pin plug to protect you against possible electric shocks.

- Do not remove the round grounding terminal from the plug.
- Do not use two-pin grounding adapters.
- Do not use extension cables to energize the product.



ATTENTION

Do not connect the grounding cable to the gas pipe. Please have the grounding checked by a qualified electrician if you are not sure about the grounding of the product. Do not install a fuse on the neutral line or grounding circuit.



WARNING

Please wait for 3-6 hour before energizing the product to protect it against possible damages. This way, the refrigerant and the lubricants in the system get balanced.

## WATER CONNECTION:

- Pressure of the mains water must be in compliance with the values specified in the manual.
- Location of the water system must comply with the dimensions specified in the manual.



INFO

Bypass is recommended for the water filtering system if a reverse osmosis system is used.

# INSTALLATION

## TOOL LIST

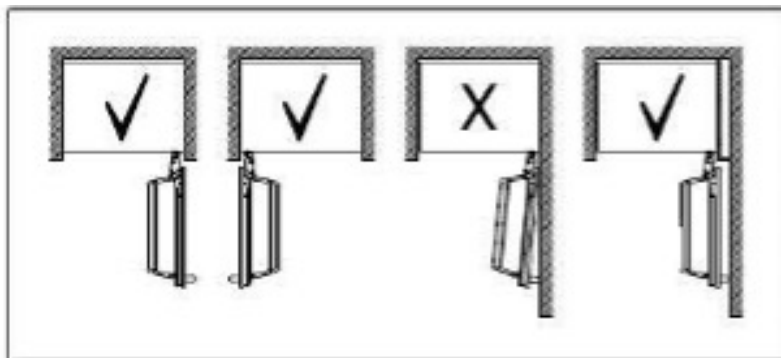
Tools to be used when installing the product are as follows:

TOOLS REQUIRED (NOT PROVIDED)	
<ul style="list-style-type: none"><li>• Cordless Drill</li><li>• Safety Goggles</li><li>• 1/2" Wrench</li><li>• Hammer</li><li>• Ladder</li><li>• 3/32" Drill bit</li><li>• 5/16" Drill bit</li><li>• Box Cutter</li></ul>	<ul style="list-style-type: none"><li>• Safety Gloves</li><li>• Tape measure</li><li>• 1/4" Torx</li><li>• 1/4" Wrench Flat</li><li>• Level</li><li>• Dolly</li><li>• Tape</li></ul>

## ALTERNATIVES FOR INSTALLATION

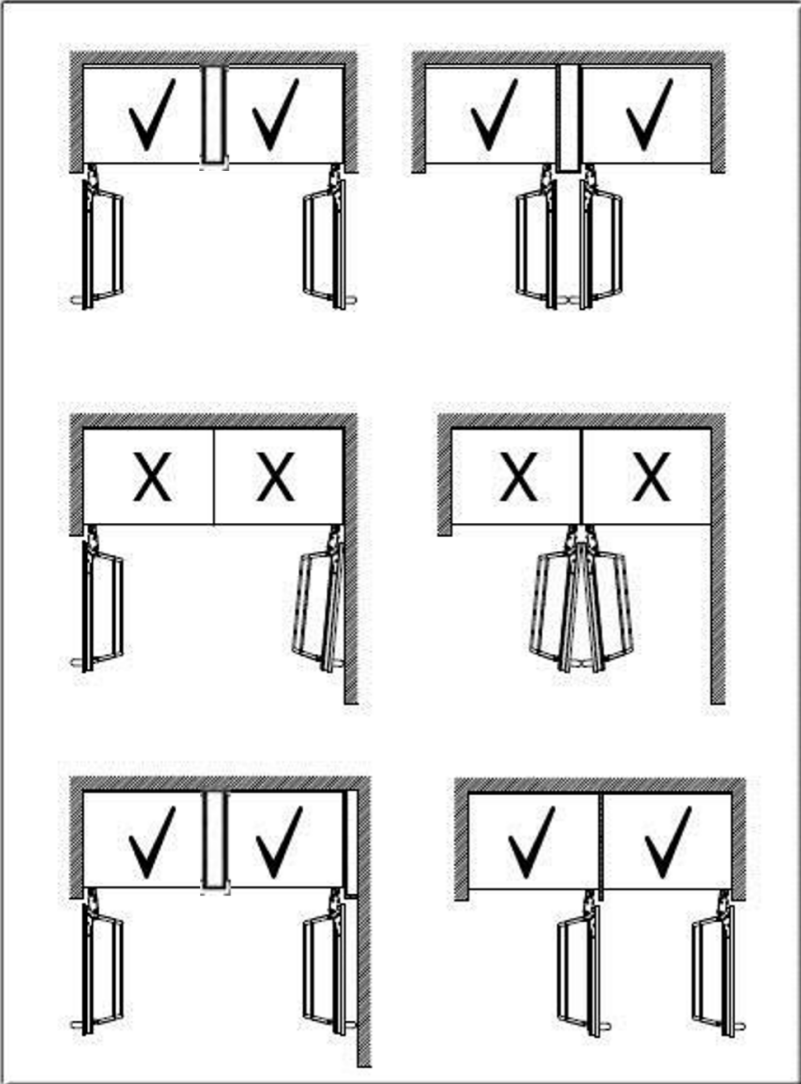
The product can be placed in various ways based on the kitchen design. It must be installed at a place where it is ensured that the door can be opened and closed properly. If the doors cannot be opened 90 degrees at least, you cannot completely open the drawers inside the product.

- Single cabin installation methods



# INSTALLATION

- Dual cabin installation methods



# INSTALLATION

## PREPARATION FOR INSTALLATION

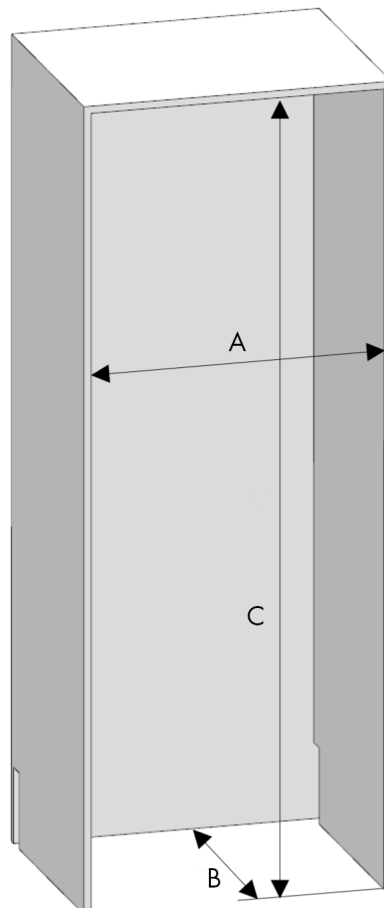
The instructions below have been prepared for a built-in type of refrigerator defined as: the appliance and panels are flush with the front and side of the cabinetry.

The most common installation scenario is refrigerator is mounted in their own box between two kitchen cabinets or decorative columns.

## CABINET DIMENSIONS

Cabinet dimensions below must be checked before starting the installation.

CATEGORY		RBIV-30	RBIV-36
A	Width	30" (762mm)	36" (914mm)
B	Depth	25" (635mm)	25" (635mm)
C	Height	84" (2134mm)	84" (2134mm)





# INSTALLATION

## LOCATION OF THE ELECTRICAL WIRING

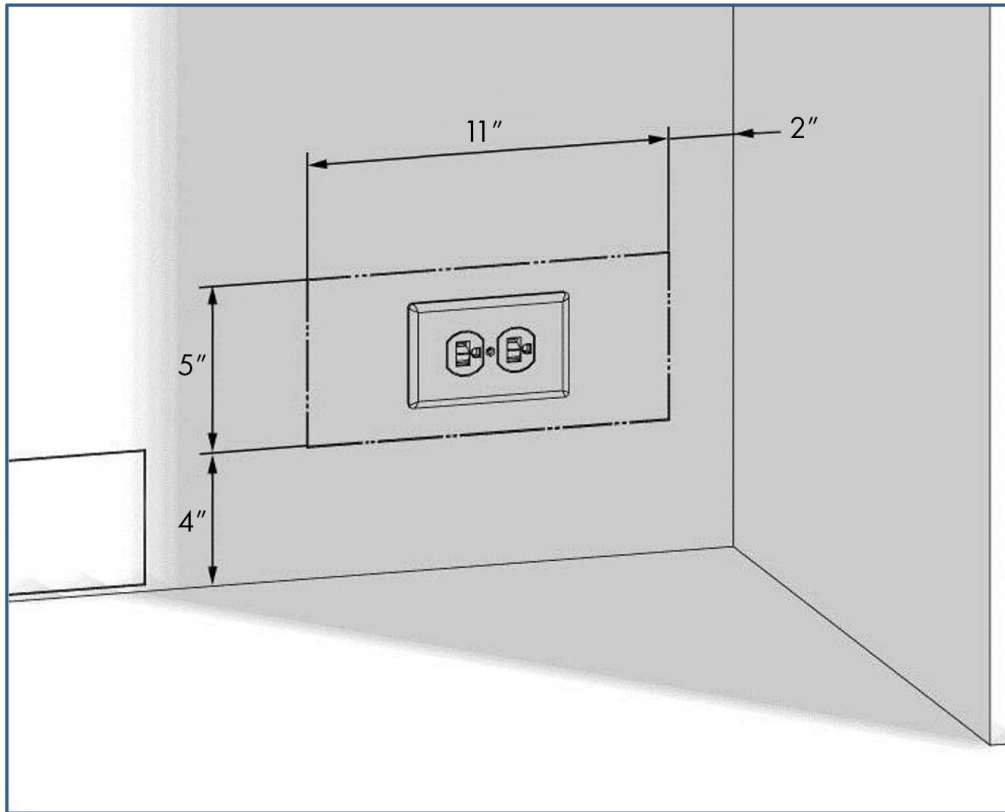
Location of the electrical wiring must be within the range given below.



Do not use extension cables or two-pin adaptors and do not remove the ground terminal of the grounding cable.



A qualified electrician must ensure that the poles of the socket are connected correctly.  
Verify that the grounding of the socket is correct.



# INSTALLATION

## LOCATION OF THE WATER SYSTEM

The water connected to the water mains must be potable.

Location of the water system must be within the range given below.

Water system of the refrigerator must be connected to the water mains system in the house.

The user must be able to switch it on/off with the valve when necessary.

Objects that might pierce the water hoses or cause them to twist must not be present where the water line is installed.

Pressure of the water system must be between 25-80 psi (1.7-5.5 Bar).

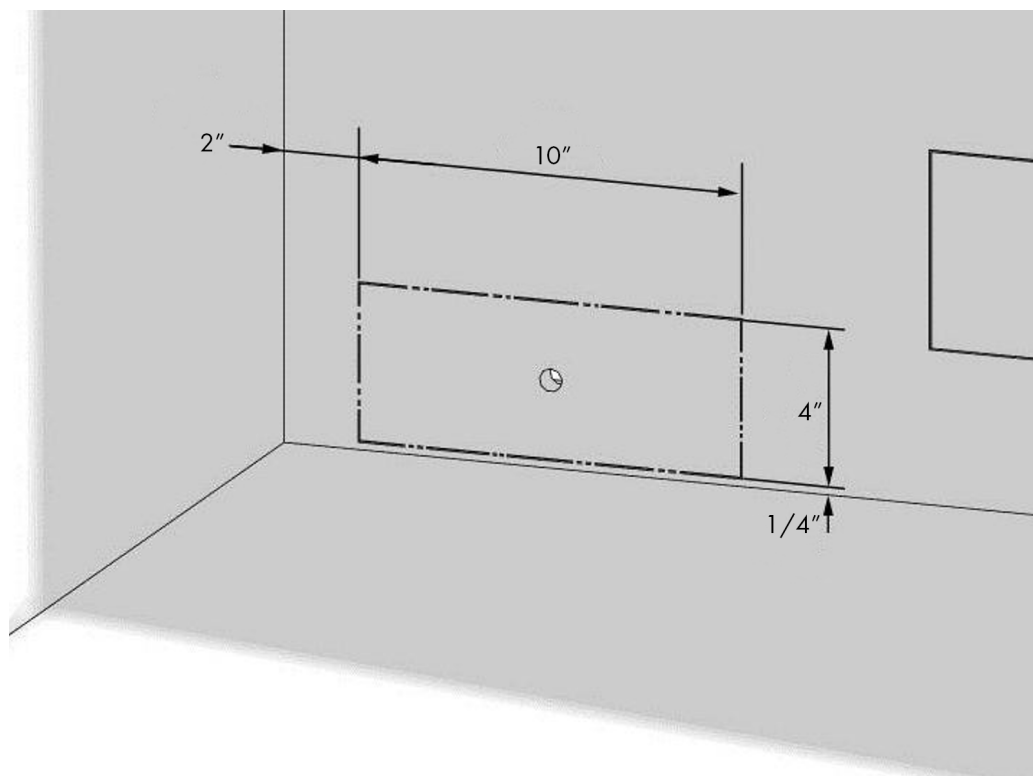
If the water pressure exceeds 80 psi, install a pressure limiting device or water impact protector to the inlet valve. Never install the product or operate the appliance if it is possible for the water pressure to exceed 120 psi.



Make sure that there is no water leakage when making the water connections. Otherwise, there will be water on the floor and the cabinets will get damaged.

You will need a hose with a minimum length of 60" (1.5 meters) and a diameter of  $\frac{1}{4}$ " for water connections of the product during installation. A connector that has a thread with an external diameter of  $\frac{1}{4}$ " must be used to connect the hose end to the product.

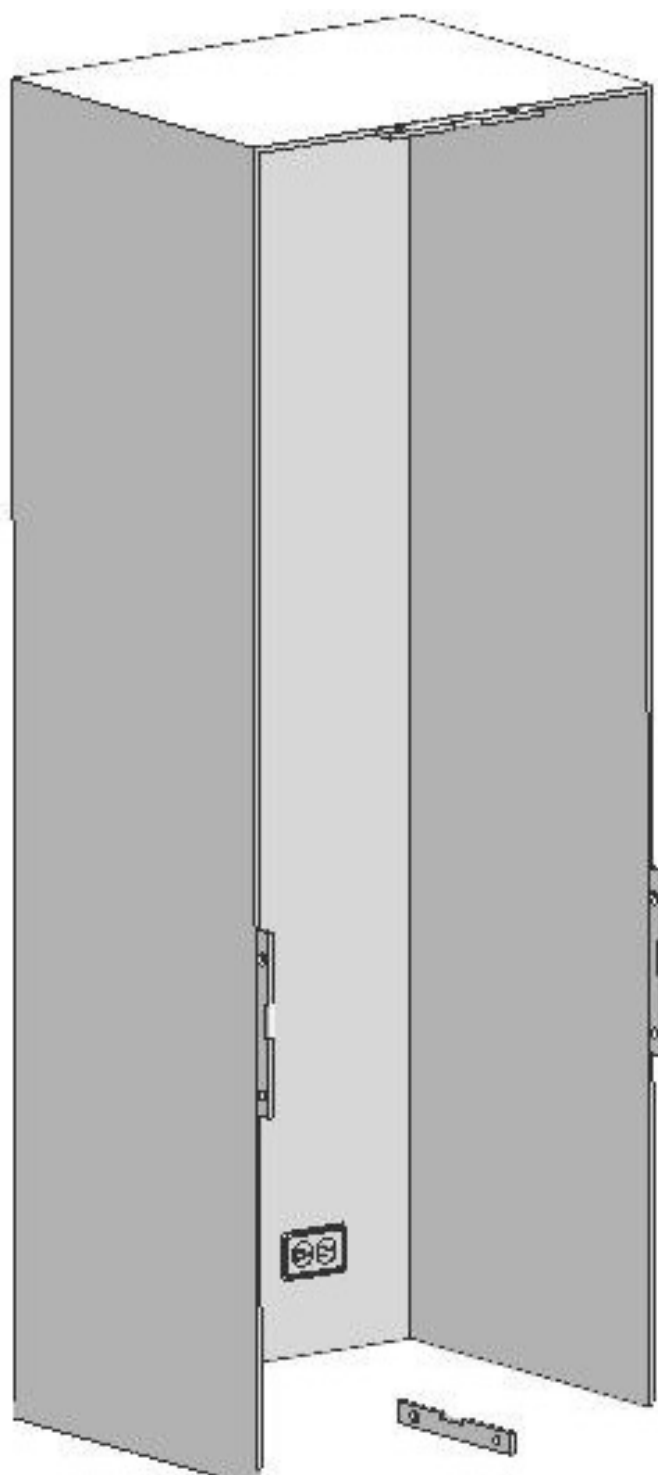
Before completing the installation, make sure that water flows and there is no water leakage. Damage may occur if leaks are present.



# INSTALLATION

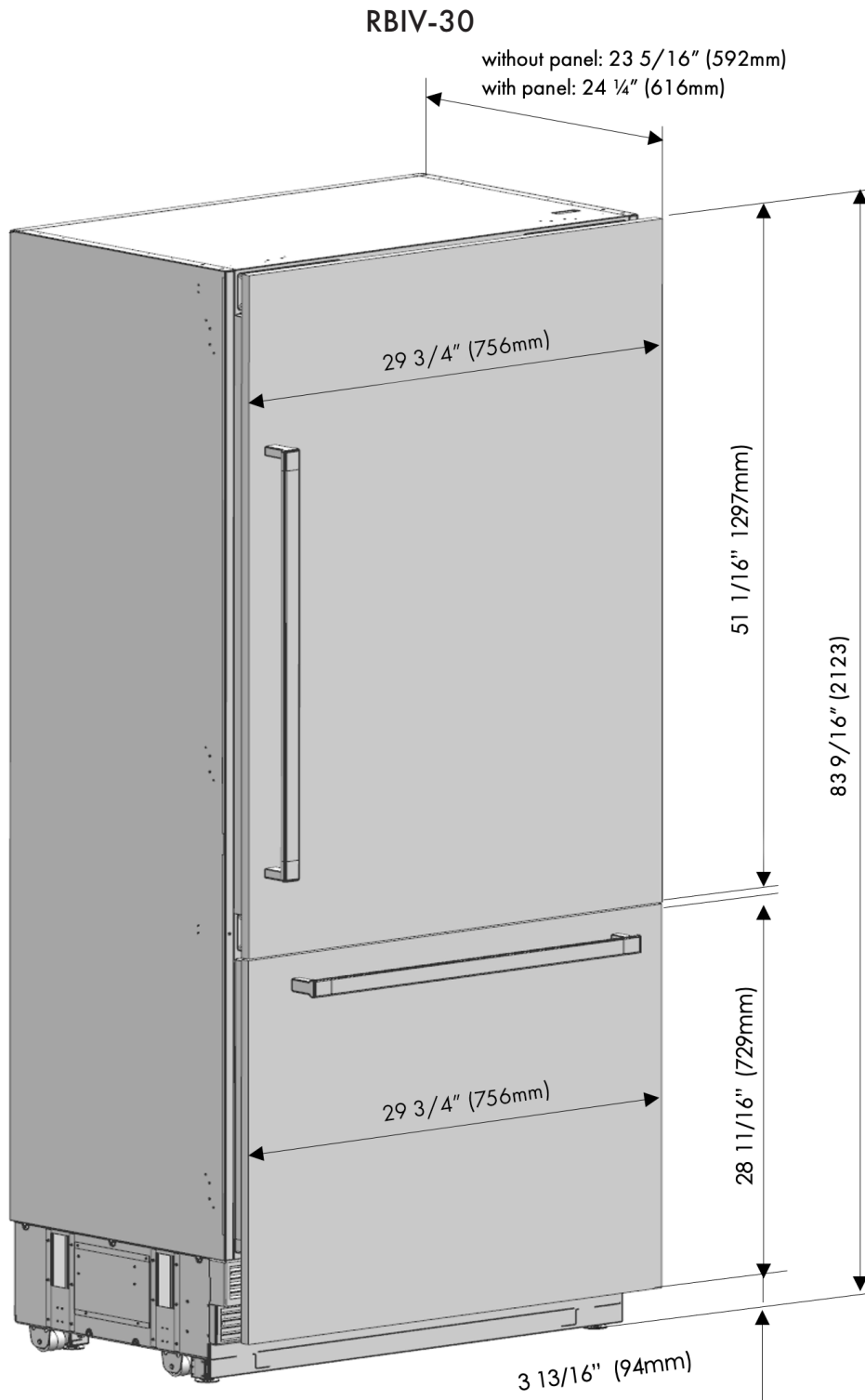


- Check if the floor where the product will be installed is level. Use a level.
- Check if the cabinet flanges are upright and straight using a level.
- If the product is not level and plumb, problems may arise with the installation.

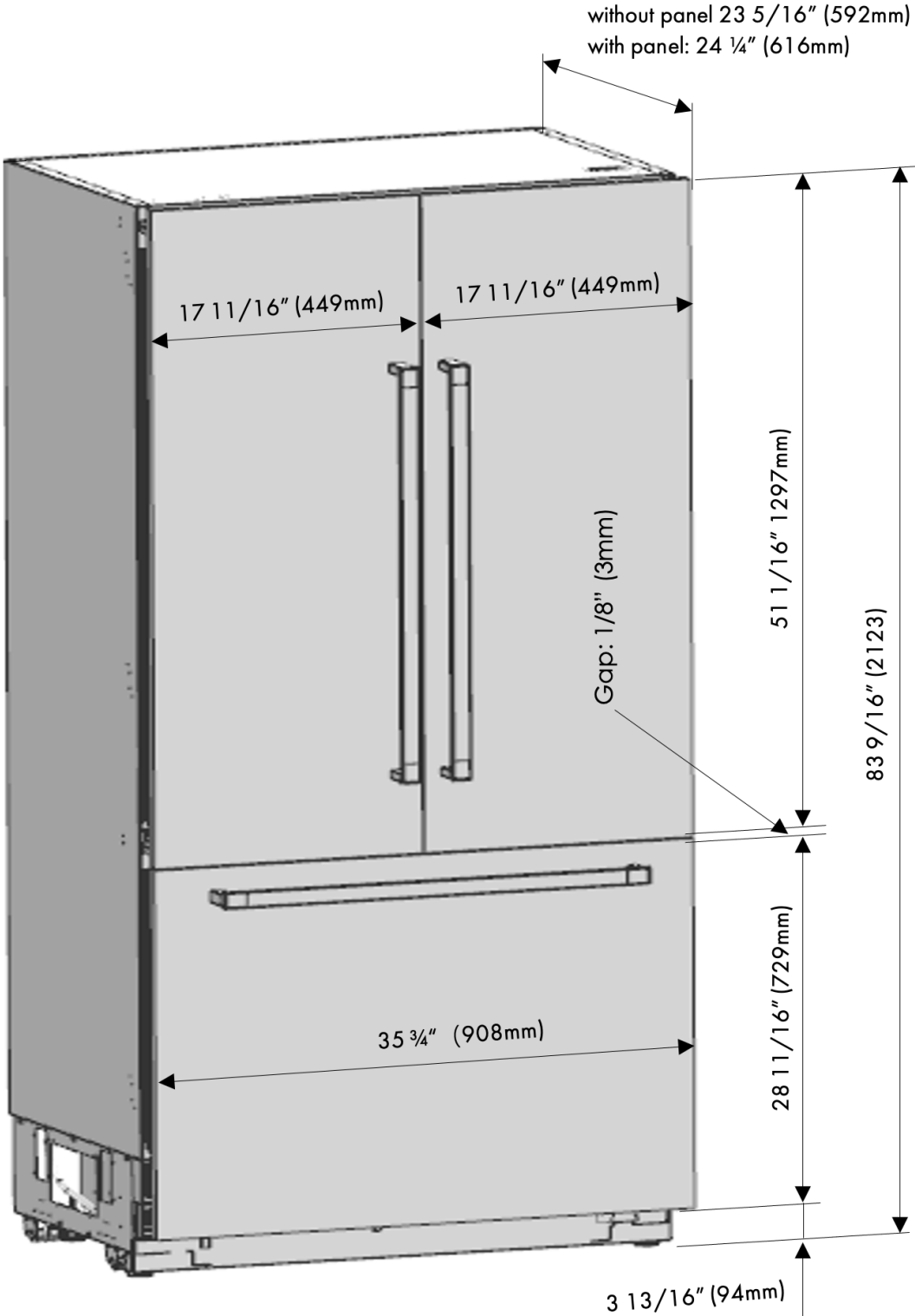


# INSTALLATION

## PRODUCT DIMENSION

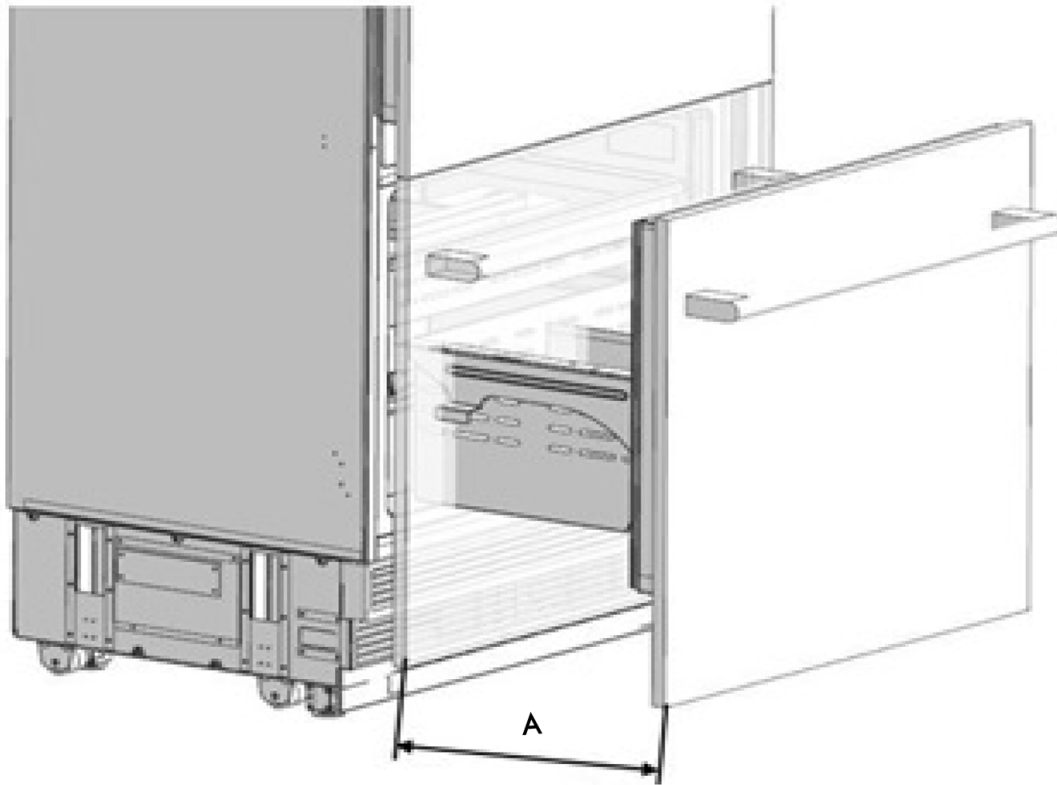


# INSTALLATION

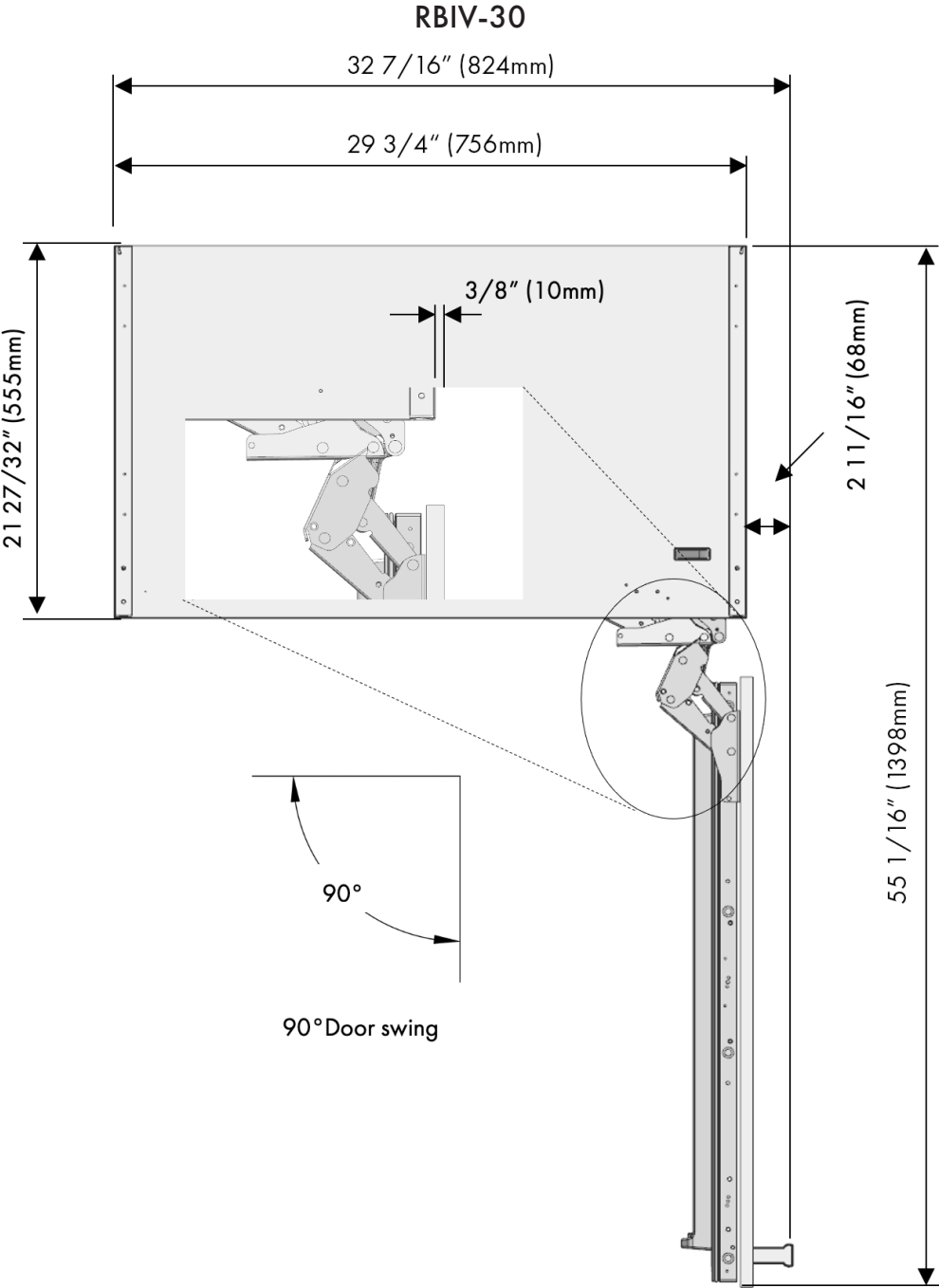


# INSTALLATION

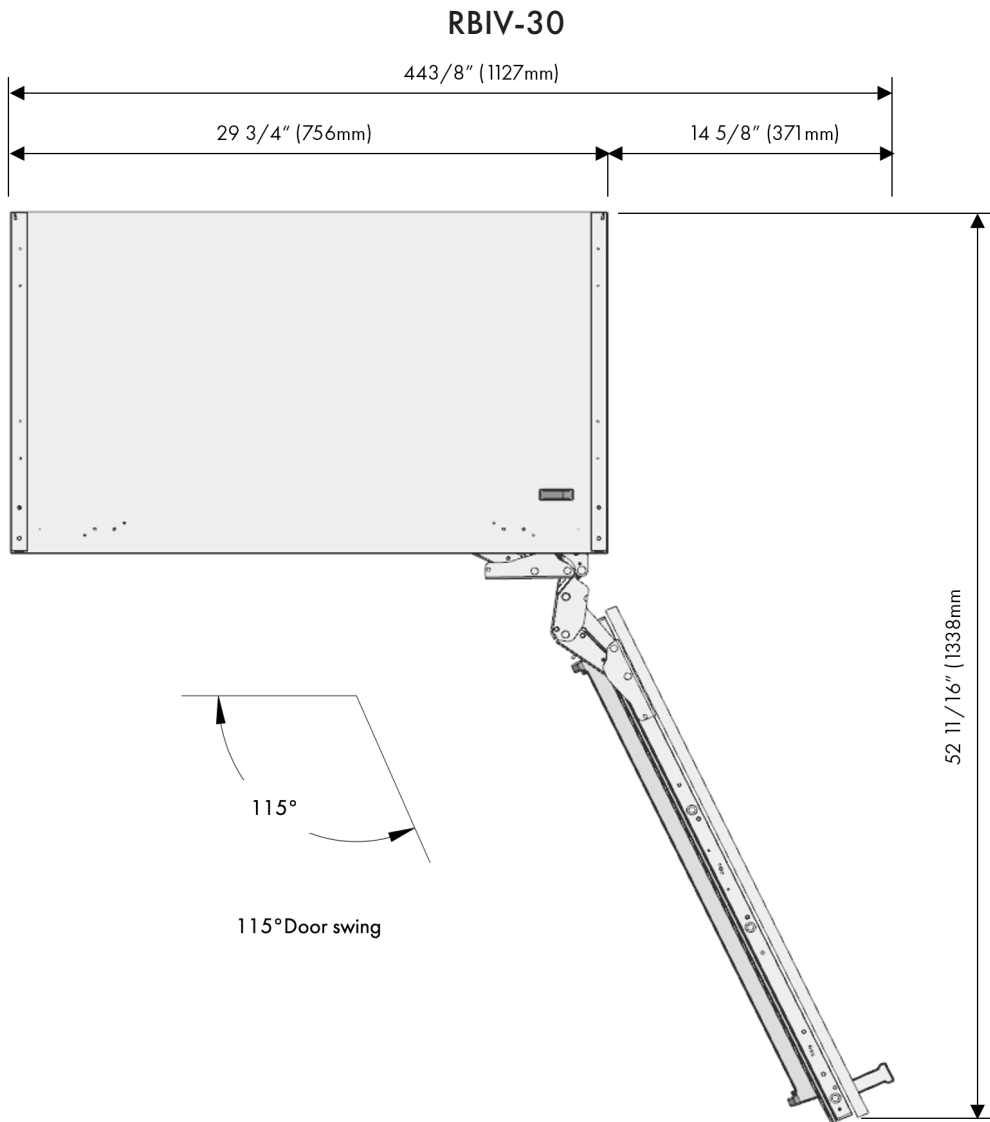
CATEGORY	RBIV-30	RBIV-36
A	15 1/4" (388mm)	15 1/4" (388mm)



# INSTALLATION



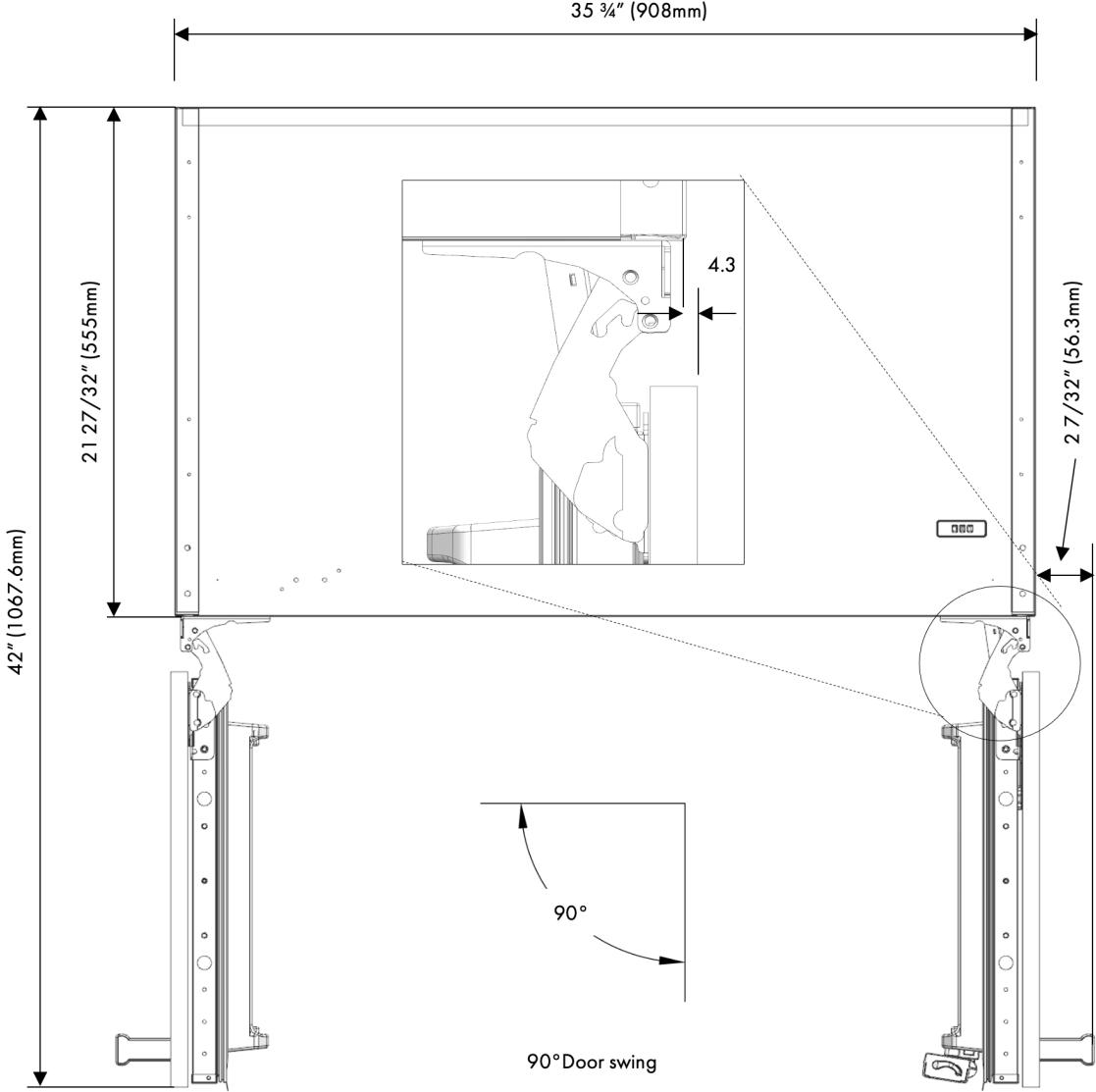
# INSTALLATION



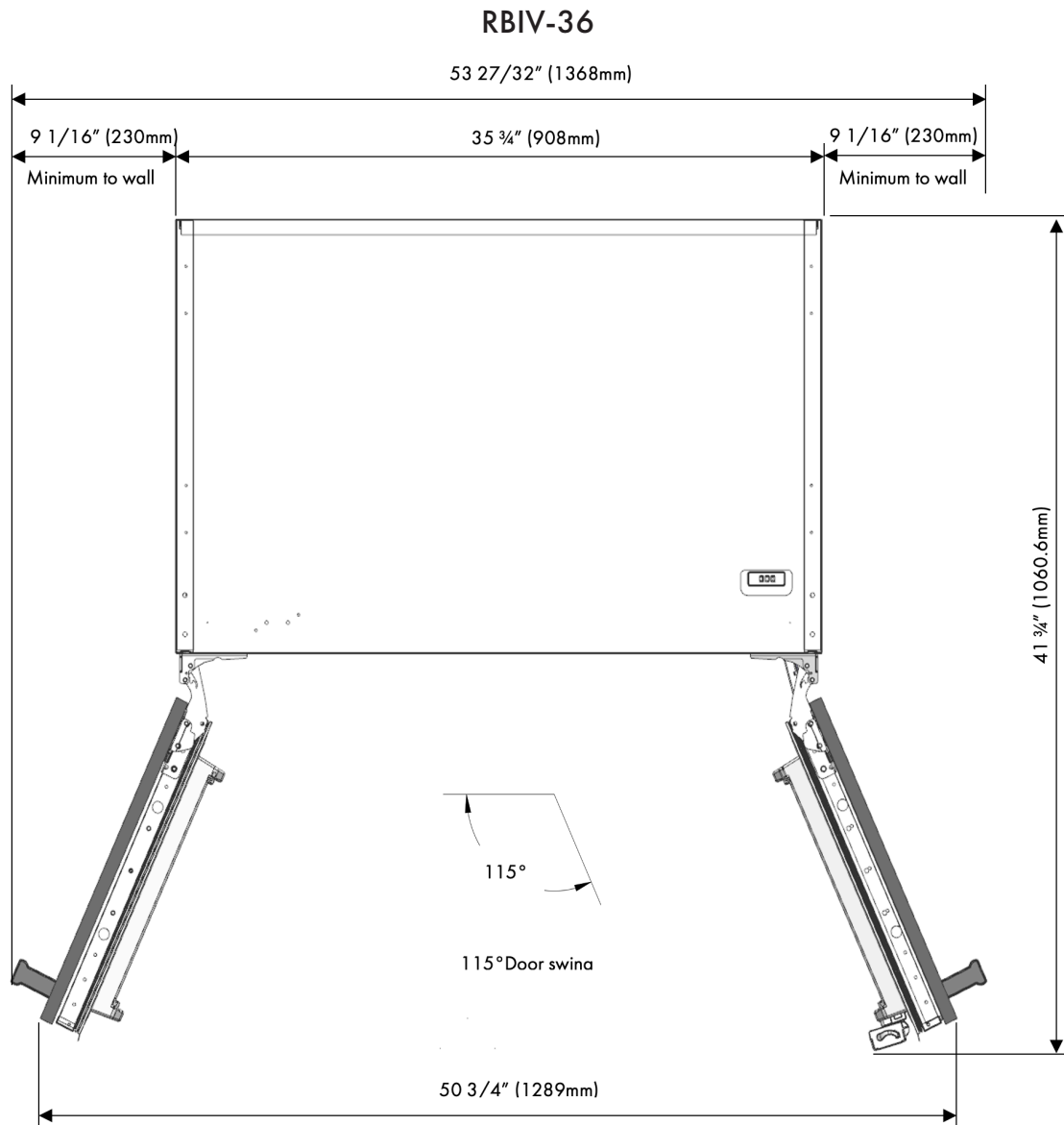


# INSTALLATION

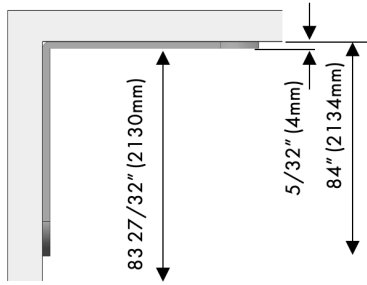
## RBIV-36



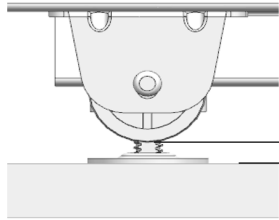
# INSTALLATION



# INSTALLATION

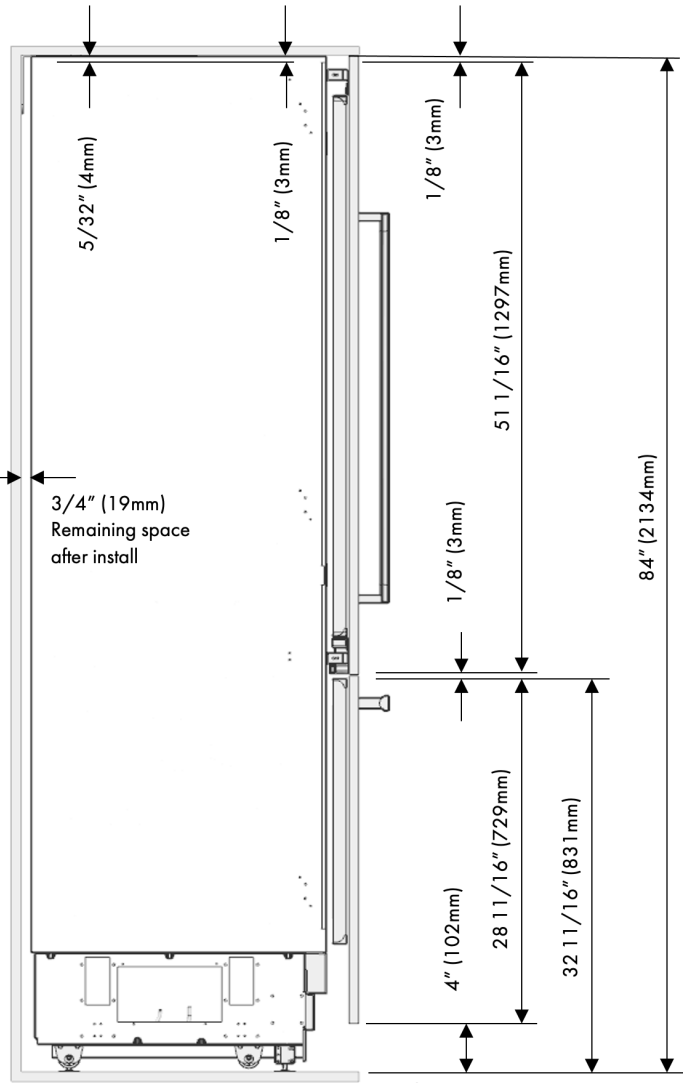


Anti-tip bracket location

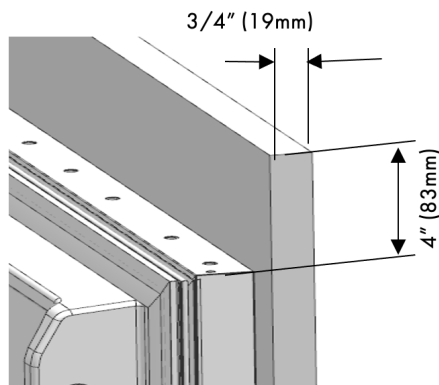


Minimum height adjustment for leveling

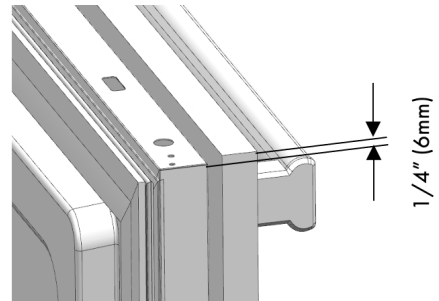
Front  $5/16"$  (8mm)  
Rear  $1/4"$  (7mm)



$3/4"$  (19mm)  
Remaining space  
after install

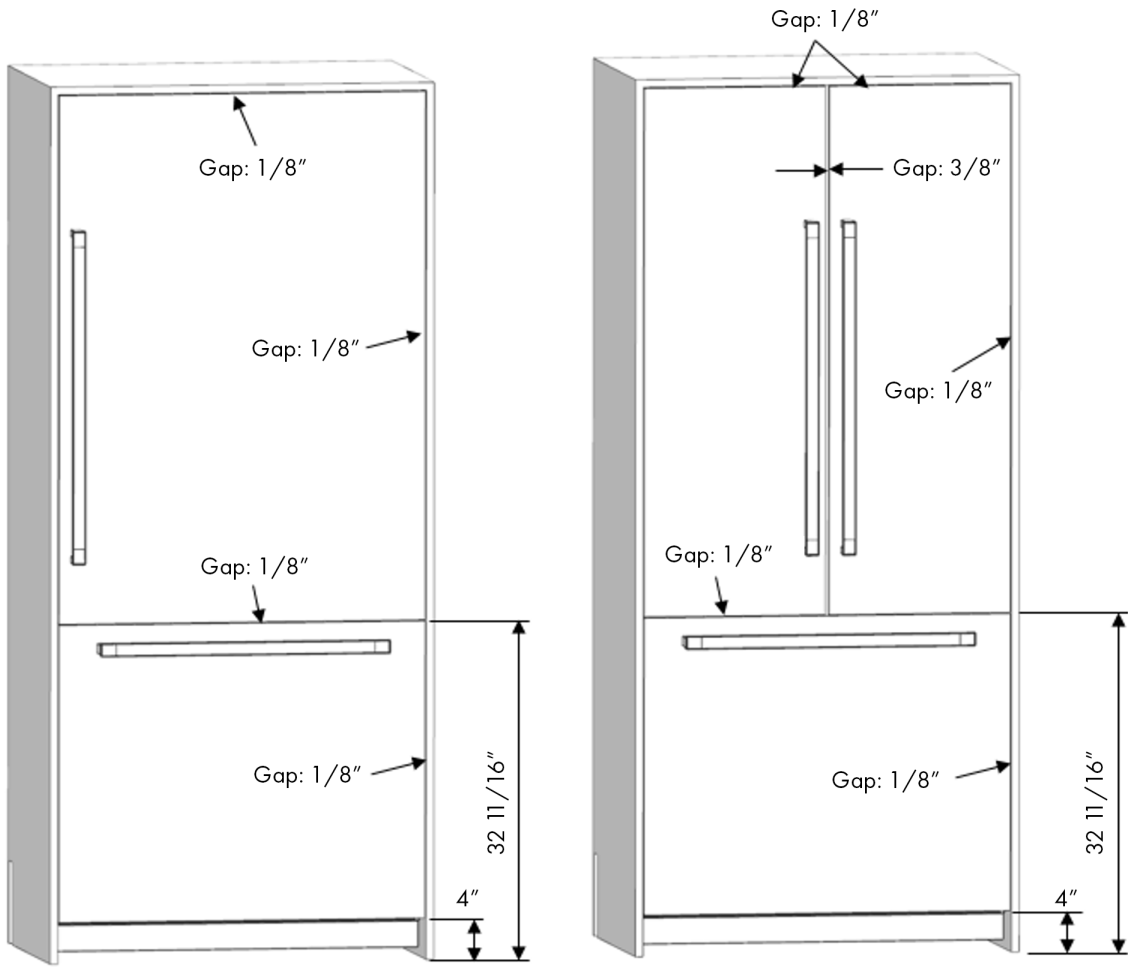


Assembly dimension between  
Wood panel and fridge door



Assembly dimension between  
Wood panel and freezer door

# INSTALLATION



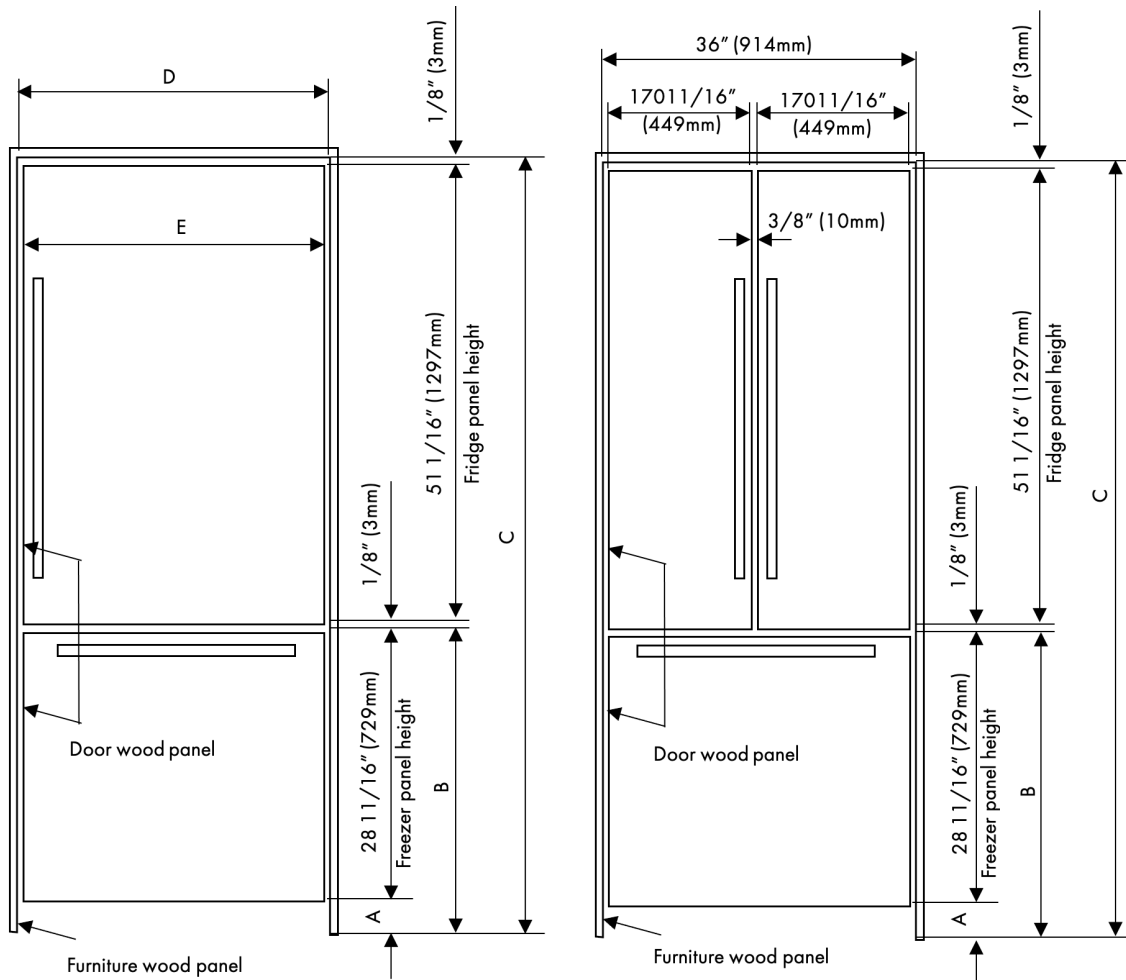
RBIV-30

RBIV-36

# INSTALLATION

## HEIGHT OF THE KITCHEN COUNTERTOP BASED ON THE MIN/MAX. HEIGHT OF THE CABIN

	A	B	C
Standard	4" (102mm)	32 11/16" (831mm)	84" (2134mm)
Minimum	3 13/16" (97mm)	32 1/2" (826mm)	83 13/16" (2129mm)
Maximum	5 3/8" (137mm)	34 1/8" (866mm)	85 3/8" (2169mm)



CATEGORY	RBIV-30	RBIV-36
D	30" (762mm)	-
E	29 3/4" (756mm)	-

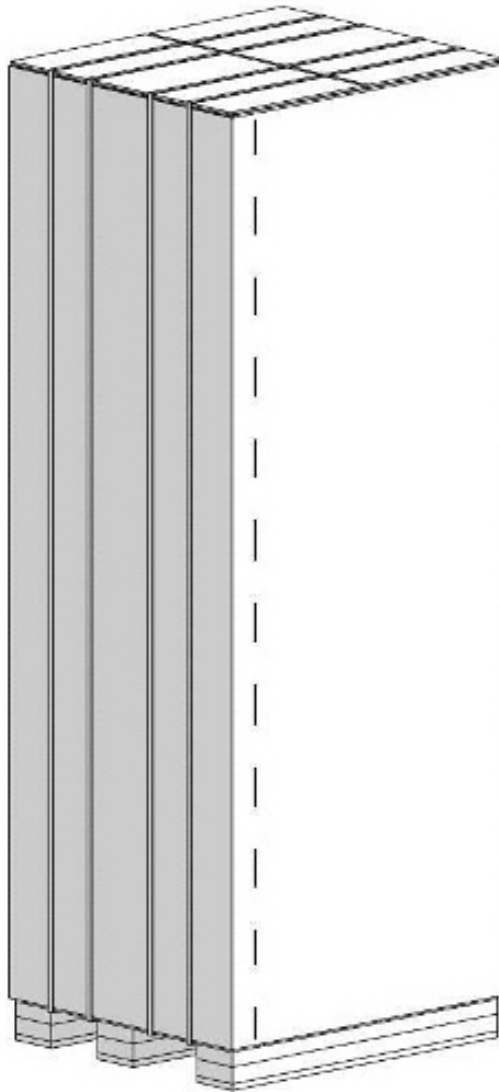
# INSTALLATION

## UNPACKING



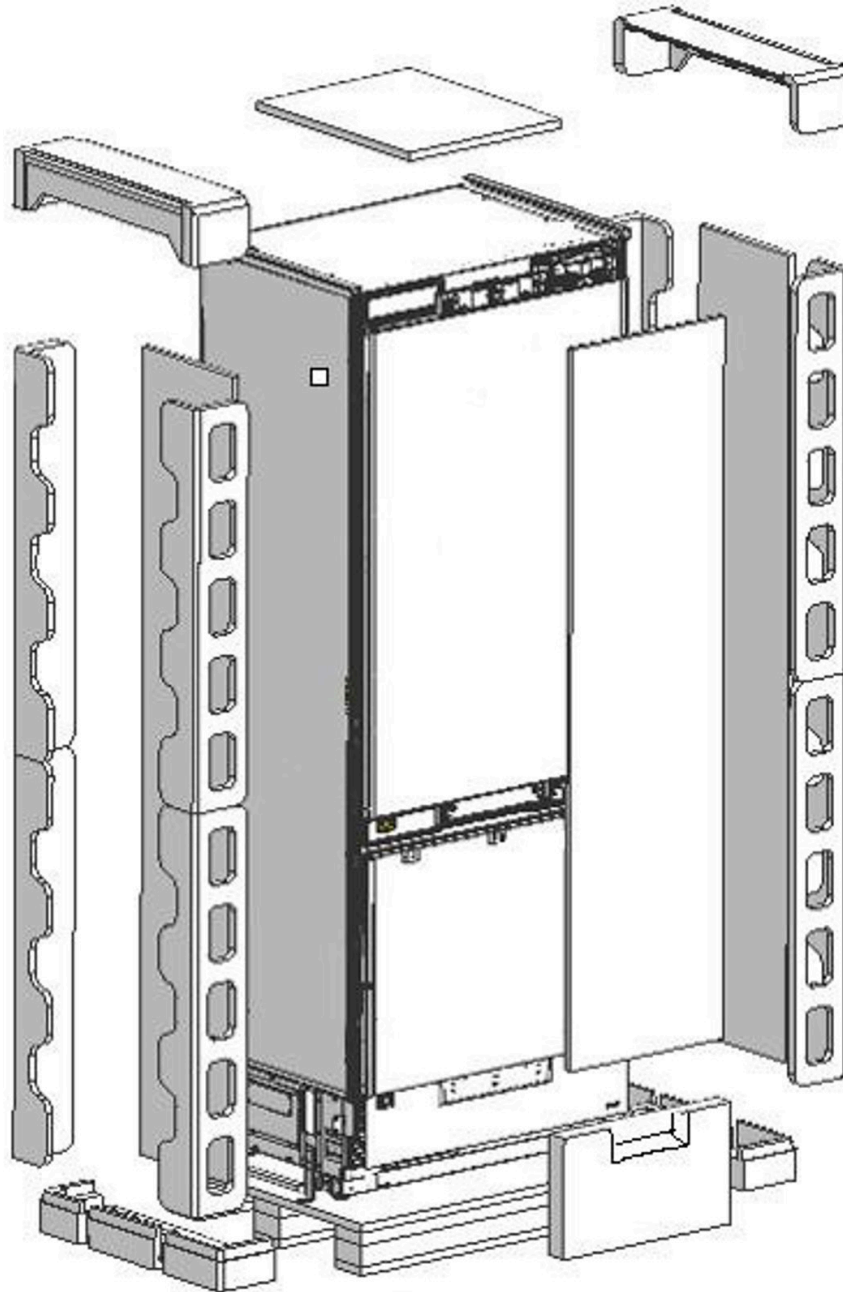
At least two persons must carry the refrigerator.

- Use a box cutter to remove the tapes.
- Cut the Packaging Board with a Box Cutter through the section illustrated in dotted lines and remove it.



# INSTALLATION

REMOVE ALL THE POLYSTYRENE PACKAGING MATERIAL

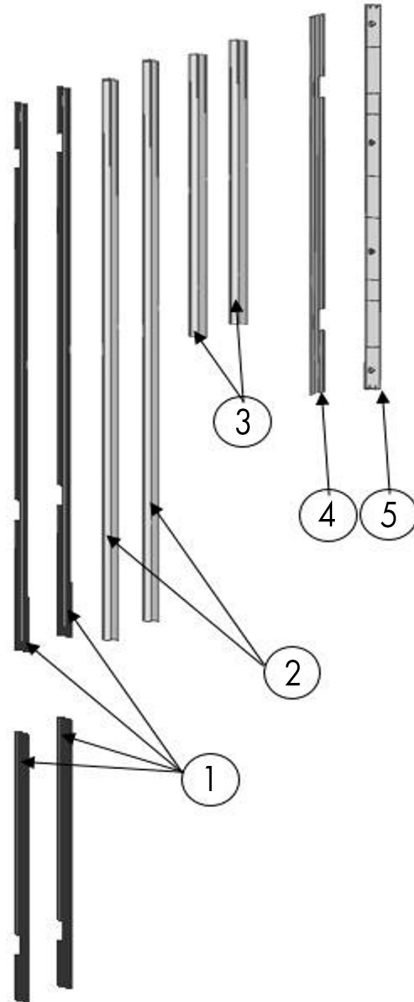


ATTENTION

Do not remove the tape of the upper door on the product until the refrigerator is placed into the cabin.  
Risk of tipping over.

# INSTALLATION

THE REFRIGERATOR TRIMS ARE BOXED AND SECURED TO THE REAR OF THE REFRIGERATOR.

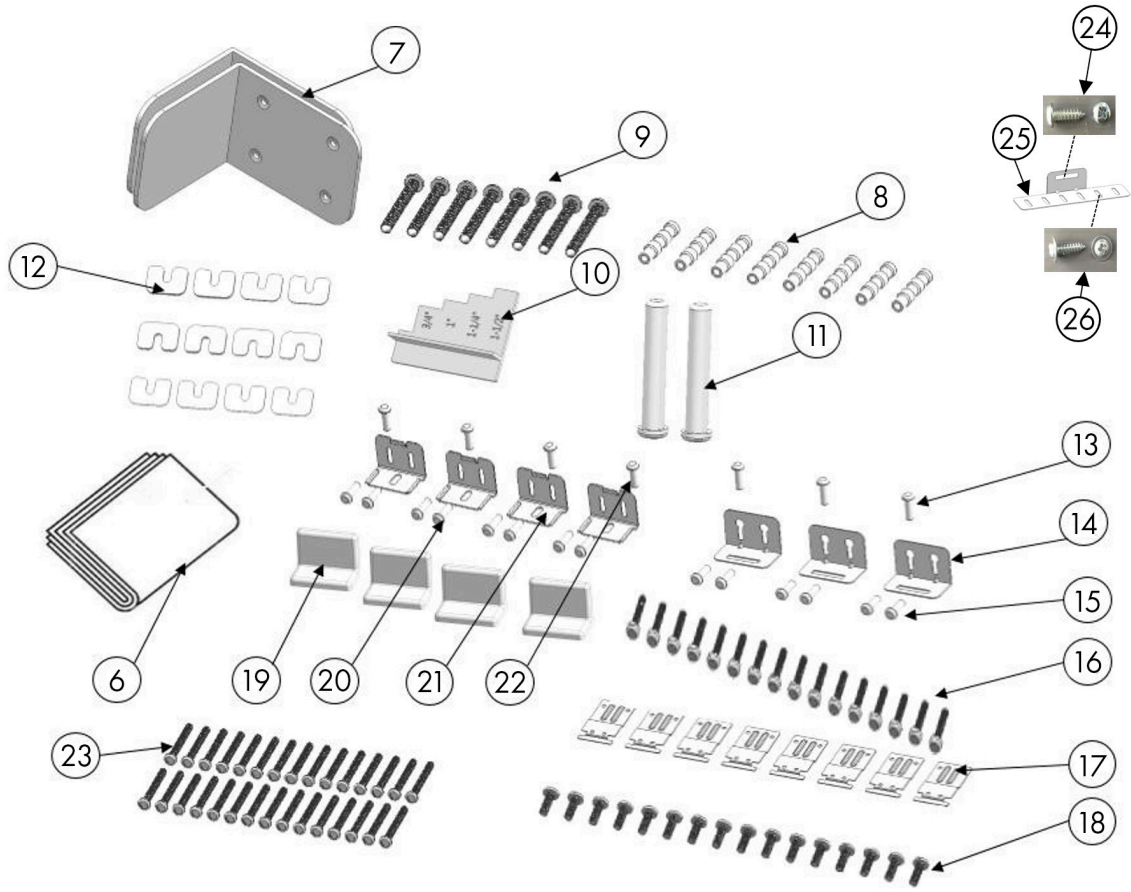


No	PART NAME	SPEC	RBIV-30	RBIV-36
1	Trim fridge cabinet side	PVC extrusion L=617, L=1,259	4	4
2	Trim fridge door side	PVC extrusion L=1136	2	4
3	Trim freezer door side	PVC extrusion L=556	2	2
4	Trim fridge cabinet top	PVC extrusion L=762, L=914	1	1
5	Cover freezer door top	abs	1	1



# INSTALLATION

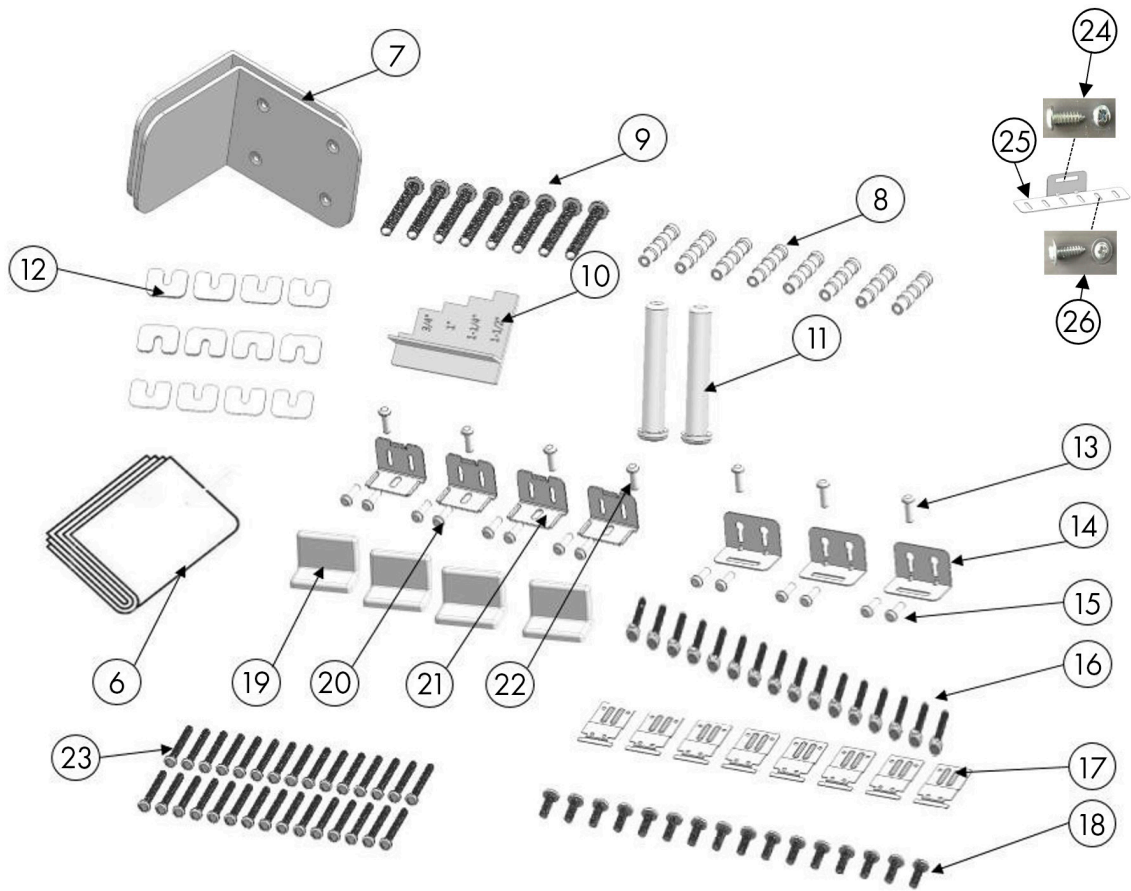
REMOVE MOUNTING PARTS FROM THE FREEZER COMPARTMENT.



No	PART NAME	SPEC	RBIV-30	RBIV-36
6	Template door panel	paper	1	1
7	Anti-tip bracket	T4.0, Zn-coating	2	2
8	Anchor	-	8	8
9	Screw anti tip bracket screws	M8*L60	8	8
10	Position adjustment gauge	ps	1	1
11	90° limiting pins	sus	2	-
12	Spacer freezer door panel	abs	9	9
13	Screw freezer door panel top	ST M4.8x16	3	-
14	Bracket freezer door panel top	T1.0, sus	3	-
15	Screw freezer door panel top	M4*12	6	-
16	Screw cabinet bracket	M4*12	16	16

# INSTALLATION

## REMOVING MOUNTING PARTS IN THE FREEZER COMPARTMENT



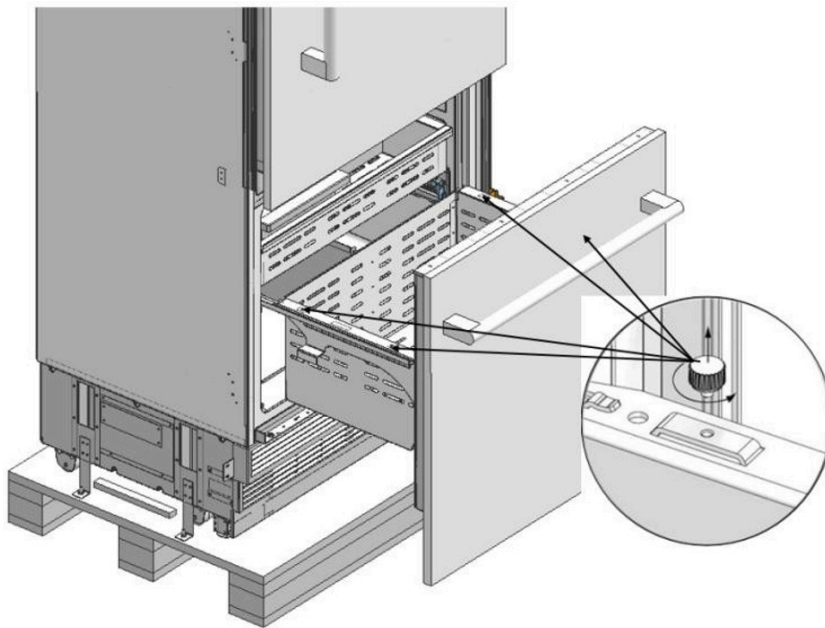
No	PART NAME	SPEC	RBIV-30	RBIV-36
17	Bracket cabinet3	T1.0, Zn-coating	8	8
18	Screw cabinet bracket	ST M4x14	16	16
19	Cover door panel bracket	abs	4	2
20	Screw door panel bracket	M4*12	8	4
21	Bracket door panel	T1.0, sus	4	2
22	Screw door panel bracket	ST M4x14	8	4
23	Screw door panel hanger bracket	ST M4x14	30	34
24	Screw freezer door panel top	ST M4.8x16	-	3
25	Bracket freezer door panel top	T1.0, sus	-	3
26	Screw freezer door panel top	M4*12	-	18

# INSTALLATION

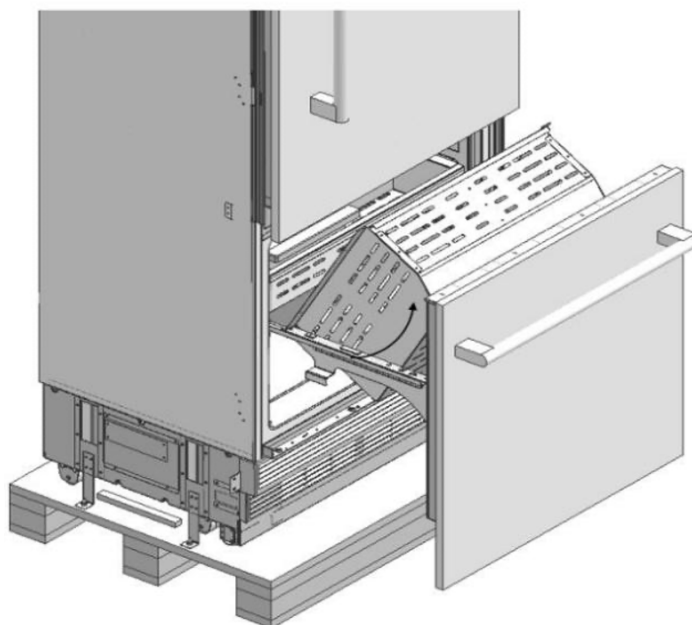
We recommend removing the freezer crisper and door for easier kickplate and feet access.

## REMOVING THE FREEZER CRISPER

- To remove the freezer crisper, unscrew the four knurled screws as shown and put them in a safe place.



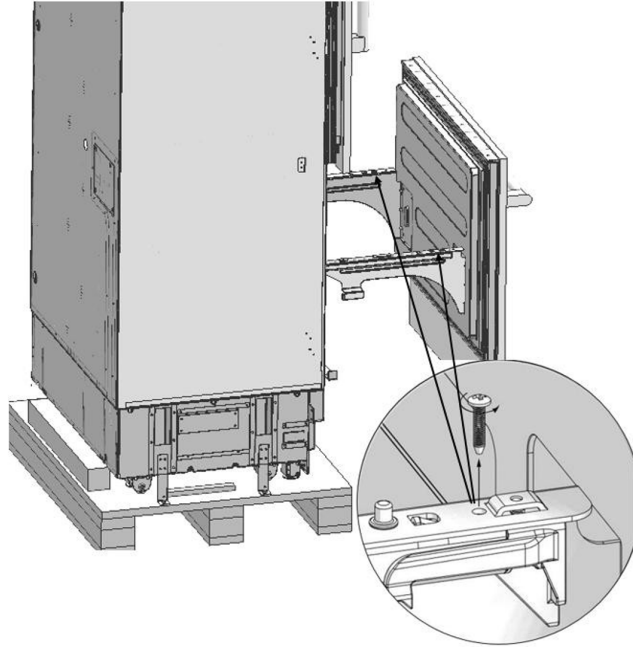
- Remove the Lower Crisper.



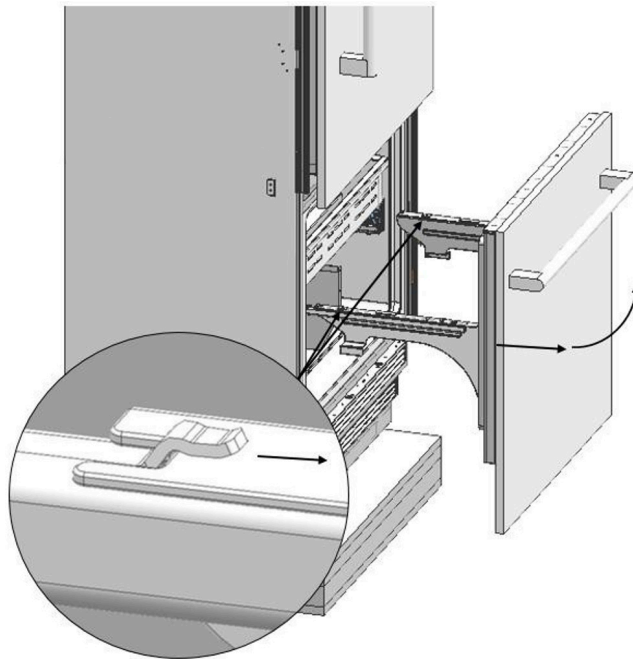
# INSTALLATION

## REMOVING THE FREEZER DOOR

- Locate and remove the two screws near the front section of the support rails that connect to the freezer door.



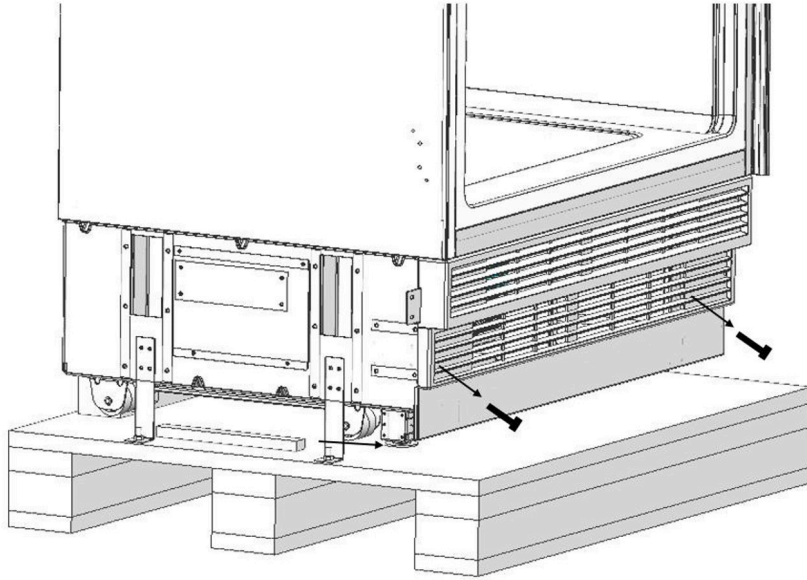
While supporting the door, pull it forward while freeing it from the rear rail lock tabs to remove it.



# INSTALLATION

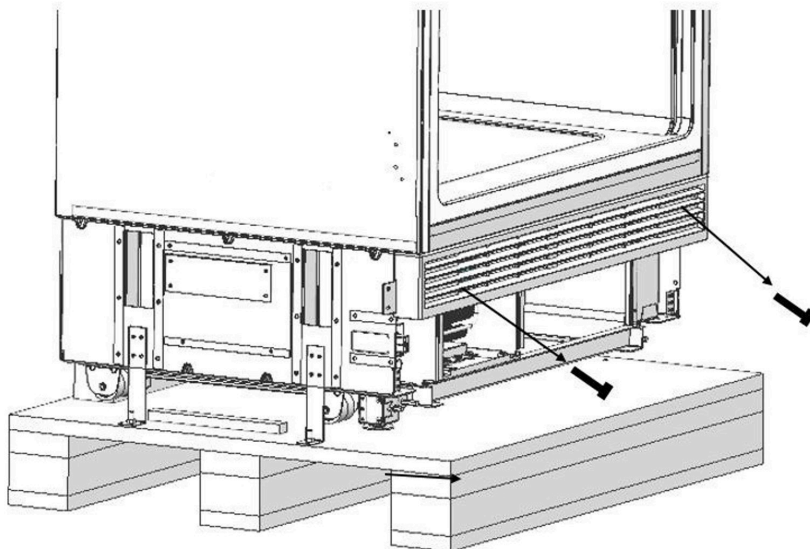
## HOW TO REMOVE THE LOWER VENT PANEL

- Remove the 2 screws to take out the Lower Vent Panel Assembly.



## HOW TO REMOVE THE UPPER VENT PANEL

- Remove the 2 screws to take out the Trim Piece Part.



# INSTALLATION

## PRE-INSTALLATION

Continue to install the product according to the instructions below. Additionally, consider national and local instructions regarding installation.

Please observe the following:

- For the USA, The National Electrical Code, ANSI/NFPA 70 – last version/State or Municipality directives and/or regional directives.
- For Canada, The Canadian Electrical Code, C22.1 – last version/State or Municipality directives and/or regional directives.

Mounting the Anti-Tip Brackets



Anti-Tip Brackets must be installed to prevent the appliance from tipping over.



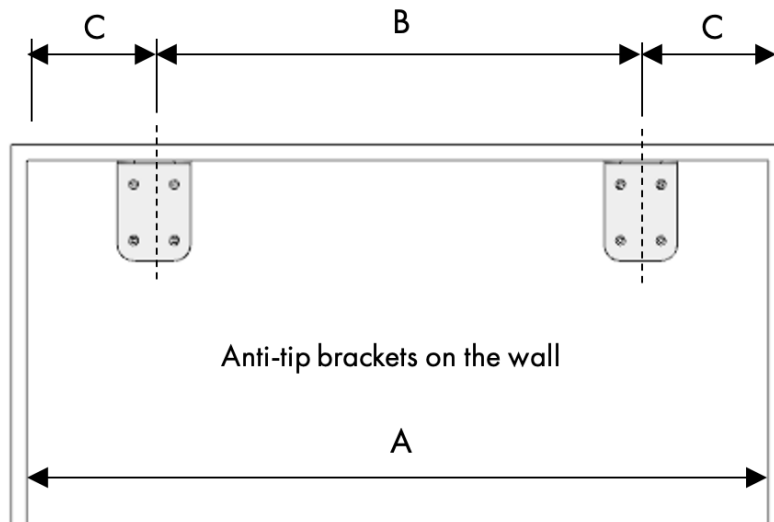
Make sure that there is no electrical or water connection where the screws will be tighten and connections will be established.



Please remember to use the necessary protective equipment when drilling holes on the wall and performing installation.

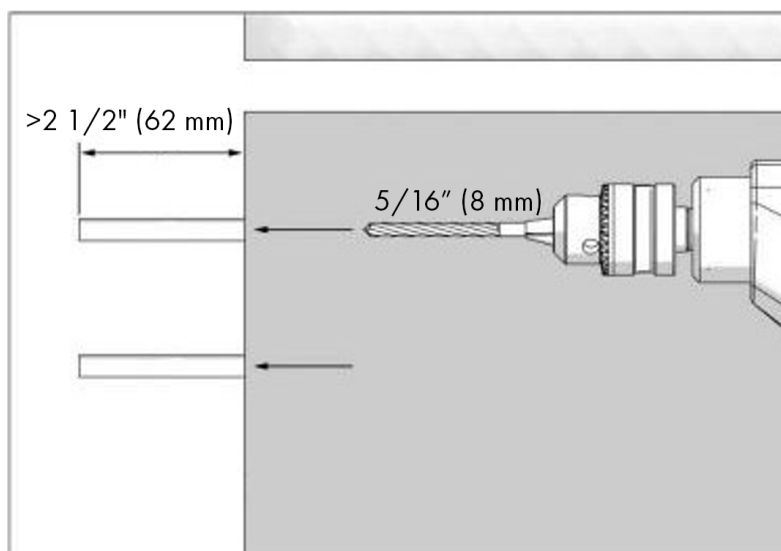
# INSTALLATION

- Mark the wall for Anti-Tip Brackets (7).



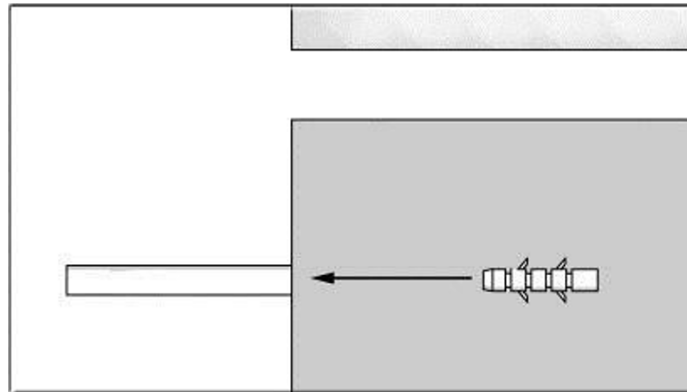
CATEGORY	RBIV-30	RBIV-36
A	30" (762mm)	36" (914mm)
B	23 5/8" (600mm)	23 5/8" (600mm)
C	3 3/16" (81 mm)	6 3/16" (157mm)

- Use a drill to create holes for anchors (8) at the marked points (5/16" -Ø8). Do not use a larger drill bit as the wall anchors will be unable to tighten or secure the brackets.

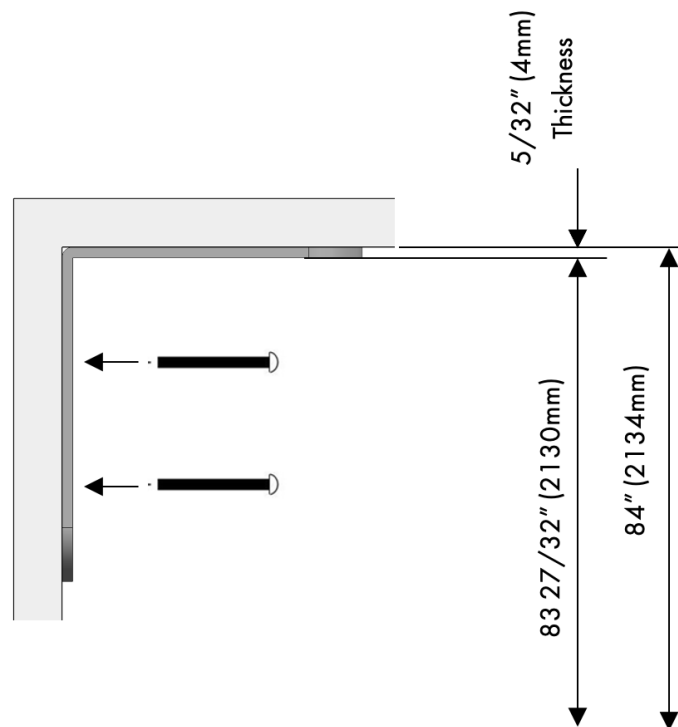


# INSTALLATION

- Use the hammer to fit the anchors (8).



- Fit the brackets (7) into their places, using 4 screws for each. You must use all of the 2 brackets to ensure safety of the product.



**WARNING**

If you are not sure whether the existing connection parts are fit to the wall as securely as they should be, you can use alternative anti-tip methods.

If there are cabinets at the back wall of the refrigerator, please make sure that the cabinets are fixed to the wall. For this, you need to be sure that the back wall of the cabinets are fixed to the concrete back wall with suitable connection parts.



# INSTALLATION

## Alternative anti-tip method:

If the anti-tip brackets cannot be connected securely, you must use the alternative method below. In this method, you can use wooden blocks to avoid the risk of tipping over.

It must be installed as illustrated in the figure below.

There must be no clearance between the product and the wooden block.

Minimum section dimensions of the wooden block must be 3"x4" (75 mm x 100 mm).

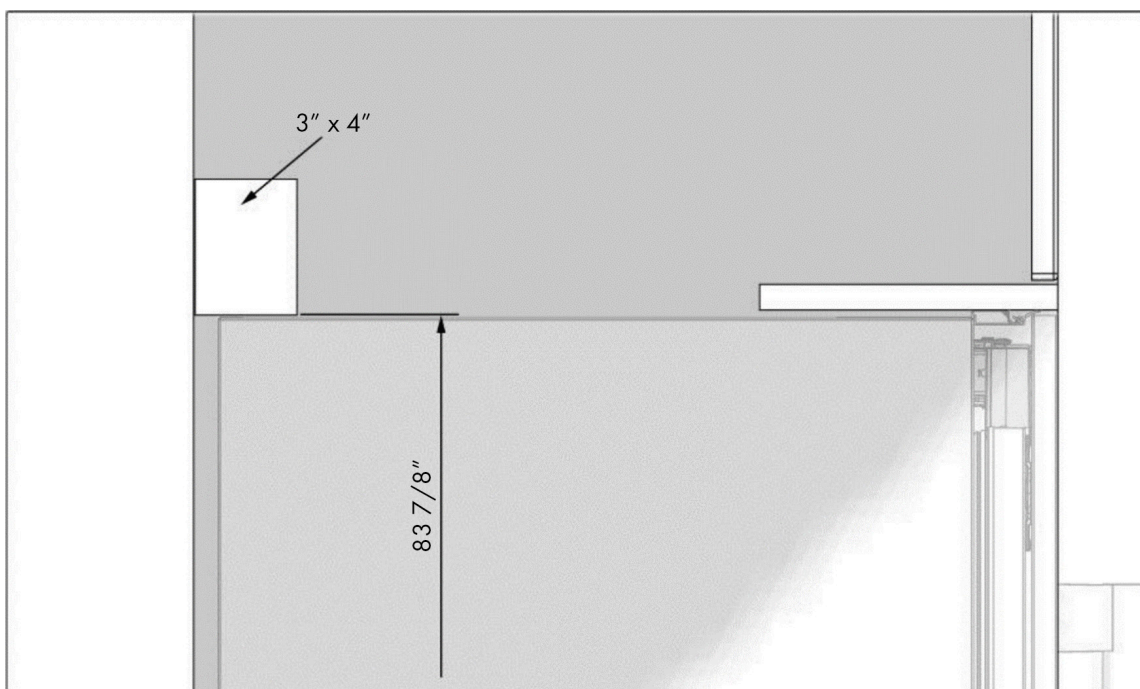
Width of the block must be equal to the clearance where it will be installed.

An additional block must be used if the niche depth is more than anticipated. The wooden block must contact the product with a maximum size of 2" (50.8 mm).

To determine the location for the wooden block, mark it on the rear wall, select suitable screws and connect safely.



Number and type of the screws to be used for the wooden block must be determined so there is a secure connection.



# INSTALLATION

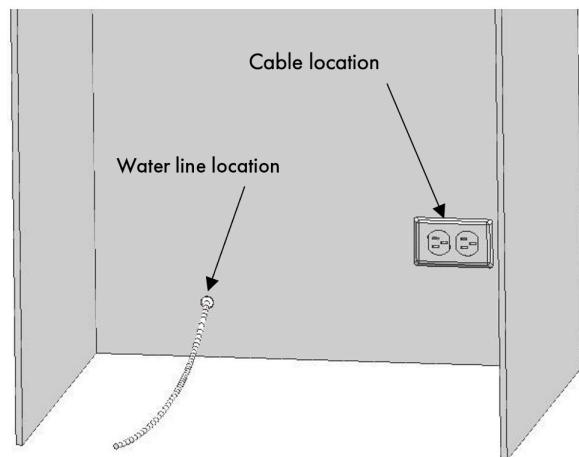
## Preparing the Water Hose and the Power Plug

You will need a hose with a minimum length of 60" (1.5 meters) and a diameter of ¼" for water connections of the product during installation.

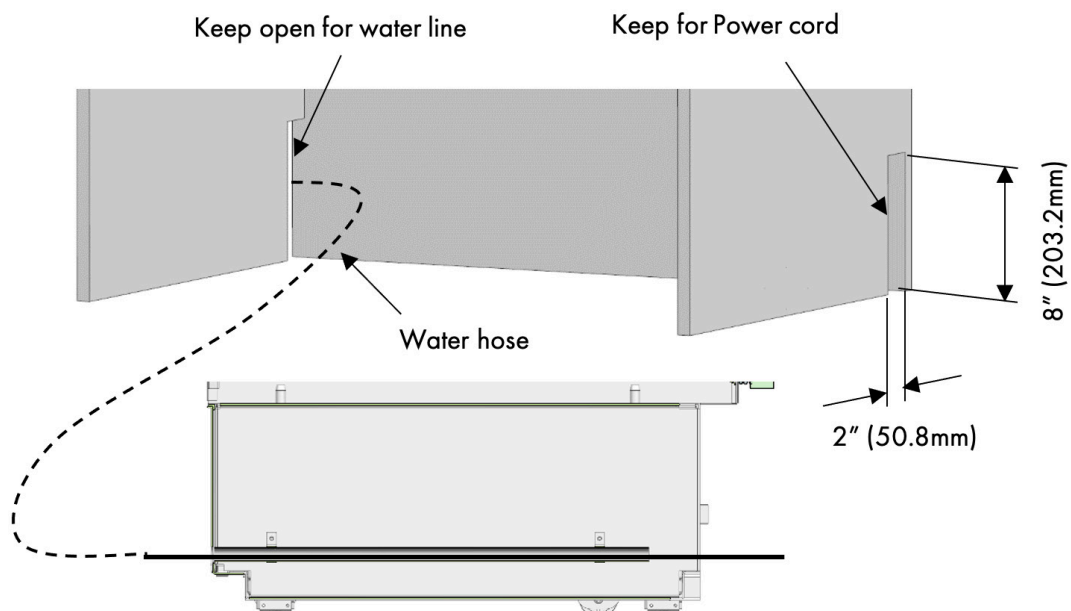
A connector that has a thread with an external diameter of ¼" must be used to connect the hose end to the product.

You can choose the method A or method B below to prevent the power cord and water supply line from getting jammed.

- Method A: Locate the water hose and power supply on the back



- Method B: Locate the water hose and power supply on the back

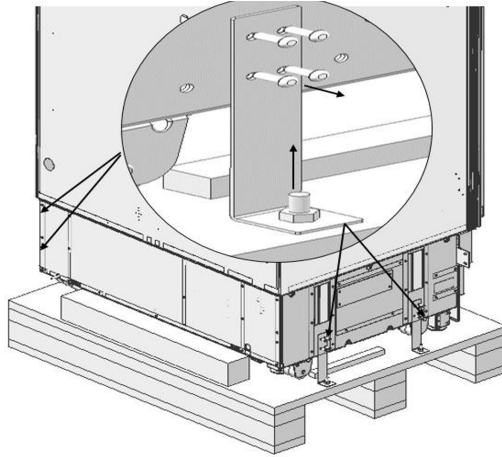


# INSTALLATION

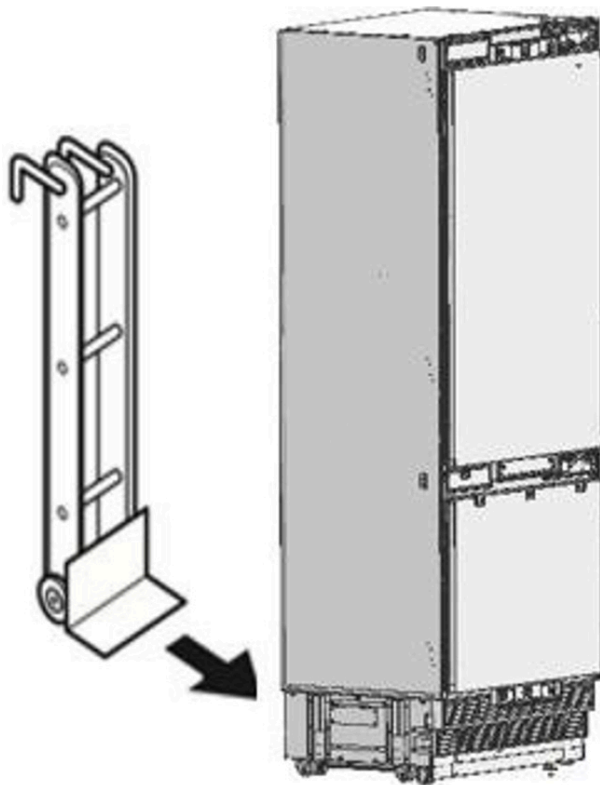
## CABINET INSTALLATION

### Taking the Refrigerator from the Wooden Pallet

- Remove the brackets that connect the refrigerator to the Wooden Pallet.



- With at least two persons, recline the refrigerator slowly and pull back with the help of the dolly, then slowly lower the refrigerator to the floor.

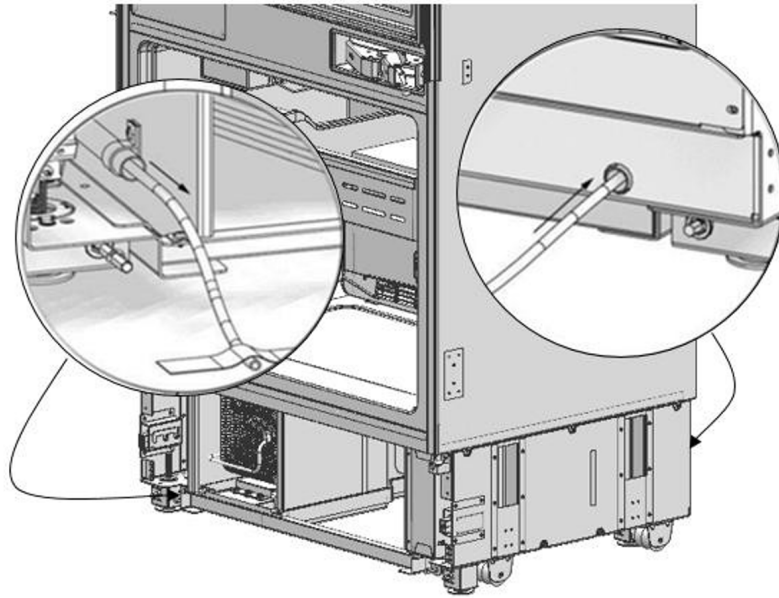


Do not open doors, as the weight of the fridge doors can cause the appliance to tip over while in a reclined or free standing position.

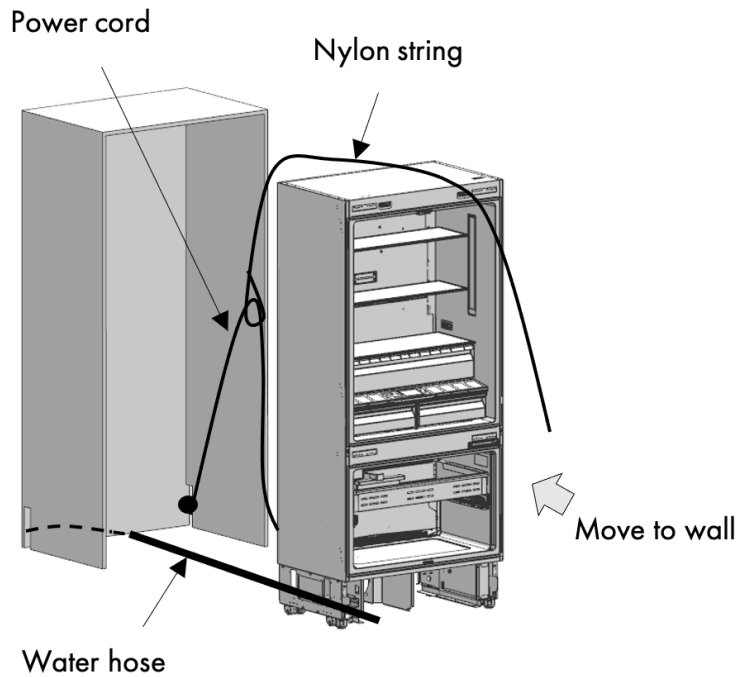
# INSTALLATION

## Placing the refrigerator into the cabinet

- Route waterline through the channel of refrigerator to the front of the unit.



- Apply the below method to prevent the cable from getting jammed.



- Plug in the refrigerator and make sure it is energized and that the display has been activated.

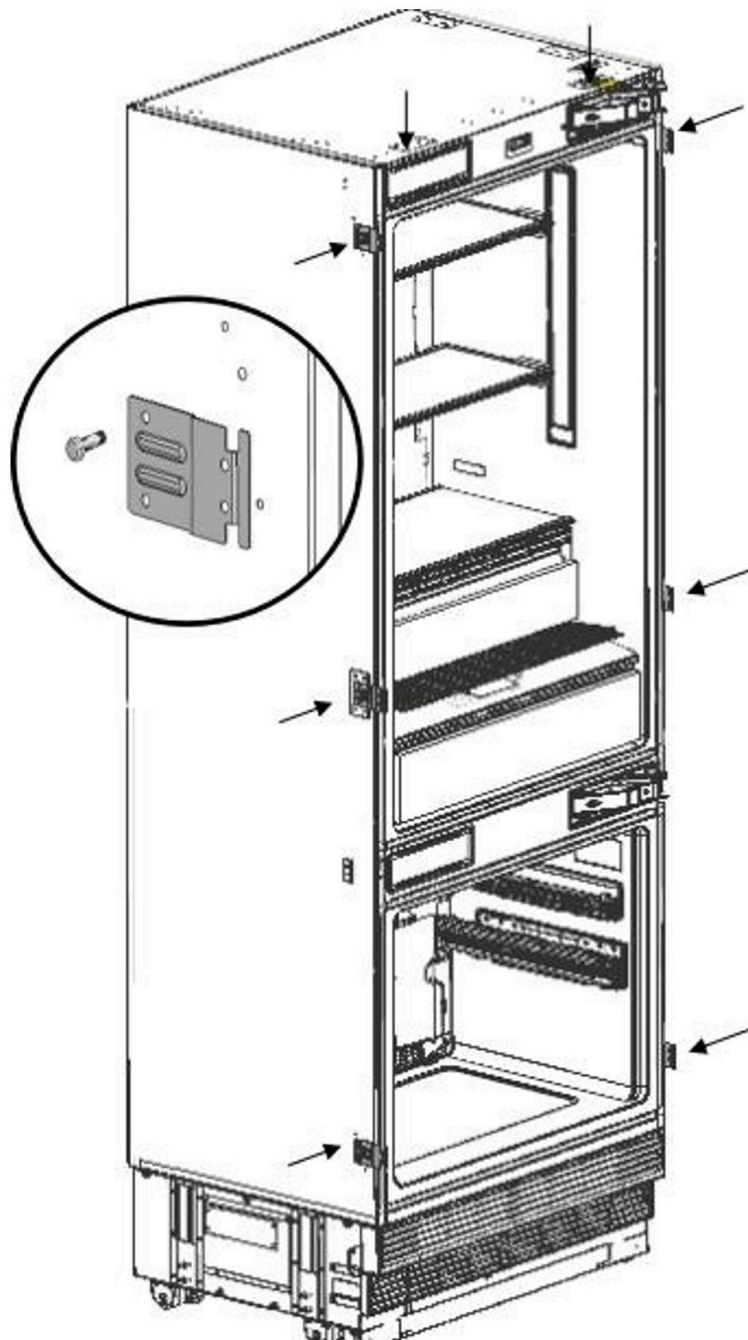
# INSTALLATION

## Screwing the side brackets

- Fix the brackets (Item No 17) to the unit, where 2 on the top, and 3 on every side. Use the screws (Item No 18) to tighten.
- After the product is in the cabinet and leveled, you will use the 12 long screws (Item No 16) to join the product and the cabinet.



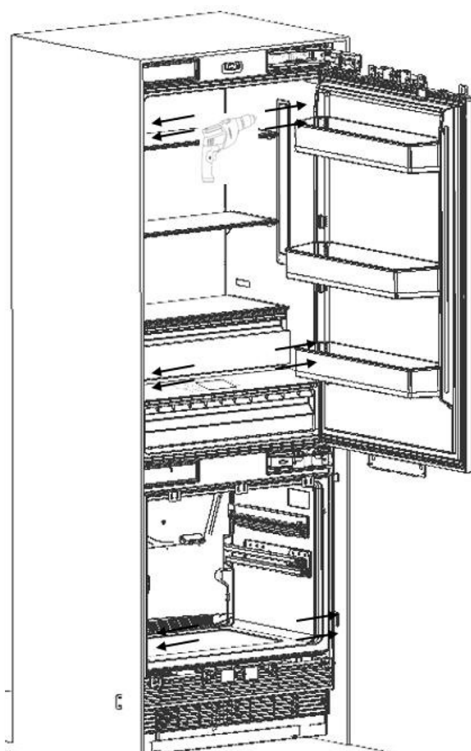
Before starting to screw the Side and Upper brackets, please make sure that water is supplied to the product and there is no water leakage.



# INSTALLATION



If you have difficulty tightening the screws, opening a reference hole with the drill will make this procedure easier.



## Screwing the upper bracket

- Attach the upper bracket to the cabinets with 4 screws (Item No 16).

# INSTALLATION



INFO

You can use tape and similar protectors on parts you think are necessary to protect the edges of the cabinets when placing the product.



WARNING

The plug of the product must be accessible after installation. If the plug is not accessible after installation, the power must be cut off from the main switch.



WARNING

Make sure that the main water line and power cable are not jammed when moving the refrigerator.

- Push the product carefully towards the cabinet to place it. If there is strain during the placement of the product into the cabinet:
  - The floor might be rough or uneven
  - Adjustable feet might be loose (please see the relevant section to learn how to adjust the adjustable feet)
- You must attach the Freezer Door temporarily to align the product before placing it.

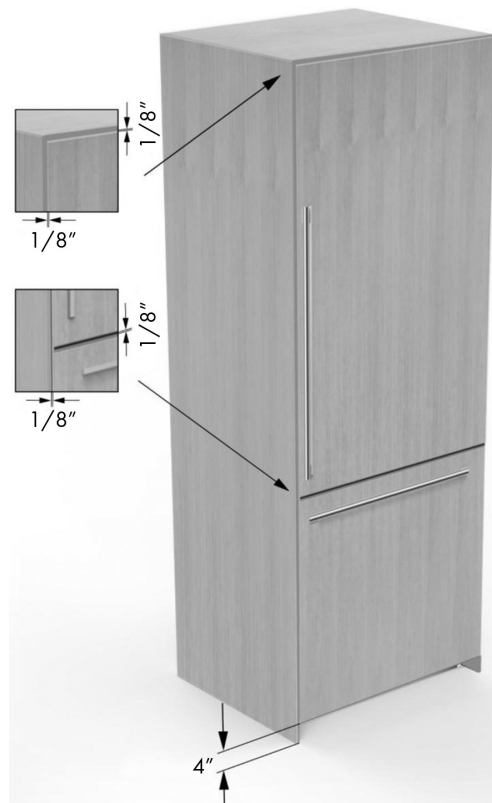
You must use the upper edges of the Freezer Door when aligning the product with the cabinets. Adjustment of other edges are explained in the following pages.



INFO

You must use the upper edges of the Freezer Door when aligning the product with the cabinets.

Adjustment of other edges are explained in the following pages.



# INSTALLATION

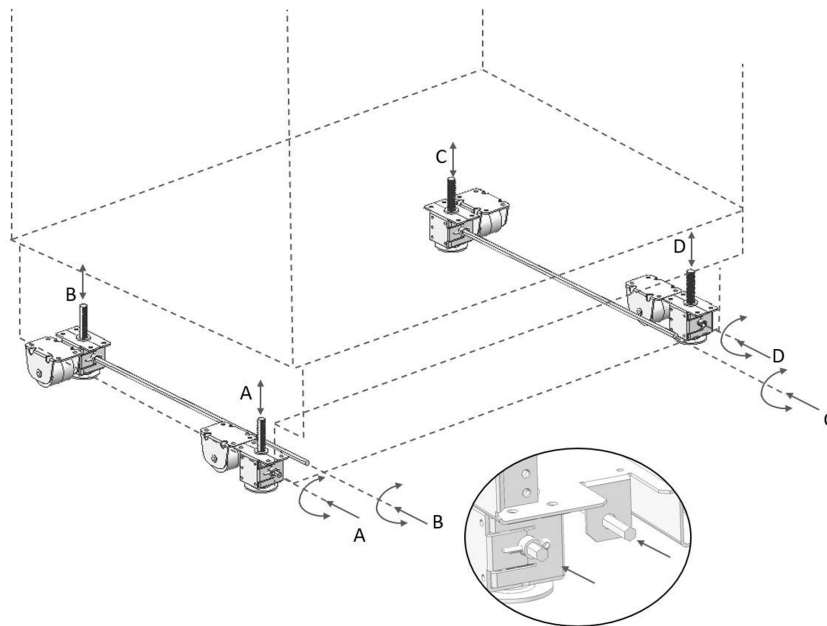
After carefully pushing the product into the cabinet, the feet need to be raised in order to secure the product to the anti-tip brackets.

## Adjusting the height of the refrigerator in the cabinet.

- Adjust the refrigerator height using the adjustable feet.



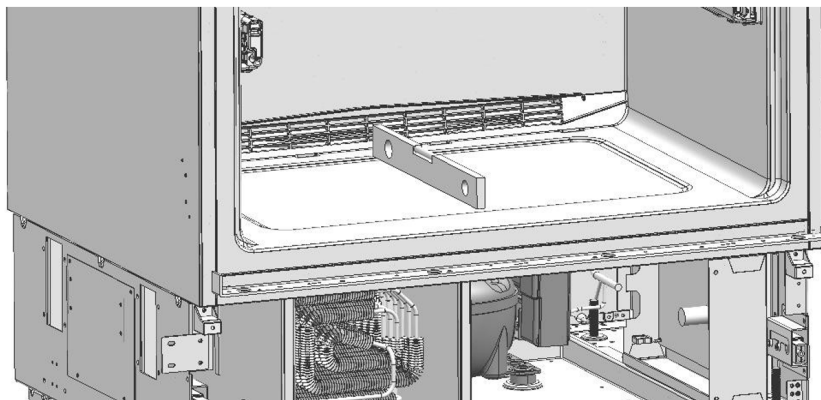
First, raise the front feet to reduce the risk of the product falling forward.



A/D – Turn the key clockwise to lift the front

B/C – Turn the key clockwise to lift the rear

- After adjusting the feet, check if the product is level in both width and depth directions. You may readjust as needed after panels are installed.



The maximum height that the adjustable feet can reach is 1 9/16" (40 mm) and the product height is 85 3/8" (2,169 mm)

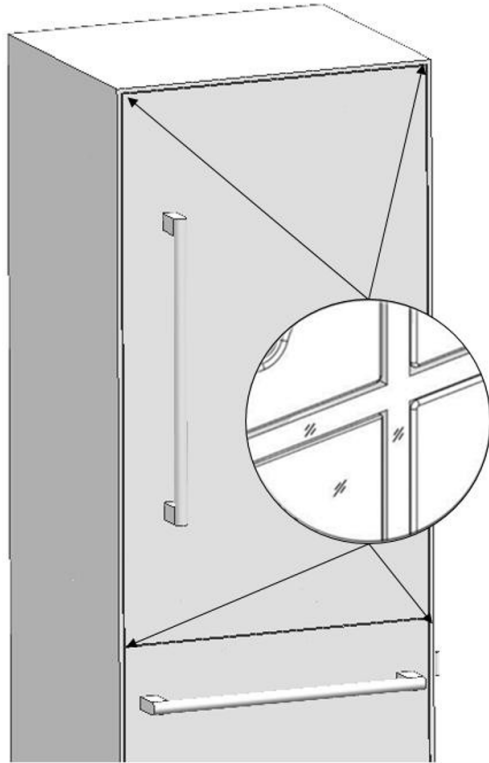


# INSTALLATION



Adjusting the refrigerator according to the cabin flange

- For products with clad doors, the position of the refrigerator is adjusted so that the door and the cabinet surface are flush. You can also use a position alignment gauge (Item No 10) if necessary.



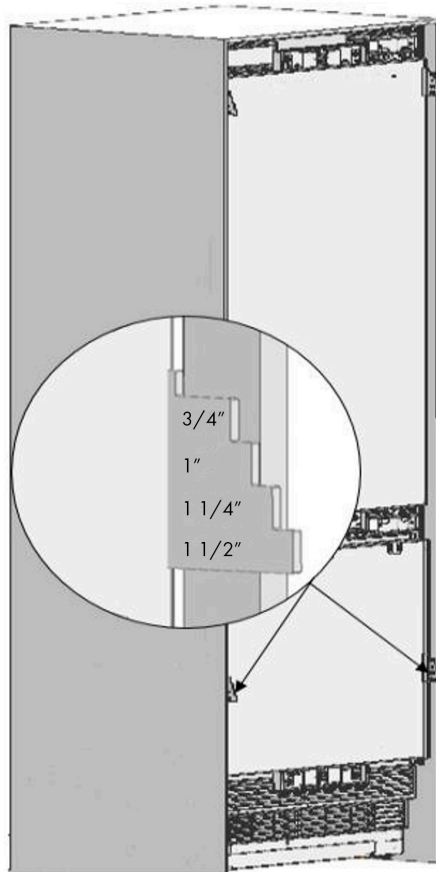
- For products without clad doors, the product is placed using the position alignment gauge (Item No 10) as shown in the figure below.

# INSTALLATION

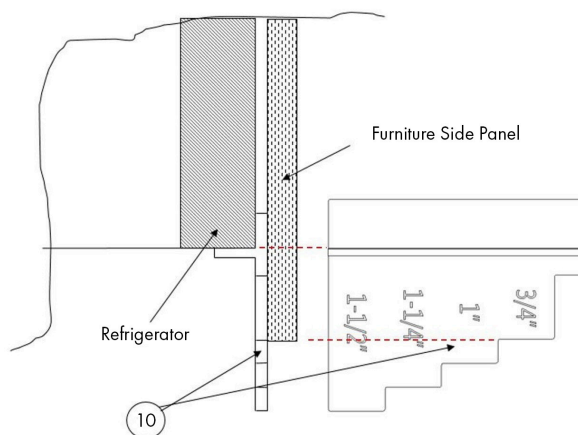


It is very important to align the upper edge of the Freezer door when aligning. All the other edges can be adjusted with the adjustment mechanisms.

- For products with clad doors, the position of the refrigerator is adjusted so that the door and the cabinet surface are flush. You can also use a position alignment gauge (Item No 10) if necessary.



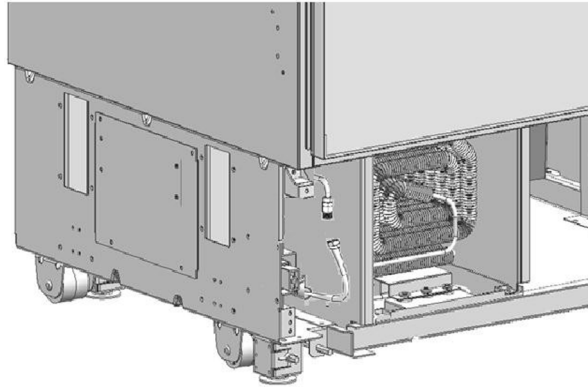
- Position of the position alignment gauge (10) must be adjusted according to the thickness of the door. It can adjust the level for 4 different door thickness levels.



# INSTALLATION

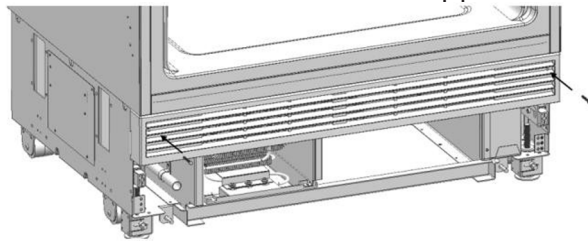


Once the water line connection is complete, you must turn on the main water valve and make sure that there is no leakage at that point.



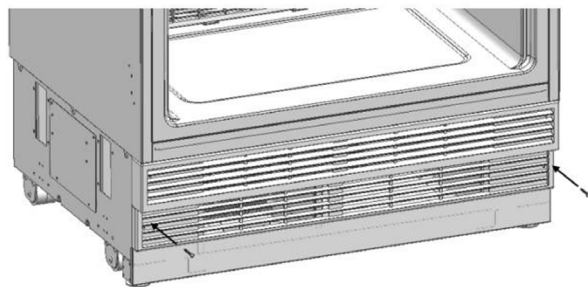
## Attaching the upper vent cover

- Use 2 screws to attach the upper vent cover



## Attaching the lower vent panel assembly

- Use 2 screws to attach the lower vent panel part.
- Note: You can attach this later if more foot adjustment is needed.



You can move the lower vent panel forward-backward to adjust it to the kick plate in the kitchen.

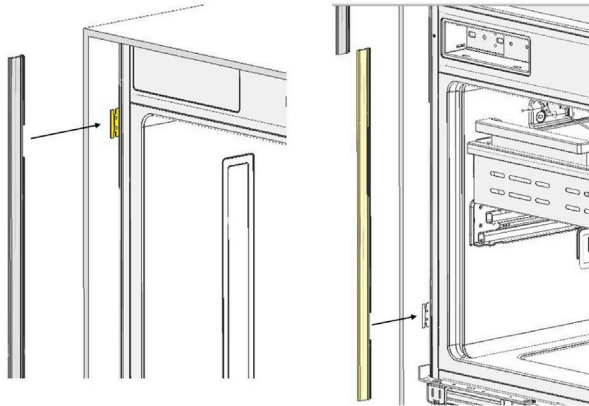
# INSTALLATION



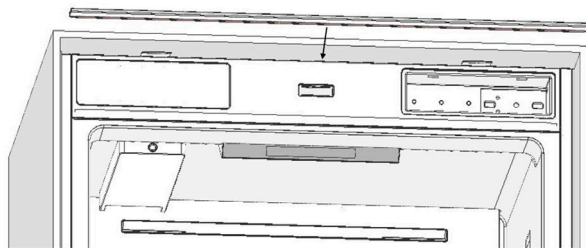
Forward-backward travel distance of the lower kick plate must be 5/16" (23 mm). As you can see in the figure, the decorative kick plate must not be in front of the trim piece level.

## Attaching the decorative parts

- Attach the side closing parts (1) onto the right/left connection brackets.



- Attach the upper closing part (4) onto the upper connection bracket.



## DOOR PANEL PREPARATION

This section contains information about preparing the door panels and mounting them to the product.

### Attaching the door handles

- Handle mounting studs need to be installed prior to mounting the panel to the product.
- The mounting stud needs to be on the decorative side of the panel, fix the other side of the screw in place with a washer and nut.

Maximum weights of the door panels to be mounted to the product are as follows.

Fridge Door: 35.7 lbs. (16.2 kg)

Freezer Door: 19.8 lbs. (9 kg)

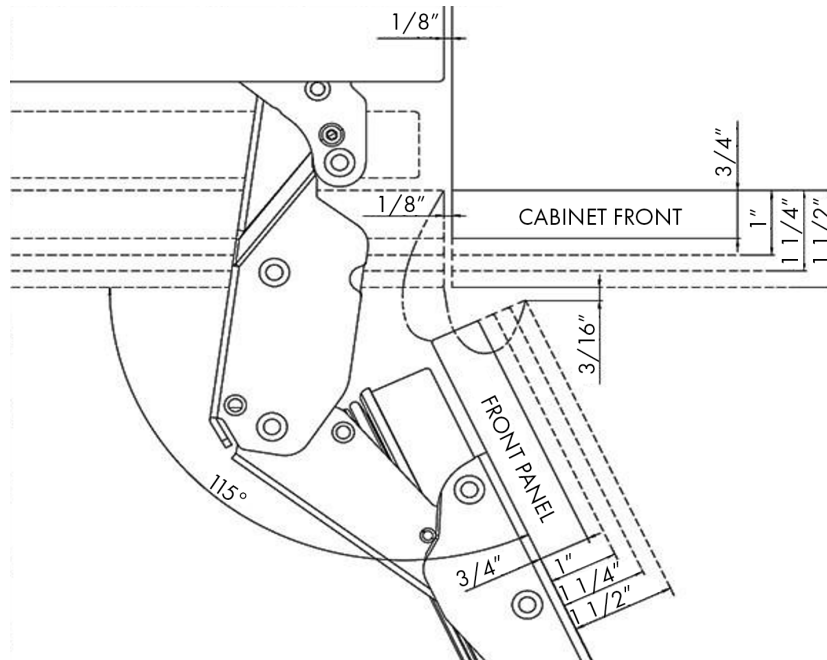
### Choosing the Door Thickness

- The door of your refrigerator can open by 115° maximum. If the door is going to open to this degree, you can choose the following thickness levels.

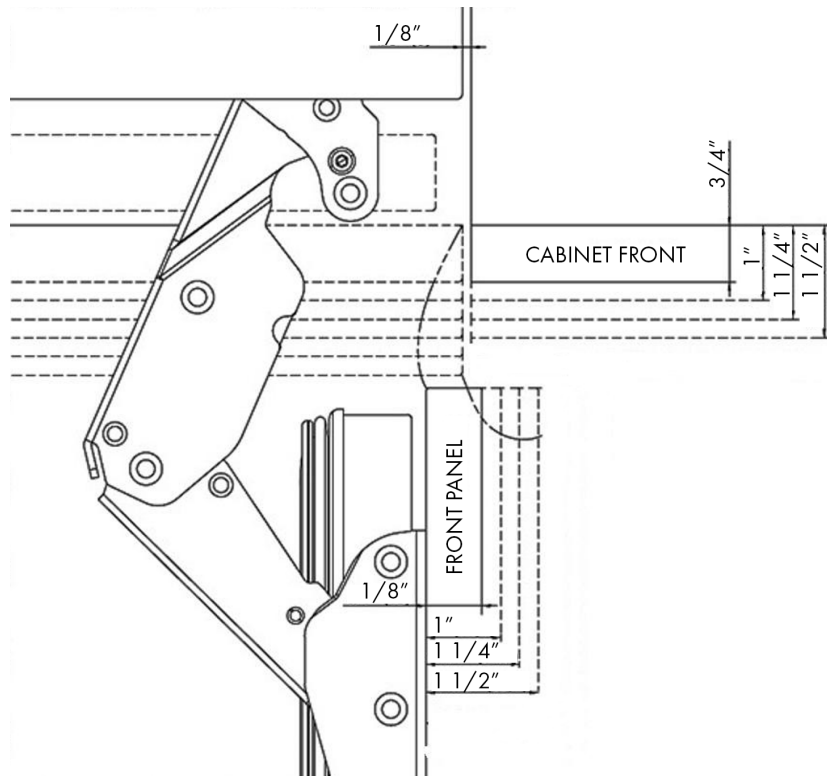
# INSTALLATION



If the door thickness is more than 1 1/2" (38 mm), the door should not open more than 90°. You must use a limiting pin on the hinge.



- You can limit the opening degree of your door to 90° if you want. In this case, the door thickness levels can be like the following (you can look at the relevant section to learn how to attach the 90° limiting pin).

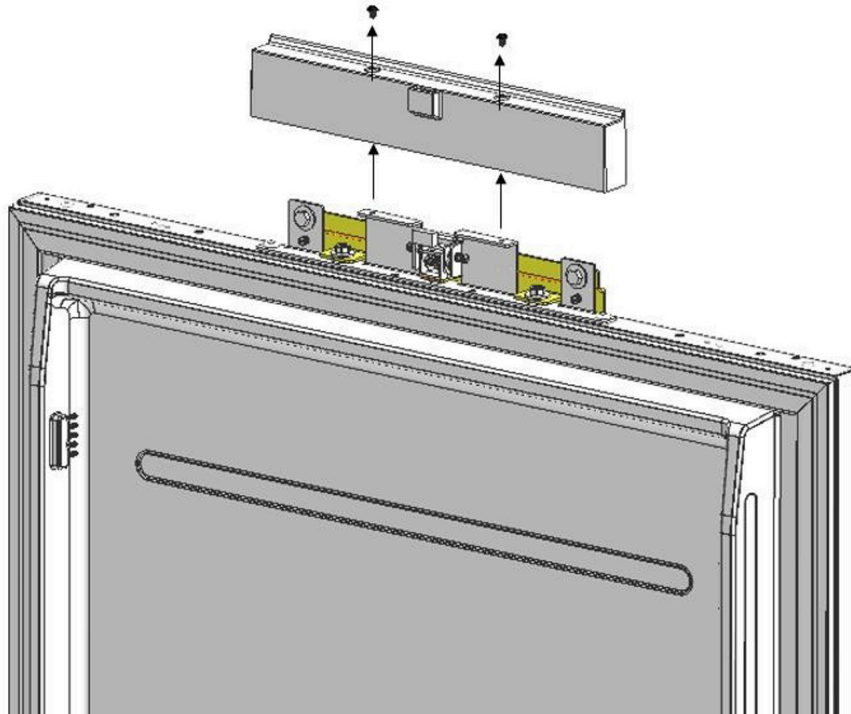


# INSTALLATION



## Removing the Mechanism Covers

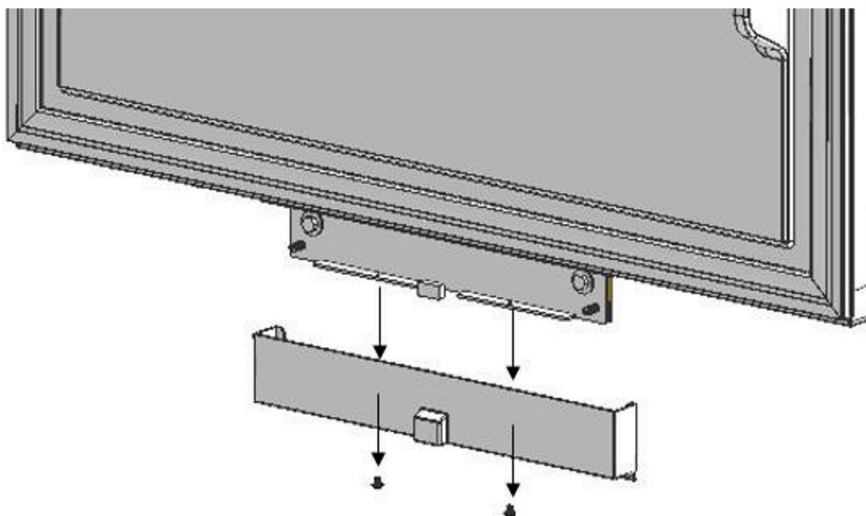
- Remove one screw to take out the FF Upper Cover.



Note: There is a magnet in the cover of the top refrigerator door hanger bracket. This is a functional part for the operation of the product.

It should not be confused with the lower cover.

- Remove two screws to take out the cover door hanger bracket.

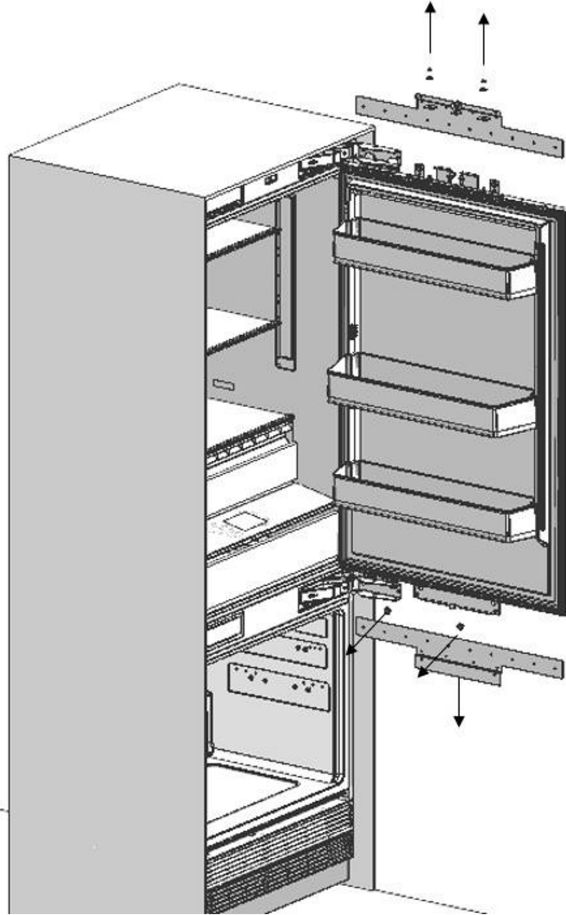


# INSTALLATION

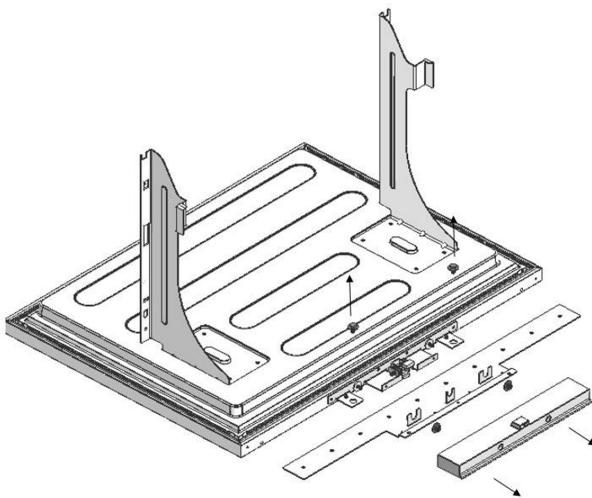


## Removing the Panel Adjustment Mechanisms on the Refrigerator

- Remove the upper and lower adjusting mechanism assemblies from the refrigerator door(s).



- Remove the panel adjustment mechanisms from the lower part of the freezer door.

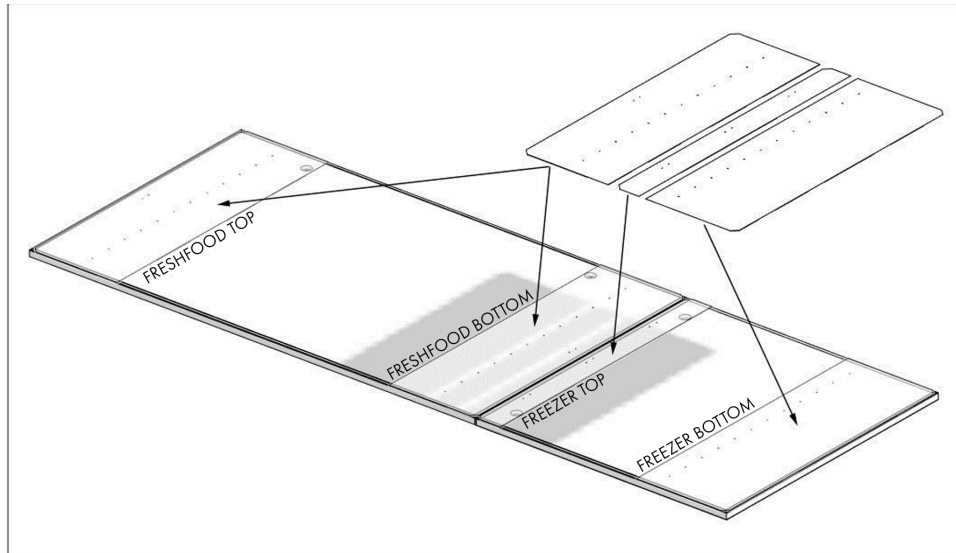


# INSTALLATION

## PREPARING DOOR PANELS



You must take the dimensions into account when grouping the door panel brackets on the door panels. When marking, you can use the "Door panel preparation template" (Item No 6) provided with the product.



Handle connection holes must be adjusted according to the handles to be used in kitchen design.



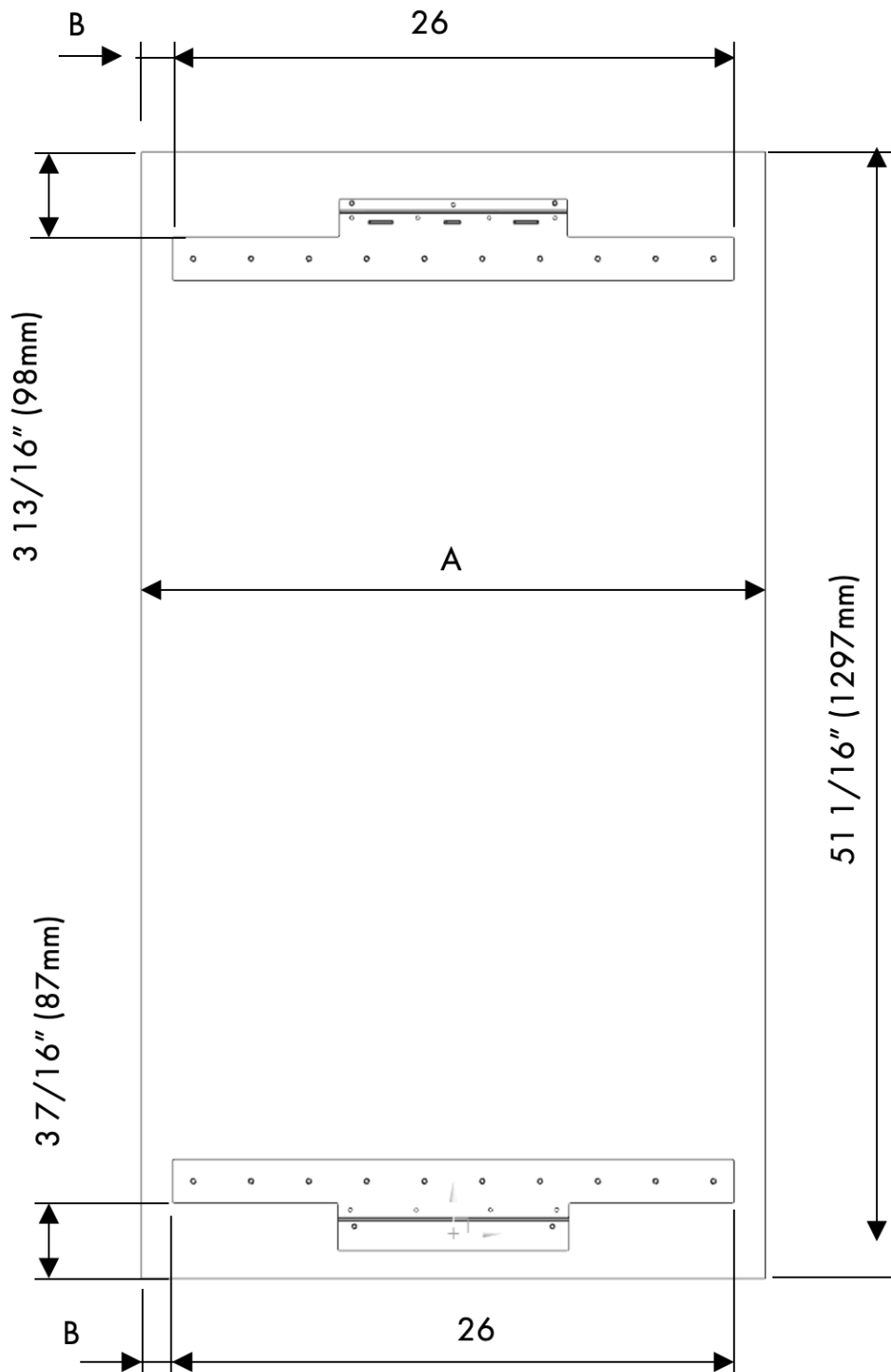
Minimum thickness of the door must be  $\frac{3}{4}$ " (19mm).



# INSTALLATION

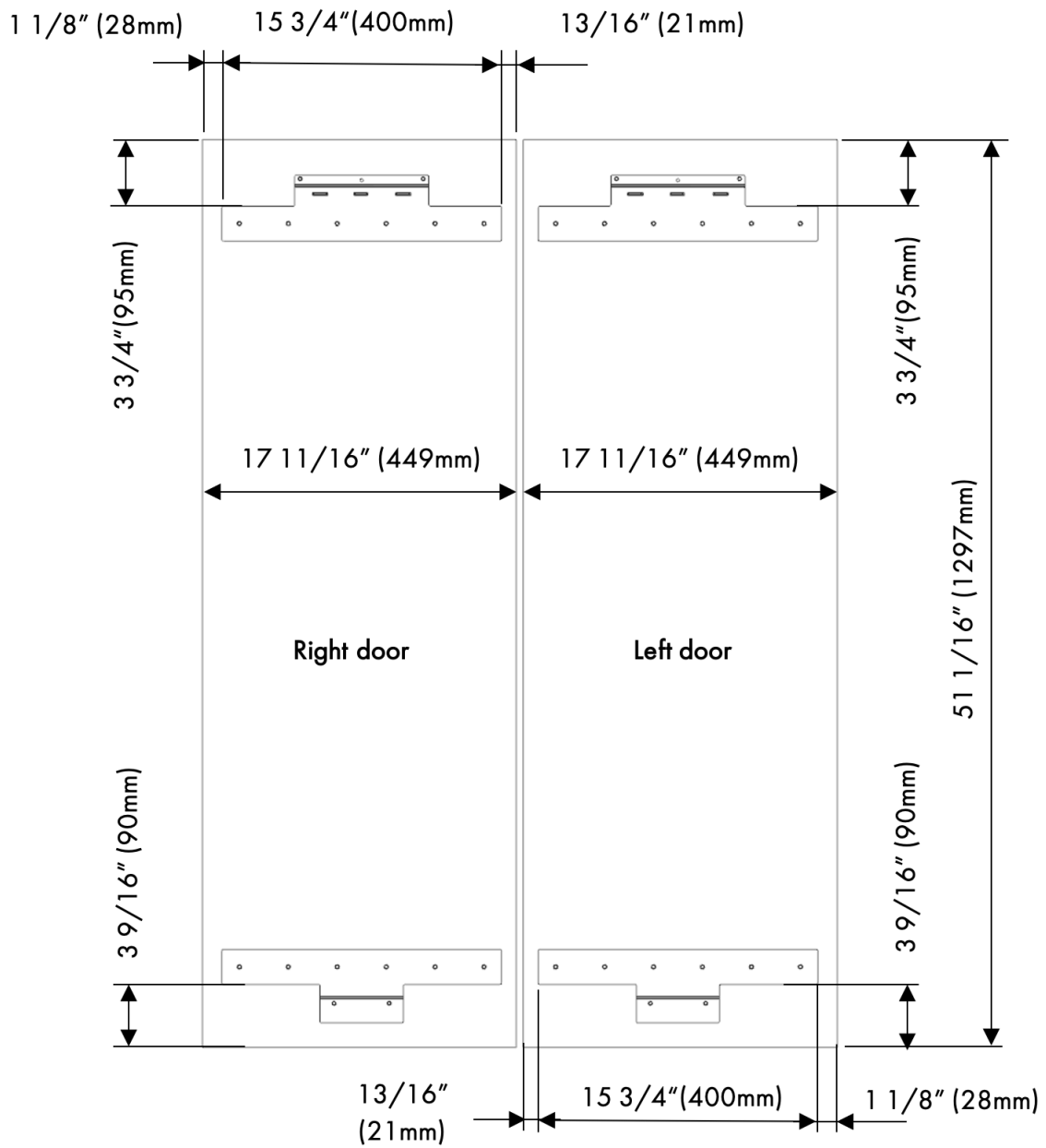
## PREPARING THE FRIDGE DOOR PANEL

CATEGORY	RBIV-30
A	29 3/4" (756mm)
B	1 7/16" (38mm)



# INSTALLATION

RBIV-36



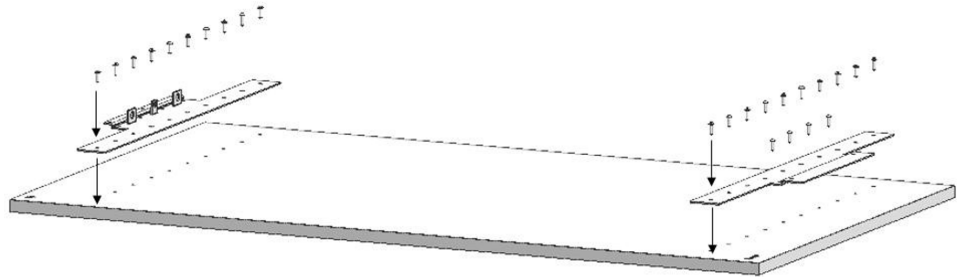
# INSTALLATION



WARNING

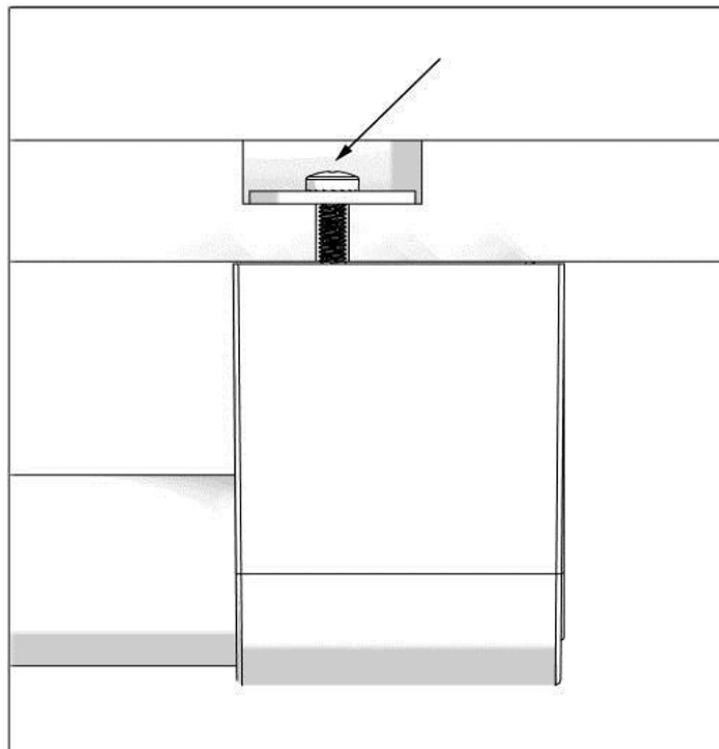
You must use screws suitable for the door thickness.

- Install 2 door panel brackets using the chipboard screws (Item No23). You can also use the template (Item No 6) provided with the product to align these parts. **It is recommended to keep this template for future reference.**



## Attaching the door handles

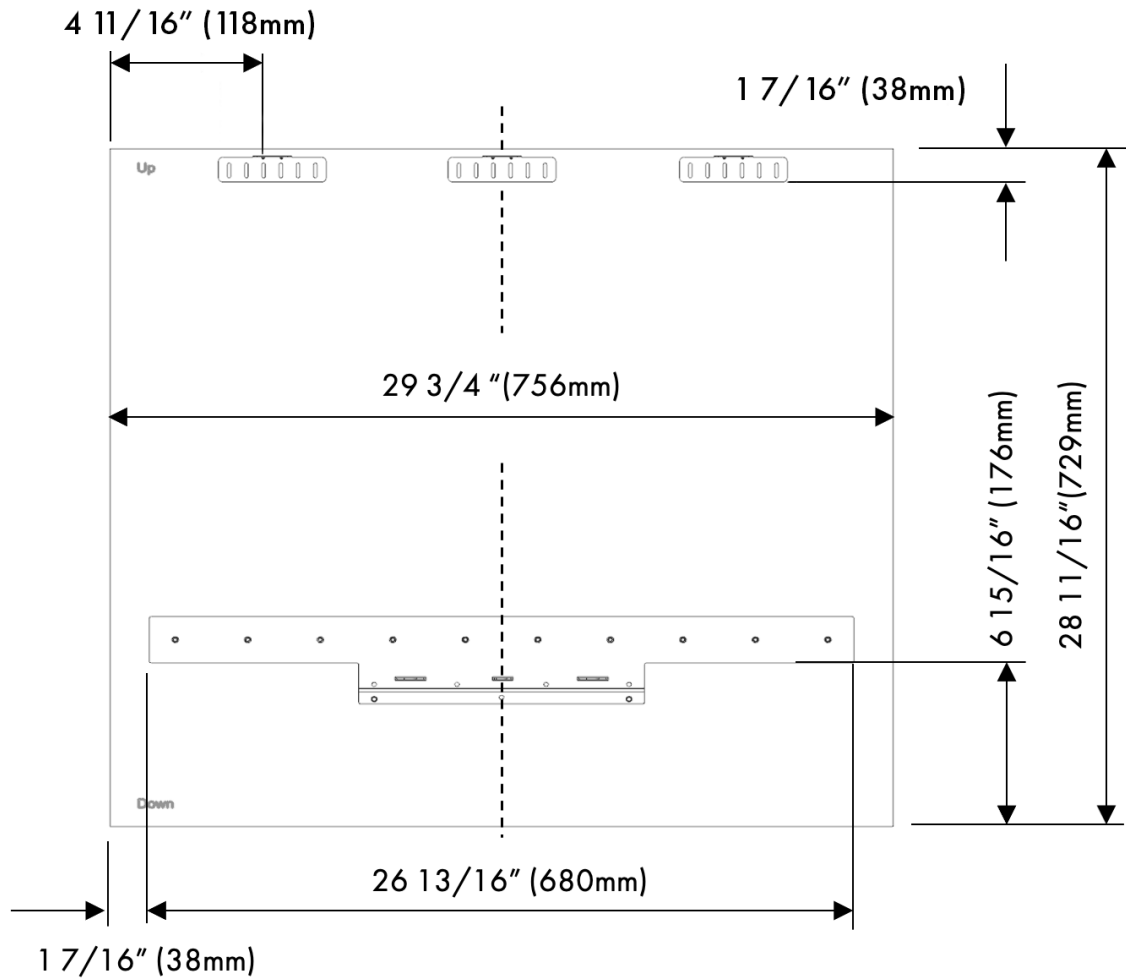
- Handle mounting studs need to be installed prior to mounting the panel to the product.
- The mounting stud needs to be on the decorative side of the panel, fix the other side of the screw in place with a washer and nut.



# INSTALLATION

## PREPARING THE FREEZER DOOR PANEL

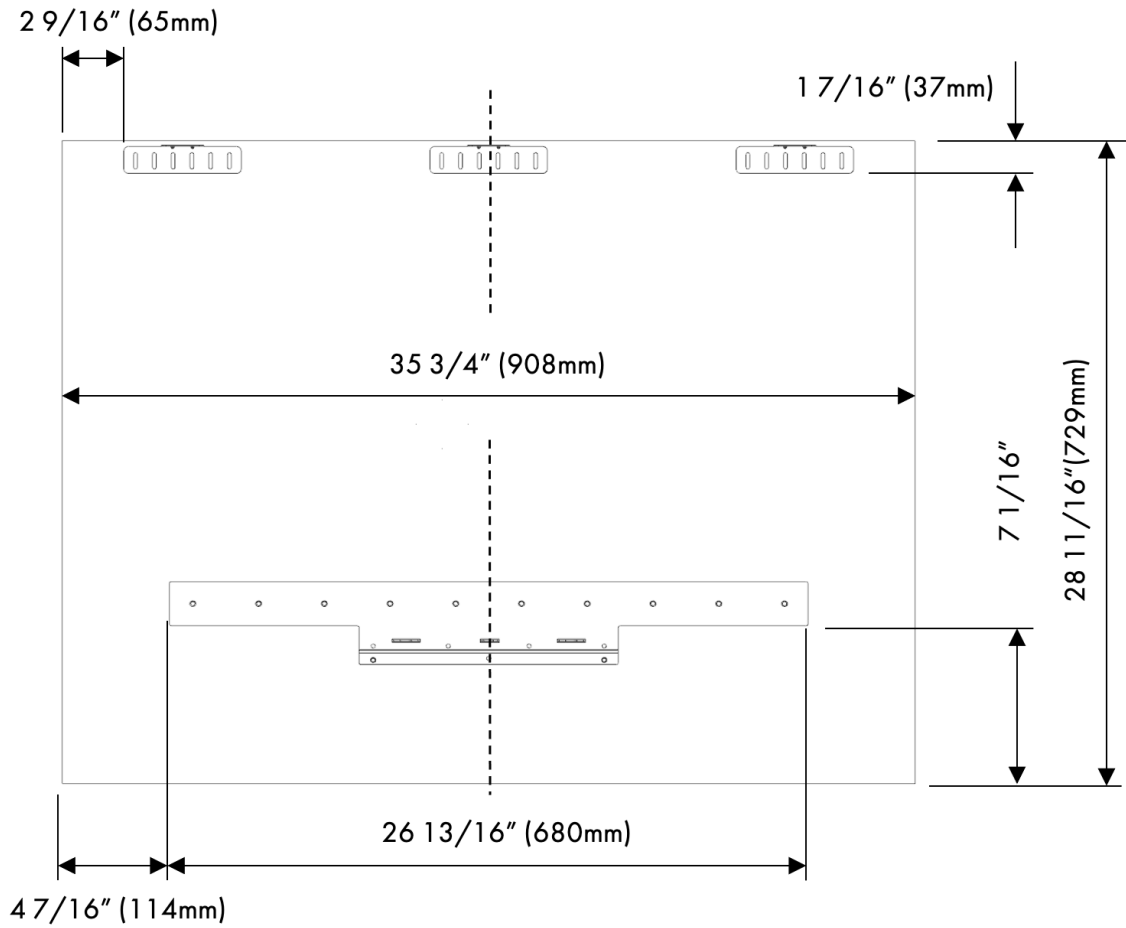
RBIV-30



# INSTALLATION

## PREPARING THE FREEZER DOOR PANEL

RBIV-36



Handle connection holes must be adjusted according to the handles to be used in kitchen design.

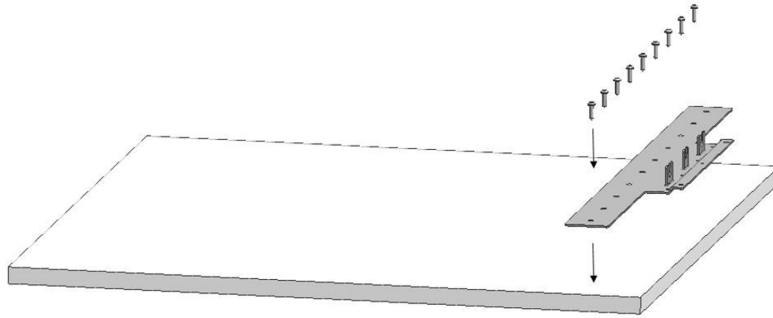


Minimum thickness of the door must be 3/4" (19 mm).

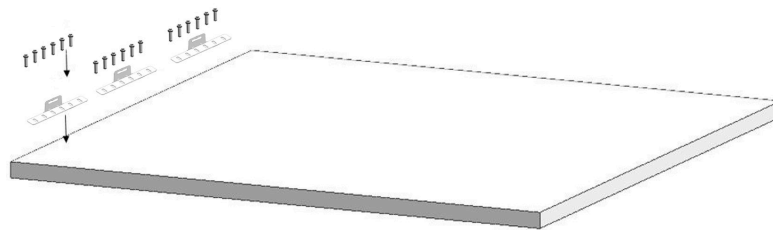
# INSTALLATION



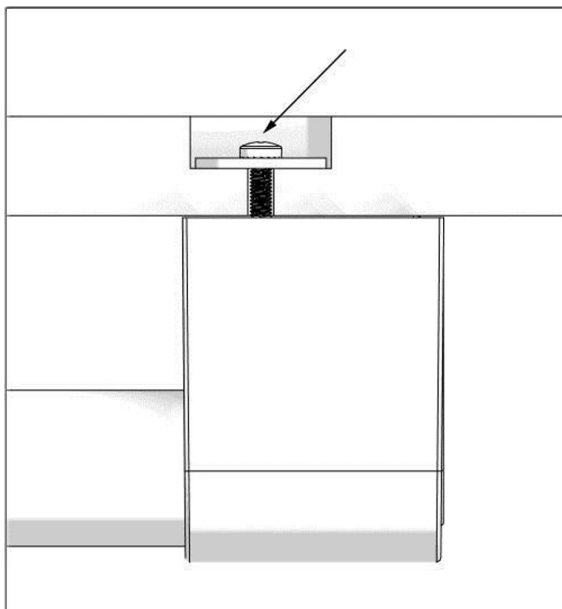
- You must use screws suitable for the door thickness.
- Install 1 cradle using the chipboard screws (Item No23). You can also use the template (Item No 6) provided with the product to align these parts. It is recommended to keep this template for future reference.



- Attach 3 sheet metal brackets (Item No25) using 6 screws (Item No15) for each.



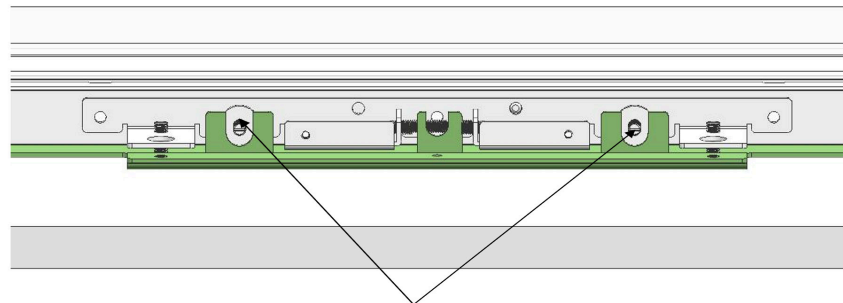
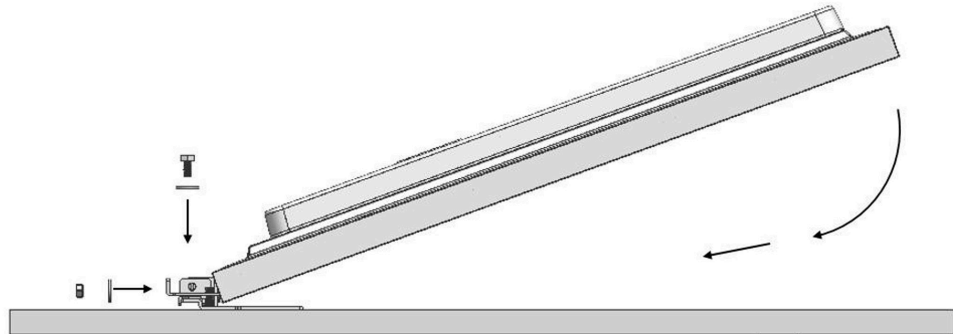
- Attach the freezer door handle.  
Screws holding the door handle must not protrude.



# INSTALLATION

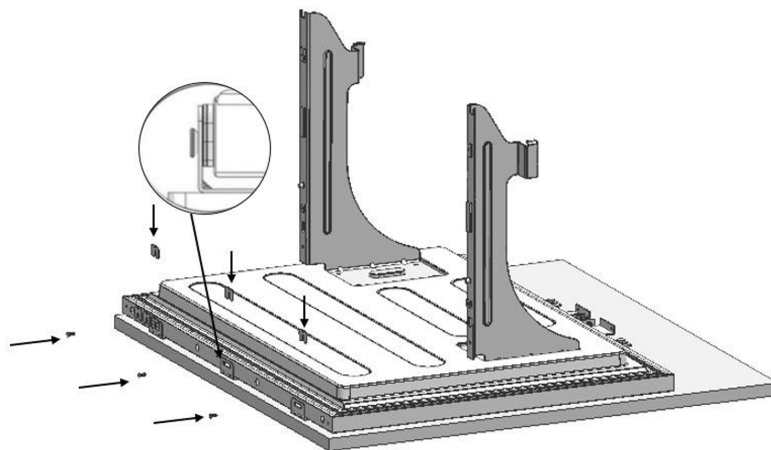


- Lay down the door panel, and place the freezer door onto it
- Put the screws back but do not tighten



Holes are in line

- Use the 3 screws (Item No 13) to fix the bracket. the washers (Item No 12) are provided in case of need.
- Tighten the screws once the door panel and the freezer door is perfectly attached.



A total of (3) 1 mm washers must be placed on the freezer door on the condition that all door panel dimensions are suitable.  
Washers to be used are determined based on the kitchen design.

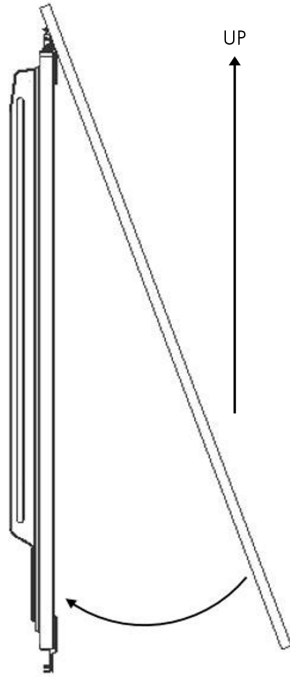
# INSTALLATION



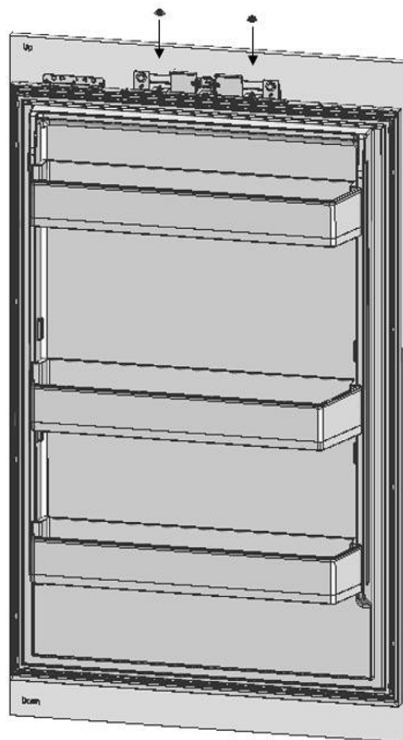
You will find more crescent washers than you need in the mounting box. You can use them if your kitchen design requires so.

## INSTALLING THE FRIDGE DOOR PANEL

1. Attach the door panel to the fridge door



- Use the two screws removed from here to fix onto the adjusting bolts

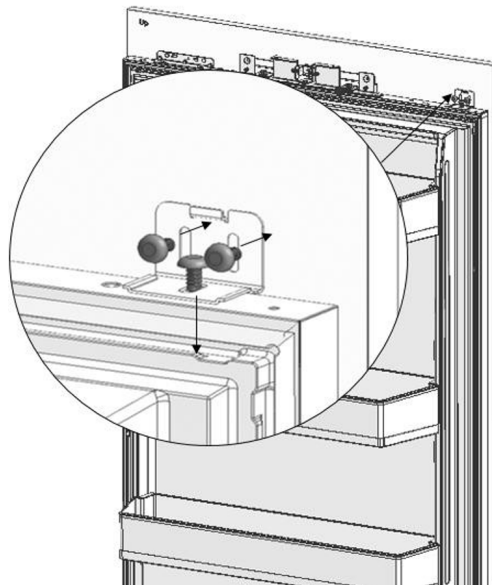
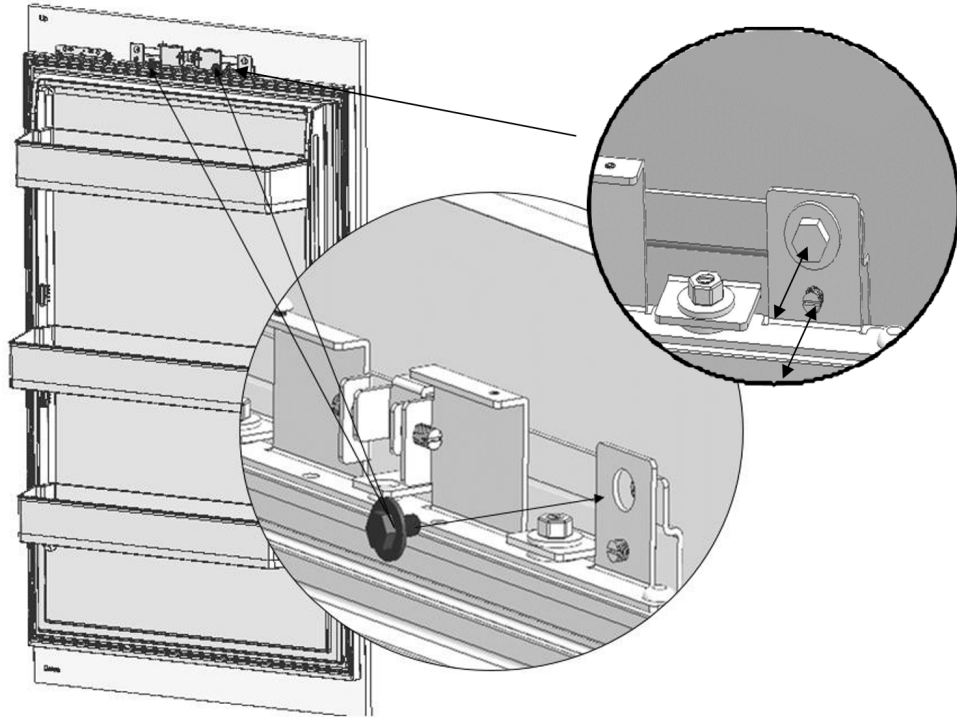




# INSTALLATION



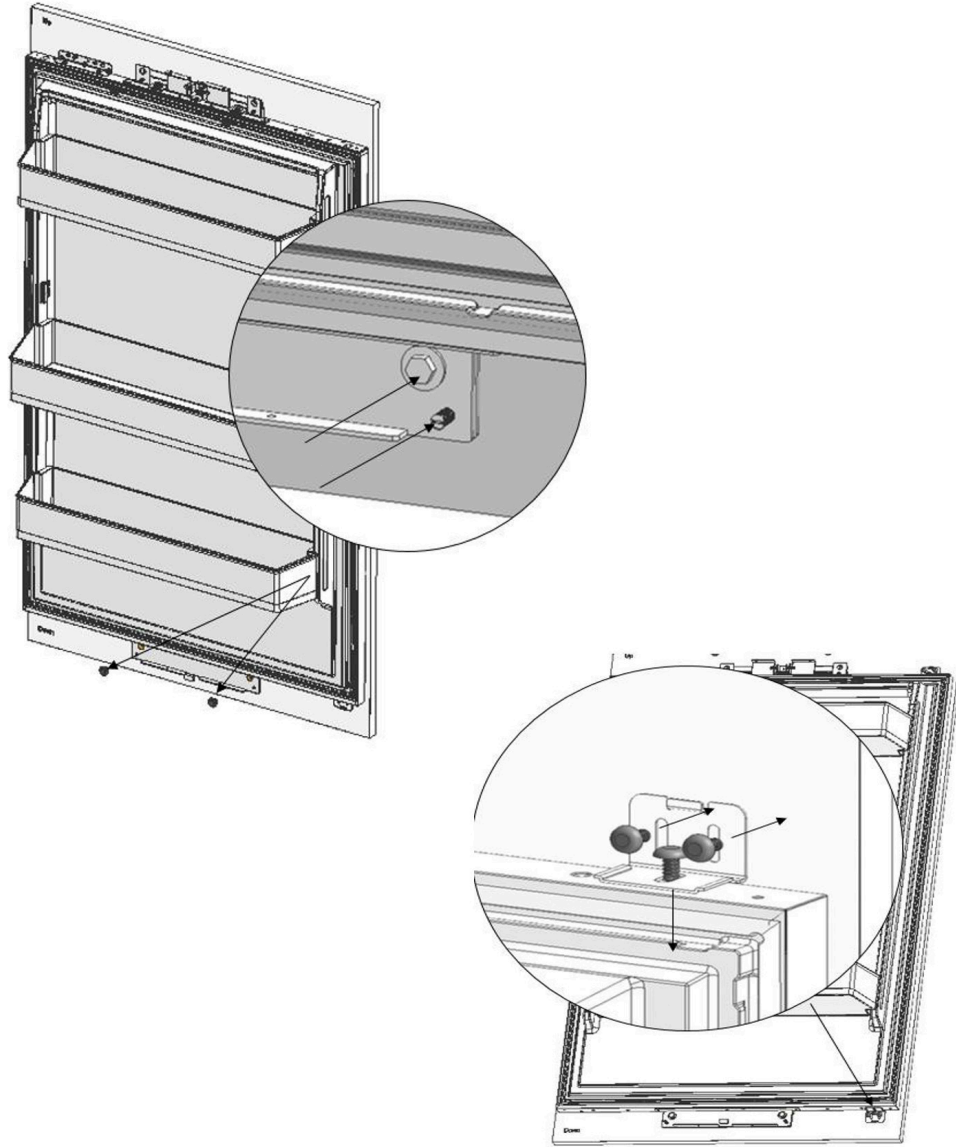
- Adjust from lower part of the door with 2 screws removed from here together with 2 slotted screws.
- Use the bracket (Item No21) to join the door panel and fridge door, use 2 screws (Item No20) and 1 screw (Item No22) to fix.



# INSTALLATION



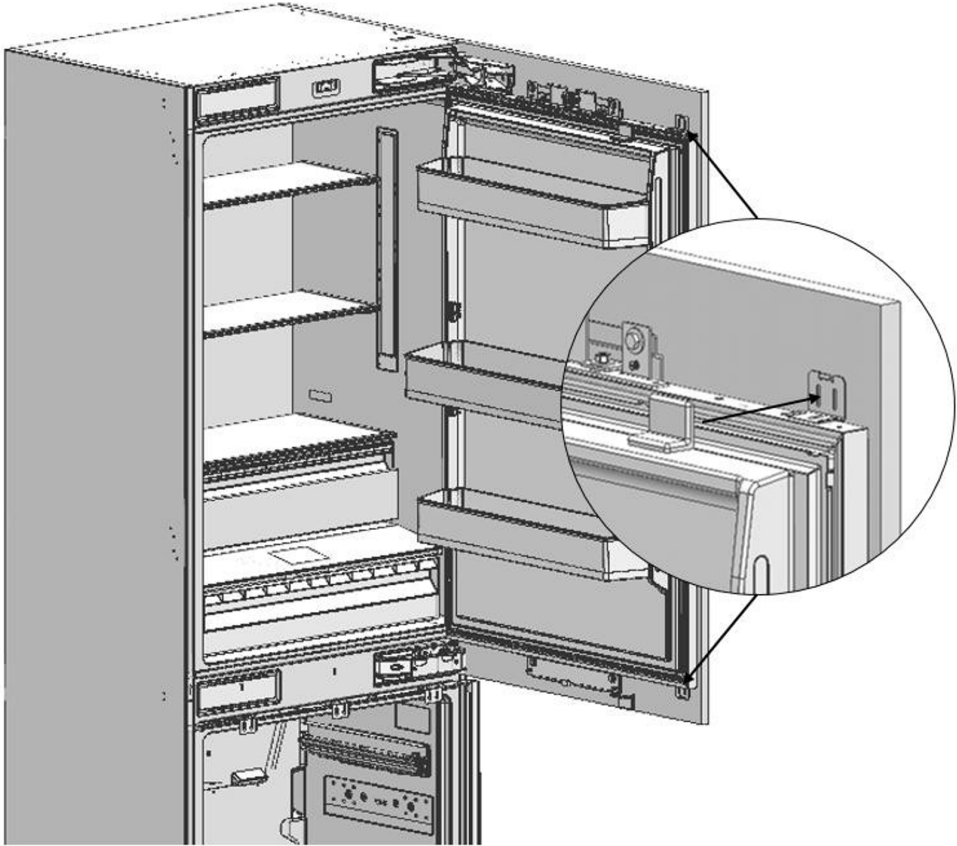
- Adjust from lower part of the door with 2 screws removed from here together with 2 slotted screws.
- Use the bracket (Item No2) to join the door panel and fridge door, use 2 screws (Item No20) and 1 screw (Item No22) to fix.



# INSTALLATION



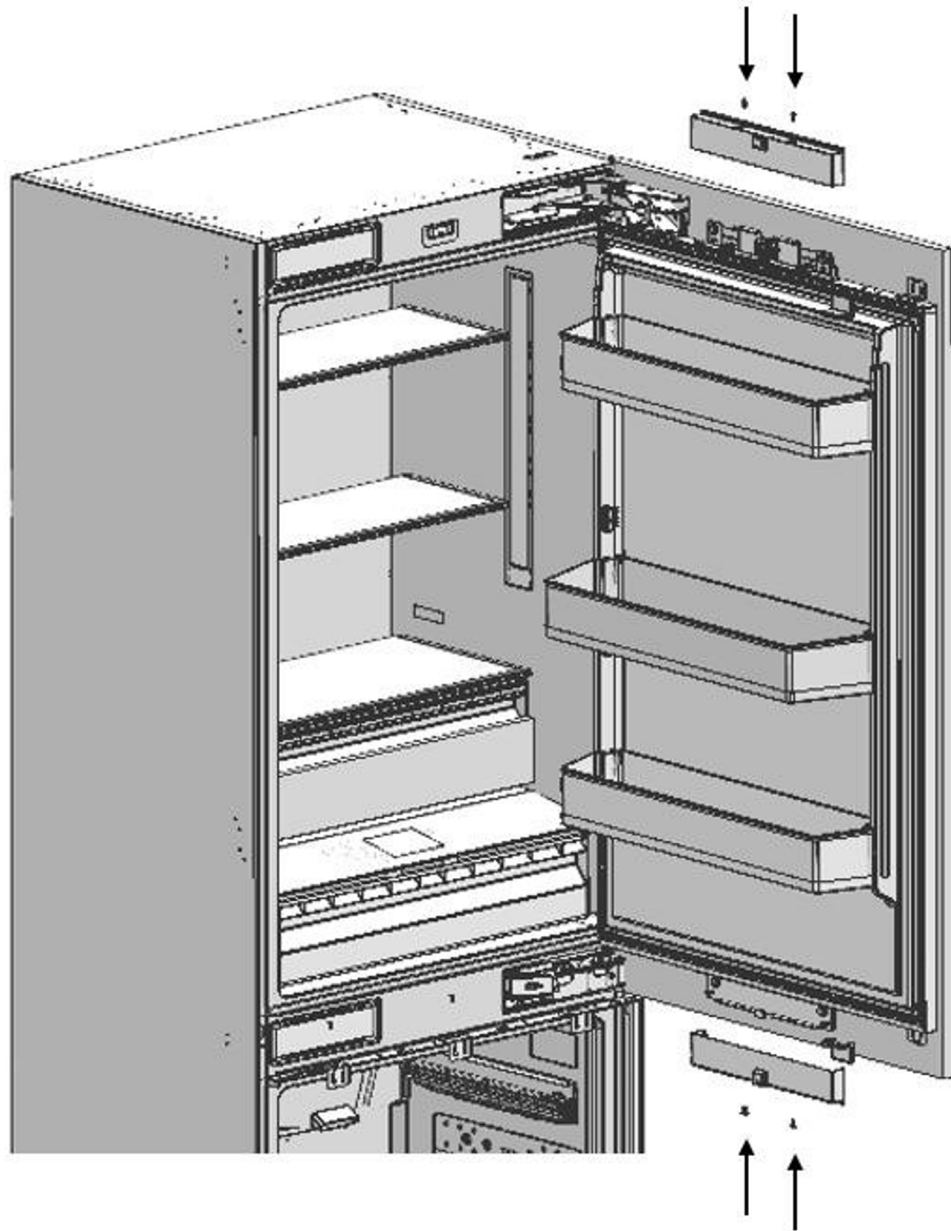
- Clip the decoration cover (Item No19)



# INSTALLATION



- Use the 4 screws removed from here to fix the upper/lower decoration cover.
- Note: The upper decoration cover must contain the magnet for the magnetic door switch.



Do not dispose of any spare or extra parts as they may be required should the need to reverse the opening orientation of the door at a later date.

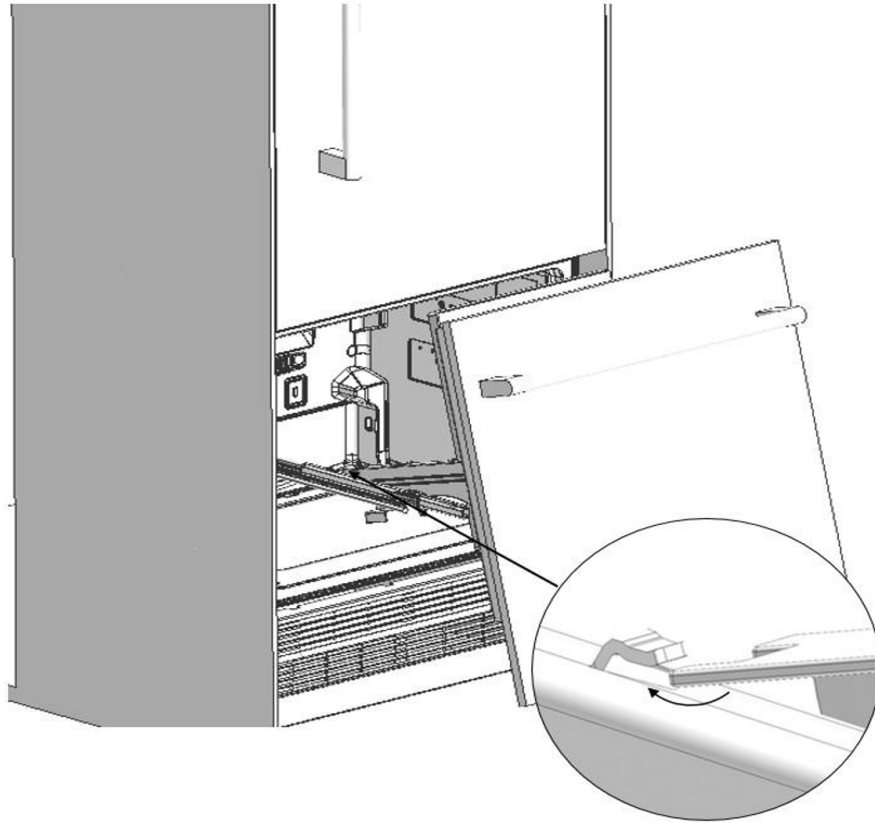
# INSTALLATION



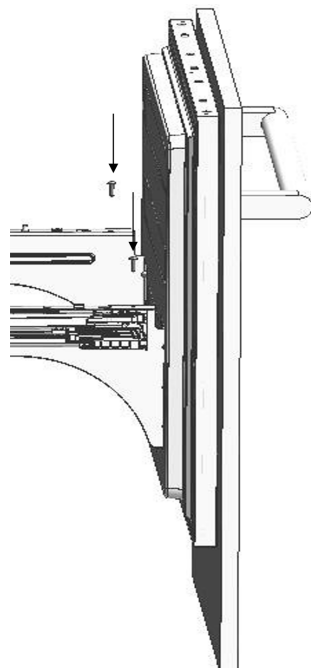
WARNING

## INSTALLING THE FREEZER DOOR PANEL

- Install the freezer door panel assembly onto the rails, noting the rear rail locating lock tabs are lined up.



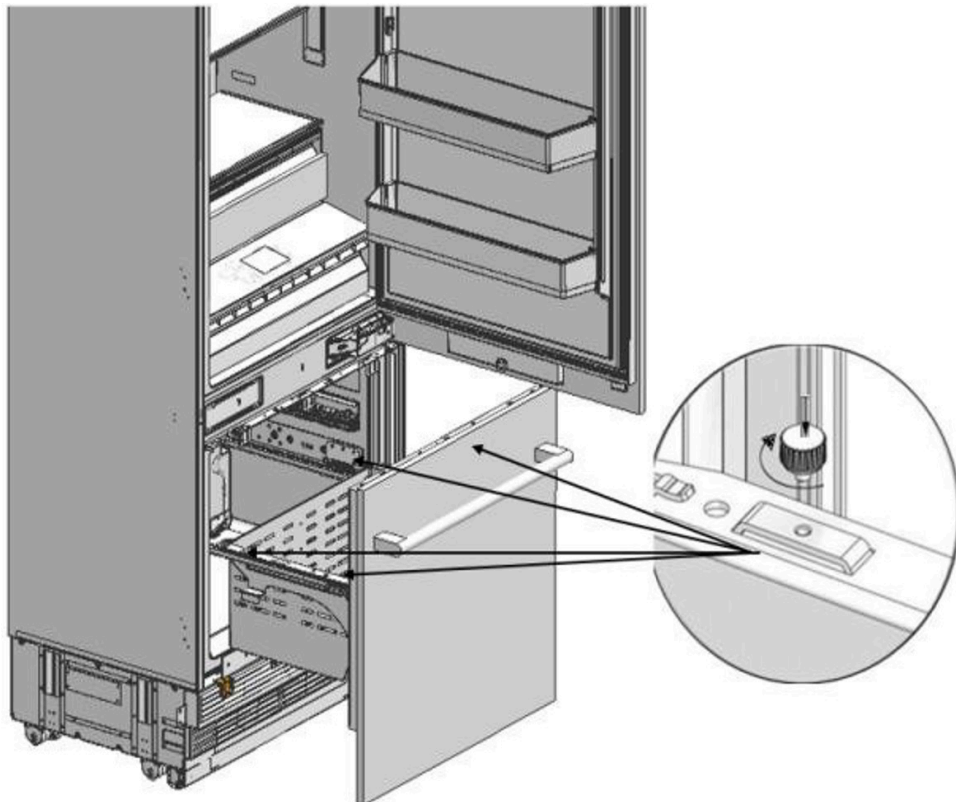
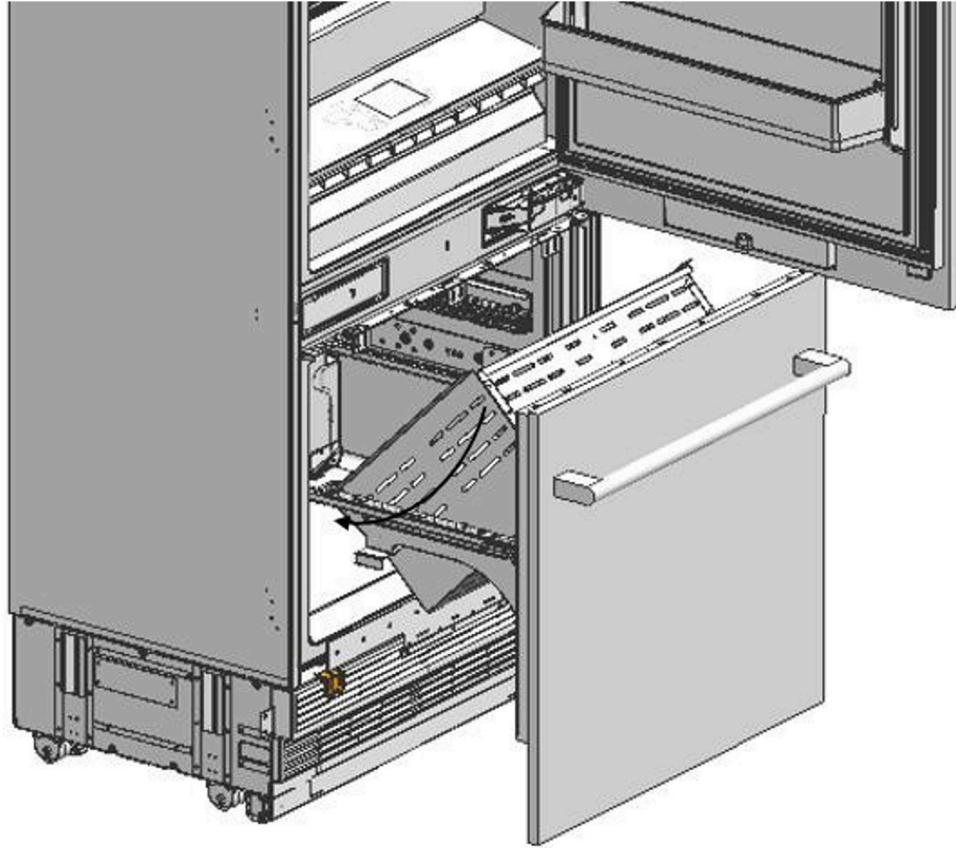
- Fix the freezer door panel assembly onto the rails with the 2 screws removed earlier.



# INSTALLATION



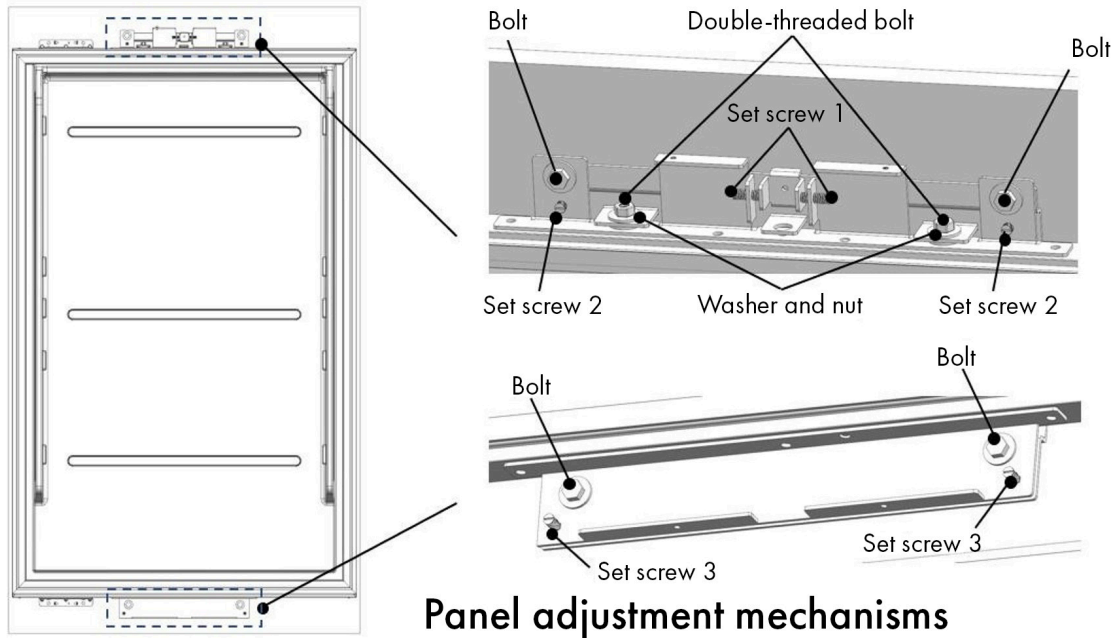
- Locate the drawer onto the rail and tighten the four knurled screws removed earlier.



# INSTALLATION



If you need to adjust the door panels and the operating principle of the mechanisms are shown below.



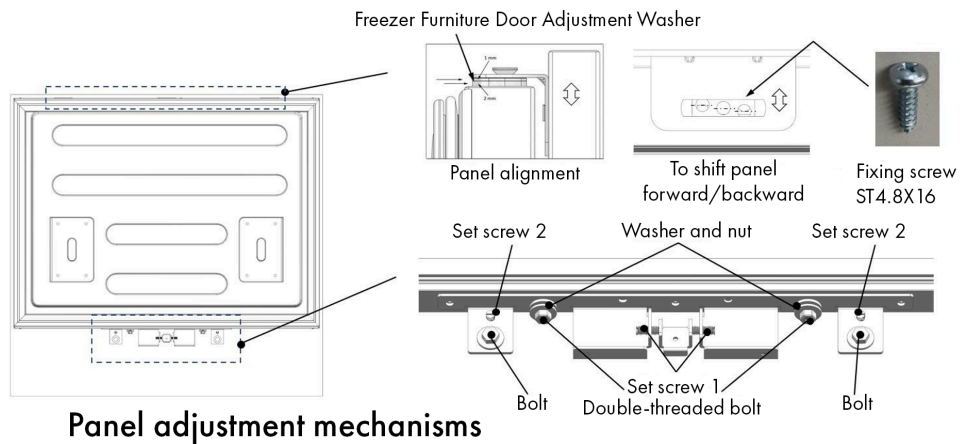
## Panel-adjustment for fridge door

1. Use the double-threaded bolts to align the door panel
2. Engage set screw 1 (see the graphic) to shift the panel side to side.
3. Engage set screw 2 (see the graphic) to shift the panel forward/backward; engage bolt to set the panel top part in place.
4. Engage set screw 3 (see the graphic) to shift the panel forward/backward; engage bolt to set the panel lower part in place.
5. Engage fixing washer and nut to set the panel in place.

# INSTALLATION



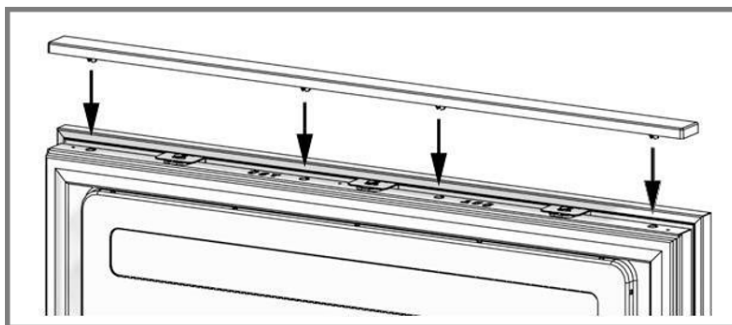
WARNING



Panel adjustment mechanisms

## Panel-adjustment for freezer door

1. Use the freezer door panel adjustment washer to align the door panel top part.
  2. Engage set screw 1 (see the graphic) to shift the panel side to side.
  3. Select fixing hole (see the graphic) to shift the panel forward/backward; engage fixing screw to set the panel in place.
  4. Engage set screw 2 (see the graphic) to shift the panel forward/backward; engage bolt to set the panel in place.
  5. Engage the double-threaded bolts fixing the door panel lower part.
  6. Engage washer and nut fixing the panel lower part in place.
- Attach the freezer cover (5) using the tabs.



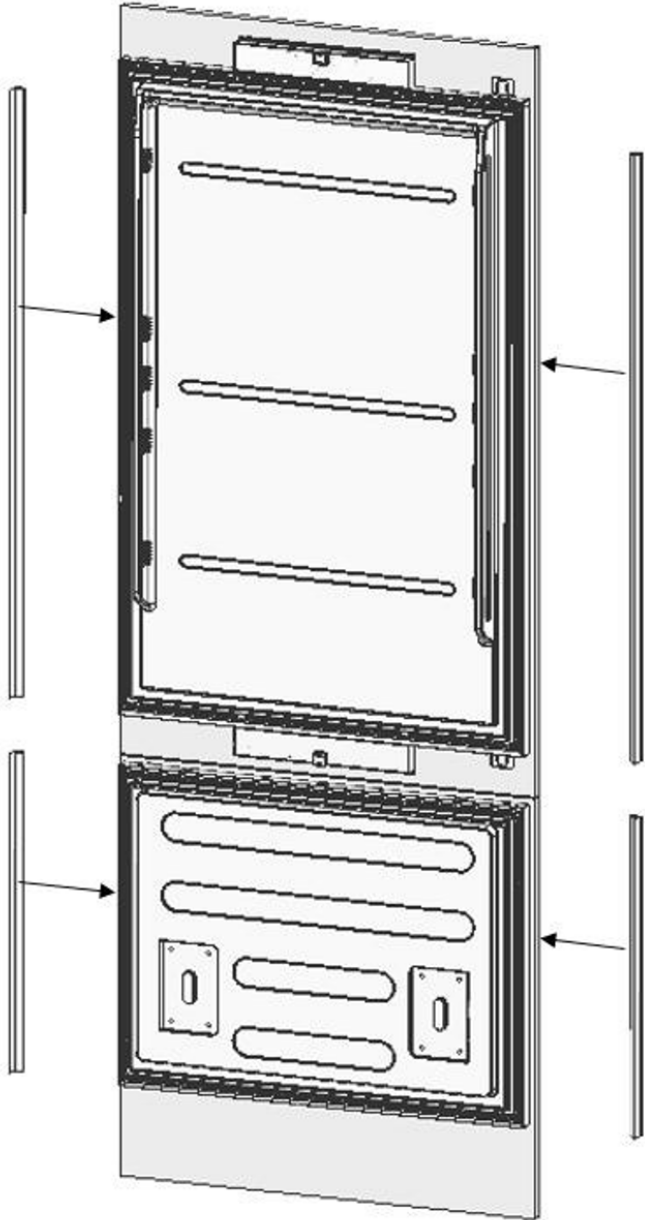
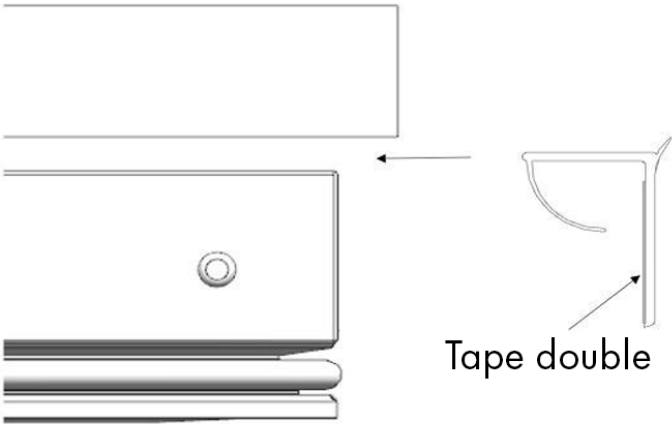


# INSTALLATION



WARNING

- Attach the side closing seals (2) (3).



# INSTALLATION

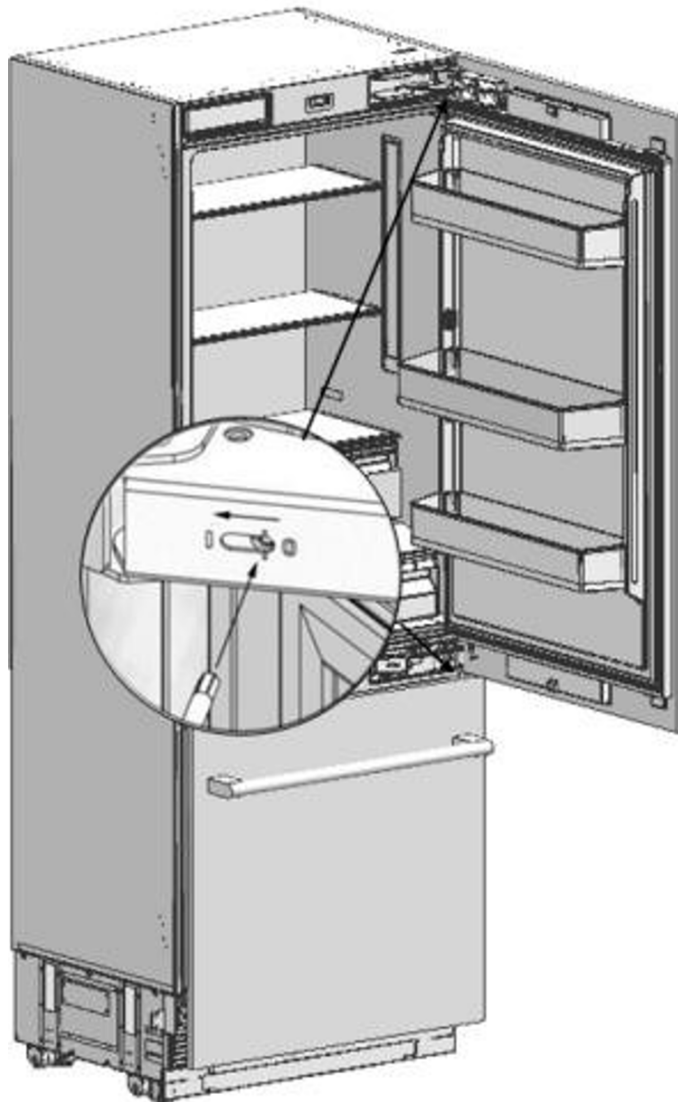


WARNING

## HINGE ADJUSTMENT

### How to adjust the tension of the door hinges

- Use a drill to adjust the hardness of the upper and lower hinges of the refrigerator door. Set the hinge adjustment screw to position "I" from position "O".



WARNING

The door must be fully open during this adjustment.



WARNING

Minimum thickness of the door must be  $\frac{3}{4}$ " (19 mm).

# INSTALLATION

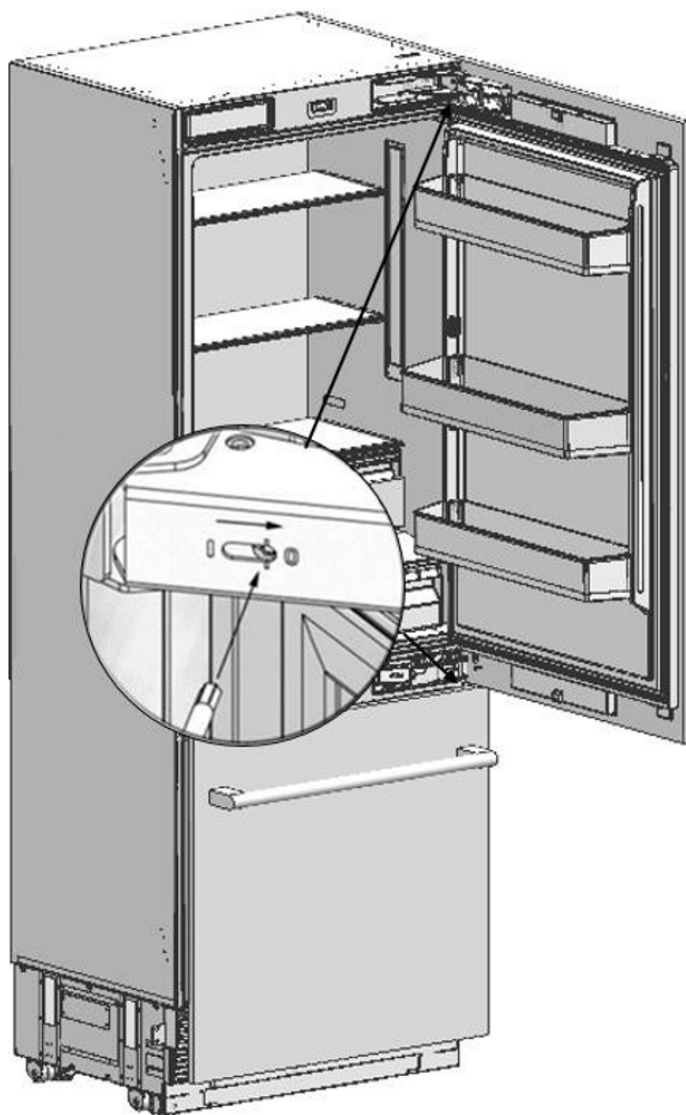


WARNING

## CHANGING THE DIRECTION OF THE REFRIGERATOR DOOR

### How to remove the refrigerator door assembly

- Using a 1/4" / T25 Torx bit, adjust the tension level to "0".

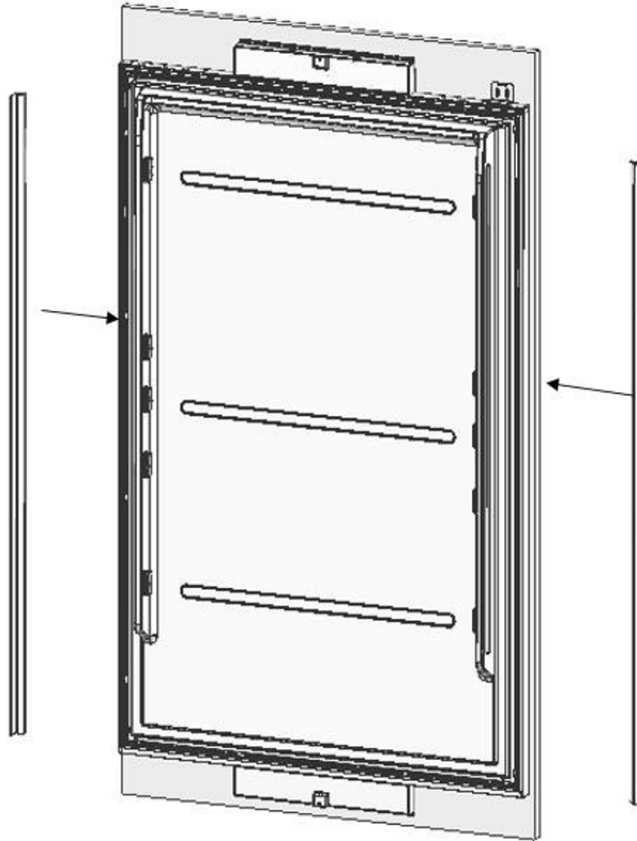


# INSTALLATION

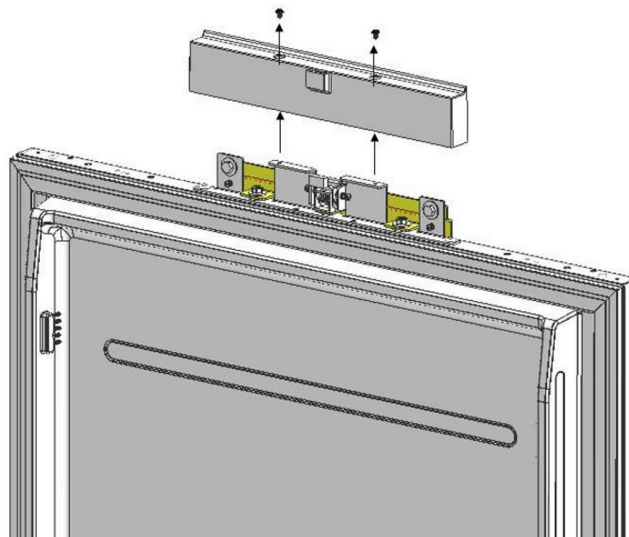


Failure to set the hinge to "0" and continuing the installation like that may cause injury.

- Remove the side closing seals.



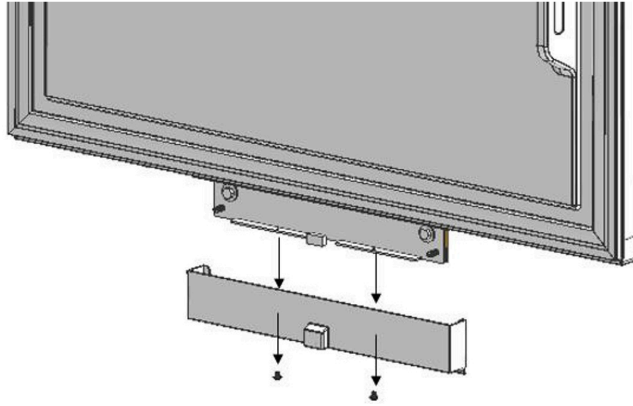
- Loosen 2 screws of the upper cover of the fridge door and remove it.
- Remove the upper adjustment kits



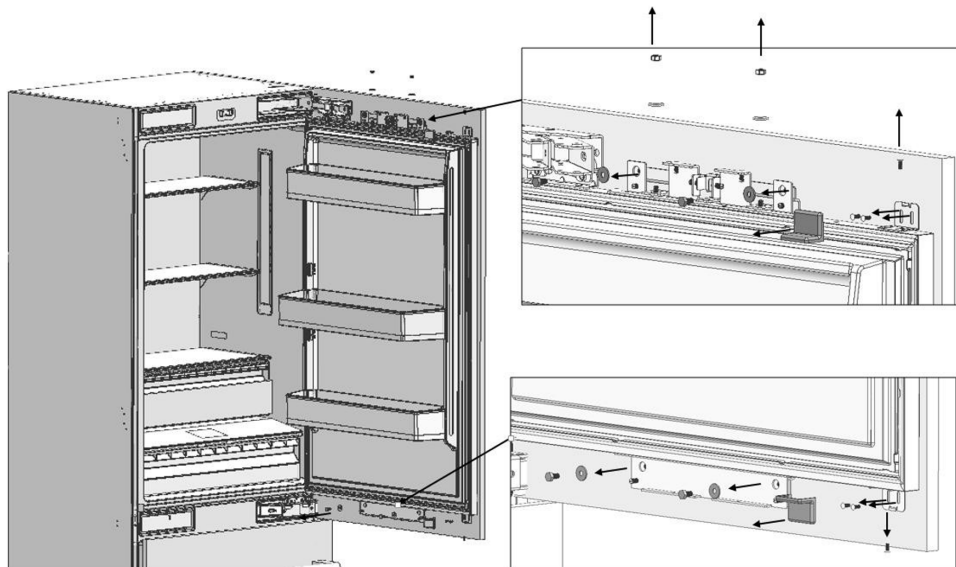
# INSTALLATION



- Loosen 2 screws of the lower cover of the fridge door and remove it.



- Remove lower and upper bracket screws.



- Remove the screw of upper and lower mechanisms.

# INSTALLATION



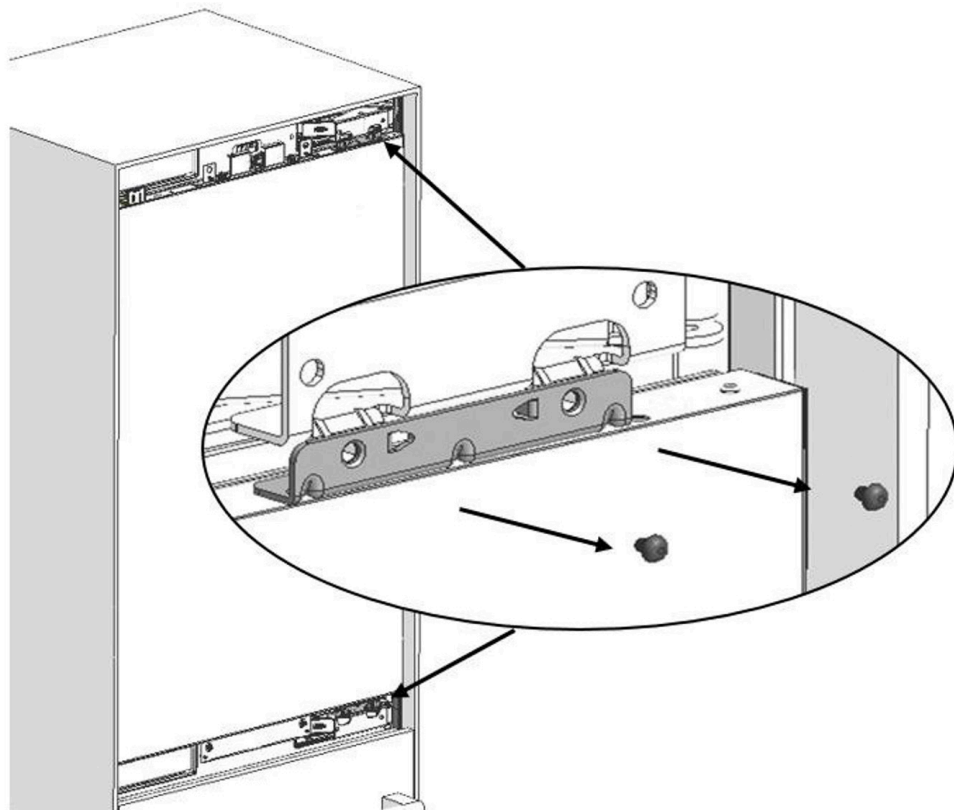
The refrigerator door assembly will be free once these screws are removed. It will be heavy and be sure to must take measures to prevent the door from falling or causing any damage or injury.

You can tape the door panel to the Inner door or ask for help from another person.

- Take the fridge door panel and lay it down on a table upside down.
- You must attach the door panel by rotating it 180° based on its current position.

## Removing and preparing the fridge inner door

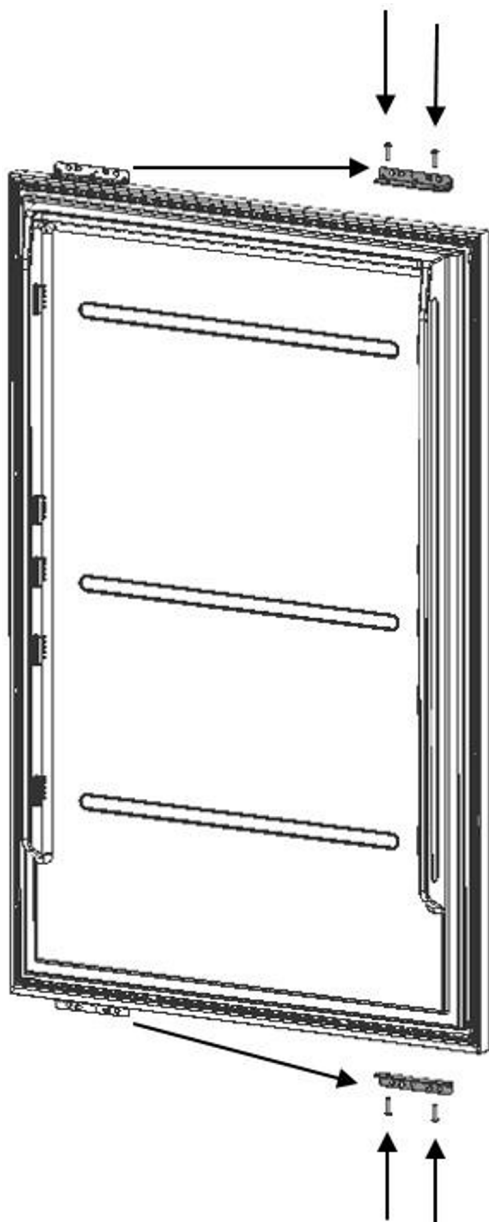
- Remove the hinge connection screws of the hinge brackets.



# INSTALLATION



- Take out the door and lay it down on a table remove the fixing parts and screw them to the opposite side of the door.
- Attach the hanger sheet using 2 screws.



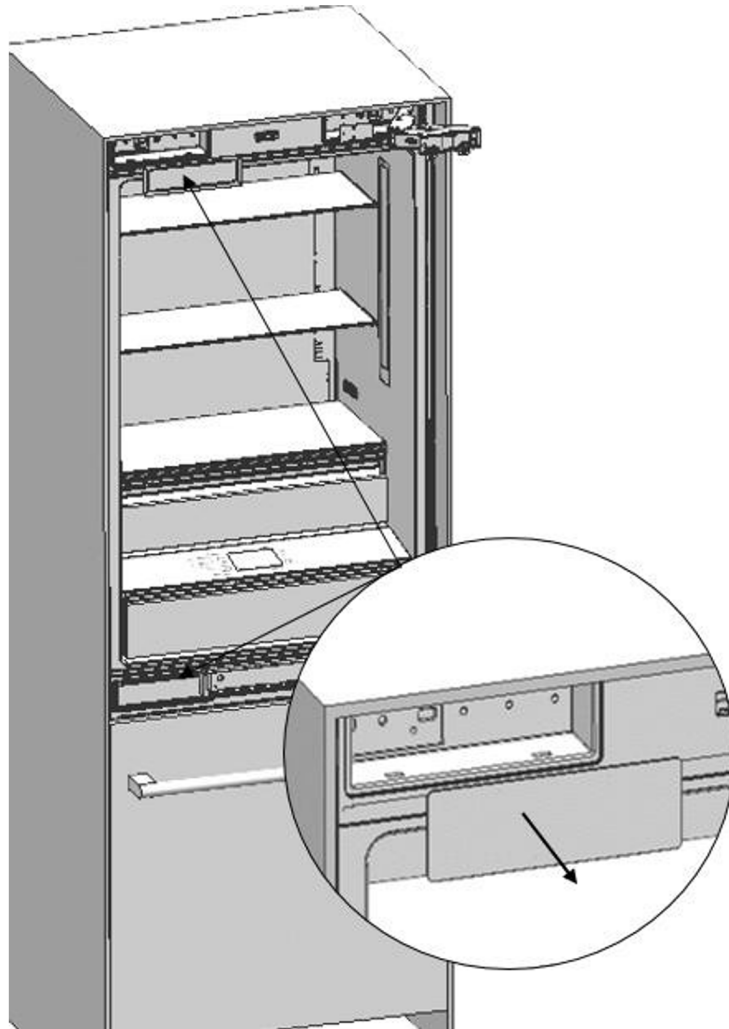
# INSTALLATION



ATTENTION

## Replacing the hinges

- Remove the hinge caps located at the other side where you will fix the hinges.

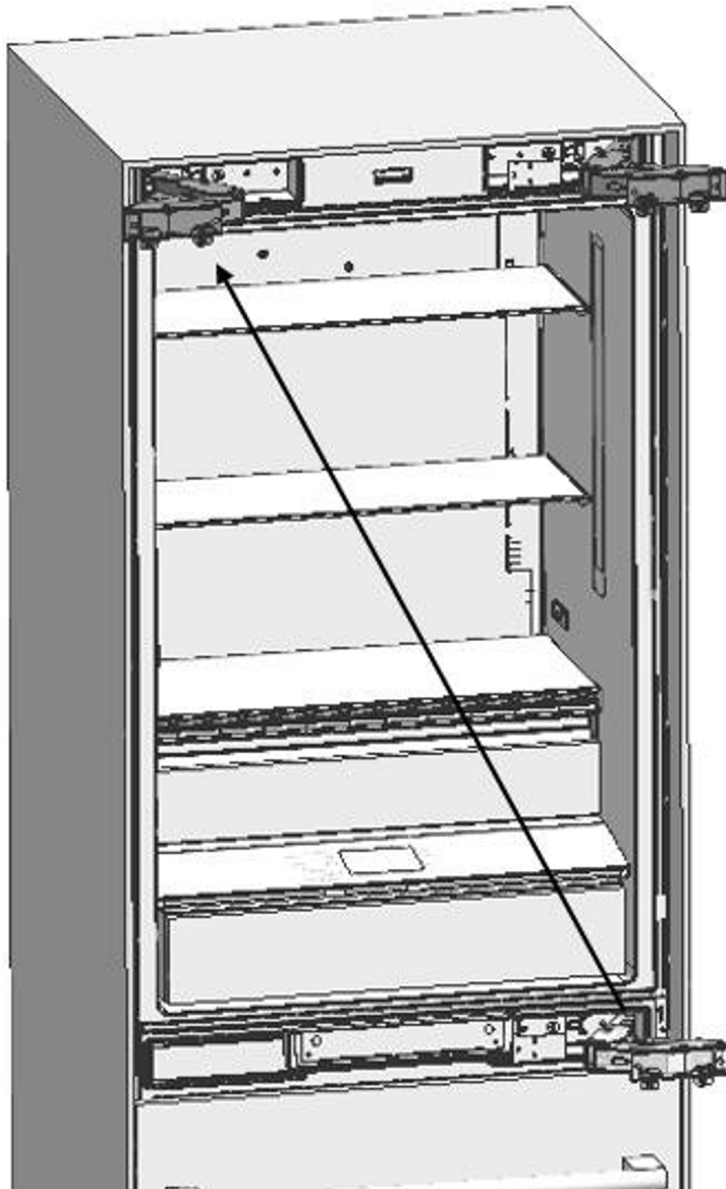




# INSTALLATION



- Remove the lower right hinge by loosening its 2 screws and fix it to its slot at the upper left side.

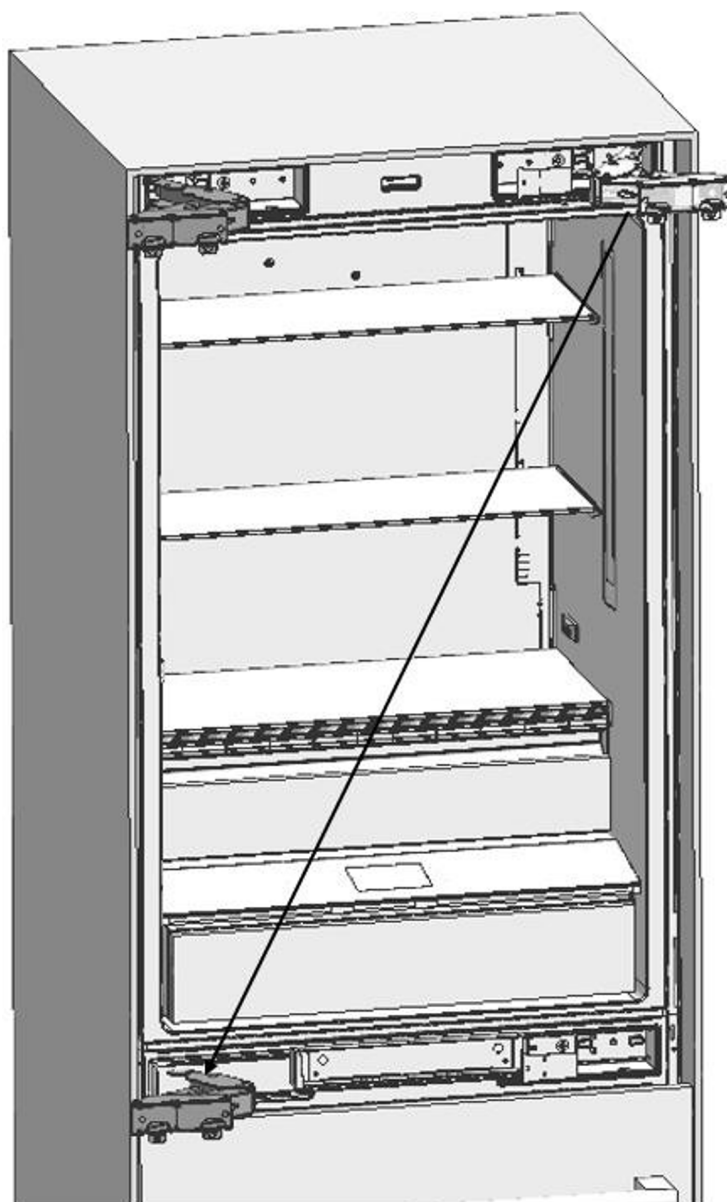


# INSTALLATION



ATTENTION

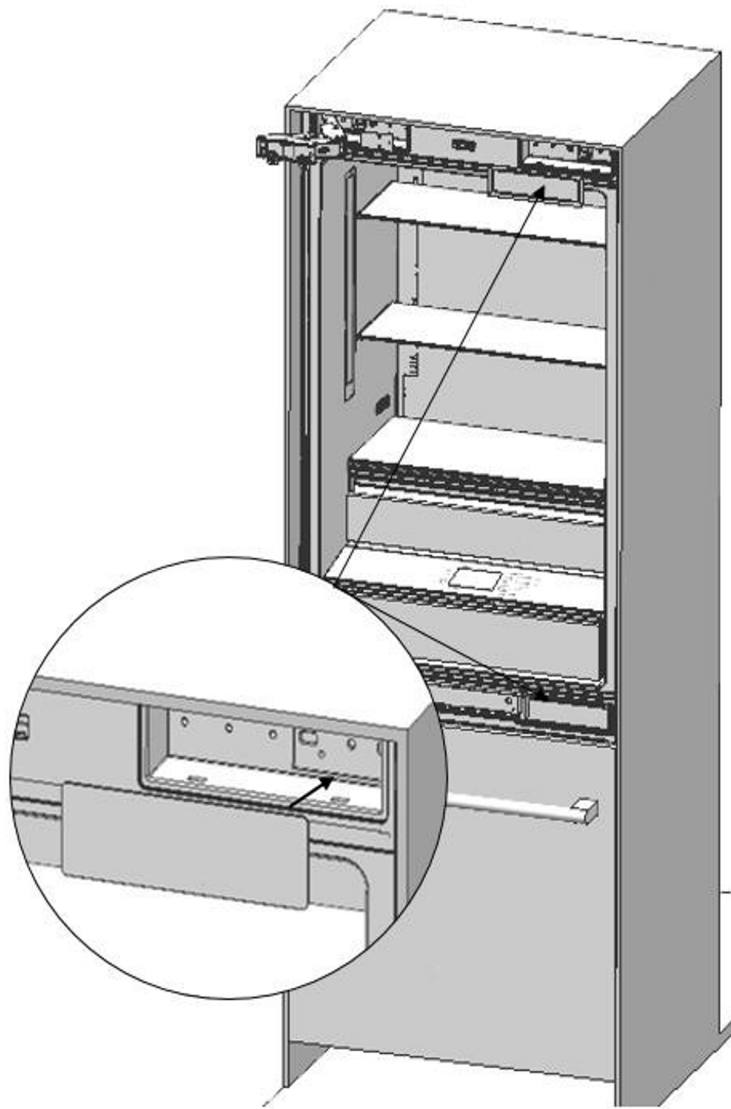
- Remove the upper right hinge by loosening its 2 screws and fix it to its slot at the lower left side.



# INSTALLATION



- Attach the hinge slot caps removed from the left side to the hinge caps at the right side.



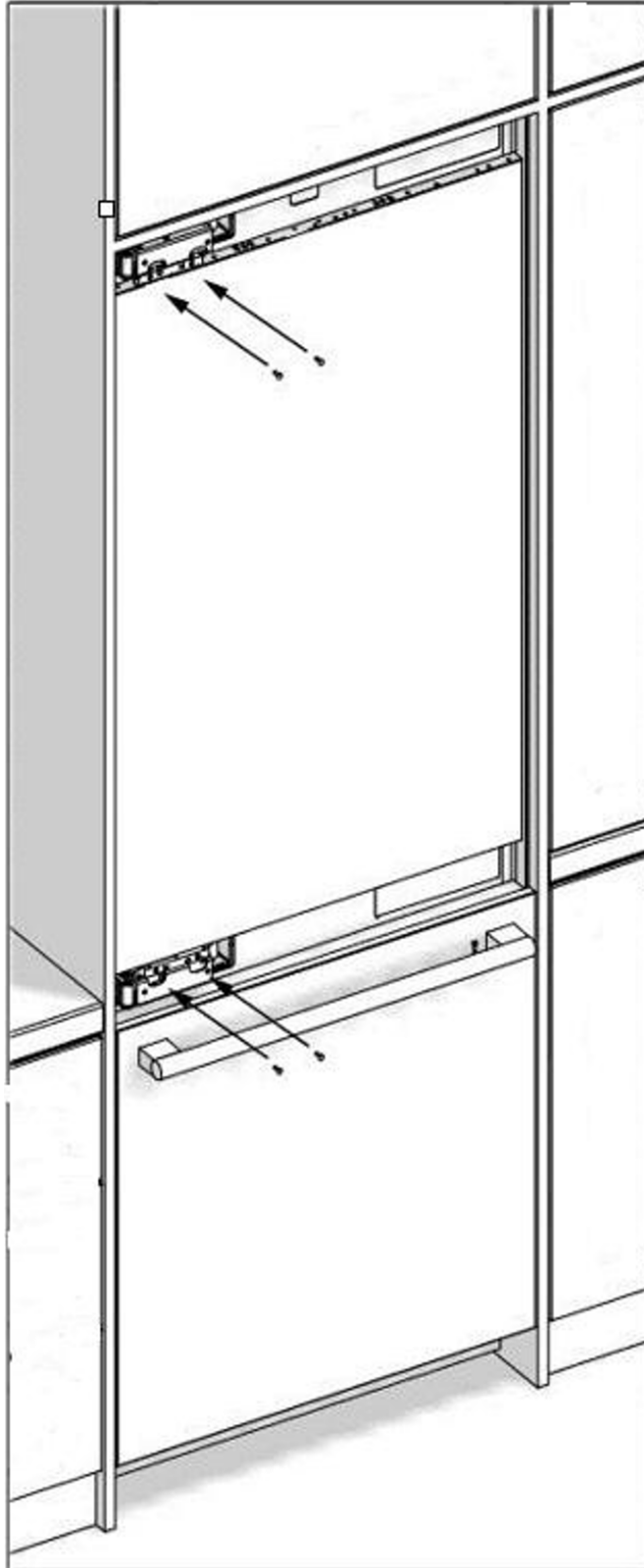
# INSTALLATION



ATTENTION

## INSTALLING THE REFRIGERATOR DOOR

- Place the fridge inner door to the refrigerator and fix it with 4 screws.





Need additional information?  
Scan the QR code to view the most up-to-date version of our user manual and installation guide.



Need to purchase a part or accessory for your ZLINE product?  
Visit [ZLINEparts.com](http://ZLINEparts.com), ZLINE's official parts distribution partner.





2.0.0

[zlinekitchen.com](http://zlinekitchen.com)

1-614-777-5004

[contact@zlinekitchen.com](mailto:contact@zlinekitchen.com)

**ZLINE**  
ATTAINABLE LUXURY®