

User Guide Manual

WRFS26D...
WRFS26S...

WINIA

Contents

Important Safety Instructions.....	3
Parts and Features.....	7
Refrigerator Installation	8~14
Using your Refrigerator	15~21
Connecting the Water Line.....	22
Water Filter.....	23
Care and Cleaning.....	24
Troubleshooting Guide	25~26

IMPORTANT SAFETY INSTRUCTIONS

BASIC SAFETY PRECAUTIONS

This guide contains many important safety messages. Always **read and obey** all safety messages.



This is the safety alert symbol. It alerts you to safety messages that inform you of hazards that can kill or hurt you or others, or cause damage to the product.

All safety messages will be preceded by the safety alert symbol and the hazard signal word DANGER, WARNING or CAUTION. These words mean:

! DANGER

You **will** be killed or seriously injured if you do not follow instructions.

! WARNING

You **can** be killed or seriously injured if you do not follow instructions.

! CAUTION

Indicates an imminently hazardous situation which, if not avoided, **may** result in minor or moderate injury, or product damage.

All safety messages will identify the hazard, tell you how to reduce the chance of injury, and tell you what can happen if the instructions are not followed.

! WARNING

To reduce the risk of fire, electric shock, or personal injury when using your product, basic safety precautions should be followed, including the following.

Read all instructions before using this appliance.

- NEVER unplug your refrigerator by pulling on the power cord. Always grip the plug firmly and pull it straight out from the outlet.
- If the supply cord is damaged, it must be replaced by the manufacturer or its service agent or a similarly qualified person in order to avoid a hazard. Do not use a cord that shows cracks or abrasion damage along its length or at either the plug or connector end.
- Do not modify or extend the power cord length. It could cause electric shock or fire.
- When moving your refrigerator away from the wall, be careful not to roll over or damage the power cord.
- DO NOT store or use gasoline or other flammable vapors and liquids in the vicinity of this or any other appliance.
- This appliance is not intended for use by persons (including children) with reduced physical, sensory or mental capabilities, or lack of experience and knowledge, unless they have been given supervision or instruction concerning use of the appliance by a person responsible for their safety.

- DO NOT allow children to climb, stand, or hang on the refrigerator doors or shelves in the refrigerator. They could damage the refrigerator and seriously injure themselves.
- Keep fingers out of pinch point areas; clearances between the doors and cabinets are necessarily small. Be careful closing doors when children are in the area.
- Unplug your refrigerator before cleaning or making any repairs.

NOTE: It is strongly recommended that any service be performed by a qualified technician.

- Keep ventilation openings, in the appliance enclosure or in the built-in structure, clear of obstruction.
- Do not use mechanical devices or other means to accelerate the defrosting process, other than those recommended by the manufacturer
- Do not damage the refrigerant circuit
- Do not use electrical appliances inside the food storage compartments of the appliance unless they are of the type recommended by the manufacturer
- Connect to potable water supply only.

SAVE THESE INSTRUCTIONS

WARNING

- Before replacing a burned-out or broken light bulb, unplug the refrigerator or turn off power at the circuit breaker or fuse box in order to avoid contact with a live wire filament. (A burned-out light bulb may break when being replaced exposing the wire filament.)
NOTE: Some models have LED interior lighting and service should be performed by a qualified technician.
WARNING: Setting either or both controls to the OFF position does not remove power to the light circuit.
- When you are finished, reconnect the refrigerator to the electrical source and reset the controls (Thermostat, Refrigerator Control, and or Freezer Control, depending on the model) to the desired setting.
- This refrigerator must be properly installed in accordance with the Attention Installer Instructions.
- After your refrigerator is in operation, do not touch the cold surfaces in the freezer compartment when hands are damp or wet. Skin may adhere to the extremely cold surfaces.
- Do not plug several appliances into the same wall outlet. - It can be a cause of overheating and/or fire. Use an exclusive grounding receptacle for the refrigerator.
- Never hold the power cord or plug with wet hands. - There is a risk of electric shock
- Never use a damaged power cord or plug, or loose main socket. - There is a risk of fire, electric shock or serious injury.
- Be sure to ground. Check if your wall outlet is grounded (earthed). - There is a risk of electric shock hazards.
- Do not install the refrigerator on a wet floor or in a place with excessive humidity and moisture. - Electric insulation gets weakened, resulting in a risk of electric shock hazards.
- Never let the power cord touch or pass over heating appliances. - Power cord can be damaged, resulting in a risk of electric shock hazards.
- Make sure plug is fully inserted into socket to prevent the risk of electrical shock.
- Do Not store or use gasoline or other flammable vapors and liquids in the vicinity of this or any other appliance.
- Never pour or spray water into the refrigerator (both interior and exterior). - Electric insulation gets weakened, resulting in a risk of electric shock hazards.
- Do not place containers with water or liquid on top of refrigerator. - Water can spill into the refrigerator and can cause electric shock hazards or damage.
- Do not move or remove compartment shelves/pockets while foods and containers are on them. - Hard containers (of glass, metal etc.) can fall to hurt you and can break glass shelf and interior parts.
- Never repair, disassemble or alter the refrigerator on your own. - There is a risk of personal injury or damage to the refrigerator. It is recommended that any service be carried out by a qualified person.
- If a gas leak is found near the refrigerator or in the kitchen, ventilate it immediately without touching the power plug or refrigerator.
- Do not store medicine, academic research samples which require strict temperature control in the refrigerator.
- Never insert fingers or hands into the bottom of the refrigerator, especially into the bottom back. - You can be hurt by sharp metal edges or can receive an electric shock.
- When you find the power cord damaged or cut, call the service agent immediately.
- When you get rid of your old refrigerator, be sure to remove the door packings first. - Children can be entrapped and suffocated in an abandoned refrigerator.
- It is recommended to unplug the refrigerator when it is not going to be used for a long period of time.
- Never touch foods and containers especially of metal with wet hands in the freezer compartment. - You can be hurt by chilblains or cold burns.
- Never eat any decayed or deteriorated food at all. - Foods stored too long in the refrigerator can deteriorate and become decayed.
- Never place bottles and containers of glass in the freezer compartment. - Glass containers and bottles can break and hurt you.
- When moving the refrigerator (horizontally or tilted), more than 2 persons are required to hold it.(One to hold top back handles, the other to hold the bottom holder). If other parts are held instead, it is very dangerous and likely to slip.

SAVE THESE INSTRUCTIONS

⚠ WARNING

- Be sure to turn up the wheel first before moving the refrigerator - Be sure to turn up the wheel first before moving the refrigerator, Otherwise, the parts can collide and break each other.
- DO NOT touch the automatic ice making mechanism while the refrigerator is plugged in.
- DO NOT refreeze frozen foods which have thawed completely. The United States Department of Agriculture in Home and Garden Bulletin No. 69 says:

...You may safely refreeze frozen foods that have thawed if they still contain ice crystals or if they are still cold—below 39°F (4°C).

...Thawed ground meats, poultry or fish that have any off-odor or off-color should not be refrozen and should not be eaten. Thawed ice cream should be discarded. If the odor or color of any food is poor or questionable, dispose of it. The food may be dangerous to eat.

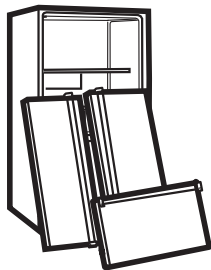
Even partial thawing and refreezing reduces the eating quality of foods, particularly fruits, vegetables and prepared foods. The eating quality of red meats is affected less than that of many other foods. Use refrozen foods as soon as possible to save as much of their quality as you can.

⚠ WARNING : The use of this appliance can expose you to chemicals known to the state of California to cause cancer, birth defects, or other reproductive harm. For more information go to www.P65Warnings.ca.gov

SAVE THESE INSTRUCTIONS

⚠ DANGER: RISK OF CHILD ENTRAPMENT

Junked or abandoned refrigerators are dangerous, even if they are sitting for only a few days. If you are getting rid of your old refrigerator, please follow the instructions below to help prevent accidents (child entrapment and suffocation).



BEFORE YOU THROW AWAY YOUR OLD REFRIGERATOR OR FREEZER:

- Take off the doors.
- Leave the shelves in place so that children may not easily climb inside.

CFC/HCFC DISPOSAL

Your old refrigerator may have a cooling system that used CFCs or HCFCs (chlorofluorocarbons or hydrochlorofluorocarbons). CFCs and HCFCs are believed to harm stratospheric ozone if released to the atmosphere. Other refrigerants may also cause harm to the environment if released to the atmosphere

If you are throwing away your old refrigerator, make sure the refrigerant is removed for proper disposal by a qualified technician. If you intentionally release refrigerant, you may be subject to fines and imprisonment under provisions of environmental legislation.

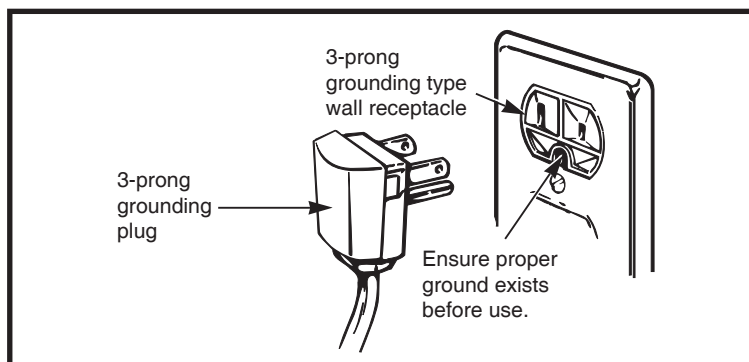
ELECTRICAL & GROUNDING REQUIREMENTS

IMPORTANT: Please read carefully.
TO CONNECT ELECTRICITY

⚠ WARNING

Electrical Shock Hazard

FOR PERSONAL SAFETY, this appliance must be properly grounded. Have the wall outlet and the circuit checked by a qualified electrician to make sure the outlet is properly grounded.



RECOMMENDED GROUNDING METHOD

The refrigerator should always be plugged into its own individual properly grounded electrical outlet rated for 115 Volts, 60 Hz, AC only, and fused at 15 or 20 amperes. This provides the best performance and also prevents overloading house wiring circuits which could cause a fire hazard from overheated wires. It is recommended that a separate circuit serving only this appliance be provided.

Use a receptacle that cannot be turned off with a switch or pull chain. Do not use an extension cord.

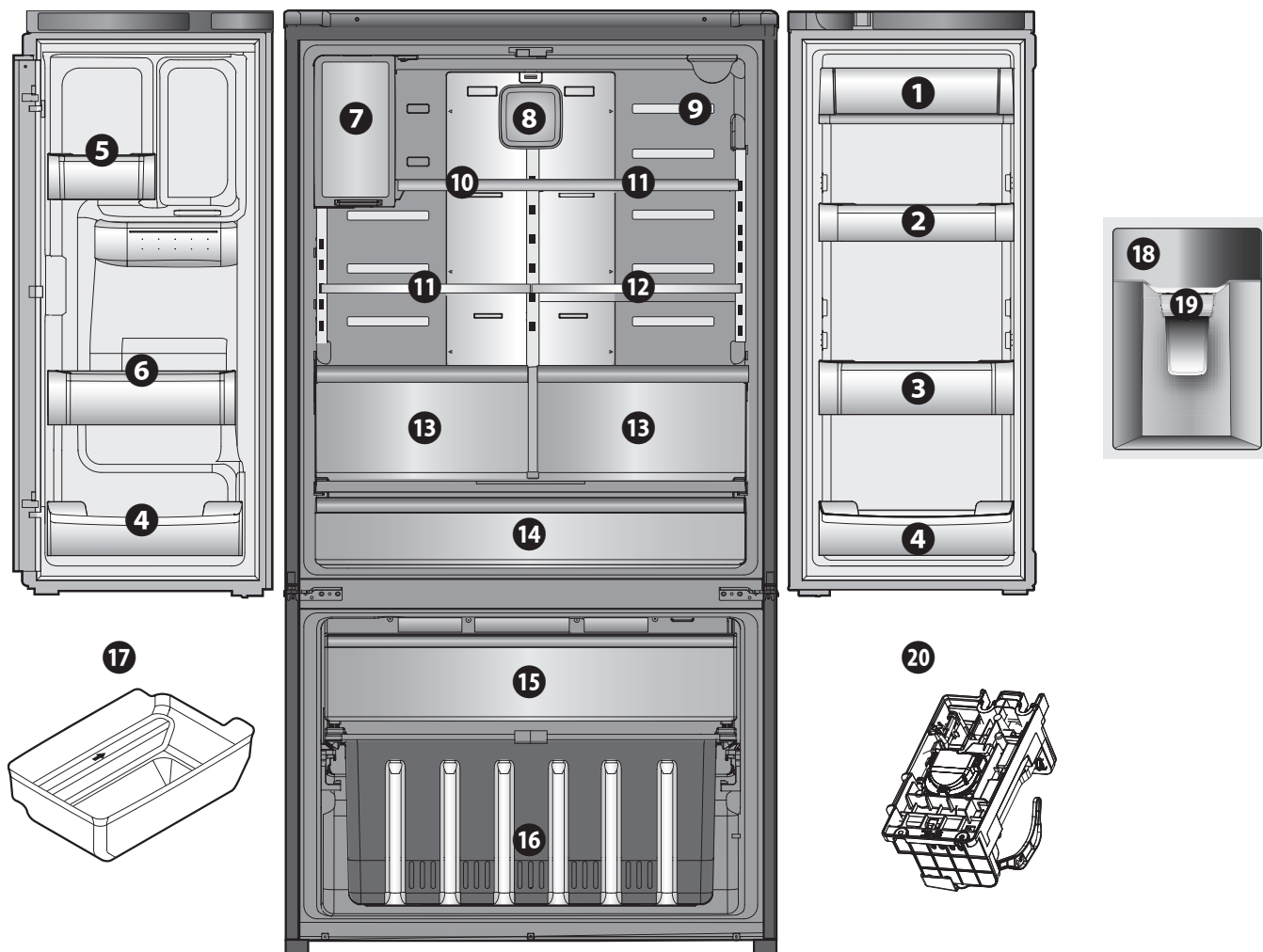
Where a standard two-prong wall outlet is encountered, it is your personal responsibility and obligation to have it replaced with a properly grounded three-prong wall outlet.

USE OF EXTENSION CORDS

Because of potential safety hazards under certain conditions, the use of an extension cord is not recommended. However, if you still elect to use an extension cord, it is absolutely necessary that it be a UL- listed (USA), 3-wire grounding type appliance extension cord having a grounding type plug and outlet, and that the electrical rating of the cord be 15 amperes (minimum) and 120 volts.

Use of an extension cord will increase the clearance needed for the back of the refrigerator.

PARTS AND FEATURES



This instruction manual refers to several models. Features may vary according to model. Features with * are applicable on WRFS26S... models only.

- | | |
|---|---|
| <ul style="list-style-type: none"> 1. Covered Dairy Bin or Covered Storage Bin
for storing butter and cheese. 2. Low profile door storage bin
for items of medium to large size. 3. Gallon door storage bin
for items of medium to large size. 4. Low profile door storage bin
for items of medium size. 5. Small door storage bin
for small items. 6. Narrow door storage bin
for small items. 7. Icemaker/Ice cube bin
for making and holding ice for through-the-door dispenser. 8. Air filter 9. Water filter | <ul style="list-style-type: none"> 10. Narrow Top Shelf 11. Adjustable glass shelf 12. Slide Shelf (*) 13. Humidity controlled crisper bin
for storage of fruits and vegetables 14. Temperature Control full width pantry drawer (*)
for storage of meat and fresh vegetables 15. Pull out freezer drawer 16. Lower freezer basket
for general freezer storage 17. Freezer Ice Storage Bin 18. Control and display panel 19. Ice/Water Dispenser 20. Freezer icemaker (*) |
|---|---|

REFRIGERATOR INSTALLATION

PRIOR TO USE

1. Clean your refrigerator thoroughly and wipe off all dust that accumulated during shipping.
2. Install accessories such as ice cube bin, drawers, shelves, etc., in their proper places. They are packed together to prevent possible damage during shipment.
3. Allow your refrigerator to run for at least two to three hours before putting food in it. Check the flow of cold air in the freezer compartment to ensure proper cooling. Your refrigerator is now ready for use.

INSTALLATION

The refrigerator should always be plugged into its own individual properly grounded electrical outlet rated for 115 Volts, 60 Hz, AC only, and fused at 15 or 20 amperes. This provides the best performance and also prevents overloading house wiring circuits which could cause a fire hazard from overheated wires. It is recommended that a separate circuit serving only this appliance be provided.

WARNING

Shock Hazard:

To reduce the risk of electric shock, do not install the refrigerator in a wet or damp area.

INSTALLATION (continued)

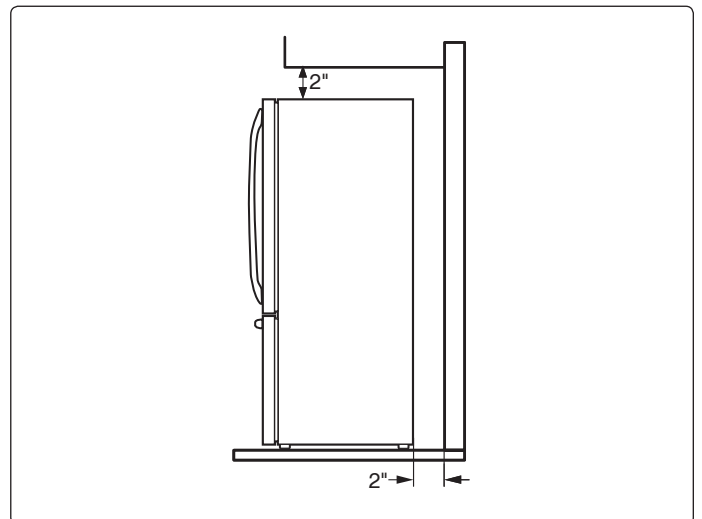
1. To avoid noise and vibration, the unit must be leveled and installed on a solidly constructed floor. If required, adjust the leveling legs to compensate for unevenness of the floor. The front should be slightly higher than the rear to aid in door closing. Leveling legs can be turned easily by tipping the cabinet slightly. Turn the leveling legs to the left to raise the unit or to the right to lower it. (See Leveling and door Alignment.)

NOTE: Installing on carpeting, soft tile surfaces, a platform or weakly supported structure is not recommended.

2. Install this appliance in an area where the temperature is between 55°F (13°C) and 110°F (43°C). If the temperature around the appliance is too low or high, cooling ability may be adversely affected.
3. Select a place where a water supply can be easily connected for the automatic icemaker.

NOTE: The water pressure must be from 30 to 125 psi or 207-862 kPa or 2.1-8.8 kgf/cm². If the refrigerator is installed in an area with low water pressure below 30 psi, you can install a booster pump to compensate for the low pressure.

4. For sufficient door opening clearance, allow at least 4 inches between each side of the refrigerator and an adjacent wall or surface.
5. Too small of a distance from adjacent surfaces may result in lowered freezing capability and increased electricity consumption charges. Provide the following unobstructed clearance for sufficient air flow around the refrigerator:
 - At least 2 inches between refrigerator back and wall.
 - At least 2 inches between refrigerator top and overhead surface.

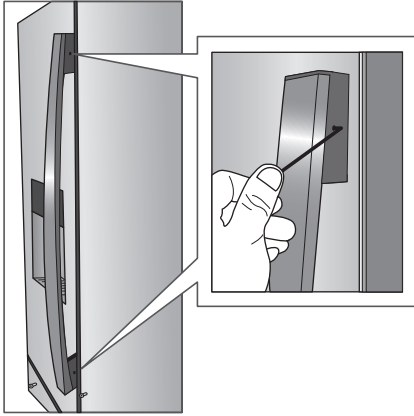


REFRIGERATOR INSTALLATION

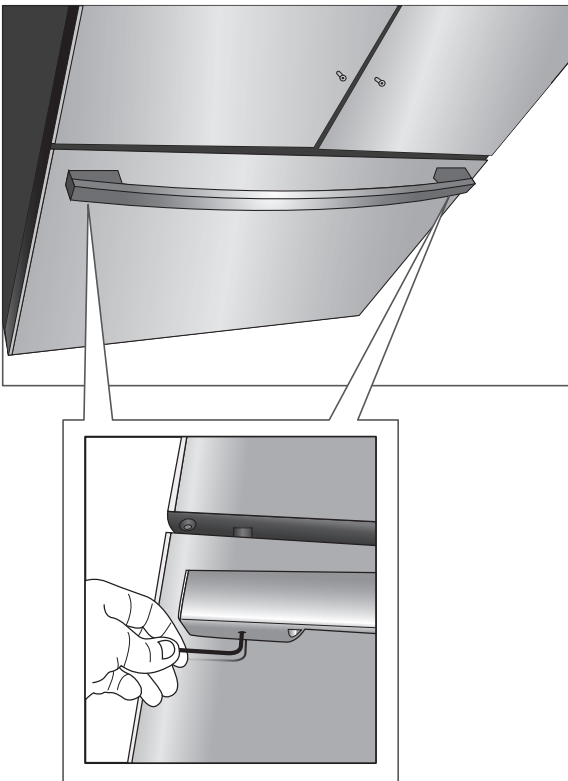
HANDLE INSTALLATION

- After installation and/or door leveling, install the handles.
- All the handles are identical.

1. Insert refrigerator door handles into guide.
Fix the handle with screw (supplied).



2. Insert freezer door handle into guide.
Fix the handle with screw (supplied).



REFRIGERATOR INSTALLATION

REMOVING AND REPLACING REFRIGERATOR DOORS

⚠ WARNING

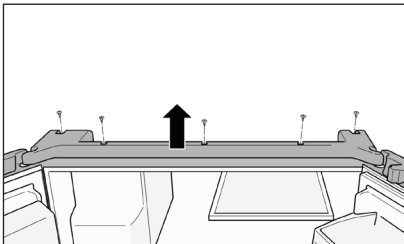
Risk of electric shock!

Before removing top hinge cover

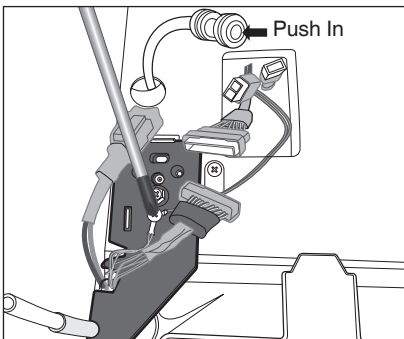
- Shut off the water supply to the appliance.
- Unplug the appliance or switch off power from the breaker or fuse panel.

To remove the left refrigerator door:

1. Remove top hinge cover using a phillips screwdriver by removing 5 screws.

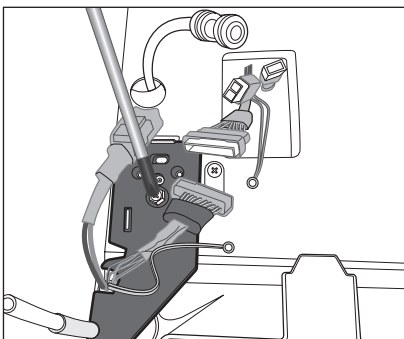


2. Remove the hinge grounding wire screw and pull the two grounding wire connections away from the hinge. Disconnect the three wire harnesses and the water tube. Push in the small first ring on the connection collar to remove the tube.

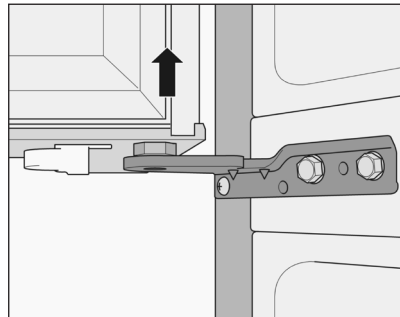


3. Using a large phillips screwdriver, turn top hinge fastener counterclockwise to remove the top hinge plate.

CAUTION: After the hinge is removed, the door can fall down forward. Hold the door to prevent it from falling.

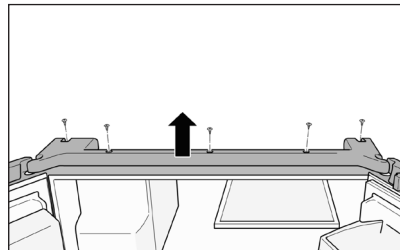


4. Lift the door from the middle hinge pin and remove the door. Place the door, inside facing up, on a non-scratch surface.



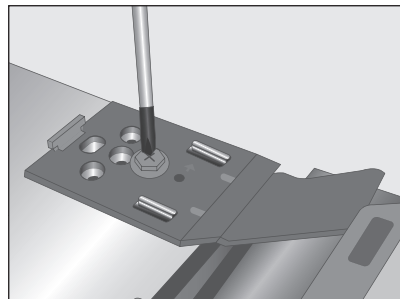
To remove the right refrigerator door:

1. Remove top hinge cover using a phillips screwdriver by removing 5 screws.



2. Using a large phillips screwdriver, turn top hinge fastener counterclockwise to remove the top hinge plate.

CAUTION: After the hinge is removed, the door can fall down forward. Hold the door to prevent it from falling.

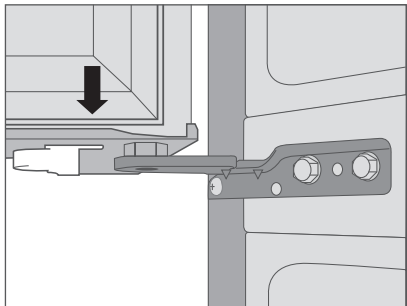


3. Lift the door from the middle hinge pin and remove the door. Place the door, inside facing up, on a non-scratch surface.

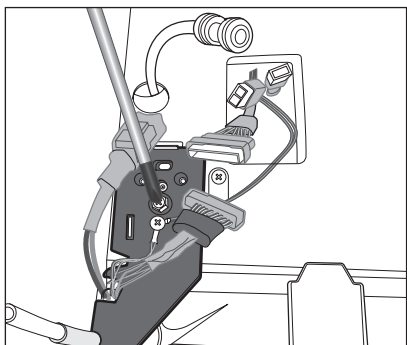
REFRIGERATOR INSTALLATION

Reinstalling the Left Refrigerator Door

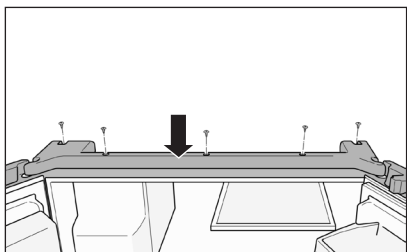
1. Lower the door onto the middle hinge.



2. Fit the top hinge over the mounting holes and align to proper position before tightening. Turn top hinge fastener clockwise to secure the hinge. Securely reconnect the grounding wires, wire harnesses and water tube. Simply push the water tube back into the collar to connect.

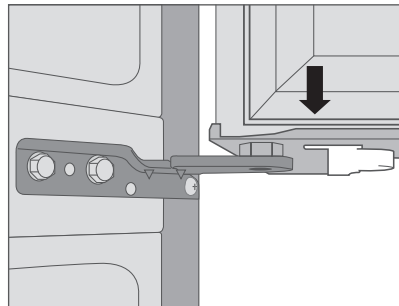


3. Screw top hinge cover into place with a screwdriver.

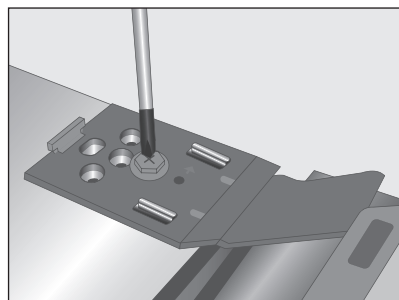


Reinstalling the Right Refrigerator Door

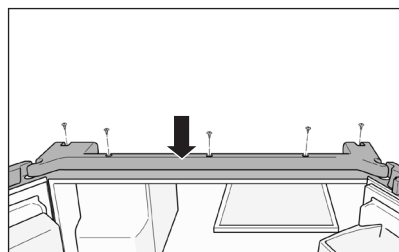
1. Lower the door onto the middle hinge.



2. Fit the top hinge over the mounting holes and align to proper position before tightening. Turn top hinge fastener clockwise to secure the hinge.



3. Screw top hinge cover into place with a screwdriver.

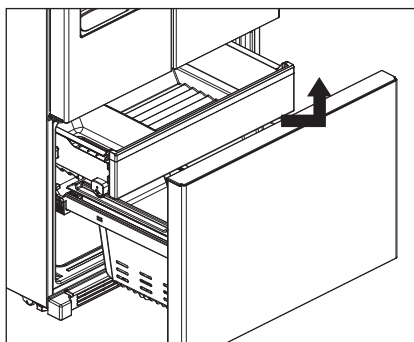


REFRIGERATOR INSTALLATION

HOW TO REMOVE THE FREEZER DRAWER

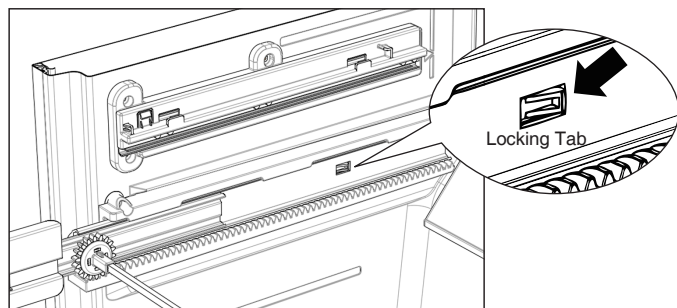
⚠ WARNING: Use two or more people to remove and install the freezer drawer. Failure to do so can result in personal injury, product or property damage.

1. Take out the ice bin first, and then take out the upper freezer drawer by lifting it up.



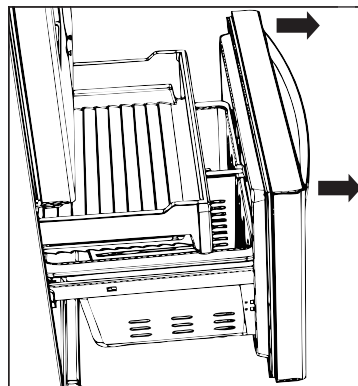
2. Remove lower freezer basket by pulling up and tilting toward refrigerator until it can be removed from the freezer drawer/door assembly.

3. Push the rail support locking tabs to release the main freezer drawer rails from the cabinet while slightly pulling the exterior freezer drawer outwards, so that the locking tab does not return to the locked position. The locking tabs are located in the freezer compartment to the rear of the main rail assembly (which is attached to main exterior freezer drawer) as shown in the illustration below.



4. Pull exterior freezer drawer to fully disengage the rail assembly from the unit. Use 2 people for this task as the door is heavy and awkward to handle.

⚠ CAUTION: Do not hold the handle when removing or replacing the drawer. The handle may come off and it could cause personal injury.

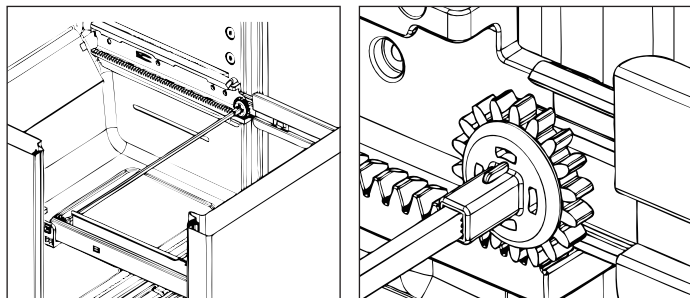


5. Place the door on a non-scratch surface.

REFRIGERATOR INSTALLATION

HOW TO INSTALL THE FREEZER DRAWER

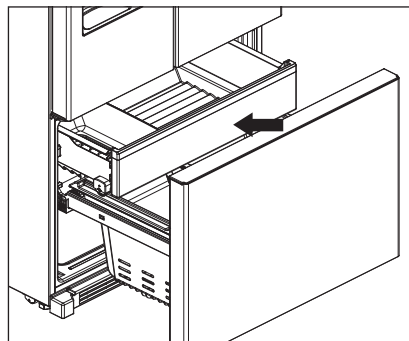
1. Using 2 people (recommended), align end of the exterior drawer rails to the lower rail guides located on the sidewalls of the freezer compartment. Make sure the gear teeth are engaged to the gear rail the same amount on both sides.



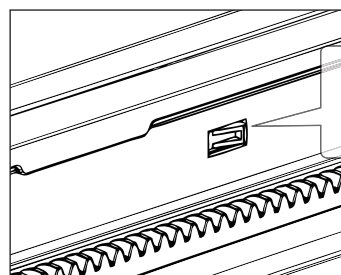
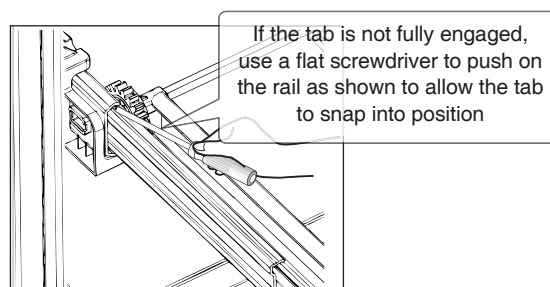
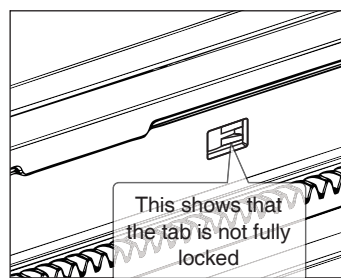
2. Fully push in and close freezer drawer to engage rails with rail support locking tab, applying a bit of pressure after the door is closed to seat the tabs to the rail.

CAUTION: Make sure the tabs are completely engaged to the rail or the refrigerator drawer could be pulled out of the refrigerator by the user. Fully open the freezer door to check and see if the locking tabs are fully engaged. If they are not engaged, gently push each freezer rail with a flat head screwdriver towards the freezer compartment until the locking tabs snap to the locked position.

3. Replace the lower freezer drawer basket.
4. Insert the upper freezer drawer above the lower basket, and replace ice bin into upper drawer.



5. Open and close the freezer drawer several times to make sure operation is smooth and seal is consistent all the way around the freezer compartment.



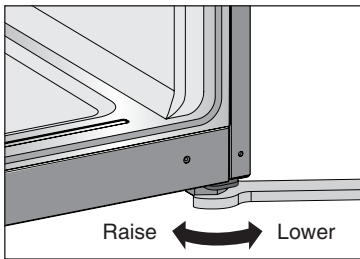
REFRIGERATOR INSTALLATION

REFRIGERATOR LEVELING & DOOR ADJUSTMENT

The refrigerator must be level in order to maintain optimal performance and desirable front appearance. (If the floor beneath the refrigerator is uneven, the freezer and refrigerator doors look unbalanced.)

Leveling Refrigerator

1. Pull open the freezer compartment and remove the upper drawer and lower drawer basket to gain access.
2. Using the wrench provided, turn the leveling leg clockwise to lower and counterclockwise to raise the front corners of the refrigerator.

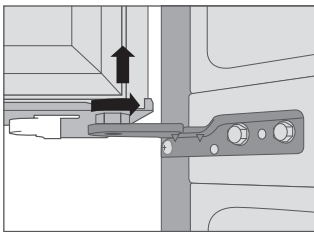


3. Install the lower drawer basket and upper drawer, then open and close the freezer compartment several times to make sure operation is smooth and without hindrance.

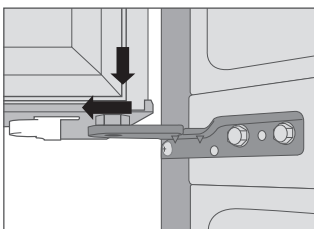
Adjusting a refrigerator door

If the height of the refrigerator doors is uneven, turn the screw nut on the middle hinge to adjust the refrigerator door.

1. To raise a refrigerator door turn the screw counterclockwise.



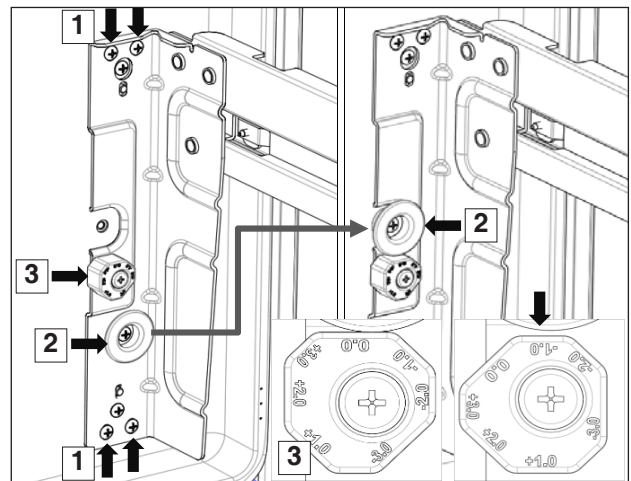
2. To lower a refrigerator door turn the screw clockwise.



Adjusting the freezer drawer

If the freezer drawer is lower on one side than the other, perform the steps listed below to raise that side. To access the adjustment components, first pull the drawer out to full extension. then remove the pullout drawer and the freezer basket.

1. Loosen the four screws on the rail bracket on the side where adjustment is needed.
2. Unscrew and remove Stopper and at washers from the lower position (left picture). Insert washers and screw Stopper into the upper position (right picture). The stopper will serve as a fixed edge against which to turn the Position Knob to adjust the height of the rail bracket.
3. Slightly pull the Position Knob forward and firmly rotate it to a different position, then release the knob back into place. The knob surfaces push against the edge of the stopper ring to vary the height of the rail bracket. The maximum adjustment variance is approximately 1/8 inch.
4. Retighten the four rail bracket screws.
5. Reinsert the freezer basket and pullout drawer. When inserting the basket, make sure that the tabs at the front of the basket fit into the slots on the freezer drawer rails.



USING YOUR REFRIGERATOR

SETTING THE CONTROLS

Temperature Control

NOTE: When changing control settings, wait 24 hours before making additional adjustments. The controls are set correctly when milk or juice is as cold as you would like and when ice cream is firm. If the temperature in either compartment is too cold or too warm, change the setting one increment at a time. Wait 24 hours for the change to stabilize before adjusting again.

- The refrigerator temperature control is preset to 37 deg F (3 deg C) and the freezer control is preset to 0 deg F (-18 deg C). These are recommended temperature settings for normal use conditions.



Freezer Compartment

Push the Freezer Temp. button and the temperature setting changes in the sequence as shown below:

>>> Sequential Temperature Change <<<



Quick Chill Freezer function:

To activate freezer Quick Chill, press and hold the Freezer Temp. button for 3 seconds. Quick Chill LED will turn on. Push the button again to cancel.

The Quick Chill function is useful to help quickly chill the freezer compartment when needed. For example: If a large quantity of warm food is placed inside the freezer, or if loading the freezer with new groceries which may not be as cold as normal freezer temperatures.

Quick Chill will automatically cancel (Quick Chill LED will turn off) after 50 hours.

Refrigerator Compartment

Push the Fridge Temp. button and the temperature setting changes in the sequence as shown below:

>>> Sequential Temperature Change <<<



Quick Chill Refrigerator function:

To activate refrigerator Quick Chill, press and hold the Fridge Temp. button for 3 seconds. Quick Chill LED will turn on. Push the button again to cancel.

The Quick Chill function is useful to help quickly cool the refrigerator compartment when needed. For example: If a large quantity of warm food is placed inside the refrigerator, or if loading the refrigerator with new groceries which may not be as cold as normal refrigerator temperatures.

Quick Chill refrigerator function will automatically cancel (Quick Chill LED will turn off) after 6 hours

USING YOUR REFRIGERATOR

Control Panel



1. Freezer Temp. button

Freezer Temp.
Hold 3 sec for Quick Chill

Selection button for freezer compartment temperature.

2. Quick Ice button

Quick Ice
Hold 3 sec for Filter Reset

- 1) Press the Quick ice button once to turn on Quick Ice Mode.
Press the "Quick Ice" button one time to cancel Quick Ice feature (LED Off).
This function increases ice-making capabilities for 24 hours.
- 2) Filter Reset
When the Filter Change icon turns on, you need to change the water filter. After changing the water filter, press and hold the Quick Ice button for 3 seconds to turn the indicator light off.
You need to change the water filter approximately every 6 months.

3. Water / Ice Select

Water | **Ice Type**

Press either Water or Ice Type button according to your needs.
Press Ice Type button again according to your ice preference. (Cube/Crushed)

4. Fridge Temp. button

Fridge Temp.
Hold 3 sec for Quick Chill

Selection button for fridge compartment temperature.

5. Light button

Light
Hold 3 sec for Lock

- 1) Press to turn dispenser light on or off.
- 2) To lock the control panel: Press and hold light button for 3 seconds. Locked icon will appear.
To unlock, press and hold Light button for 3 seconds. Locked icon will disappear.

6. Symbols on the display panel

Quick Ice

Illuminates when Quick Ice function is ON.

Replace Filter

When the Filter Change icon turns on, you need to change the water filter. After changing the water filter, press and hold the Quick Ice button for three seconds to turn the indicator light off. You need to change the water filter approximately every six months.

Panel lock

Illuminates when the panel lock is on.

Ice Maker

Illuminates when the Ice maker is off

Cubed/Crushed Ice

Changes according to your ice preference (Ice Type button)

7. Temperature Mode Switch Function (°F ↔ °C)

If you want to convert °F to °C or vice versa:

- 1) Press and hold the Lock button for 3 seconds.
The lock icon will illuminate.
- 2) Press and hold Freezer Temp. and Fridge Temp. buttons at same time for 5 seconds until temperature mode changes.

NOTE: If the lock icon is illuminated after performing this function, press and hold Light button for 3 seconds to turn control lock OFF.

USING YOUR REFRIGERATOR

ICEMAKER

Turning on the icemaker

Both WRFS26D... and WRFS26S... models have a dispenser connected icemaker located on the left side of the refrigerator compartment. The WRFS26S... model also features an icemaker located on the left side of the bottom freezer compartment.

Whenever the refrigerator is plugged in after being unplugged, icemaking is automatically set to On. To turn icemaking Off or On, see the instructions in Shutting icemaking off.

For the WRFS26S... model the control panel On and Off icemaking settings apply to both icemakers at the same time.

NOTE: As long as icemaking is turned On in the control panel, if an icemaker stops production because the ice bin becomes full, production will resume operation once the ice bin is cleared of ice.

Dispenser Icemaker Alternate On/Off

The dispenser icemaker is equipped with an On/Off button in the upper left corner. You may turn the icemaker On or Off by pressing the button for 3 seconds. When turned On, the indicator light next to the button will illuminate. See detailed instructions on the label found on the side of the dispenser icemaker.

In case the icemaker doesn't work

- Did you wait for 12 hours after installation of the water supply line before making ice?
- Is the water line connected and the shut-off valve opened?
- Did you manually stop the ice making function?
- Is the freezer temperature too warm? Try setting the freezer temperature lower.

In case of power failure

In the event of a lengthy power failure, remove ice cubes in the storage bin as the ice may melt and flow down to the ice dispenser and leak out.

Place bin back in the icemaker assembly.

Shutting icemaking off Ice off

Important!

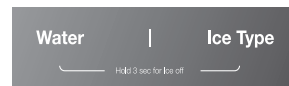
If you do not intend to use any ice cubes for longer than one week (e.g. because you are going on holiday), shut off icemaking for that period to prevent ice cubes from freezing together.

1. To turn OFF :

Press and hold Water and Ice Type buttons at same time for 3 seconds until Ice Off illuminates in the control panel display.

To turn ON :

Press and hold Water and Ice Type buttons at same time for 3 seconds until Ice Off ceases to illuminate in the control panel display.



2. Empty and clean the ice cube bin.

To remove ice bin from dispenser icemaker, grasp front of ice bin and pull forward.

To remove freezer ice bin, pull freezer drawer all the way forward and lift ice bin up and out of pullout drawer.

NOTE: There is a fingerhold indentation on the bottom front of the dispenser ice bin for ease of bin removal.

3. Return the ice cube bin into position.

NOTE: The ice bin should be emptied any time the icemaker is turned off.

USING YOUR REFRIGERATOR

ICEMAKER (continued)

⚠ CAUTION:

- The first ice and water dispensed may include particles or odor from the water supply line or the water tank.
- Throw away the first few batches of ice. This is also necessary if the refrigerator has not been used for a long time.
- Never store beverage cans or other items in the ice bin for the purpose of rapid cooling. Doing so may damage the icemaker or the containers may burst.
- If discolored ice is dispensed, check the water filter and water supply. If the problem continues, contact a service center. Do not use the ice or water until the problem is corrected.
- Keep children away from the dispenser. Children may play with or damage the controls.
- The ice passage may become blocked with frost if only crushed ice is used. Remove the frost that accumulates by removing the ice bin and clearing the passage with a rubber spatula. Dispensing cubed ice can also help prevent frost buildup.
- Never use thin crystal glass or crockery to collect ice. Such containers may chip or break resulting in glass fragments in the ice.
- Dispense ice into a glass before filling it with water or other beverages. Splashing may occur if ice is dispensed into a glass that already contains liquid.
- Never use a glass that is exceptionally narrow or deep. Ice may jam in the ice passage and refrigerator performance may be affected.
- Keep the glass at a proper distance from the ice outlet. A glass held too close to the outlet may prevent ice from dispensing.
- To avoid personal injury, keep hands out of the ice door and passage.
- Never remove the dispenser cover.
- If ice or water dispenses unexpectedly, turn off the water supply and contact a service center.

WHEN TO SET ICEMAKER TO OFF

- When the water supply will be shut off for several hours.
- When the ice bin is removed for more than one or two minutes.
- When the refrigerator will not be used for several days.

NOTE: The ice bin should be emptied any time the icemaker is turned off.

PREPARING FOR VACATION

Set the icemaker ON/OFF button to OFF and shut off the water supply to the refrigerator.

To turn OFF :

Press and hold Water and Ice Select buttons at same time for 3 seconds until Ice Off illuminates in the control panel display.

To turn ON :

Press and hold Water and Ice Select buttons at same time for 3 seconds until Ice Off ceases to illuminate in the control panel display.

NOTE: The ice bin should be emptied any time the icemaker is turned off.

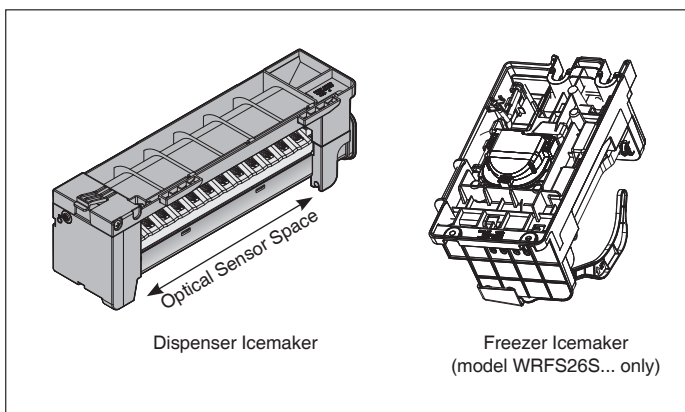
If the ambient temperature will drop below freezing, have a qualified technician drain the water supply system to prevent serious property damage due to flooding caused by ruptured water lines or connections.

USING YOUR REFRIGERATOR

How to use the Automatic Icemaker

The dispenser icemaker will produce 12 cubes per cycle. The freezer icemaker will produce 7 cubes per cycle.

- The dispenser icemaker will produce approximately 216 - 288 cubes (20 - 24 cycles a day) in a 24 hour period, depending on freezer compartment temperature, room temperature, number of door opening and other user conditions.
- The freezer icemaker will produce 50 to 70 ice cubes in a 24 hour period depending on the same conditions listed above.
- It is normal for the icemaker to make banging sounds when the ice cubes are falling into the ice storage bin
- To prevent bad odor smell, regularly clean the ice cube storage bin.
- If the amount of ice in the storage bin is not sufficient, the ice may not be dispensed. Wait a day or so to make more ice.
- If the ice does not dispense easily, ensure the dispenser outlet is not blocked.
- Throw away the first few batches of ice to allow the water line to clear. Be sure nothing interferes with the level of the optical sensor space at the dispenser icemaker base or the shutoff arm of the freezer icemaker.



Icemaking will stop when the dispenser ice bin fills to the level of the optical sensor, or when the freezer ice bin fills and pushes the shutoff arm all the way up.

Clear the bin of excessive ice. If you remove bin for clearing, return bin correctly into place. Icemaking will resume after the ice bin is cleared to below the optical sensor in the dispenser icemaker, or cleared to allow the shutoff arm to lower in the freezer icemaker.

It is normal for several ice cubes to be joined together. If ice is not used frequently, old ice cubes will become shrunken, cloudy and taste stale. If you won't use ice frequently, shut icemaking off.

USING YOUR REFRIGERATOR

REFRIGERATOR SECTION

WATER OR ICE DISPENSER

To dispense water or ice, press the Water or Ice Type button on control panel and push on the dispenser lever with the side of your glass.

NOTE: The dispenser is equipped with a light that turns on when the dispenser lever is pressed.



When Ice Select button is pressed once, cubed ice will dispense. Press Ice Select button a second time to dispense crushed ice.



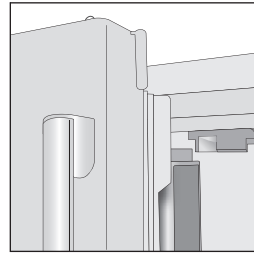
NOTE: Some ice may drop outside of cup during Ice dispensing.
Slowly remove glass from dispenser Lever before full to help prevent ice spillage.
A few uncrushed ice cubes may mix in with Crushed Ice when you dispense Crushed Ice.

⚠ WARNING: Do not put your fingers up the ice chute opening. Doing so can result in severe injury.

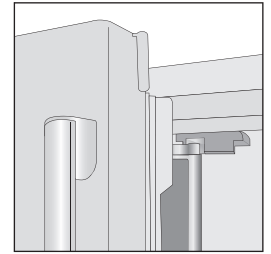
⚠ CAUTION: Do not dispense ice into fine china or crystal glasses. China or crystal can break.

Foldaway door bar (mullion bar)

- When closing the left refrigerator door, the mullion bar folds behind the right refrigerator door, forming a seal between the refrigerator doors.
- When opening the left refrigerator door, the mullion bar folds back to the left door automatically.



Opening: Mullion bar folds back



Closing: Mullion bar folds to right

- The mullion bar may become damaged upon closing if it has been extended to the right while the door left door is open.

⚠ CAUTION: Before closing the left refrigerator door, make sure the mullion bar is folded back to the left door position or product damage may result.

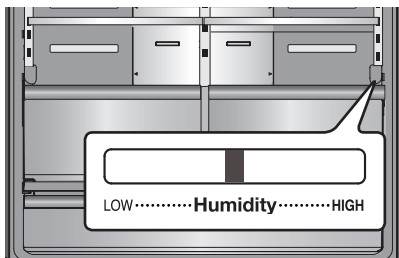
USING YOUR REFRIGERATOR

HUMIDITY CONTROLLED CRISPER

The crispers provide fresher tasting fruit and vegetables by letting you easily control humidity inside the drawer.

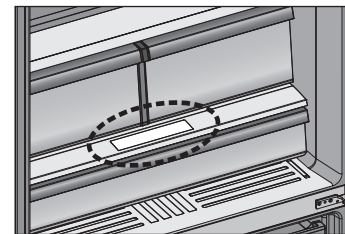
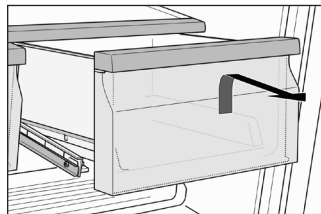
You can control the amount of humidity in the moisture sealed crispers by adjusting the control to any setting between **VEGETABLES** and **FRUIT**.

- Slide the Humidity Control toward “hi” to keep moist air in crisper for best storage of fresh, leafy vegetables.
- Slide the Humidity Control toward “lo” to release moist air from crisper for best storage of fruit.



REMOVING THE HUMIDITY CONTROLLED CRISPER

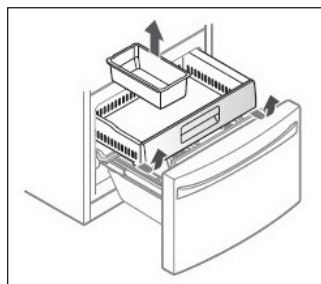
1. To remove, pull the drawer out to full extension.
2. Lift the front of the crisper up, then pull it straight out.
3. To install, slightly tilt up the front, insert the drawer into the frame and push it back into place.



FREEZER SECTION

PULLOUT FREEZER DRAWER

1. To remove, pull the freezer drawer out to full extension. Lift out the ice bin if present. Tilt the front of the pullout freezer drawer up and then lift drawer out.



⚠ CAUTION: Pinch hazard! Keep hands and feet clear of the bottom of the freezer drawer when opening and closing.

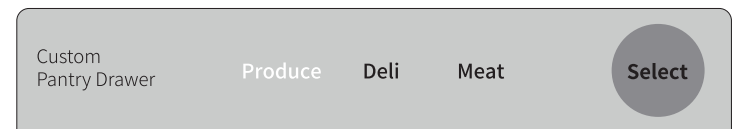
2. To replace, hold pullout freezer drawer with back angled down. Insert the back rollers over the front edge of the runners built into the sides of the freezer cabinet. Slide the drawer back and into place. Fit ice bin back into pullout freezer drawer.

⚠ WARNING: When the pullout drawer is removed, there is enough room in the lower freezer drawer for a child or pet to crawl inside. To prevent accidental child and pet entrapment or suffocation risk, **DO NOT** allow children or pets to touch or go near the lower freezer drawer.

Temperature Controlled Pantry Drawer (model WRFS26S... only)

The Temperature Controlled Pantry Drawer provides storage space with a variable temperature control that can keep the compartment colder than the refrigerator section. This drawer can be used for large party trays, deli items, and beverages. (This drawer should not be used for vegetables that require high humidity).

Press Select button to choose between Produce, Deli or Meat.



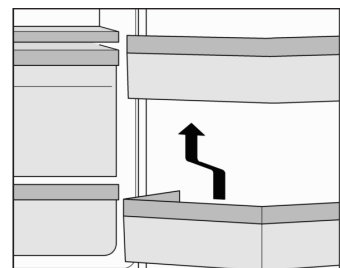
DOOR BIN

The door bins are removable for easy cleaning and adjustment.

1. To remove the bin, simply lift the bin up and pull straight out.
2. To replace the bin, slide it in above the desired support and push down until it snaps into place.

NOTE: Some bins may vary in appearance and will only fit in one location.

⚠ CAUTION: Do not overfill or pack items too tightly into door bins. Doing so may cause damage to the bin or personal injury if items are removed with excessive force.



CONNECTING THE WATER LINE

BEFORE YOU BEGIN

This water line installation is not covered by the refrigerator warranty. Follow these instructions carefully to minimize the risk of expensive water damage.

Water hammer (water banging in the pipes) in house plumbing can cause damage to refrigerator parts and can lead to water leakage or flooding. Call a qualified plumber to correct water hammer.

⚠ CAUTION: To prevent burns and product damage, only connect the refrigerator water line to a cold water supply.

IMPORTANT: If you use your refrigerator before connecting the water line, make sure the icemaker is turned OFF at the control panel.

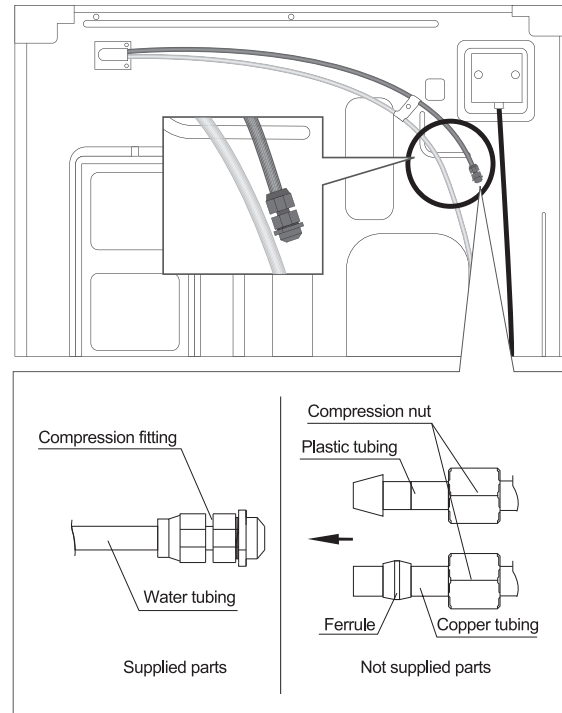
⚠ CAUTION: Do not install the icemaker tubing in areas where temperatures fall below freezing.

WATER PRESSURE

The water pressure must be from 30 to 125 psi or 207-862 kPa or 2.1-8.8 kgf/cm². If the refrigerator is installed in an area with low water pressure “below 30 psi”, you can install a booster pump to compensate for the low pressure.

WATER SUPPLY KIT

* Connecting the water line to the refrigerator.



(Necessary parts are available at local service agents.)

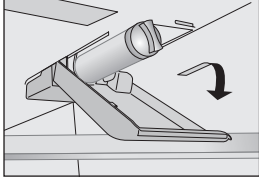
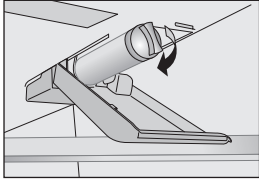
1. Connect water line to the compression fitting.
 - If you are using copper tubing (not supplied), slip the compression nut (not supplied) and ferrule (not supplied) on copper tubing.
 - If you are using plastic tubing (not supplied), insert the molded ending of the plastic tubing into the compression fitting.
2. Tighten the compression nut onto the compression fitting.
3. Turn the water on and check for any leakage.

⚠ WARNING

To reduce the risk associated with ingestion of contaminants: Do not use with water that is microbiologically unsafe or of unknown quality without adequate disinfection before and after the system. Systems certified for cyst reduction may be used on disinfected water that may contain filterable cysts. EPA Establishment Number 10350-MN-005

WATER FILTER

Installation

1. Turn of the water supply to the refrigerator. Dispense water for 3 seconds to prevent water drops from falling while installing filter.
2. The water filter is located in the top of the refrigerator compartment. Pull the water filter cover toward you and down.
3. Remove the locking cap by turning 1/2 counterclockwise. Save locking cap for possible future use. Always install locking cap if no filter is in place.
4. Insert water filter and rotate clockwise 1/2 turn to secure in place. Raise the water filter cover and slide back into place.
5. Dispense water over the course of 5 minutes in cycles of 30 seconds ON and 60 seconds OFF. Do not dispense water continuously for 5 minutes.

⚠ CAUTION: Wipe with cloth if droplets fall when exchanging a filter.

Information concerning the water filter

- After use, the water system is subject to low pressure. Proceed with caution when removing the filter. Dispense water 1-3 seconds before water filter change to prevent water drops from falling.
- Flush the water system if the appliance has not been in use for a long period of time, or if the ice/water has an unpleasant taste or smell. To do this, dispense water through the water dispenser for several minutes. If the unpleasant taste or smell remains, replace the filter.
- To protect from frost, remove the filter cartridge if you expect the temperature to drop below freezing.
- If pressure surges could occur in the water pipe, do not install the water filter without a suitable surge eliminator. Contact an installation expert if you are not sure whether pressure surges could occur in the water pipe.
- After installing a new filter : Discard any ice produced in the first 24 hours after switching on.
- If no ice has been removed for a long period of time, empty the ice cube bin and discard any ice produced over the next 24 hours.

⚠ WARNING

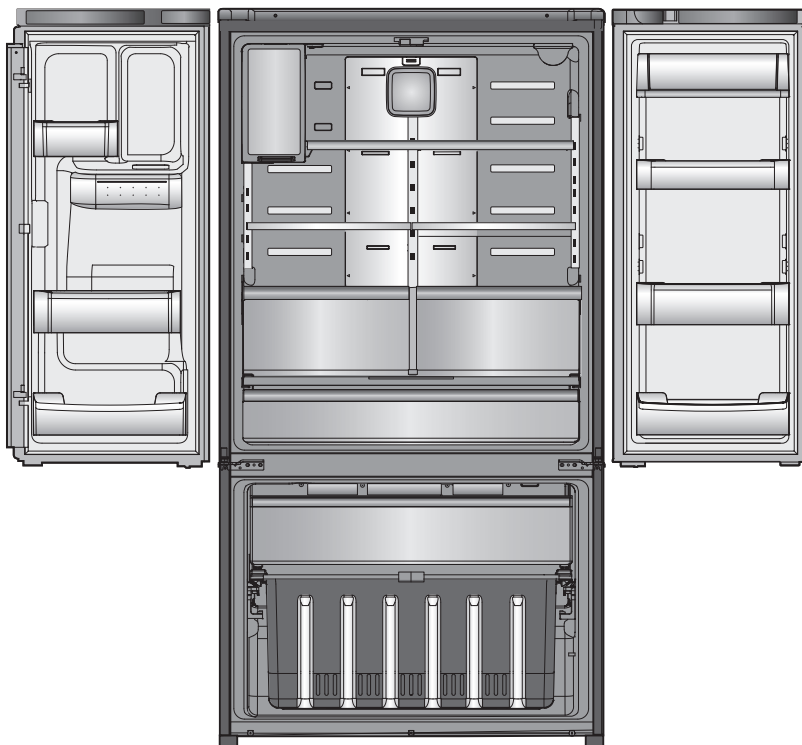
To reduce the risk associated with ingestion of contaminants: Do not use with water that is microbiologically unsafe or of unknown quality without adequate disinfection before and after the system. Systems certified for cyst reduction may be used on disinfected water that may contain filterable cysts. EPA Establishment Number 10350-MN-005

⚠ CAUTION

To reduce the risk associated with property damage due to water leakage:

- **Read and follow** the Water Filter instructions before installation and use of this system.
- Installation and use **MUST** comply with all state and local plumbing codes.
- **Do not** install if water pressure exceeds 125 psi (862 kPa). Contact a plumbing professional if you are uncertain of how to check your water pressure.
- **Do not** install where water hammer conditions may occur. If water hammer conditions exist, you must install a water hammer arrester. Contact a plumbing professional if you are uncertain of how to check for this condition.
- **Do not** install on hot water supply lines. The maximum operating water temperature of this water filter system is 100°F (38°C).
- **Protect water filter from freezing.** Do not operate refrigerator in ambient conditions below 55°F (12.7°C). Drain water filter when storing unit in temperatures below 40°F (4.4°C).
- The disposable water filter must be replaced every six months, at the rated capacity, or if a noticeable reduction in flow rate occurs.

CARE AND CLEANING

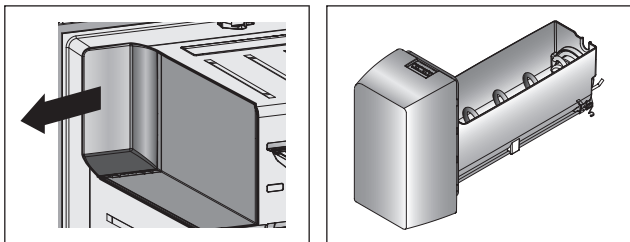


1. Water Dispenser

- Clean the water collecting tray with a sponge or absorbent cloth.

2. Ice Storage Bin

- Removing: Pull out and remove the ice cube bin
- Cleaning: Empty the ice cube bin and clean with lukewarm water. Thoroughly dry the bin and screw conveyor to prevent new ice cubes from sticking.
- Replacing: Push the ice cube bin all the way back onto the supports until it locks into position. If the bin cannot be pushed all the way back, rotate the ice auger a quarter turn and insert again.

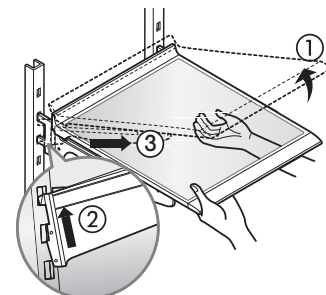


3. Freezer & Refrigerator Bins

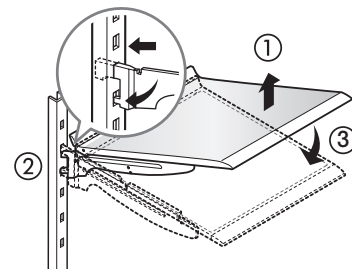
- Hold both ends and pull up.

4. Refrigerator Shelves

To remove a shelf: Lift up on front of shelf with one hand and with other hand push up on back of shelf to release attachment hooks from attachment slots. Pull the shelf out.



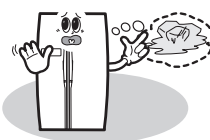
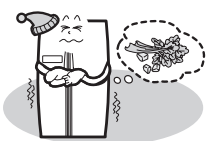
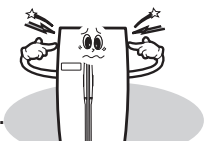

To reinstall a shelf: With front of shelf angled slightly up, engage hooks on back of shelf into attachment slots, and then lower front of shelf into place.




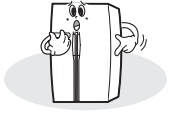



⚠ CAUTION: Make sure that shelves are level from one side to the other. Failure to do so may result in the shelf falling or spilling food.

TROUBLESHOOTING GUIDE

Please check the following troubleshooting tips before you call for service!

Problem	Checkup Point	Action
<p>It never gets cold inside. Freezing & refrigerating is not so good.</p> 	<ol style="list-style-type: none"> ❶ Is the refrigerator unplugged? ❷ Is the temperature set to [Low Mode]? ❸ Is the refrigerator under direct sunlight or is a heat appliance placed near it? ❹ Is the space between the refrigerator back and the wall too close? 	<ol style="list-style-type: none"> ❶ Plug in the refrigerator. ❷ Set the temperature mode to Middle or High. ❸ Move to a place where there is no direct sunlight, no heat appliances around. ❹ Keep sufficient space (more than 2inches) between the back of the refrigerator and the wall.
<p>Foods in the refrigerator get frozen.</p> 	<ol style="list-style-type: none"> ❶ Is temperature set to [High]? ❷ Is the room temperature too low? ❸ Is food with moisture stored close to the cold air spout? 	<ol style="list-style-type: none"> ❶ Set the temperature to [Middle] or [Low]. ❷ Food can be frozen if ambient temperature is below 5°C. Move to a place where the temperature is over 5°C. ❸ Place food with moisture on the shelves close to the doors.
<p>Strange sounds from the refrigerator.</p> 	<ol style="list-style-type: none"> ❶ Is the floor beneath the refrigerator uneven? ❷ Is the space between refrigerator back and the wall too close? ❸ Do any objects or other stuff touch the refrigerator? 	<ol style="list-style-type: none"> ❶ Move the refrigerator to a level and even floor. ❷ Keep sufficient space. ❸ Remove any object which touches the refrigerator.
<p>Odour or unpleasant smell from the inside.</p> 	<ol style="list-style-type: none"> ❶ Is the food stored uncovered or unwrapped? ❷ Are the shelves and pockets stained with food stuff? ❸ Is the food stored too long? 	<ol style="list-style-type: none"> ❶ Be sure to cover and wrap the food. ❷ Clean them regularly. Once smell gets soaked into those parts, it is not easy to remove. ❸ Do not store food for too long. A refrigerator is neither a perfect nor a permanent food keeper.

TROUBLESHOOTING GUIDE

	Case	Explanation
Heat	<p>Front and side of refrigerator feels warm or hot.</p> 	<ul style="list-style-type: none"> • Pipes (refrigerant vessel) are placed beneath the Heat surface to prevent moisture forming on it.
Heat	<p>Doors do not open easily.</p> 	<ul style="list-style-type: none"> • When you close the door and then open again immediately, the door is not easy to open because warm air rushes in and creates the pressure difference. In this case wait for a minute, then it will open easily.
Heat	<p>It sounds like water is flowing from the refrigerator.</p> 	<ul style="list-style-type: none"> • When the compressor starts to run or stop, refrigerant which makes the inside cold flowing in the pipes can make such a sound. • Defrosted water can also make such a sound. (This refrigerator adopts an automatic defrosting system.)
	<p>Cracking or clicking sounds.</p> 	<ul style="list-style-type: none"> • Inside parts shrink and/or expand due to temperature change --- When the inside gets cold or when the door is open, such sounds can be made.
	<p>Humming or buzzing sounds.</p>	<ul style="list-style-type: none"> • Compressor or fans for cold air circulation can make such working sound. (If the refrigerator is not level, the sound can be louder.)
Frost & Dew	<p>Dew or frost on the wall and/or food container surface in the freezer and refrigerator compartment.</p> 	<p>Frost and/or dew can be made in the following cases;</p> <ul style="list-style-type: none"> • High temperature and/or high humidity around the refrigerator. • When doors are open too long. • Food with much moisture are stored uncovered or unwrapped. • You can see the same appearance when cold water is poured in a glass cup and dew is forming on the surface of it.
	<p>Dew on the cabinet surface.</p>	<ul style="list-style-type: none"> • If it is highly humid around the refrigerator, moisture in the air sticks to the surface to form dew.

WINIA REFRIGERATOR WARRANTY

WINIA ELECTRONICS AMERICA INC. (hereby "WINIA") warrants the following:

1-YEAR WARRANTY ON COMPRESSOR AND PARTS. For one year from the date printed on the proof of purchase, when the Refrigerator (hereby "product(s)"), is installed, operated, and maintained according to instructions attached to or furnished with the product, WINIA warrants to replace and/or repair parts to correct defects in materials and workmanship. To receive the warranty service, the unit must be delivered by the consumer to our factory or authorized service facilities. A receipt or a bill of sales is mandatory for proof of purchase.

1-YEAR WARRANTY ON LABOR. Warranty terms for labor costs hold the same as above.

OUT OF BOX FAILURES (hereby "OOBF") are limited to products that are inoperative or originally defective upon receipt from WINIA. OOBF units may be returned to the factory by the dealer for an exchange. Under no circumstances will a consumer be permitted to return defective units directly to the factory. Exchanges must be directly with the dealer. Proof of purchase with the printed date of purchase is mandatory.

THIS WARRANTY DOES NOT extend but is not limited to ¹⁾ other electronic appliances, ²⁾ commercial usage, ³⁾ units subjected misuse, neglect, accident, improper installation, fire, flood, or acts of God, ⁴⁾ transportation costs, ⁵⁾ unauthorized modification, violation of instructions, unauthorized repair, or alteration outside of the factory or any of our authorized facilities, ⁶⁾ units with altered, defaced, or removed serial numbers, ⁷⁾ satisfactory quality, of fitness for a particular purpose, of accuracy, or ⁸⁾ sales or products outside of the 50 United States.

No oral or written information or advice given by WINIA or its authorized representative shall create or overwrite this warranty. Should the product prove defective after the warranty, consumer accepts the product "as is", and assumes the entire cost of all necessary servicing, repair, or correction.

If you have questions, please refer to "**Troubleshooting**" section of this book. For further service and assistance, please call **Technical Support at 1-877-393-2727** or **Customer Service at 1-877-393-7823** (toll-free).

Keep this book with your proof of purchase for future reference. You must provide a proof of purchase or proof of installation for in-warranty service. Write down the following information about your refrigerator for your convenience. You can find the model and serial number label located on the inside top left corner of your refrigerator.

Dealer name _____
Address _____
Phone number _____
Model number _____
Serial number _____
Purchase date _____

* This warranty covers models (excluding the water filter): WT*18, WT*21