



Product: 24 Inch Microwave Drawer in Stainless Steel

Model Number: TMD2401

UPC #: 850018999670

TECHNICAL DETAILS

Configuration	M/O Drawer
Color	Stainless Steel
Capacity	1.2 cu. ft.
Wattage (Watts)	950W CUL
Light, Number, and Type	Incandescent
Cavity	Painted
Microwave Drawer Open	Auto Open Button/Hand Assist
Timer/Clock	Yes
Start/Add-A-Minute	Yes
Steup/Help	Yes
Control Lock	Yes
Audible Signal Elimination	Yes
Open	Yes
Close	Yes



CONTROL PANEL DETAILS

Location	Center/Top
Controls	Membrane
Display Type	LCD
Display Style	Segment (7)/Dot Matrix
Color (Front/Background)	White on Black

FEATURES & BENEFITS

- + Drawer Design** - The 24-inch Microwave Drawer is flexible to your kitchen design and can be placed below an island, peninsula, or standard cabinetry or can also be installed adjacent to your wall oven.
- + 12 Unique Sensor Functions** - 12 unique easy-to-use food prep functions include everyday functions like defrost and a beverage center as well as luxury features such as two popcorn settings, melting chocolate, and softening ice cream. Use the "add a minute" feature to top off the perfect cook.
- + Multiple Power Modes** - Offers 10 power modes for precision heating, from a delicate power mode for melting chocolate to cranking up the power and using 950-watts for cooking and defrosting your favorite foods. The control is at your fingertips.
- + Auto Touch Open/Close Control** - Allows you to easily open and close the microwave drawer at the touch of a button. And if you have your hands full, like that microwave chef that you are, just tap it with your hip and the drawer will close automatically.
- + Spacious Capacity** - 1.2 cu.ft. capacity can accommodate a variety of different container shapes and sizes.
- + Keep Warm Function** - Delivers brief pulses of microwave power to keep your cooked foods warm without overcooking until they're ready to be served.
- + Sleek Design** - Stainless steel flush to cabinet design features a white touch LCD display that's easy to operate and easy to clean.



ADDITIONAL FEATURES

Program Stages	4
Demo Mode	Yes
Distribution Method	Antenna - Top
Exhaust Louver	Concealed Bottom Louver
Installation	Standard Mount Only

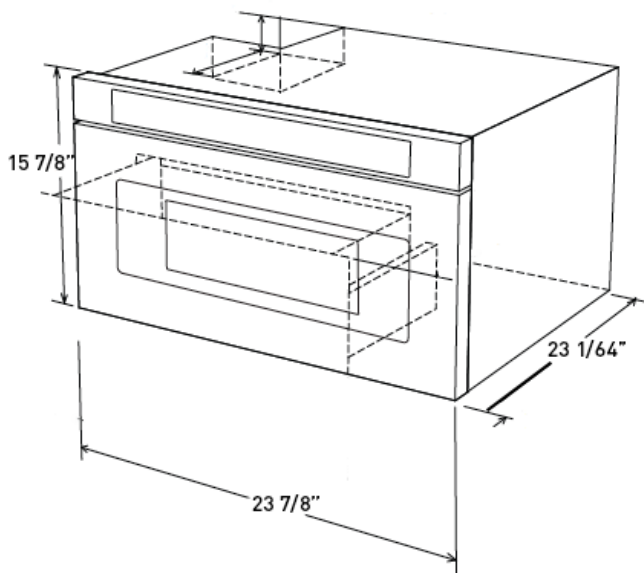
WARRANTY: 24 MONTHS ON PARTS AND LABOR





PRODUCT DIMENSIONS & WEIGHT

Cavity Dimensions	17 5/16"W x 7 1/8"H x 16 9/16"D
Outside Dimensions	23 7/8"W x 15 7/8"H x 23 1/64"D
Cutout Dimensions	22 1/8"W x 15 9/16"H x 23 1/2"D
Product Weight	74 lb.
Shipping Weight	86 lb.



SEE MANUAL FOR DETAILS

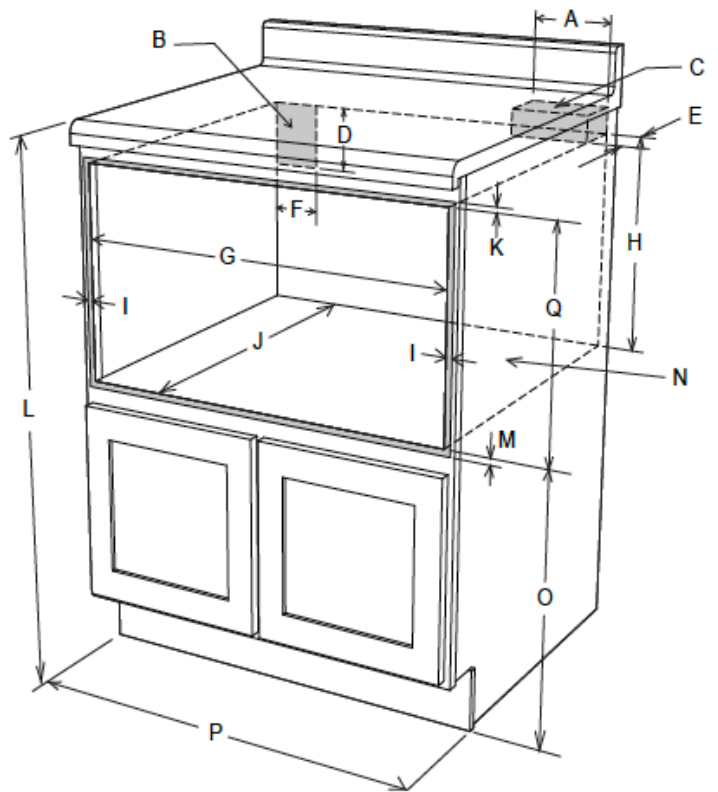


FIGURE 1

SEE MANUAL FOR DETAILS