



HUSH SYSTEM



SEAMLESS LOOK



GREASE COLLECTORS



PROFESSIONAL PERFORMANCE

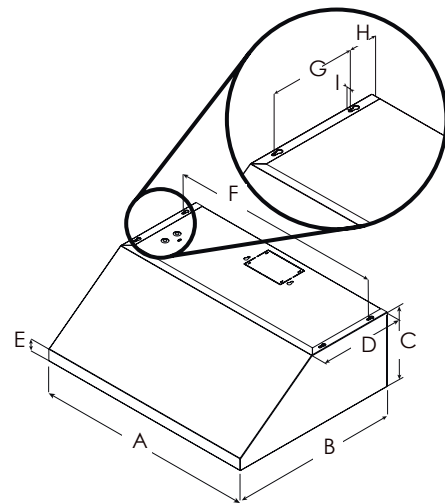


HEAT GUARD

EXCLUSIVE PLUS FEATURES

Available in 30" and 36" widths and only 11 1/32" high. This model features professional styling, seamless welded corner craftsmanship, a powerful 600 CFM blower with high airflow, heavy duty stainless steel baffle grease filters, Replaceable LED lighting, plus backlit hidden metallic in/out knobs for convenience and safety.

It also delivers higher efficiency and easy maintenance for a cleaner kitchen.



MOUNTING HEIGHT RANGE

$\geq 24''$

$\geq 30''$






	PUCCM630SS	PUCCM636SS
A	30" (76 cm)	36" (91.54 cm)
B	23" (58.4 cm)	
C	11 1/32" (27.9 cm)	
D	11 1/16" (29.7 cm)	
E	2 19/32" (6.6 cm)	
F	29" (73.3 cm)	35" (88.9 cm)
G	7 1/2" (19 cm)	
H	2 9/16" (6.5 cm)	
I	3/8" (1 cm)	



## SPECIFICATIONS

Width:	30" Unit	36" Unit
Model:	PUCCM630SS	PUCCM636SS
Dimensions:	30"W x 23"D x 11 1/32"H	36"W x 23"D x 11 1/32"H
Blower Type(internal):	600 CFM (4 -speed)	
Blower Performance:**	Min: 177 , Max: 600 CFM	
Power (CFM):	Min: 2, Max: 7.0	
Noise (sones):	Electronic CFM reduction KIT included	
CFM Reduction:	Stainless Steel	
Finish:	Fully retractable rotating knobs with white backlighting	
Controls:	2 LED, 7.5 W 3000 Kelvin 540 lumens/lamp	
Illumination:	Professional stainless steel baffle (2)	
Grease Filter:	Rectangular 3" 1/4 x 10" (top and rear)	
Duct Transition:	Ducted Installation Only	
Installation Type:	120V - 60 Hz, 457 Watts	
Electrical:		
KITS:		
Long Chimney Extension Kit 6":	ACC02159	ACC02158
Long Chimney Extension Kit 12":	ACC02160	ACC02161
Back Splash Kit:	ACC0142864	ACC0142867
WARRANTY:	One (1) year parts & in-home labor	

## PLUS FEATURES

- 
**HUSH SYSTEM** - An exclusive sound deadening technology that effectively reduces sound levels by over 35%
- 
**STAINLESS STEEL BAFFLE FILTERS WITH GREASE COLLECTORS** - Designed for high airflow cooking, the "S" shape design traps high volumes of grease
- 
**SEAMLESS CRAFTSMANSHIP** - Heavy gauge stainless steel "Seamless" construction that delivers refined elegance.
- 
**PROFESSIONAL PERFORMANCE** - Special features and high performances for models with aspiration capacity between 600 and 1200 CFM's
- 
**HEAT GUARD** - Senses extreme temperatures (>158 degrees) and automatically adjusts the blower speed to HIGH

HVI Certified Ratings	High Speed	Working Speed	Duct Size
CFM Sones	430 11	160 2	3.25 x 10" (Horizontal)
CFM Sones	442 11	177 2	3.25 x 10" (Vertical)

\* The product images shown are for illustration purposes only and may not be an exact representation of the product.

\*\* Blower performance indicates the performance of the blower by itself. Performance claims are not HVI certified but were established in accordance with HVI Standardized test procedure. For Certified Ratings, please refer to HVI Certified Product Directory. Electric Ratings are declared according to UL.