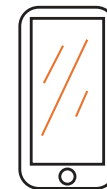


Assembly instructions for:
The Mirror



Scan Code for
Video Tutorial

 **WATCH NOW**



*Life doesn't come with
instructions, but this does*

Part # 10020307 (09/27/22)

HEADS UP

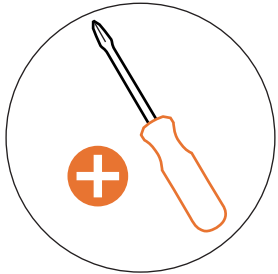


| TIME

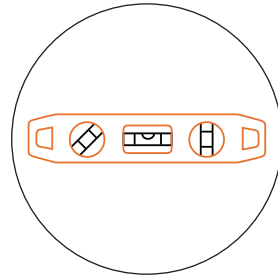


| EFFORT SCALE
(you've got this)

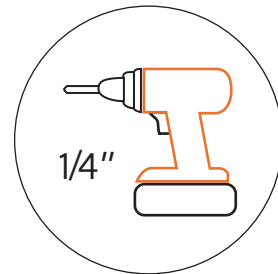
BUST OUT



| REQUIRED TOOL



| RECOMMENDED
TOOL

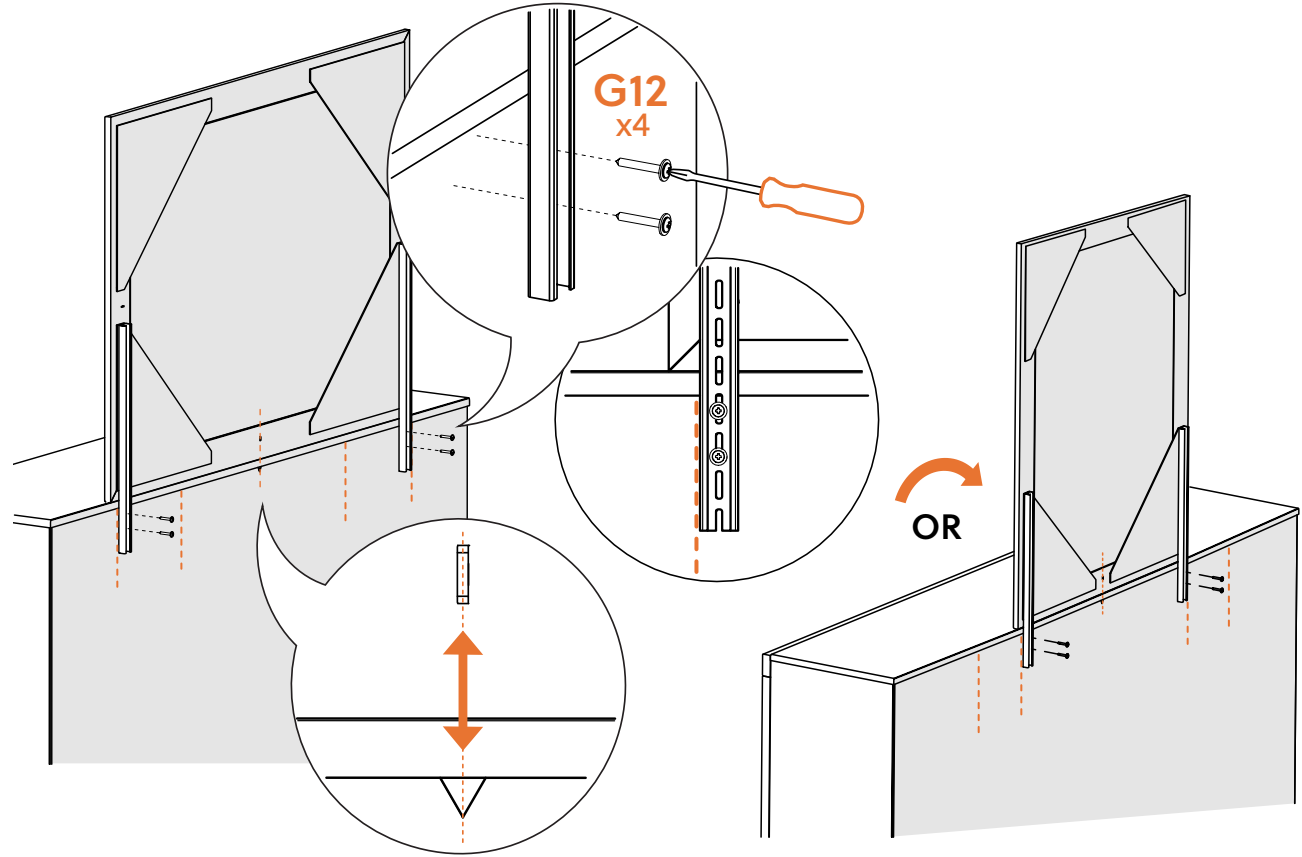
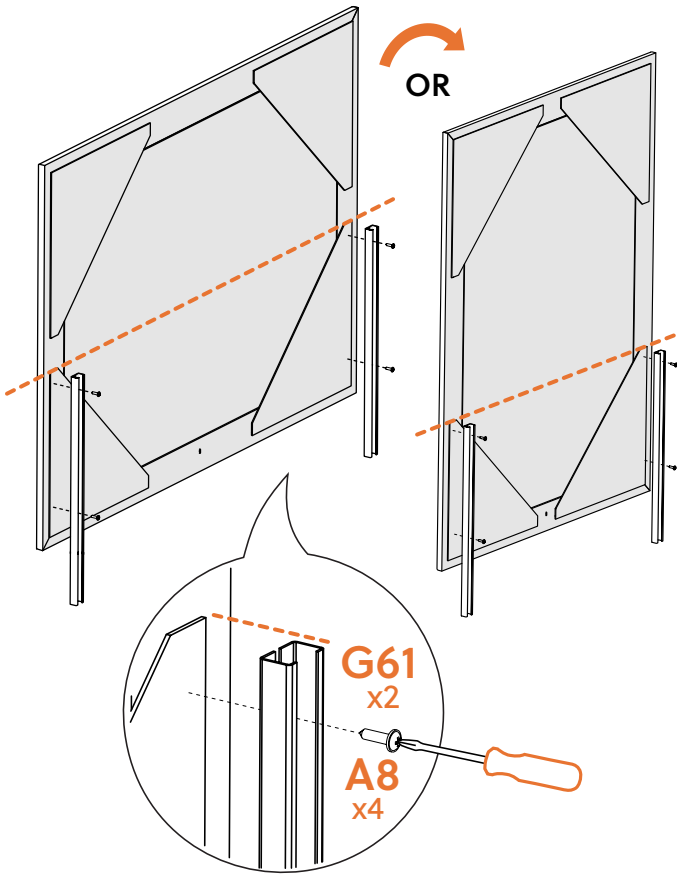
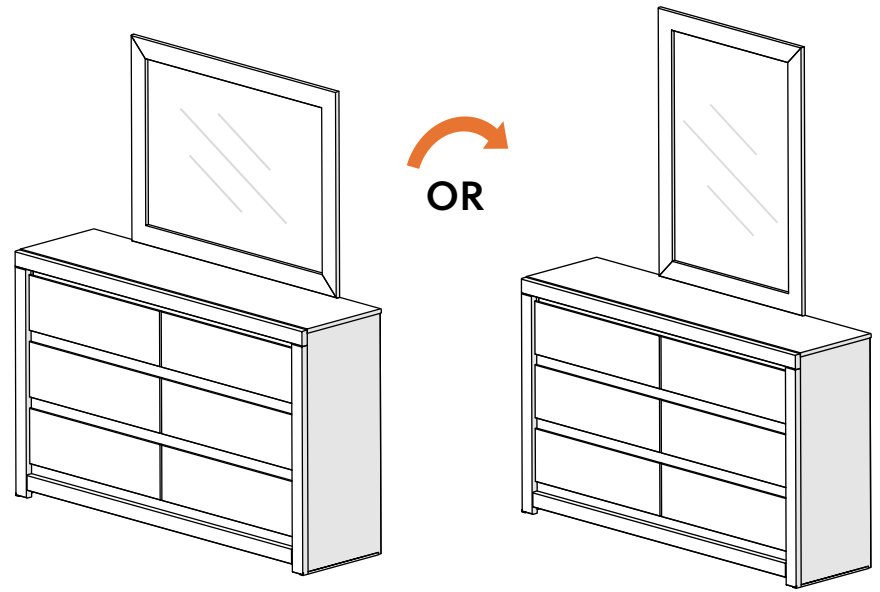


| RECOMMENDED
TOOL

HARDWARE



1 | OPTION ONE: DRESSER MOUNT



2 | OPTION TWO: WALL MOUNT

