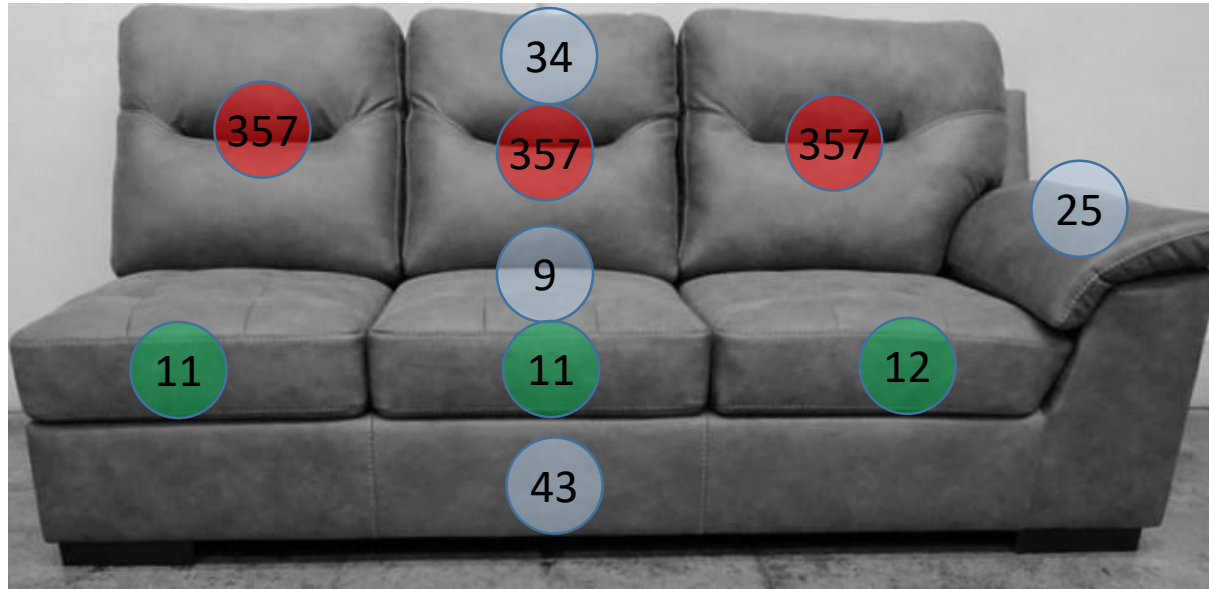
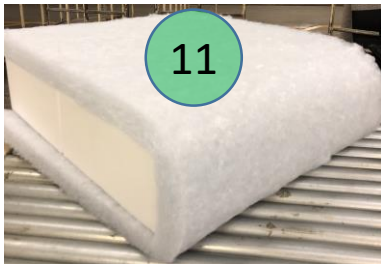


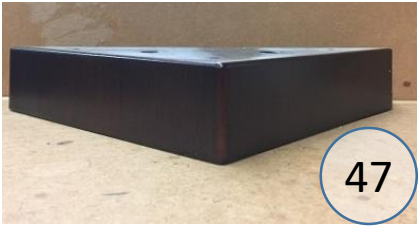
620-02-03-67



Call Out	Description
● (Red)	Blown Fiber
● (Yellow)	Cushion Chaise Pad - top Pad
● (Green)	Cushion Foam
● (Yellow)	KD Component
● (Blue)	Cover

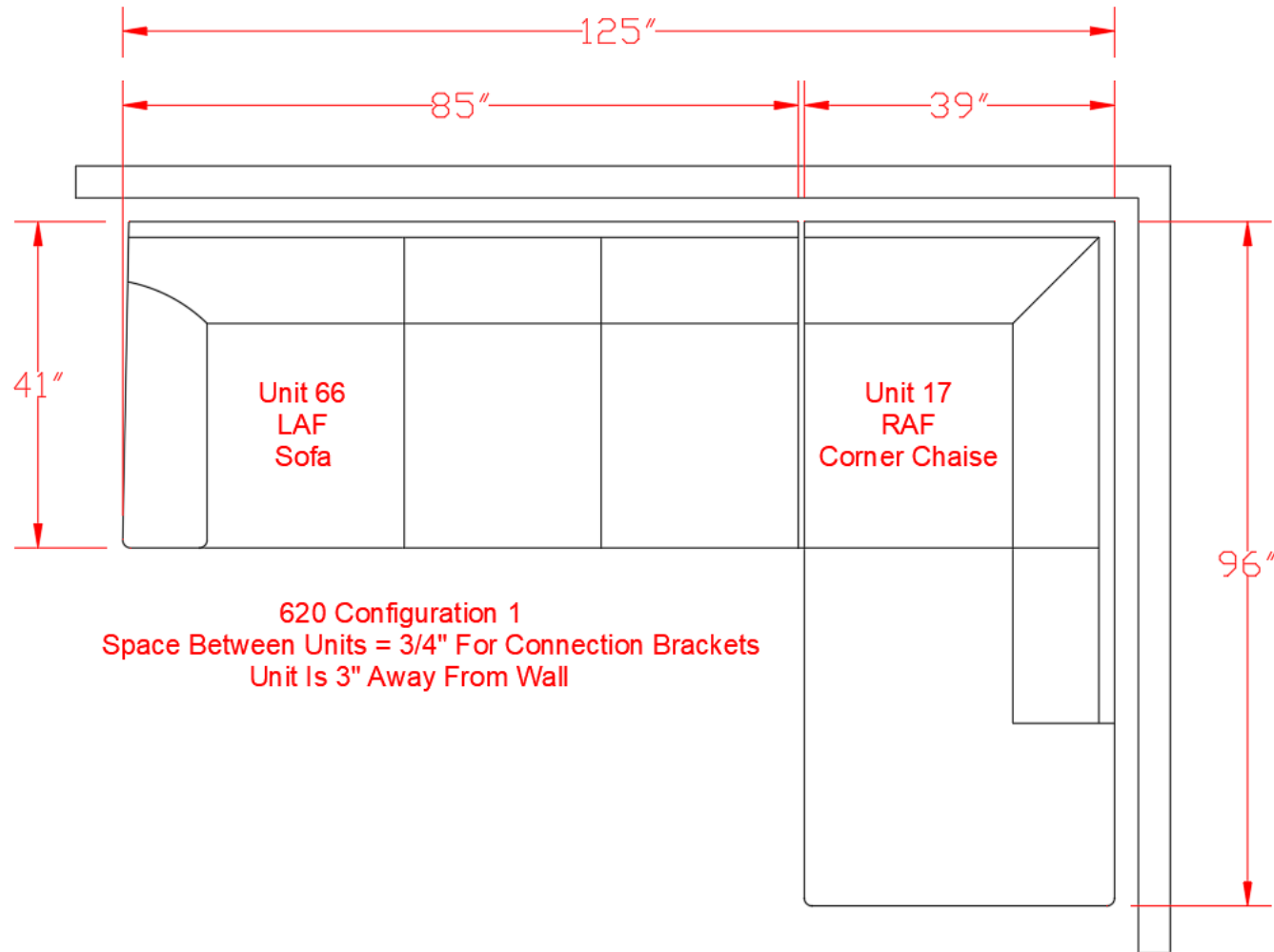


Signature
DESIGN
BY **ASHLEY**®



Signature
DESIGN
BY **ASHLEY**®

**620 SECTIONAL
DIMENSIONS
2 PIECE
CONFIGURATION**



**620 SECTIONAL
DIMENSIONS
2 PIECE
CONFIGURATION**

