



SPEED QUEEN® ON-PREMISES LAUNDRY SOLUTIONS

Top Load Washer

LWNE22SP115TW01, LWN432SP115TW01, SWNMN2SP115TW01

Top Load Washers

Our top load washers are constructed from heavy-duty components to ensure an extended life in your laundry operation, including a stainless steel washtub, all-metal transmission and a commercial-grade cabinet finish. Compliant with the current U.S. Department of Energy water and energy standards for commercial washers, your laundry will realize significant savings in water and energy costs.

- Extra large capacity stainless steel tub ensures long-lasting, dependable performance.
- Advanced suspension system eliminates the possibility of an unbalanced load.
- Curved four-vane agitator delivers an industry-best 210° wash stroke that produces unparalleled cleaning results.



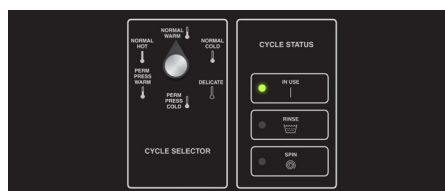
Electronic Homestyle Control

The Electronic Homestyle control is durable and easy to operate with intuitive selection buttons. It features a time-remaining display, six preset cycle buttons, cycle adjustability, along with additional cycle enhancer options for a pre-wash or second rinse cycle.



Mechanical Homestyle Control

Speed Queen® washers with Mechanical Homestyle controls are designed for durability and are easy to operate with a multi-cycle timer knob and extra rinse switch.



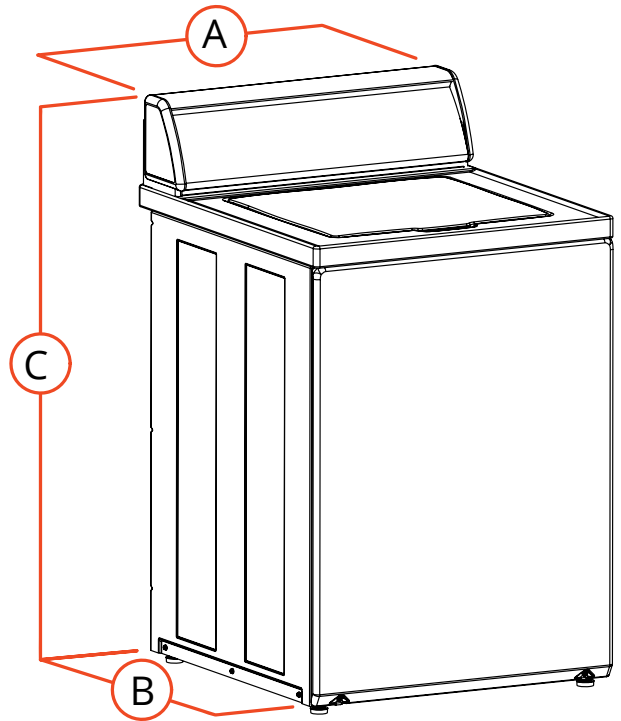
E-Mech Control

The E-Mech control features a straightforward design that offers users simple water temperature and fabric selections, and uses cue lights to monitor progress through the wash cycle.



Top Load Washer

Specifications		
Model/ Control Option	Electronic Homestyle (EH)	LWNE22SP115TW01
	Mechanical Homestyle (MH)	LWN432SP115TW01
	E-Mech (EM)	SWNMN2SP115TW01
Control Location		Rear
Capacity - lb (kg)	EH/MH	16 (7.3)
	EM	14 (6.4)
Cylinder Volume - cu. ft. (liters)	EH/MH	3.22 (91.2)
	EM	3.26 (92.3)
Overall Width - in (mm)		25.63 (651)
Overall Depth - in (mm)		28 (711)
Overall Height - in (mm)	EH/MH	43 (1092)
	EM	41.25 (1048)
Motor Power Consumption - hp (kw)		0.5 (0.37)
Water Consumption Per Cycle - g (l)	EH	27.9 (106)
	MH	27.9 (106)
	EM	28.07 (106)
IWF (Water Factor)	EH	8.8
	MH	8.8
	EM	8.8
MEF ₂ (Modified Energy Factor)	EH/MH	1.35
	EM	1.35
Available Water Temperatures		3
*Available Cycles		Heavy Duty, Normal Eco, Perm Press, Delicate, Rinse & Spin, Spin Only
Water Pressure -PSI (Bar)		20-120 (1.4/8.3)
*Cycle Indicator Lights		Yes
Cylinder Finish		Stainless Steel
Available Colors		White
Available Electrical Requirements - Voltage/Hz/Ph - Circuit Amperage		120/60/1 -15
Shipping Dimensions Approx. - in (mm)	Width	28 (711)
	Depth	30 (762)
	Height	45 (1143)
Net Weight - lb (kg)	EH/MH	186 (84)
	EM	206 (93)
Shipping Weight - lb (kg)	EH/MH	196 (89)
	EM	218 (99)
Agency Approvals		cULus



A. Overall Width - in (mm)		25.63 (651)
B. Overall Depth - in (mm)		28 (711)
C. Overall Height - in (mm)	EH/MH	43 (1092)
	EM	41.25 (1048)

Note: Not all options are available for all models. Refer to the price list for the available models and options.

* Information shown applies to highest end control available.

For the most accurate information, the installation guide should be used for all design and construction purposes. Due to continuous product improvements, design and specifications subject to change without notice. The quality management systems at Alliance Laundry Systems are registered to ISO 9001.