

SLDF30542SS



30" Slide-In Dual Fuel Range



GENERAL PROPERTIES

Type	Freestanding / Slide-In
Size	30"
Finish	Stainless Steel
Oven Control Type	Electronic Controls with Multi-Color LED Display
Cooktop Control Type	Metal Knobs
Control Key Lock	Yes
Drawer Type	Baking (200-520°F)
Exterior Side Walls	Black
Fuel Type	Natural Gas + Electric

OVEN FEATURES & FUNCTIONS

Capacity	5.7 cu. ft. (Main Oven) + 1 cu. ft. (Baking Drawer)
Convection Type	True European Convection
Functions	12

PREMIUM TECHNOLOGY



LARGER OVEN CAPACITY

For the cook who enjoys some extra elbow room, Beko's 30" range interiors are among the most spacious in their class. With an industry-leading 5.7 cu. ft. interior volume, you'll have more than enough room for the caramelized vegetables and tender roast at your next dinner party.



FULL EXTENSION TELESCOPIC RACK*

The rack fully extends on heavy duty rails so you can safely access even the heaviest dishes with ease, without reaching into the oven.



INTERIOR HALOGEN LIGHTING

Elegant dual halogen lights make it easy to see what's cooking in Beko's bright oven interior.

*Can be used only in the lowest rack position

SLDF30542SS



30" Slide-In Dual Fuel Range

OVEN FEATURES & FUNCTIONS CONTINUED

Cooking Functions	Bake, Broil, Roast, Convection Bake, Convection Broil, Convection Roast, Pizza Cooking, Sabbath Mode, Warm Keep, Bread Proof, Prime Turkey, Self Clean, Baking Drawer
Pyrolytic Self-Cleaning	Yes
Sabbath Mode	Yes
Door Cooling System	4 Pane Heat-Resistant Glass (Fixed)
Cooling Fan	Yes
Interior Illumination	2 x Halogen Lights
Full Extension Telescopic Rack	1 (Lowest Position)
Standard Oven Racks	3
Stay-in Self Clean Racks	Yes
Rack Positions	6
12-24 hour Clock Format	Yes
Preheat Indicator (Audible Signal)	Yes

COOKTOP – FEATURES & PERFORMANCE

Burner Configuration	5 Burners
Front Left	12,500 BTU
Rear Left	8,000 BTU
Center	10,000 BTU Oval
Front Right	16,000 BTU Dual Ring
Rear Right	8,000 BTU
Simmer Function	Yes
Grates	Cast Iron*
Electric Ignition with Auto Reignition	Yes

TECHNICAL INFORMATION

Volts / Frequency	220-240 V, 60 Hz
Min. Amps (A)	40 A
Power Cord	Required, Purchase Separately

DIMENSIONS & WEIGHT

Product (H x W x D) (in)	37 1/2 - 38 1/4 x 29 13/16 x 28 5/8
Depth (Incl. Handle) (in)	28 5/8
Depth (w/o Handle) (in)	26
Adjustable Leveling Feet	Yes
Required Cutout Size (H x W x D) (in)	36 x 30 x 25
Carton (H x W x D) (in)	32 3/4 x 45 3/8 x 27 9/16
Product Weight (lbs)	297.62
Shipping Weight (lbs)	354.94

ACCESSORIES (INCLUDED)

LP Conversion Kit	Yes
Cast Iron Wok Ring Attachment	Yes
Meat Probe	Yes
Island Trim	Yes
Anti-Tip Bracket	Yes

ACCESSORIES (OPTIONAL / NOT INCLUDED)

Side Trim Kit, Stainless Steel	OW3001
Side Trim Kit, Black	OW3002
Backguard	BG3003
Griddle	G3001

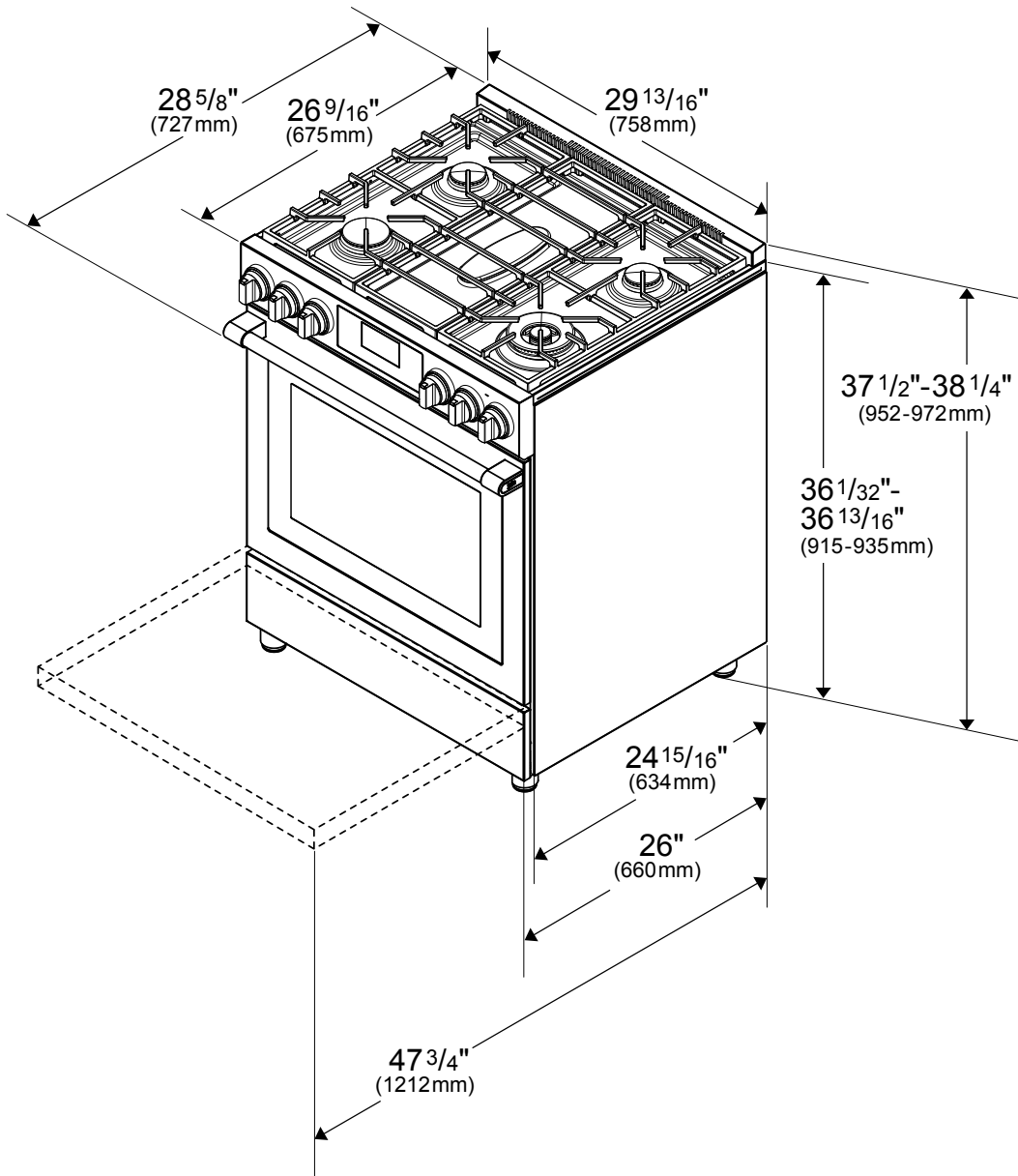
WARRANTY

Entire Appliance	2-Year Full Warranty
------------------	----------------------

*Hand wash only; grates are not dishwasher-safe

SLDF30542SS

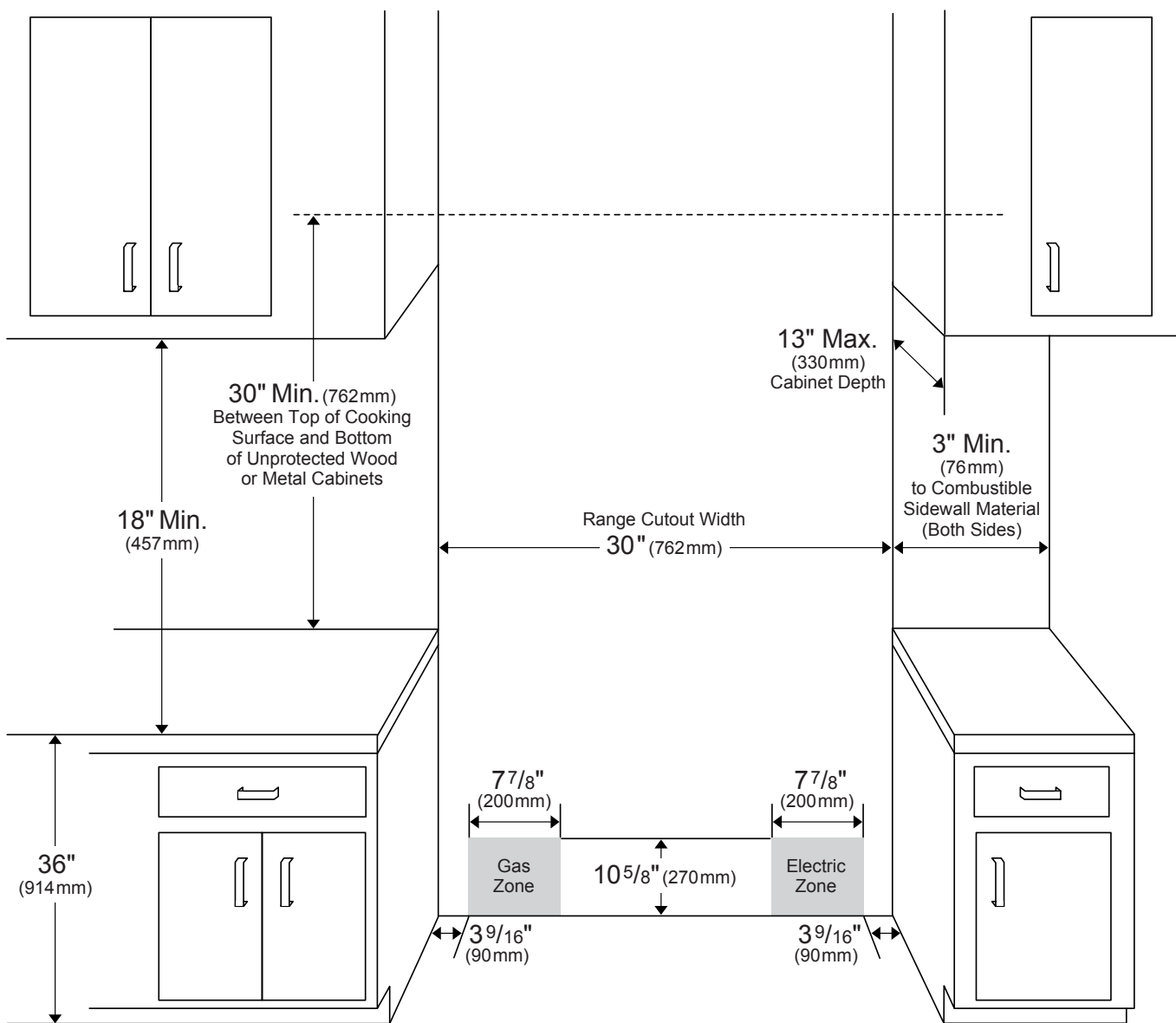
30" Slide-In Dual Fuel Range



SLDF30542SS



30" Slide-In Dual Fuel Range



NOTE TO THE INSTALLER: All height, width, and depth dimensions are shown in inches (as well as metric). Beko U.S., Inc. reserves the absolute and unrestricted right to change product materials and specifications, at any time, without notice. Please visit our website, www.BekoAppliances.com, or call 888.352.2356 to verify the latest specifications with final dimensional data and other details prior to installation and making a cutout. Applicable product limited warranty information may be found in accompanying product materials, or you may contact your account manager for further details. Proper installation is the responsibility of the installer. Product failure due to improper installation is not covered under the Limited Warranty.