



1828-SECTPH

FLEXSTEEL®

© Flexsteel Industries, Inc. | Last Updated 07/22

Jarvis | 1828

LEATHER

23  
66PH  
65PH  
59PH  
19

FEATURES

- Flexsteel Spring Unit
  - DualFlex
- Back Construction
  - Attached
- Seat Construction
  - Attached
- Seat Cushion(s)
  - High-Density (HC)

- Standard
- Optional

PRODUCT DIMENSIONS

	OVERALL			SEAT			Arm Height	Open Depth	Wall Clearance
	Height	Width	Depth	Height	Width	Depth			
<b>Full Wedge</b> -23	41"	66"	47"	20"	41"	22"	20"		
<b>RAF Power Reclining Loveseat with Power Headrest</b> -66PH	41"	55"	40"	20"	46"	22"	25"	65"	6"
<b>LAF Power Reclining Loveseat with Power Headrest</b> -65PH	41"	55"	40"	20"	46"	21"	25"	65"	6"
<b>Armless Power Recliner with Power Headrest</b> -59PH	41"	24"	40"	20"	24"	22"	25"	65"	6"
<b>Armless Chair</b> -19	41"	24"	40"	20"	24"	22"	20"		

**Stocked Colors**



Parchment  
**009-12**  
Leather/Vinyl



Mica  
**009-70**  
Leather/Vinyl

*Printed samples may vary from actual swatches. Please refer to swatches for actual color.*

**NOTES**

Contemporary look with clean lines, sleek arms and intricate cross-stitching

Built to last with our DualFlex Spring System—sturdy steel ribbons attached to flexible coils that offer a wide range of motion and durability

Power controls on either side independently adjust the headrest and recline for a personalized sit

Separate home buttons on either side return the headrest and footrest to their original positions with one touch

High-density cushions consist of a high-resiliency, high-density polyurethane foam core

Durable leather upholstery holds up in the most demanding environments

USB port built into power control for convenient charging

The power control allows you to independently adjust the recline and headrest.

A separate home button returns the headrest and footrest to their original positions with one touch.

A USB port is included on the power control for powering electronics.

Zero draw technology only uses power when the USB port is in use.



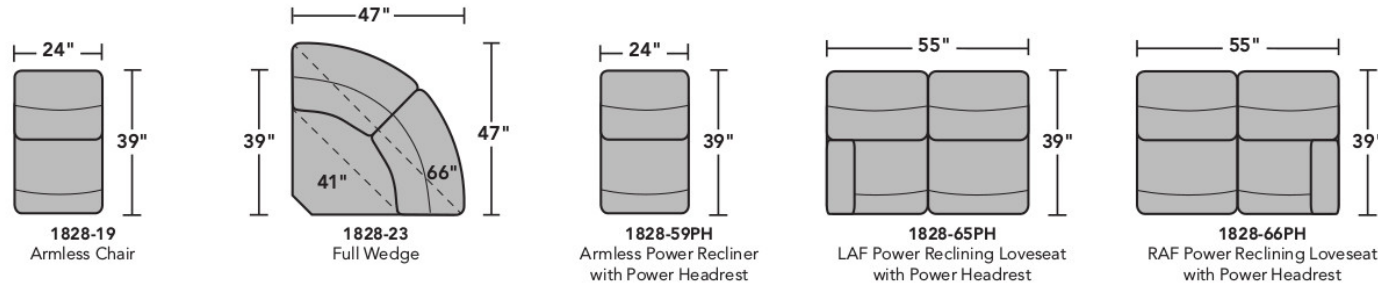
**Power Recline  
& Headrest**

# Jarvis Power Sectional 1828 leather

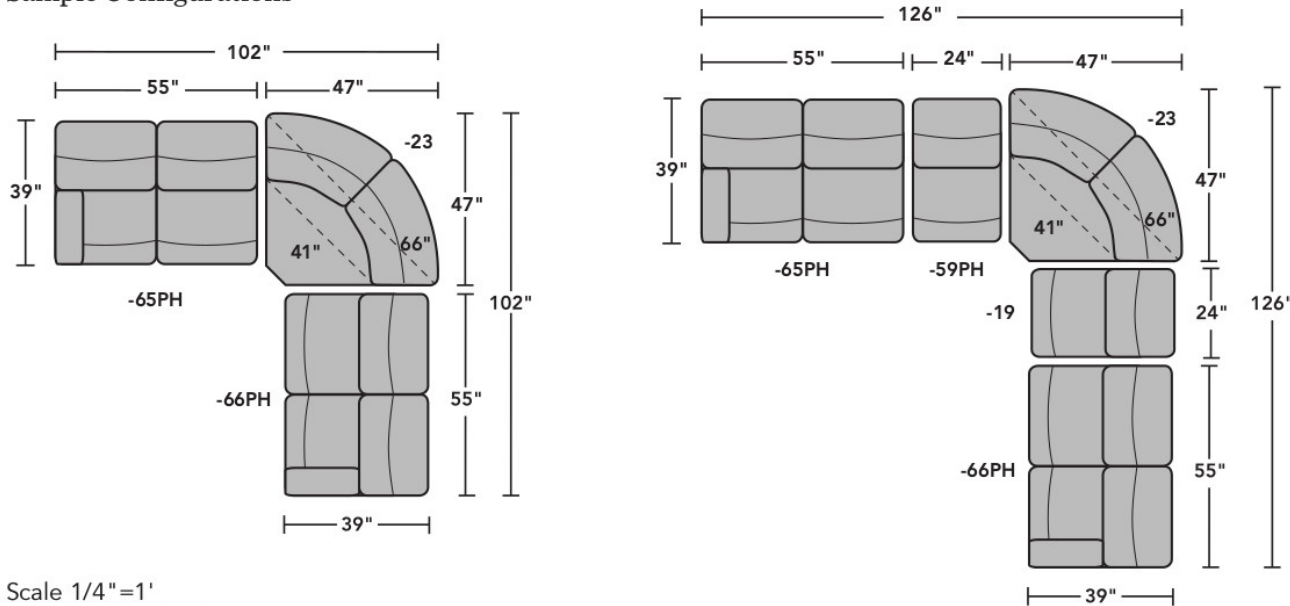
## Components & Configurations

### Components

LAF = Left-Arm-Facing  
RAF = Right-Arm-Facing



### Sample Configurations



Scale 1/4"=1'

Dimensions are in inches and are subject to variance.  
Options are subject to change without notice.