

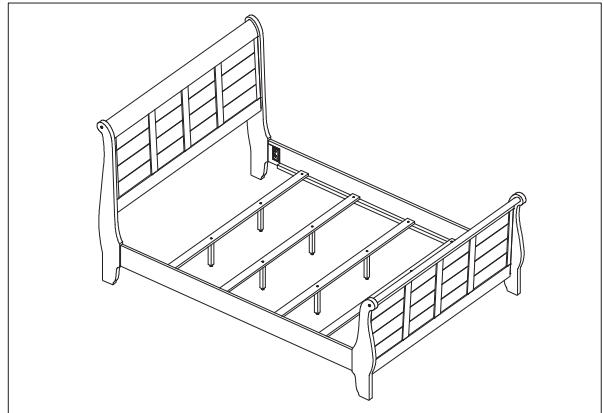
ITEM#: 175-BR22HF / BR22R

DESCRIPTION : King Sleigh HB & FB(RTA)/ Rails







Thank you for purchasing this quality product. Be sure to check all packing material carefully for small Hardware which may have come loose inside the carton during shipment. Identify and count all Hardware and compare with the Hardware List Below.

PART LIST




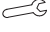

No.	Descriptions	Qty.
①	Headboard Panel (Packed separately)	1 Pc
②	Headboard Bed Post(Packed inside HB & FB)	2 Pcs
③	Footboard Panel (Packed separately)	1 Pc
④	Footboard Bed Post(Packed inside HB & FB)	2 Pcs
⑤	Bed Rail (Packed separately)	2 Pcs
⑥	Slats (Packed inside Rail)	4 Pcs
⑦	Slat support (Packed inside Rail)	8 Pcs



HEADBOARD & FOOTBOARD HARDWARE LIST

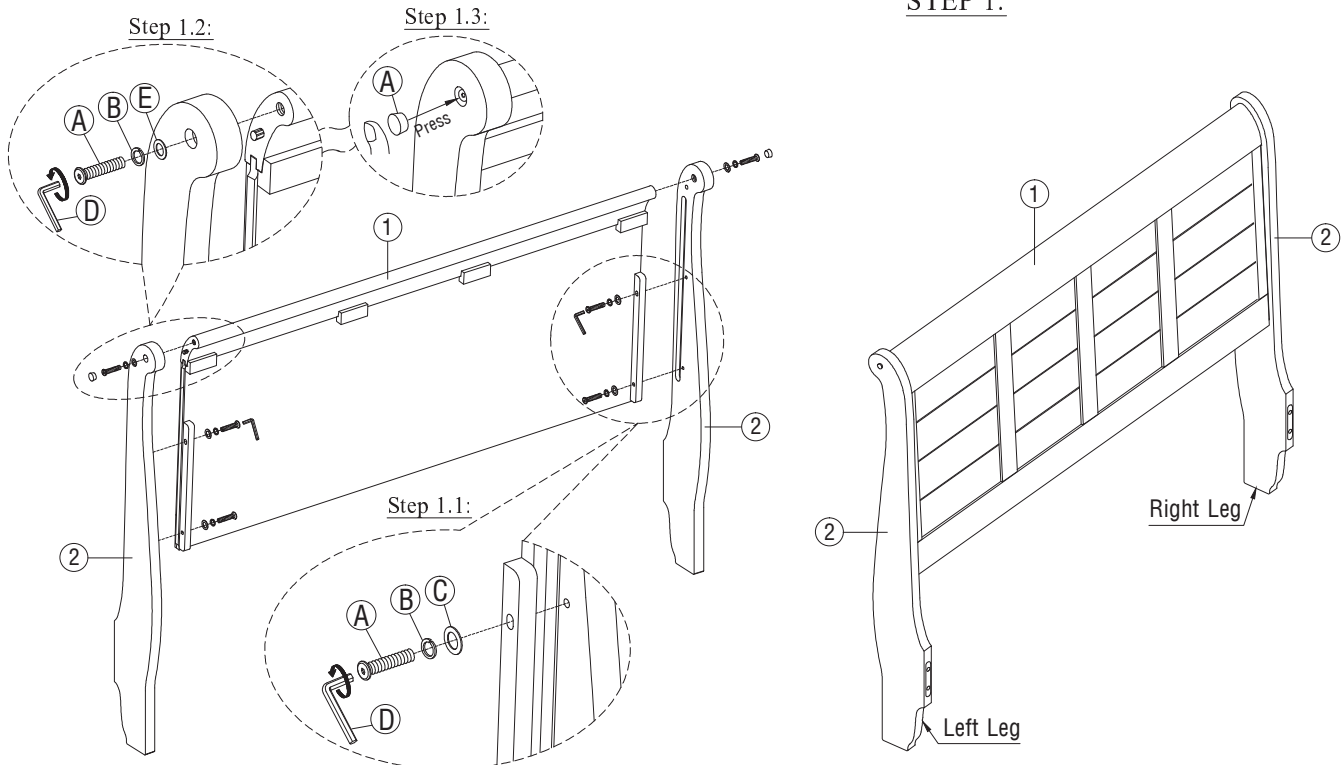
No.	Descriptions	Hardware	Qty.
Ⓐ	JCBC Screw Ø1/4" x 38mm		12 Pcs
Ⓑ	Spring Washer Ø1/4"		12 Pcs
Ⓒ	Flat Washer Ø1/4" x 19mm x 1mm		8 Pcs
Ⓓ	Allen Key		1 Pc
Ⓔ	Flat Washer Ø1/4" x 13mm x 1mm		4 Pcs
Ⓕ	Wood Button		4 Pcs

RAILS HARDWARE LIST

No.	Descriptions	Hardware	Qty.
Ⓖ	Hanger bolt Ø5/16" x 3 1/2"		8 Pcs
Ⓕ	Hexagon nut Ø5/16"		8 Pcs
Ⓖ	Spring Washer Ø5/16"		8 Pcs
Ⓙ	Wrench Ø5/16"		1 Pc
Ⓚ	Screw M4 x 32mm		8 Pcs

ASSEMBLY STEP HEADBOARD

STEP 1:



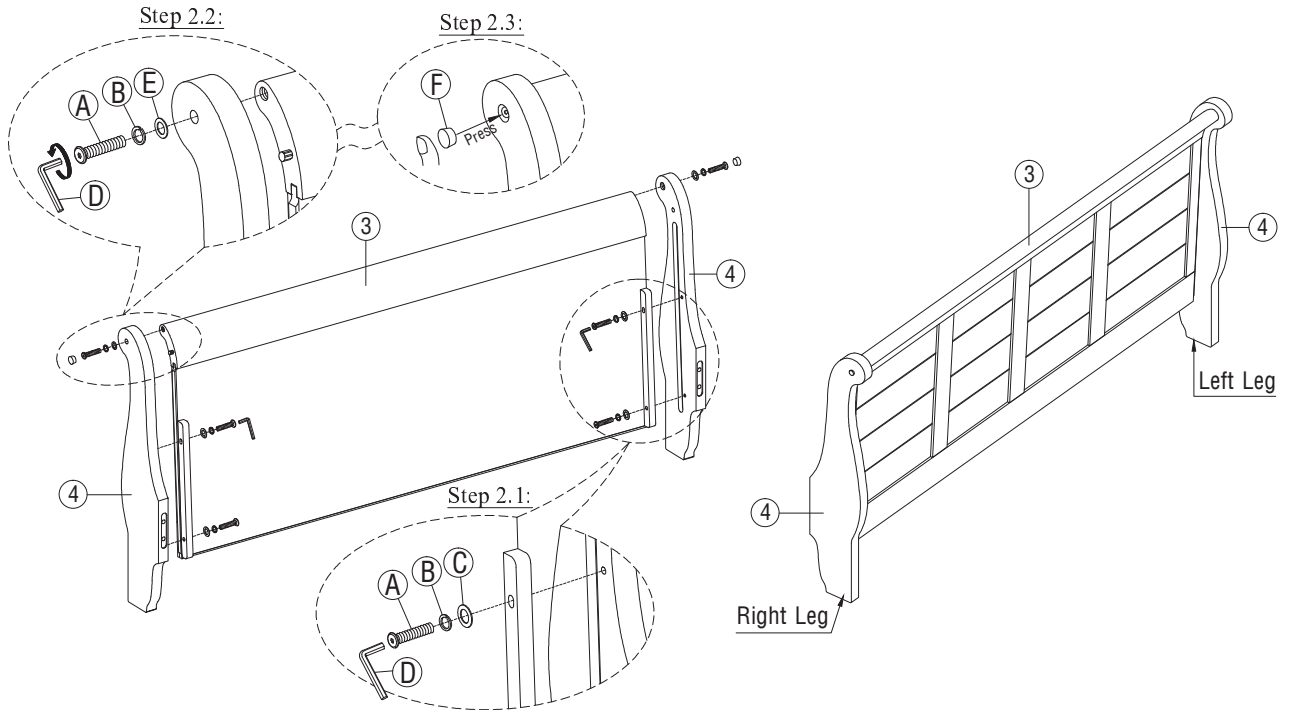


ITEM#: 175-BR22HF / BR22R

DESCRIPTION : King Sleigh HB & FB(RTA)/ Rails

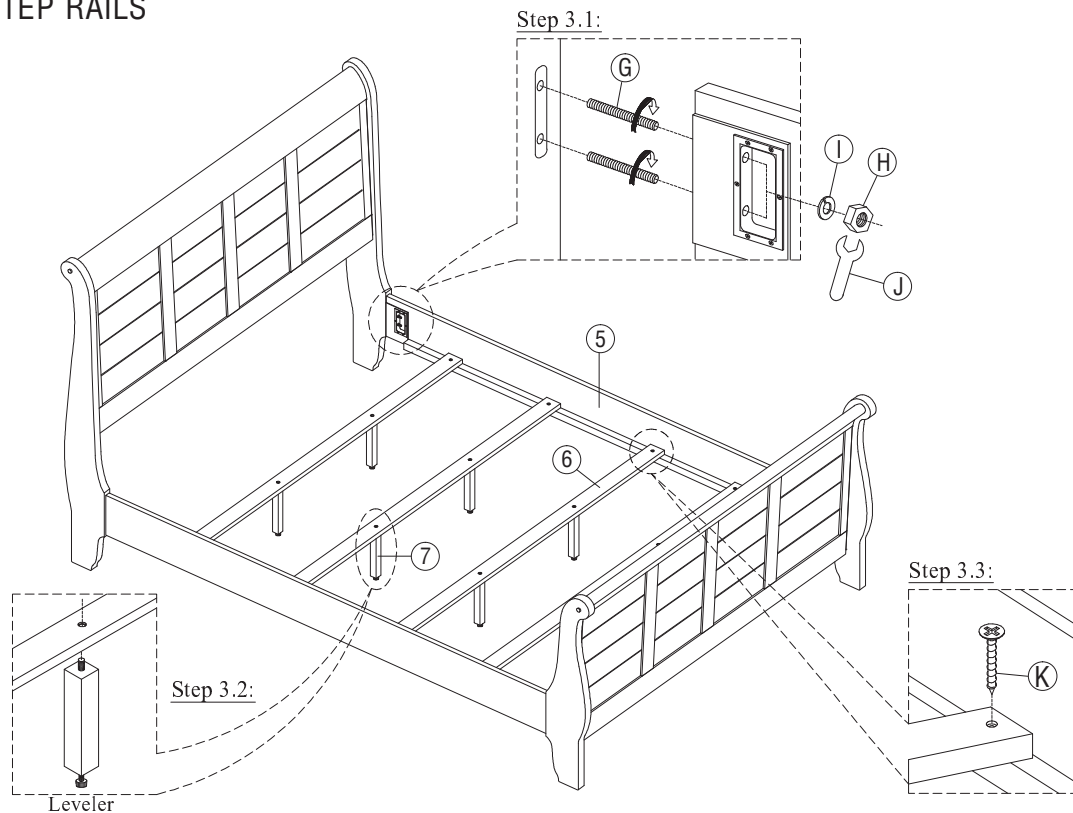
ASSEMBLY STEP FOOTBOARD

STEP 2:



ASSEMBLY STEP RAILS

STEP 3:




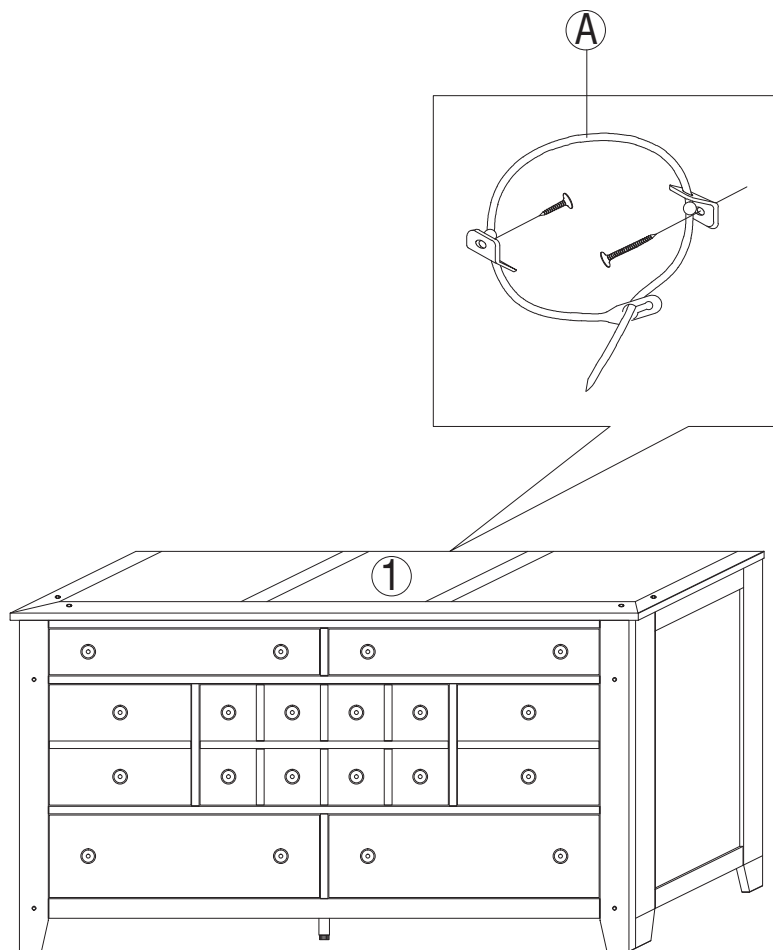
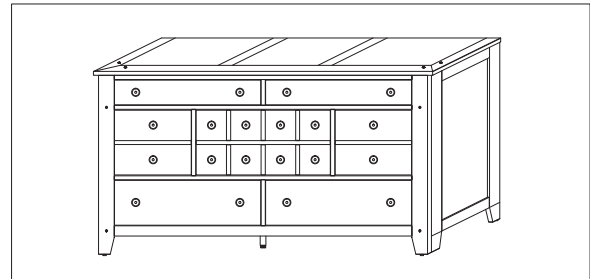


ITEM#: 175-BR31

DESCRIPTION : 7 DRAWER DRESSER

Thank you for purchasing this quality product. Be sure to check all packing material carefully for small Hardware which may have come loose inside the carton during shipment. Identify and count all Hardware and compare with the Hardware List Below.

Part List		
NO.	Description	Q.ty
①	Drawer Dresser	1 Pc
Hardware List		
Ⓐ	TIPPING RESTRAINT	 1 Set




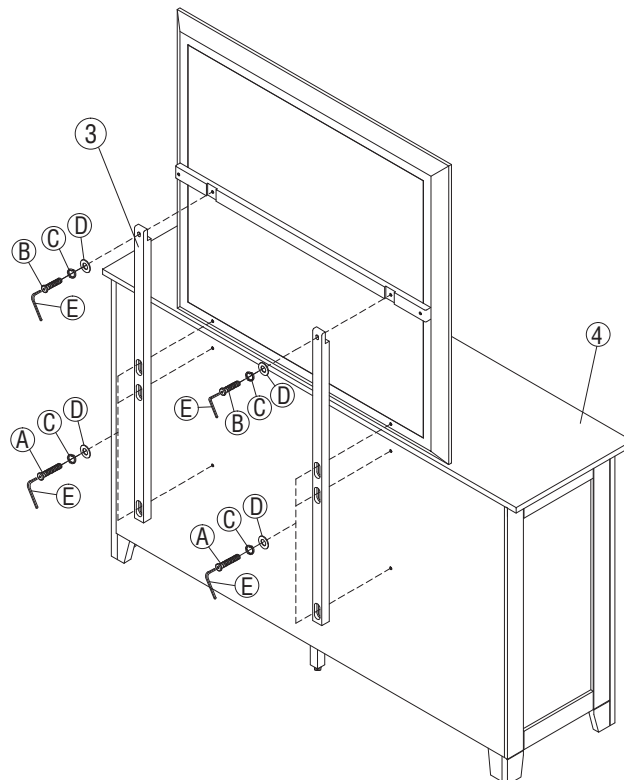
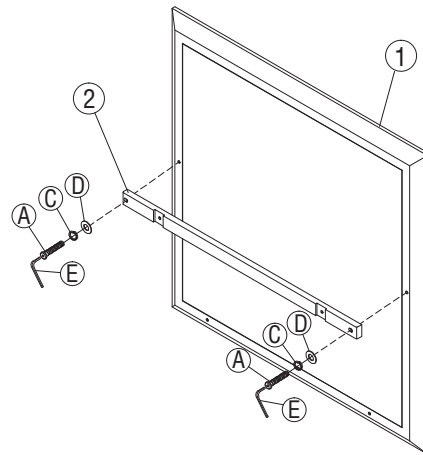
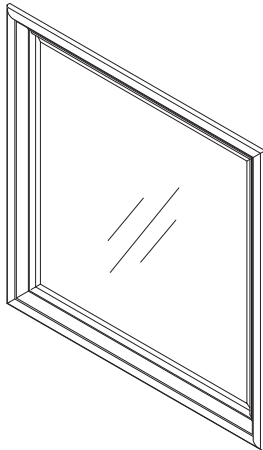
ITEM#: 175-BR51

DESCRIPTION : MIRROR

Thank you for purchasing this quality product. Be sure to check all packing material carefully for small Hardware which may have come loose inside the carton during shipment. Identify and count all Hardware and compare with the Hardware List Below.

Part List		
NO.	Description	Q.ty
①	Mirror	1 Pc
②	Mirror Support -1	1 Pc
③	Mirror Support -2	2 Pcs
④	Dresser	1 Pc


Hardware List			
Ⓐ	JCBC Screw $\text{\O}1/4"$ x 38mm		8 Pcs
Ⓑ	JCBC Screw $\text{\O}1/4"$ x 30mm		2 Pcs
Ⓒ	Spring Washer $\text{\O}1/4"$		10 Pcs
Ⓓ	Flat Washer $\text{\O}1/4"$ x 19mm x 1mm		10 Pcs
Ⓔ	Allen Key		1 Pc



ITEM#: 175-BR41

DESCRIPTION : 5 DRAWER CHEST

Thank you for purchasing this quality product. Be sure to check all packing material carefully for small Hardware which may have come loose inside the carton during shipment. Identify and count all Hardware and compare with the Hardware List Below.

Part List		
NO.	Description	Q.ty
①	Drawer Chest	1 Pc
Hardware List		
Ⓐ	TIPPING RESTRAINT	 1 Set

