

# DVG50B5100V

# SAMSUNG

## 7.4 cu. ft. Gas Dryer with Sensor Dry



### Available Color



**Brushed Black**  
DVG50B5100V

### Features

- Sensor Dry
- 10 Preset Drying Cycles
- Smart Care\*
- Large 7.4 cu. ft. Capacity
- Lint Filter Indicator
- Internal Drum Light
- Reversible Dryer Door
- 10 Total Drying Cycles
- 3 Options
- 4 Temperature Settings
- 3-Way Venting

### Convenience

- Child Lock
- Lint Filter Indicator

### Electrical Requirements

120 V / 60 Hz  
15 Amps

### Specifications

#### 10 Preset Drying Cycles:

Normal, Heavy Duty, Permanent Press, Bedding, Delicates, Sanitize, Time Dry, Air Fluff, Small Load, Wrinkle Release

#### 3 Options:

Wrinkle Prevent, Child Lock, Smart Care

#### 4 Temperature Settings:

High, Medium, Low, Extra Low

#### 4 Dry Levels:

Extra Dry, More Dry, Normal Dry, Damp Dry

Gas Dryer	Model #	UPC Code
Brushed Black	DVG50B5100V	887276658728
<b>Electric Dryer</b>		
Brushed Black	DVE50B5100V	887276658704
<b>Matching Washer</b>		
Brushed Black	WA50B5100AV	887276661032
<b>Matching Agitator Washer</b>		
Brushed Black	WA49B5105AV	887276661308
<b>Optional Accessories</b>		
Vent Kit	DV-2A	887276146416
Gas to Propane Converter Kit	LPKIT-4	887276352787

### Warranty

One (1) Year Parts and Labor

### Product Dimensions & Weight (WxHxD)

Dimensions: 27" x 46<sup>3</sup>/<sub>16</sub>" x 30<sup>1</sup>/<sub>4</sub>"  
Weight: 119.0 lbs

### Shipping Dimensions & Weight (WxHxD)

Dimensions: 29<sup>9</sup>/<sub>16</sub>" x 47<sup>7</sup>/<sub>8</sub>" x 31<sup>3</sup>/<sub>16</sub>"  
Weight: 125.7 lbs

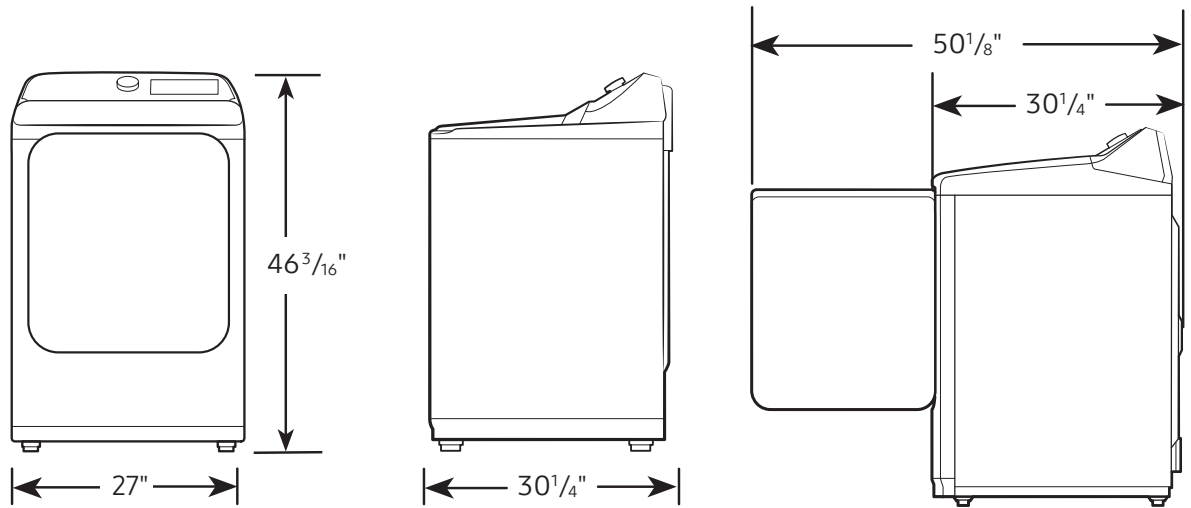
# DVG50B5100V

**SAMSUNG**

7.4 cu. ft. Gas Dryer with Sensor Dry

## Dimensions

Required dimensions for installation:

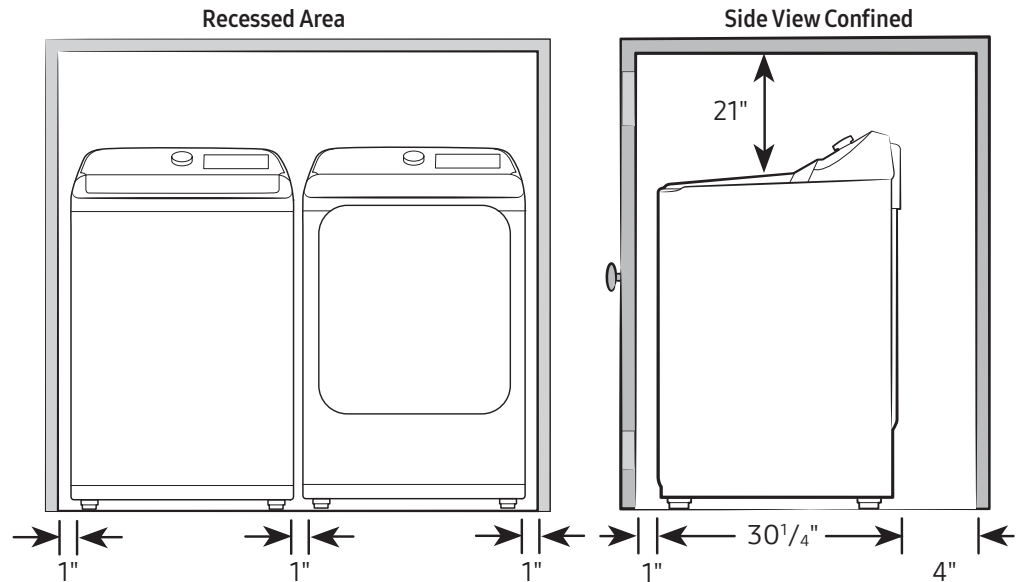


## Installation Specifications – Side-by-Side

If the washer and dryer are installed together or the dryer alone, the closet front must have two unobstructed air openings for a combined minimum total area of 72-inch<sup>2</sup>. Your washer alone does not require a specific air opening.

Alcove or closet installation

Minimum clearance for closet and alcove installations:

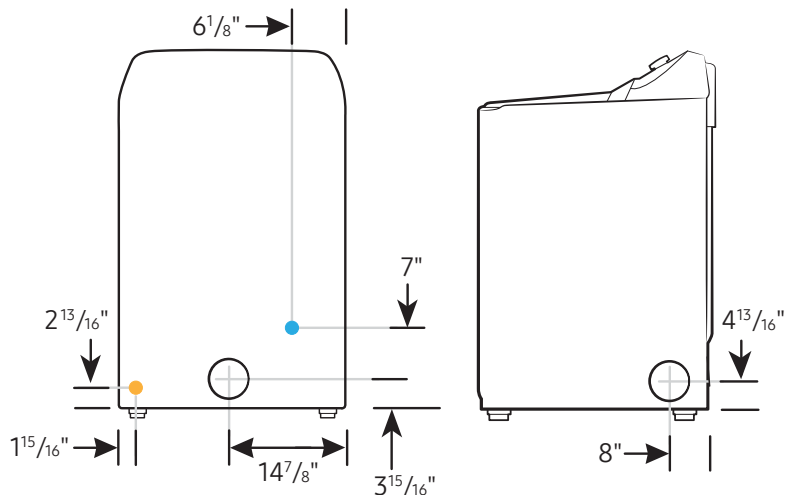


## Connection Dimensions

Back and Side View of Gas Dryer

### LEGEND:

- Cold Water Connection
- Gas Connection



Actual color may vary. Design, specifications, and color availability are subject to change without notice. Non-metric weights and measurements are approximate.

©2022 Samsung Electronics America, Inc., 85 Challenger Road, Ridgefield Park, NJ 07660. Tel: 800-SAMSUNG. samsung.com. Samsung is a registered trademark of Samsung Electronics Co., Ltd.