



DVG53BB8700**SAMSUNG****Bespoke 7.6 cu. ft. Ultra Capacity Gas Dryer with Super Speed Dry and AI Smart Dial****Available Colors**

-  **Silver Steel**
DVG53BB8700T
-  **Brushed Black**
DVG53BB8700V

Features

- Bespoke Design
- Super Speed Dry
- AI Smart Dial
- MultiControl™
- Steam Sanitize+
- ENERGY STAR® Certified
- Shallow Closet-Depth Fit¹
- Flexible Installation
- Wi-Fi Connectivity²
- Sensor Dry
- 7.6 cu. ft. Ultra Capacity
- Vent Sensor
- Lint Filter Indicator
- Stainless Steel Drum
- Premium Tempered Glass Door
- Internal Drum Light
- Drying Rack
- Reversible Dryer Door
- ADA Compliant³
- 19 Total Drying Cycles
- 14 Options
- 5 Temperature Settings
- 3-Way Venting

Convenience

- Child Lock
- Filter Check Indicator

Electrical Requirements

120 V / 60 Hz
15 Amps

**Specifications****19 Preset Drying Cycles:**

Steam Refresh, Wrinkle Away, Steam Sanitize+, Super Speed, Eco Normal, Normal, Heavy Duty, Towels, Permanent Press, Activewear, Bedding, Delicates, Wool, Shirts, Denim, Time Dry, Air Fluff, Small Load, Rack Dry

14 Options:

Damp Alert, Wrinkle Prevent, AntiStatic, My Cycles, Smart Control, Eco Dry, Drum Light, Child Lock, Alarm, AI Pattern, Wi-Fi, Language, Vent Blockage Test, Factory Reset

5 Temperature Settings:

High, Medium, Medium Low, Low, Extra Low

5 Dry Levels:

Very Dry, More Dry, Normal Dry, Less Dry, Damp Dry

Warranty

One (1) Year Parts and Labor

Product Dimensions & Weight (WxHxD)

Dimensions: 27" x 38³/₄" x 31⁷/₁₆"
Weight: 121.3 lbs

Shipping Dimensions & Weight (WxHxD)

Dimensions: 29³/₈" x 42¹⁵/₁₆" x 34¹¹/₁₆"
Weight: 130.1 lbs

Gas Dryer	Model #	UPC Code
Silver Steel	DVG53BB8700T	887276657295
Brushed Black	DVG53BB8700V	887276657301
Electric Dryer		
Silver Steel	DVE53BB8700T	887276657233
Brushed Black	DVE53BB8700V	887276657240
Matching Washer		
Silver Steel	WF53BB8700AT	887276652238
Brushed Black	WF53BB8700AV	887276652245

Optional Accessories	Model #	UPC Code
Silver Steel Pedestal	WE502NT	887276665283
Brushed Black Pedestal	WE502NV	887276665290
Brushed Black Riser	WE272NV	887276197630
Silver Steel Bespoke Stacking and MultiControl™ Combo Kit	SKK-9MCT	887276667379
Brushed Black Bespoke Stacking and MultiControl™ Combo Kit	SKK-9MCV	887276667386
Vent Kit	DV-2A	887276146416
Gas to Propane Converter Kit	LPKIT-4	887276352787

¹Designed to fit a 38" installation depth.

²Requires wireless network, Samsung account and SmartThings App. The Samsung SmartThings App supports Android OS 4.0 (ICS) or later which is optimized for Samsung smartphones (Galaxy S and Galaxy Note series). This app also supports iOS 7 or later for iPhone models. SmartThings App available in App Store and Play Store. Only monitoring enabled on Gas Dryers for safety reasons.

³ADA Compliant when using 27" wide riser. (Riser model codes: WE272NV, WE272NW, WE272NC)

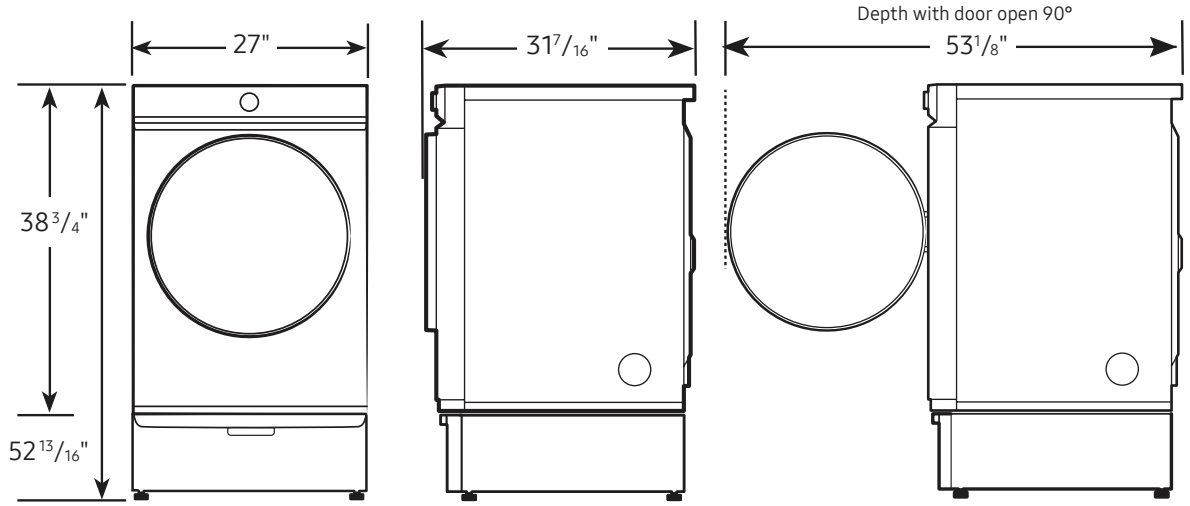
DVG53BB8700

SAMSUNG

Bespoke 7.6 cu. ft. Ultra Capacity Gas Dryer with Super Speed Dry and AI Smart Dial

Dimensions

Required dimensions for installation with pedestal:

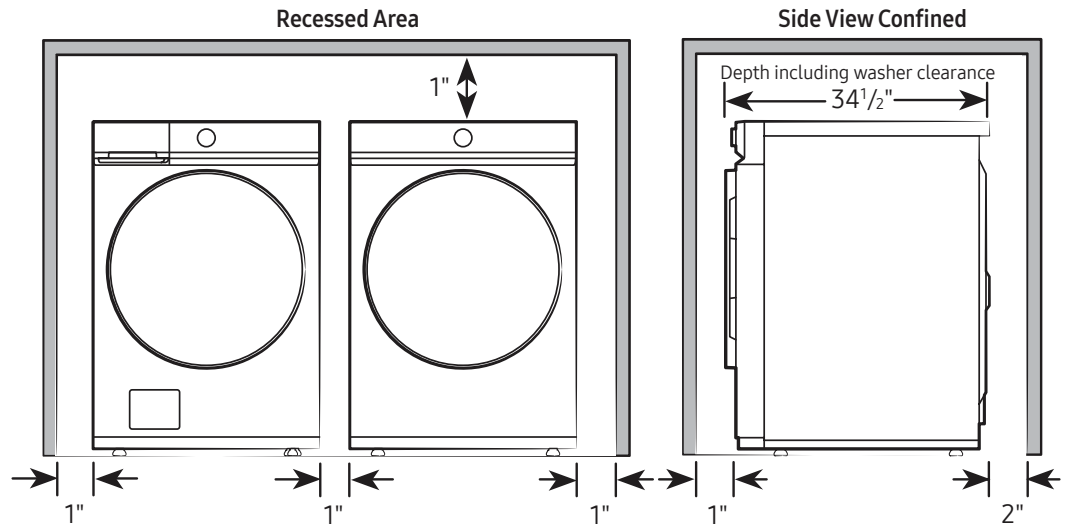


Installation Specifications – Side-by-Side

If the washer and dryer are installed together or the dryer alone, the closet front must have two unobstructed air openings for a combined minimum total area of 72-inch². Your washer alone does not require a specific air opening.

Alcove or closet installation

Minimum clearance for closet and alcove installations:



Connection Dimensions

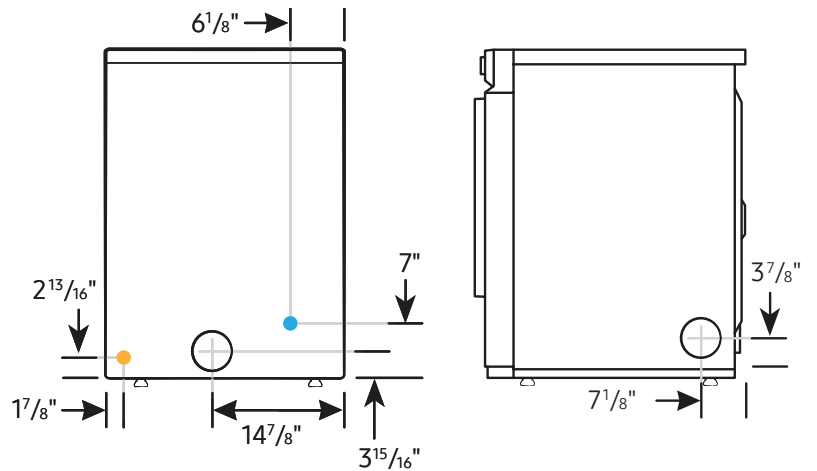
Back and side view of dryer

LEGEND:

- Cold Water Connection
- Gas Connection

Actual color may vary. Design, specifications, and color availability are subject to change without notice. Non-metric weights and measurements are approximate.

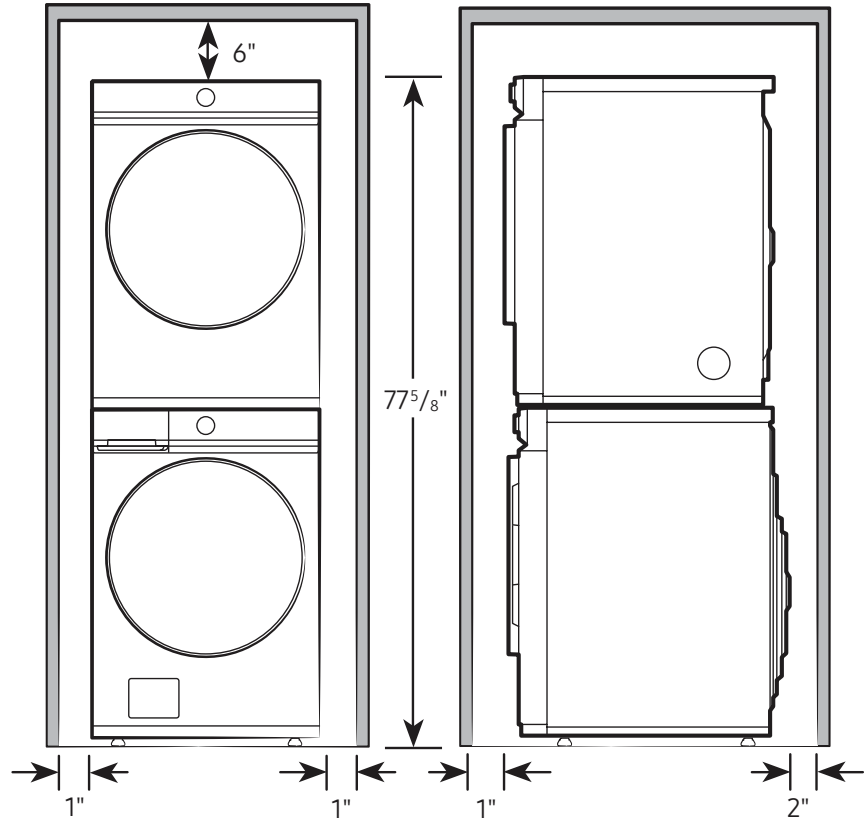
©2022 Samsung Electronics America, Inc., 85 Challenger Road, Ridgefield Park, NJ 07660. Tel: 800-SAMSUNG.samsung.com. Samsung is a registered trademark of Samsung Electronics Co., Ltd.



Bespoke 7.6 cu. ft. Ultra Capacity Gas Dryer
with Super Speed Dry and AI Smart Dial

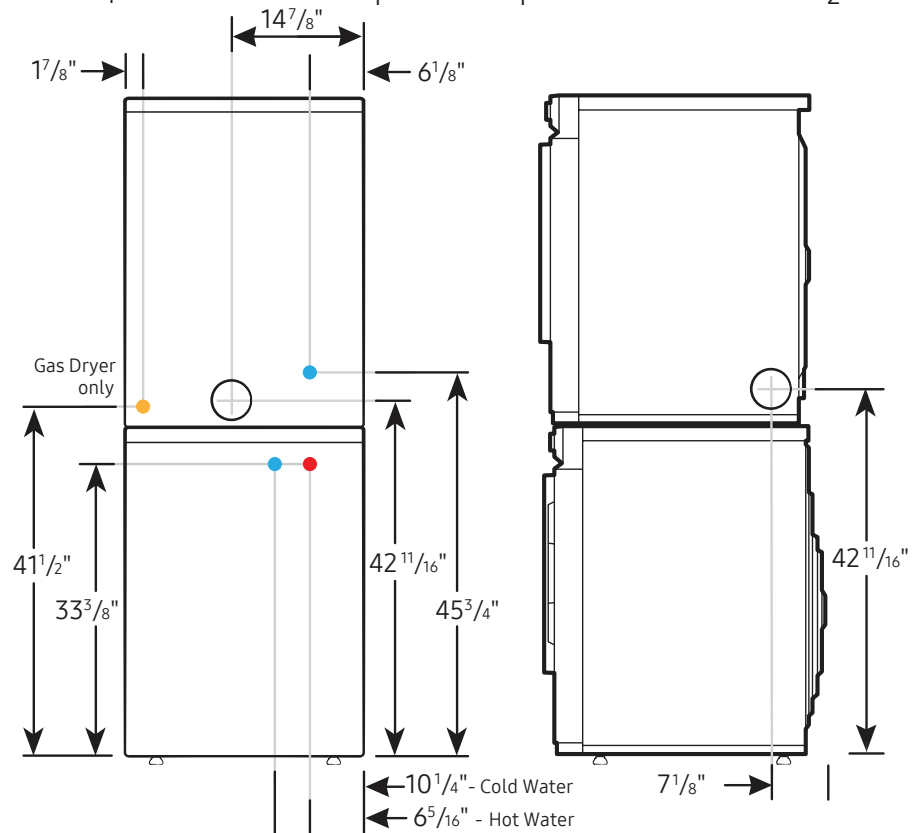
Installation Specifications – Stacked Pair

Clearances indicated are for stacked pairs. The closet front must have two unobstructed air openings for a combined minimum total area of 72-inch².



Connection Dimensions

Back and side views of stacked pair



- LEGEND:**
- Cold Water Connection
 - Hot Water Connection
 - Gas Connection

Actual color may vary. Design, specifications, and color availability are subject to change without notice. Non-metric weights and measurements are approximate.