

SLER30532SS



30" Slide-In Electric Range



GENERAL PROPERTIES

Type	Freestanding / Slide-In
Size	30"
Finish	Stainless Steel
Oven Control Type	Electronic Controls with Multi-Color LED Display
Cooktop Control Type	Metal Knobs
Control Key Lock	Yes
Drawer Type	Warming (150-200°F)
Exterior Side Walls	Black
Fuel Type	Electric

OVEN FEATURES & FUNCTIONS

Capacity	5.7 cu. ft. (Main Oven) + 1 cu. ft. (Warming Drawer)
Convection Type	True European Convection
Functions	12

PREMIUM TECHNOLOGY



LARGER OVEN CAPACITY

For the cook who enjoys some extra elbow room, Beko's 30" range interiors are among the most spacious in their class. With an industry-leading 5.7 cu. ft. interior volume, you'll have more than enough room for the caramelized vegetables and tender roast at your next dinner party.



FULL EXTENSION TELESCOPIC RACK*

The rack fully extends on heavy duty rails so you can safely access even the heaviest dishes with ease, without reaching into the oven.



INTERIOR HALOGEN LIGHTING

Elegant dual halogen lights make it easy to see what's cooking in Beko's bright oven interior.

*Can be used only in the lowest rack position

SLER30532SS



30" Slide-In Electric Range

OVEN FEATURES & FUNCTIONS CONTINUED

Cooking Functions	Bake, Broil, Roast, Convection Bake, Convection Broil, Convection Roast, Pizza Cooking, Warm Keep, Bread Proof, Sabbath Mode, Perfect Turkey, Self Clean, Warming Drawer
Pyrolytic Self-Cleaning	Yes
Sabbath Mode	Yes
Door Cooling System	4 Pane Heat-Resistant Glass (Fixed)
Cooling Fan	Yes
Interior Illumination	2 x Halogen Lights
Full Extension Telescopic Rack	1 (Lowest Position)
Standard Oven Racks	3
Stay-In Self Clean Racks	Yes
Rack Positions	6
12-24 Hour Clock Format	Yes
Preheat Indicator (Audible Signal)	Yes

COOKTOP – FEATURES & PERFORMANCE

Zone Configuration	4 Vitroceramic + 1 Warming Zone
Front Left	Dual 5" / 8"-750 W / 2,200 W Bridge
Rear Left	8"-2,200 W
Center	6"-90 W
Front Right	Dual 9" / 12"-1,800 W / 3,000 W
Rear Right	6"-100 W Warming

TECHNICAL INFORMATION

Volts / Frequency	240 / 208 V, 60 Hz
Min. Amps (A)	40 A
Power Cord	Included (4-ft, 50-Amp, 3-Wire; Requires Nema 10-30r Outlet)

DIMENSIONS & WEIGHT

Product (H x W x D) (in)	37 1/2 - 38 1/4 x 29 13/16 x 28 5/8
Depth (Incl. Handle) (in)	28 5/8
Depth (w/o Handle) (in)	26
Adjustable Leveling Feet	Yes
Required Cutout Size (H x W x D) (in)	36 x 30 x 25
Carton (H x W x D) (in)	32 3/4 x 45 3/8 x 27 9/16
Product Weight (lbs)	256.83
Shipping Weight (lbs)	316.36

ACCESSORIES (INCLUDED)

Island Trim	Yes
Anti-Tip Bracket	Yes

ACCESSORIES (OPTIONAL / NOT INCLUDED)

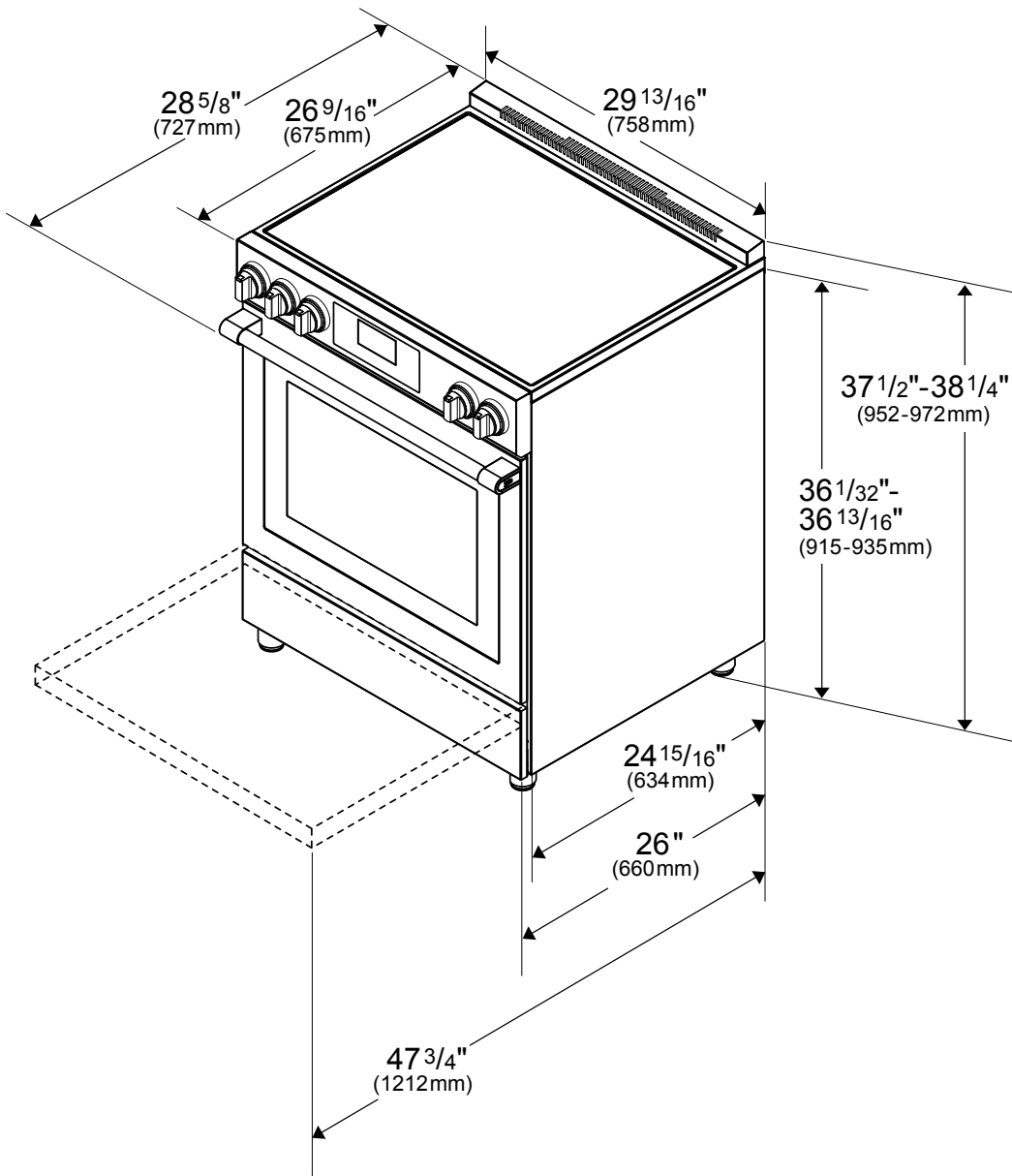
Side Trim Kit, Stainless Steel	OW3001
Side Trim Kit, Black	OW3002
Backguard	BG3004

WARRANTY

Entire Appliance	2-Year Full Warranty
------------------	----------------------

SLER30532SS

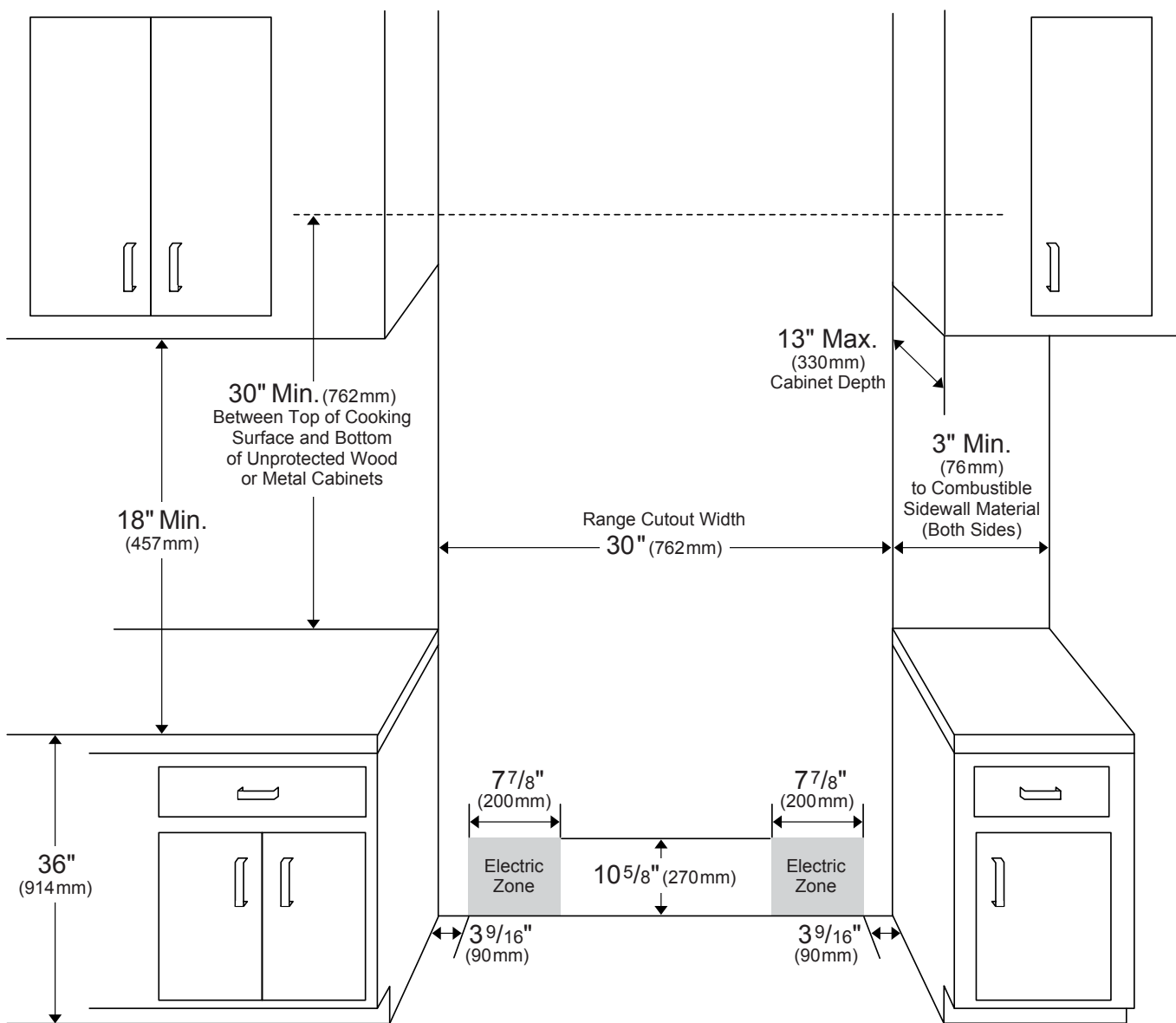
30" Slide-In Electric Range



SLER30532SS



30" Slide-In Electric Range



NOTE TO THE INSTALLER: All height, width, and depth dimensions are shown in inches (as well as metric). Beko U.S., Inc. reserves the absolute and unrestricted right to change product materials and specifications, at any time, without notice. Please visit our website, www.BekoAppliances.com, or call 888.352.2356 to verify the latest specifications with final dimensional data and other details prior to installation and making a cutout. Applicable product limited warranty information may be found in accompanying product materials, or you may contact your account manager for further details. Proper installation is the responsibility of the installer. Product failure due to improper installation is not covered under the Limited Warranty.