

SYSTEM DIAGNOSTIC MODE				
Activate:	Press and hold + and - buttons for 10 secs. Navigate through tests with +/- buttons			
Deactivate:	Press and hold + and - buttons for 10 secs.			
Display	Test	Activation/Deactivation	Display	Passing result
--	First Screen Second Screen	--	Turn on all LEDS on main UI, ATD UI, and external dispenser UI	---
2	FRZ Defrost		Heater on when display reads On ; off when oF	Defrost heater shows temp increase before 5 min have passed or reaches 45°C cutout
8	Main Water Valve		Main valve is activated when On ; stops when oF	Valve is able to turn on and off
11	Cube/Crush Solenoid		Solenoid activated when On ; deactivated when oF	Solenoid activated successfully
12	Condenser Fan		Fan on when On ; deactivated when oF	Fan motor is activated successfully
53	Water Valve Dispenser + Main Valve		Water dispenses when On ; stops when oF	Water is dispensed successfully at dispenser
56	FF IM Water Valve + Main Valve		Remove ice tray to collect water into a container to measure water fill If collecting water into ice tray, perform test 50 first to empty tray Water flows in the tray when On ; test is correspondent to Ice tray water fill setting Automatically goes to oF state once configured time has elapsed	Water is dispensed at ice tray for configured time setting
72	FF IM Defrost Heater		Heater on when display reads On ; off when oF	Defrost heater shows temp increase before 5 min have passed or reaches 45°C cutout
82	FRZ IM Valve + Main Water Valve		Remove ice tray to collect water into a container to measure water fill If collecting water into ice tray, perform test 50 first to empty tray. Water flows in the tray when On ; test is correspondent to Ice tray water fill setting Automatically goes to oF state once configured time has elapsed	Water is dispensed at ice tray successfully for configured time setting
10	Auger Motor		Auger activated when On ; deactivated when oF	Auger motor is successfully activated
13	FF Light		Fresh Food lights come on when On ; lights turn off when oF	All FF lights turn on
15	FRZ Evaporator Fan Motor		Fan runs at 3 speeds: max speed On , medium speed MI , stopped oF ; locked rotor will show Lc No PWM signal will show nS when fan is stopped (oF) No 12V signal or ground will show nP when fan is On or MI	Fan will cycle through all 3 speeds, and Lc or nS or nP is not displayed
20	FRZ Light		FRZ light comes on when On ; light turns off when oF	FRZ light turns on
38	VCC Compressor		Compressor is running at max speed when On ; stopped when oF	Compressor successfully turns on
47	Ice Chute Heater		Chute heater is activated when On ; deactivated when oF	Heater turns on successfully and difference in temperature is felt around dispenser ice chute
62	FF IM Evap Fan Motor		Evap fan motor is activated when On ; deactivated when oF	FF IM evap fan motor is activated successfully
63	Flipper Mullion DC Heater		Flipper mullion heater is activated when On ; deactivated when oF	Heater turns on successfully and difference in temperature is felt around along flipper mullion
66	Dispenser Light		Dispenser pocket light turns on when On ; light turns off when oF	Dispenser pocket light turns on successfully
67	FF Fill Tube Heater		FF fill tube heater is activated when On ; deactivated when oF	Fill tube heater is successfully turned on and off. Temperature increase is noted in fill tube area
94	FRZ Fill Tube Heater		FRZ fill tube heater is activated when On ; deactivated when oF	Temperature increase is noted in fill tube area
22	FF Damper Motor		FRZ Evap Fan will turn on at max speed Damper is open when OP ; closed when CL Check for airflow when damper is fully open (OP) and no air flow when fully closed (CL) Screen will blink 1 during damper movement Any FRZ evap fan motor errors will display alternatively of damper status during test	Damper opens and closes successfully and no air flow is felt when damper is in closed (CL) position
36	Ice Chute Door/Flapper Motor		When flapper is closed, shows CL ; when open OP	Flapper door opens and closes successfully; Er does not show on display
50	FF IM Twist Tray Harvest Test		Remove ice bucket in order to see rotation of tray. Display will show Go when tray is in home position (horizontal). During rotation, screen will blink 1 In case of failure at end of twisting operation, screen will show Er	Tray twists successfully and Er is not displayed at the end of each cycle
78	FF IM Bail Arm/Ice Level Bucket		Remove ice bucket in order to see status of IM bail arm Allow bail arm to drop freely; Em (empty) will show when tray returns home Hold bail arm up by hand; Fu (full) will show when tray returns home In case of failure at end of twisting operation, will show Er . During rotation, screen will blink 1	Bail arm successfully completes test and Er is not displayed at the end of each cycle
88	FRZ IM Twist Tray Harvest Test		Remove ice bucket in order to see rotation of tray. Display will show Go when tray is in home position (horizontal). During rotation, screen will blink 1 In case of failure at end of twisting operation, will show Er	Tray twists successfully and Er is not displayed at the end of the cycle
86	FRZ IM Bail Arm/Ice Level Bucket		Remove ice bucket in order to see status of IM bail arm Allow bail arm to drop freely; Em (empty) will show when tray returns home Hold bail arm up by hand; Fu (full) will show when tray returns home In case of failure at end of twisting operation, will show Er ; During rotation, screen will blink 1	Bail arm successfully completes test and "ER" is not displayed at the end of each cycle
23	FF Door Switch	Open/Close FF Door	Display shows CL when door is closed, OP when open	Display reads correctly when door is opened/closed
24	FRZ Door Switch	Open/Close FRZ Door		
27	FRZ IM Switch	Toggle switch on/off	Switch is closed when display reads On , open when oF	
28	Dispenser Paddle	Press paddle	Display shows On when paddle is pressed, oF when paddle is released or not pressed.	Display shows oF when paddle is not pressed and On when paddle is pressed
29	FF Temp Sensor		Activates automatically	Temperature is displayed and does not show OP or SH
30	FRZ Temp Sensor			
32	ATD Temp Sensor			
34	UI Ambient Temp Sensor			
39	FRZ Evaporator Temp Sensor			
45	FF IM Tray Temp Sensor			
68	FF IM Evaporator Temp Sensor			
64	Humidity Sensor		Display will show relative humidity sensed by H&T sensor on UI Display will read OP if open circuit, SH if short circuit	
87	FRZ IM Tray Temp Sensor		Display will show FRZ IM tray temperature in either C or F depending on mode Display will read OP if open circuit, SH if short circuit	

FF AND FZ IM FILL TIME ADJUSTMENT MODE	
NOTE: First consider water filter condition before adjusting fill time.	
Activate: Press and hold FREEZE BOOST and ICE MAKER buttons for 10 secs. Adjustments can be made with the -/+ buttons. The setting will time out after another 10 secs.	
Deactivate: Resets to Normal Operation after 10 secs	
Setting #	Pressure Condition
1	Normal-High (more than 60 psi)
2	Low (between 30 and 60 psi)
3	Very Low (between 20 and 30 psi)

IMPORTANT SAFETY NOTE

The information provided herein is designed to assist qualified repair personnel only. Untrained persons should not attempt to make repairs due to the possibility of electrical shock. Disconnect power cord before servicing this appliance.

IMPORTANT

If any green grounding wires are removed during servicing, they must be returned to their original position and properly secured.

SERVICE DATA SHEET

A20430702

ICE & WATER - AUTOMATIC DEFROST BOTTOM FREEZER - R600a

IMPORTANT: PLEASE RETURN THIS SHEET TO ITS ORIGINAL LOCATION.

This concludes the hardware tests. The following tests correspond to firmware versions. Before each firmware version is displayed -- will appear on screen followed by each 8-digit string representing firmware version. After the string has been displayed, -- will appear again before automatically proceeded to the next 8-digit string. Press + to advance to the next string at any time

Test	Software Version	Display	Passing result
--	Main Board Firmware Version	Displays digit sequence related to software loaded onto main power board; 8 digit sequence	Software version is able to be recorded from display
	In-Door UI Firmware Version	Displays digit sequence related to firmware loaded onto Jade UI (inside door UI); 8 digit sequence	Firmware version is able to be recorded from display
	ATD UI Firmware Version	Displays digit sequence related to firmware loaded onto Indigo UI (ATD UI); 8 digit sequence	
	Dispenser UI Firmware Version	Displays digit sequence related to firmware loaded onto external 4 button dispenser UI; 8 digit sequence	
Lifetime	Press + button to advance to next digit	Displays number of days the appliance has been powered up, even not consecutively Range is from 0-9999	Lifetime displays successfully on display

After Lifetime is displayed, last display is a 1-second counting up timer (0, 1, 2, 3...) this communicates that Service Mode has come to an end. To return to normal operation, press and hold "+" and "-" for 10 seconds or plug/unplug the appliance

PERFORMANCE DATA NO LOAD & NO DOOR OPENINGS AT 37°/0° CONTROL SETTING				
	CD DISPENSER		SD DISPENSER	
Type A with Run / Start Capacitor	55°F (13°C) Ambient	90°F (32°C) Ambient	55°F (13°C) Ambient	90°F (32°C) Ambient
Operating Time	65 to 70%	100%	55 to 60%	100%
Freezer Temp	-8° to +6°F (-22° to -14°C)			
Refrigerator Temp	33°F to 43°F (0° to 6°C)			
ATD Temp	33°F to 36°F (0° to 2°C)			
Low Side Pressure	-6.3 to -5.1 psig (56 to 64 kPa)	-5.3 to -4.8 psig (63 to 66 kPa)	-6.3 to -5.1 psig (56 to 64 kPa)	-5.3 to -4.8 psig (63 to 66 kPa)
High Side Pressure	25 to 28 psig (270 to 290 kPa)	57 to 61 psig (490 to 520 kPa)	25 to 28 psig (270 to 290 kPa)	57 to 61 psig (490 to 520 kPa)
Wattage	35 to 40	50 to 60	50 to 55	60 to 70
Amps (running)	0.4 to 0.5	0.6 to 0.7	0.6 to 0.7	0.8 to 0.9
Base Voltage	115 vac (103 to 127 vac)			

DEFROST SPECIFICATIONS				
Cabinet Size: 23' CD/28' SD		Thermal Cutout	Heater	Defrost Thermistor Termination
		Cut-out	Watts	Ohms
	FRZ	2 fuses, each fuse rated to open @ 72 +0/-4 C	360 W	36.7 +/- 5% Ω @ 25° C
	FF IM		60 W	220 +/-7.5% Ω @ 25° C
Electronic Timer - (ADC) Defrost 35 minutes every 8-96 hours of compressor run time				

CONDENSER FAN MOTOR			
Watts	RPM	Amps	
3.1	1050 ± 50	130 CFM	
Max Input Power (W)	Speed (R/Min)	Air Flow in Free Air (@ 0 in H ₂ O)	

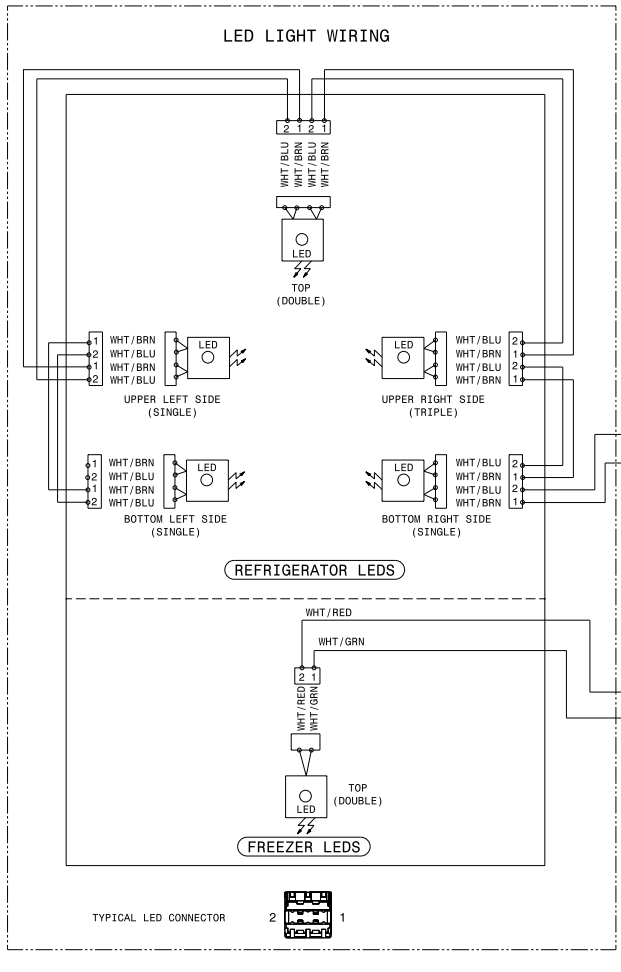
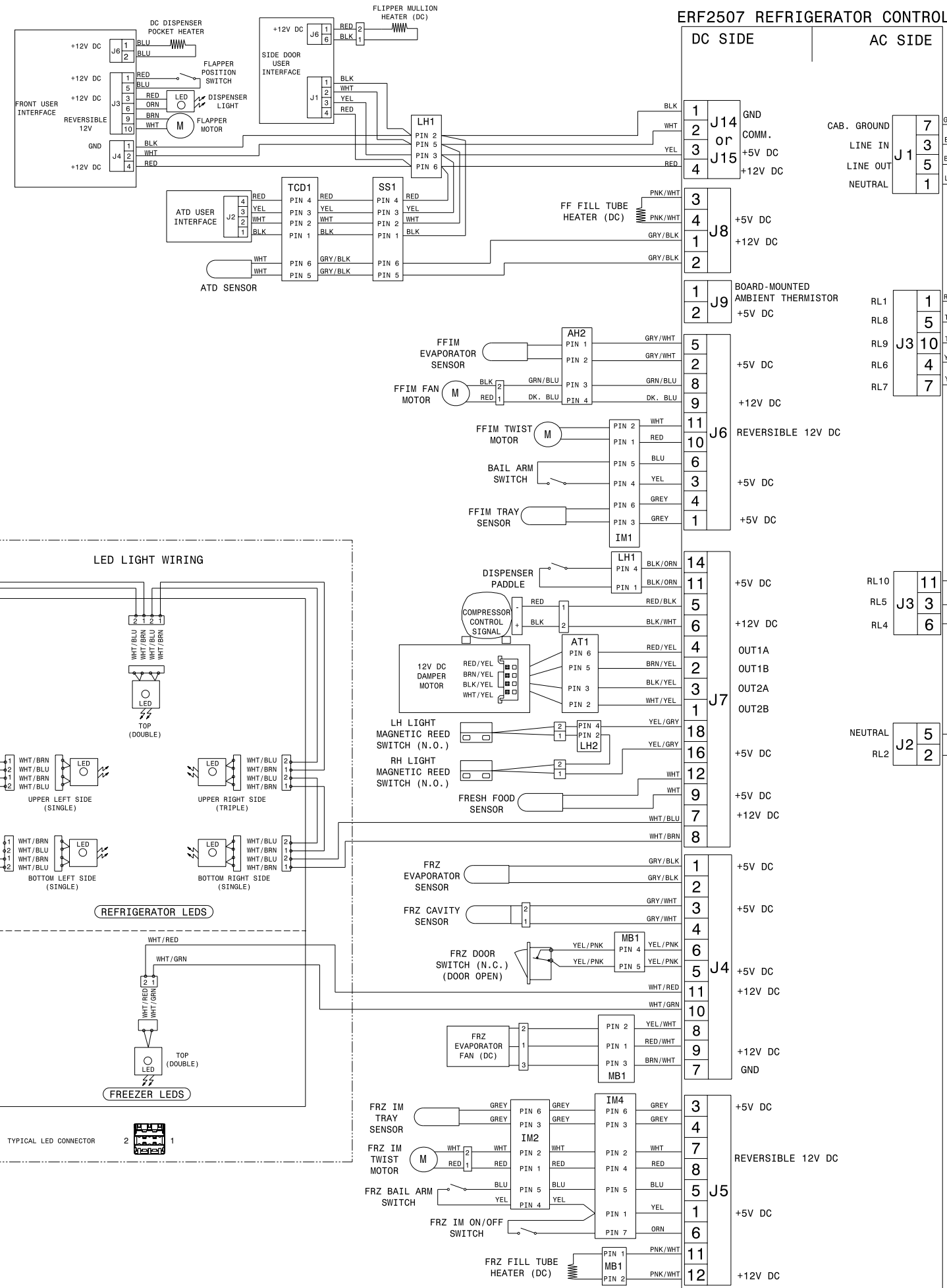
ERROR CODES		
Error Message Display	Interpretation	
1st Message	2nd Message	
Er	CE	Communication Error UI to Main Board
dl	SP	Chute Flapper Error - Flapper not Closed
Er	t1	FRZ Temp Sensor Opened/Shorted
	t2	FRZ Defrost Sensor Open/Shorted
	t3	FF Temp Sensor Opened/Shorted
	t5	ATD Temp Sensor Opened/Shorted
	t6	FF IM Tray Temp Sensor
	t7	FF IM Defrost Sensor Opened/Shorted
	t8	FRZ IM Temp Sensor

SPECIAL MODES			
Mode	Display	Activate	Deactivate
Manual Defrost	dF	Hold + and Air Filter for 10 secs	---
IM Fill Time Menu*	Settings will appear on UI	Hold FREEZE BOOST and ICE MAKER for 10 secs	After 10 secs of no activity
Demo/Showroom	Demo Light On	Hold - and WATER FILTER for 10 secs	
Sabbath	Sb	Hold - and Temp F-C for 5 secs	
System Diagnostics	Refer to Systems Diagnostics Table	Hold - and + for 10 secs	
°F/°C Display	°F or °C	Press Temp F-C to alternate between °F and °C	

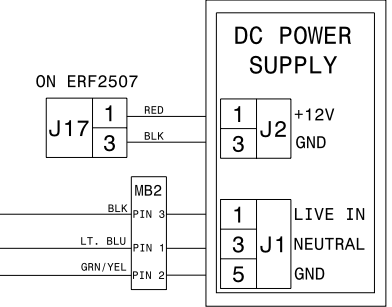
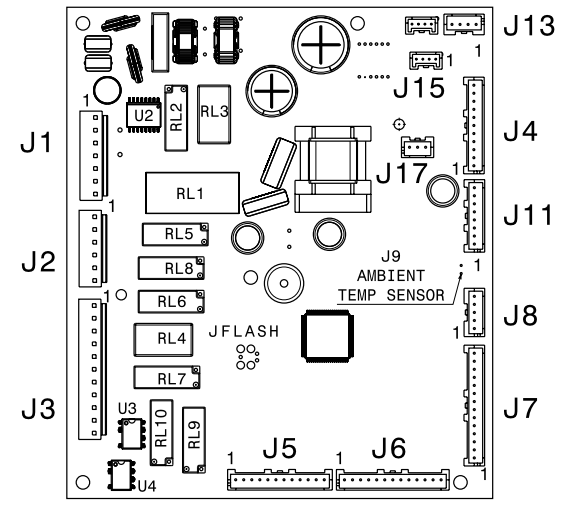
* Both the FF IM and FRZ IM will have the same fill adjustment, there is no option for separate fill times

ERF2507 REFRIGERATOR CONTROL

DC SIDE | AC SIDE



BOARD VIEW J14



INLINE CONNECTOR ABBREVIATION KEY			
ABBR.	EXPLANATION	ABBR.	EXPLANATION
AT1	9 PIN CONNECTION AT AIR TOWER	WV1	6 PIN CONNECTION IN THE MACHINE COMPARTMENT TO THE RIGHT OF THE CONDENSER
AH1	5 PIN CONNECTION IN FRESH FOOD ICEMAKER COMPARTMENT	MC1	10 PIN CONNECTION IN THE MACHINE COMPARTMENT TO THE LEFT OF THE COMPRESSOR
AH2	4 PIN CONNECTION IN FRESH FOOD ICEMAKER COMPARTMENT	SS1	10 PIN CONNECTION IN THE LEFT DELI SIDE SUPPORT
IM1	6 PIN CONNECTION IN FRESH FOOD ICEMAKER COMPARTMENT	TCD1	6 PIN CONNECTION IN SIDE SUPPORT
IM2	6 PIN CONNECTION INSIDE FREEZER ICEMAKER HOUSING	MB1	4 PIN CONNECTION IN THE MAIN CONTROL BOARD HOUSING
IM3	9 PIN CONNECTION IN TOP OF FREEZER ICEMAKER HOUSING	MB2	3 PIN CONNECTION IN THE MAIN CONTROL BOARD HOUSING
LH1	6 PIN CONNECTION AT THE LEFT DOOR UPPER HINGE	DF1	3 PIN CONNECTION BEHIND THE FRZ EVAPORATOR COIL COVER
LH2	4 PIN CONNECTION AT THE LEFT DOOR UPPER HINGE		

