

PURBF52SS1

Beverage & Wine Center | FRENCH DOOR DUAL ZONE

YALE
APPLIANCE



EPC
TECHNOLOGY



QUIET
OPERATION



ECO - MODE



OPEN DOOR
ALARM



CON-
CEALED



HIGH
EFFICIENCY

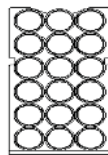
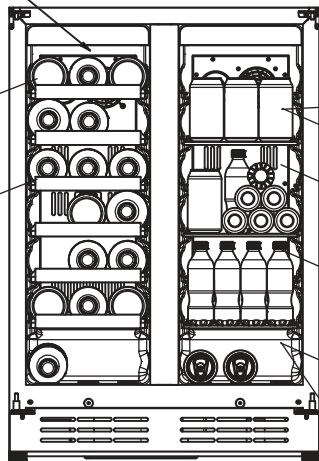
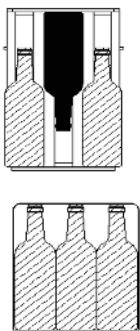
EXCLUSIVE
PLUS FEATURES

A paradigm of sophisticated design and seamless construction, PURBF52SS1 is your best ally when preserving the freshness of your beverages. Dual Compartments and Dual Cooling zones, offer the elegance of a wine cellar, fused with the convenience of a beverage center.

It holds up to 60 cans (12oz) within the Beverage Zone and up to 21 bottles of wine (21oz) in the Wine Zone. Optimum preservation is ensured thanks to the natural Beechwood shelves, highest quality components that reduce vibration, plus Perfect Climate technology (EPC) that maintains consistent and even temperature distribution.

STORAGE CAPACITY

COOLING ZONE 2 - WINES
MAX CAPACITY: 3 BOTTLES OF WINE
(25 oz) PER RACK

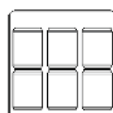


COOLING ZONE 1 - BEV Upper Rack
MAX CAPACITY: 18 CANS (12 oz)

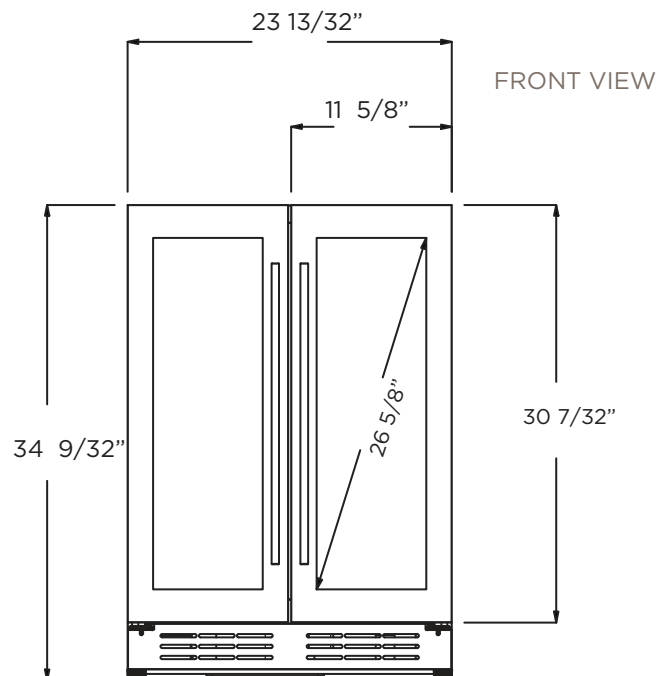
COOLING ZONE 1 - BEV Middle Rack
MAX CAPACITY: 18 CANS (12 oz)

COOLING ZONE 1 - BEV Bottom Rack
MAX CAPACITY: 18 CANS (12 oz)

COOLING ZONE 1 - BEV Bottom Part
MAX CAPACITY: 6 CANS (12 oz)



TOTAL MAX CAPACITY: 21 BOTTLES + 60 CANS
*Do not exceed Max Capacity, avoid product damage
and loosing warranty validation



PURBF52SS1

Beverage & Wine Center | FRENCH DOOR DUAL ZONE



PRODUCT DESCRIPTION		DOOR	
Width	24"	Door Handle	Tubular
Dimensions	23 13/32" W x 34 13/16" H x 22 13/32" D	Door Tempered Glass	Tinted Dual Pane, Low-e Argon-filled
Weight	117 lbs	Reversible Door	No
Installation Type	Built-in and Free Standing	ELECTRICAL SPECIFICATIONS	
Refrigerant Type	R600a	Compressor Brand	Embraco
Volume	4.8 cu ft (135L)	Min. Circuit Required	15 A
Sound Level	39 dBA	AC Power	110-120V/60HZ
Door Finish	304 Stainless Steel + Tempered Glass	Amperage	0.95 A
Cabinet Finish	Black	Plug Type	B
Interior Finish	Black	OTHER FEATURES	
Hinge Design	Concealed	Superior Full Extension Racks	
Lighting	3 Level White LED	Beverage Shelving made of Tempered Glass	
Controls	Capacitive Touch with Display with white numbers	Premium Beechwood Wine Racks	
		White LED Lights with 3 level KELVIN shade adjustment	
COOLING ZONE 1 - BEVERAGES		Anti Vibration Technology	
Total Capacity	> 60 Cans (12 oz)	Double Panel Tempered Glass Door, UV coated	
Temperature Range	34 to 68 °F	Sabbath Mode	
Shelving	3 Adjustable Tempered Glass Shelves with metal front trim	Stylish look with tubular handle	
		Carbon Filter Replacement	ACC00114-1
COOLING ZONE 2 - WINES		KITS	
Total Capacity	21 Bottles of Wine (25 oz)	PRO Handle	ACC0175505
Temperature Range	34 to 68 °F	WARRANTY	
Shelving	6 Pieces Beechwood Shelves with Metal Front Trim	1 Year Parts and In-Home Labor Warranty.	

LINE DRAWING

