

PURBS51SS1

Beverage Center | SINGLE DOOR SINGLE ZONE



EPC
TECHNOLOGY



QUIET
OPERATION



ECO - MODE



OPEN DOOR
ALARM



CON-
CEALED



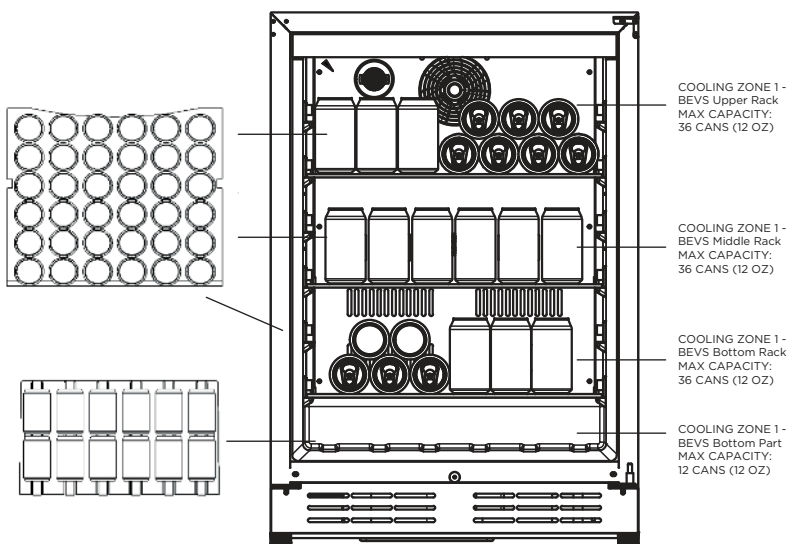
HIGH
EFFICIENCY

EXCLUSIVE
PLUS FEATURES

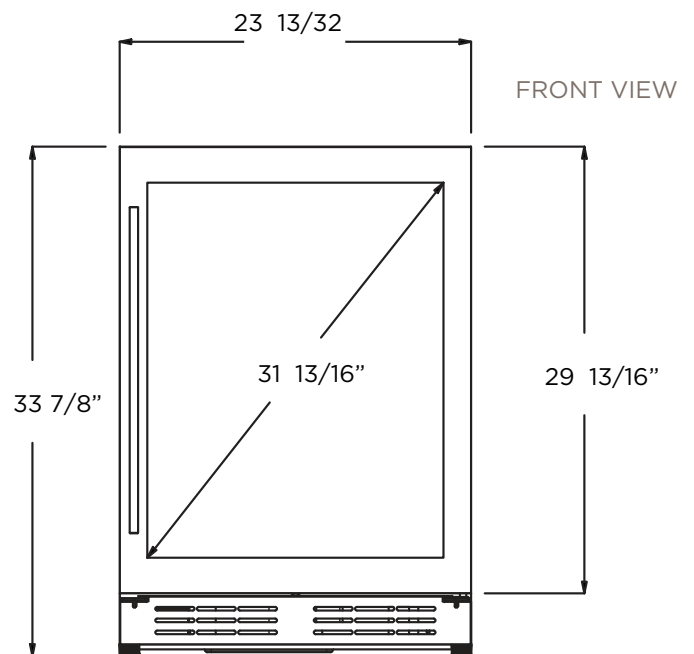
PURBS51SS1 creates the dream conditions for your favorite seltzer drinks. This 24" undercabinet refrigerator has the capacity to fit up to 120 cans (12oz). Featuring 3 adjustable slide out Tempered Glass shelves, 304 Stainless Steel

frame with double layered UV resistant glass door and an exclusive concealed hinge design that delivers a more refined appear and tighter fit within cabinetry.

STORAGE CAPACITY



TOTAL MAX CAPACITY: 120 CANS (12 oz).
*Do not exceed Max Capacity, avoid product damage and losing warranty validation



PURBS51SS1

Beverage Center | SINGLE DOOR SINGLE ZONE



PRODUCT DESCRIPTION		ELECTRICAL SPECIFICATIONS	
Width	24"	Compressor Brand	Embraco
Dimensions	23 13/32" W x 33 13/16" H x 23 5/8" D	Min. Circuit Required	15A
Weight	128 lbs	AC Power	110-120V/60HZ
Installation Type	Built-in and Free Standing	Amperage	0.95A
Refrigerant Type	R600a	Plug Type	B
Volume	4.8 cu ft (135L)	OTHER FEATURES	
Total Capacity	> 120 cans (12 oz cans)	Superior Full Extension Racks	
Temperature Range	34 to 65°F	Beverage Shelving made of Tempered Glass	
Sound Level	39 dBA	White LED Lights with 3 level KELVIN shade adjustment	
Door Finish	304 Stainless Steel + Glass	Anti Vibration Technology	
Cabinet Finish	Black	Double Panel Tempered Glass Door, UV coated	
Interior Finish	Black	Sabbath Mode	
Hinge Design	Concealed	Stylish look with tubular handle	
Lighting	3 Level White LED	Carbon Filter Replacement	ACC00114-1
Shelving	3 Adjustable - Slide Out-Tempered Glass Shelves with Metal front Trim (without rollers)	KITS	
		PRO Handle	ACC0175505
Controls	Capacitive Touch with Display with White Numbers		
DOOR		WARRANTY	
Door Handle	Tubular	1 Year Parts and In-Home Labor Warranty.	
Door Glass	Tinted Dual Pane, Low-e Argon-filled		
Reversible Door	Yes		

LINE DRAWING

