

PURBS52SS1

Beverage & Wine Center | SINGLE DOOR DUAL ZONE



EPC
TECHNOLOGY



QUIET
OPERATION



ECO - MODE



OPEN DOOR
ALARM



CON-
CEALED



HIGH
EFFICIENCY

EXCLUSIVE
PLUS FEATURES

A brilliant solution that meet all your needs, PURBS52SS1 24", features two different cooling zones, adjustable to different temperatures to preserve a variety of beverages and wines to their optimum freshness.

Its UV double layered tempered Glass Door shields bottles from aging, while Perfect Climate technology (EPC) ensures a consistent air flow between bottles for optimum preservation.

STORAGE CAPACITY

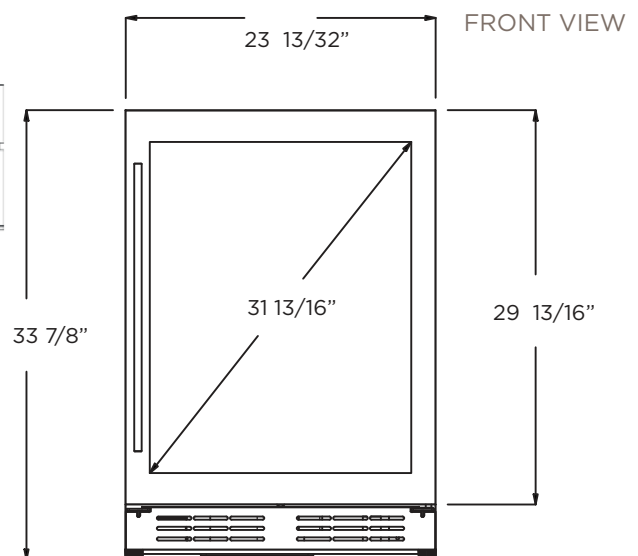
COOLING ZONE 1 -
BEVERAGES Upper Rack
MAX CAPACITY: 36 CANS (12 oz.)

COOLING ZONE 1 -
BEVERAGES Bottom Rack
MAX CAPACITY: 36 CANS (12 oz.)

COOLING ZONE 2 -
WINES Upper Rack
MAX CAPACITY: 8 BOTTLES (25 oz)

COOLING ZONE 2 -
WINES Bottom Rack
MAX CAPACITY: 6 BOTTLES (25 oz)

TOTAL MAX CAPACITY: 72 CANS + 14 BOTTLES
*Do not exceed Max Capacity, avoid product damage
and losing warranty validation



PURBS52SS1

Beverage & Wine Center | SINGLE DOOR DUAL ZONE



PRODUCT DESCRIPTION		DOOR	
Width	24"	Door Handle	Tubular
Dimensions	23 13/32" W x 33 13/16" H x 23 5/8"	Door Tempered Glass	Tinted Dual Pane, Low-e Argon-filled
Weight	128 lbs	Reversible Door	Yes
Installation Type	Built-in and Free Standing	ELECTRICAL SPECIFICATIONS	
Refrigerant Type	R600a	Compressor Brand	Embraco
Volume	4.8 cu ft (135L)	Min. Circuit Required	15 A
Sound Level	39 dBA	AC Power	110-120V/60HZ
Door Finish	304 Stainless Steel + Tempered Glass	Amperage	0.95 A
Cabinet Finish	Black	Plug Type	B
Interior Finish	Black	OTHER FEATURES	
Hinge Design	Concealed	Superior Full Extension Racks	
Lighting	3 Level White LED	Beverage Shelving made of Tempered Glass	
Controls	Capacitive Touch with Display with white numbers	Premium Beechwood Wine Racks	
		White LED Lights with 3 level KELVIN shade adjustment	
COOLING ZONE 1 - BEVERAGES		Anti Vibration Technology	
Total Capacity	72 cans (12 oz cans)	Double Panel Tempered Glass Door, UV coated	
Temperature Range	34 to 50°F	Sabbath Mode	
Shelving	2 Adjustable Slide-Out Tempered Glass Shelves	Stylish look with tubular handle	
		Carbon Filter Replacement	ACC00114-1
COOLING ZONE 2 - WINES		KITS	
Total Capacity	14 Bottles of Wine (25 oz)	PRO Handle	ACC0175505
Temperature Range	40 to 64° F	WARRANTY	
Shelving	1 Full Extension Rack of Beechwood with Metal Front Trim	1 Year Parts and In-Home Labor Warranty.	

LINE DRAWING

