

PURWS52SS1

Wine Cellar| SINGLE DOOR DUAL ZONE

YALE
APPLIANCE



EPC
TECHNOLOGY



QUIET
OPERATION



ECO - MODE



OPEN DOOR
ALARM



CON-
CEALED



HIGH
EFFICIENCY

EXCLUSIVE
PLUS FEATURES

PURWS52SS1 with dual temperature zones is designed to store a variety of quality wines and preserve them under optimal conditions. We understand in depth the importance of

maintaining the right temperature, humidity, light and low vibration to ensure the right environment for safe preservation and aging. PURWS52SS1 natural beechwood shelves are full extension for easy and safe access to each bottle.

STORAGE CAPACITY

COOLING ZONE 1 (White Wines) -
Upper Rack MAX CAPACITY: 8 BOTTLES
OF WINE (25 oz)

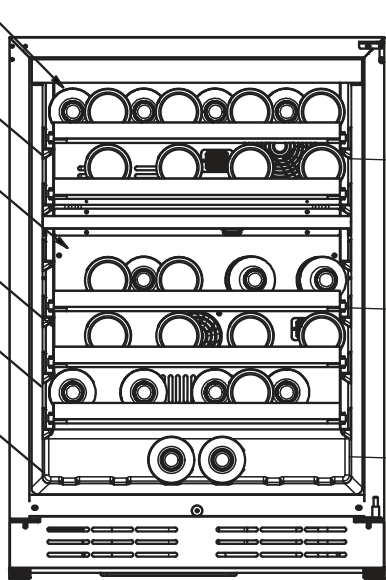
COOLING ZONE 1 (White Wines) -
Bottom Rack MAX CAPACITY: 8 BOTTLES
OF WINE (25 oz)

COOLING ZONE 2 (Red Wines) -
Upper Rack MAX CAPACITY: 14 BOTTLES
OF WINE (25 oz)

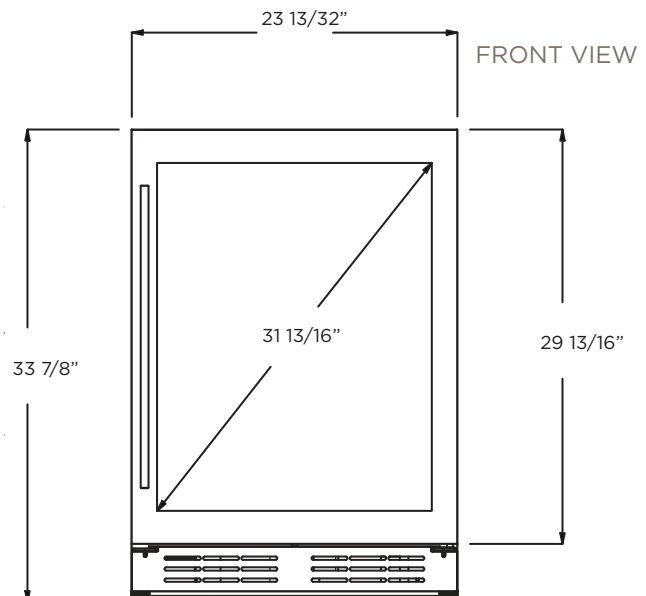
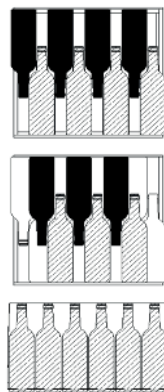
COOLING ZONE 2 (Red Wines) -
Middle Rack MAX CAPACITY: 8 BOTTLES
OF WINE (25 oz)

COOLING ZONE 2 (Red Wines) -
Bottom Rack MAX CAPACITY: 8 BOTTLES
OF WINE (25 oz)

COOLING ZONE 2 (Red Wines) -
Bottom Part MAX CAPACITY: 6 BOTTLES
OF WINE (25 oz)



TOTAL MAX CAPACITY: 52 BOTTLES OF WINE (25 oz)
*Do not exceed Max Capacity, avoid product damage
and losing warranty validation



PURWS52SS1

Wine Cellar | SINGLE DOOR DUAL ZONE



PRODUCT DESCRIPTION		DOOR	
Width	24"	Door Handle	Tubular
Dimensions	23 13/32" W x 33 13/16" H x 23 5/8" D	Door Tempered Glass	Tinted Dual Pane, Low-e Argon-filled
Weight	128 lbs	Reversible Door	Yes
Installation Type	Built-in and Free Standing	ELECTRICAL SPECIFICATIONS	
Refrigerant Type	R600a	Compressor Brand	Embraco
Volume	4.8 cu ft (135L)	Min. Circuit Required	15A
Sound Level	39 dBA	AC Power	110-120V/60HZ
Door Finish	304 Stainless Steel + Tempered Glass	Amperage	0.95 A
Cabinet Finish	Black	Plug Type	B
Interior Finish	Black	OTHER FEATURES	
Hinge Design	Concealed	Superior Full Extension Racks	
Lighting	3 Level White LED	Premium Beechwood Wine Racks	
Controls	Capacitive Touch with Display with white numbers	White LED Lights with 3 level KELVIN shade adjustment	
		Anti Vibration Technology	
COOLING ZONE 1 - WHITE WINES		Double Panel Tempered Glass Door, UV coated	
Total Capacity	16 Bottles of Wine (25 oz)	Sabbath Mode	
Temperature Range	40 to 50°F	Stylish look with tubular handle	
Shelving	2 Full Extension Racks of Beechwood with Metal Front Trim	Carbon Filter Replacement	ACC00114-1
		KITS	
COOLING ZONE 2 - RED WINES		PRO Handle	ACC0175505
Total Capacity	36 Bottles of Wine (25 oz)	WARRANTY	
Temperature Range	50 to 64° F	1 Year Parts and In-Home Labor Warranty.	
Shelving	3 Full Extension Racks of Beechwood with Metal Front Trim		

LINE DRAWING

