



ROGUE[®] SERIES

Owner's Manual

RXT425SB, RXT525, & RXT625SIB

Grills illustrated in this manual may differ from model purchased.



Visit Napoleon.com to register your grill and write a review, we want your feedback!

Apply Serial Number



CONGRATULATIONS ON YOUR NAPOLEON GRILL!

You've Just Upgraded Your Grilling Game.

WE WANT YOUR GRILLING EXPERIENCE TO BE MEMORABLE AND SAFE.

Please read and follow this Owner's Manual before using your grill to avoid property damage, personal injury, or death.

Remove all packaging material, promotional labels and cards from the grill before use.

USE OUTDOORS IN A WELL-VENTILATED SPACE

DANGER!

IF YOU SMELL GAS

- Shut off gas to the appliance
- Extinguish any open flame
- Open lid
- If odor continues, keep away from the appliance and immediately call your gas supplier, or fire department



WARNING!

Do not try to light this appliance without reading the "LIGHTING" instructions section of this manual

Do not store or use gasoline, or other flammable liquids or vapors in the vicinity of this or any other appliance

An L.P. (propane) cylinder not connected for use must not be stored in the vicinity of this or any other appliance

If the information in these instructions is not followed exactly, a fire or explosion may result and cause property damage, personal injury, or death



Alert adults and children about the hazard of hot surface temperatures. Supervise young children near the grill.

NOTICE TO INSTALLER: Leave these instructions with the grill owner for future reference.

NOTICE TO CONSUMER: Keep these instructions for future reference.

Welcome to Napoleon!

SAFETY FIRST



WARNING General Information

This grill should be installed in conformity with local codes. In absence of local codes, install to the current Natural Gas and Propane Installation Code CSA B149.1 in Canada, or the National Fuel Gas Code ANSI Z223.1/NFPA 54 in the United States.

If a rotisserie motor is used, it must be electrically grounded in accordance with local codes. In absence of local codes, follow the current Canadian Electrical Code CSA C22.1 in Canada, or the National Electrical Code ANSI/NFPA 70 in the United States.



WARNING! Installation & Assembly

Assemble this grill exactly as instructed in the Assembly Guide. If the grill was assembled in-store, review the assembly instructions to ensure it is done correctly.

Perform the required Leak Test before operating the grill.

Do not modify this grill under any circumstances.

Do not use a cylinder that is not equipped with a QCC1 type connection.

Only use the pressure regulator and hose assembly supplied with this grill or replacement parts specifically recommended by Napoleon.

WARNING! Operation

Read this entire Owner's Manual before operating this grill.

Leak Test this grill before each use, annually and when any gas components are replaced.

Follow the lighting instructions carefully.



WARNING! Storage & Disuse

Turn off gas at the propane cylinder or natural gas supply valve.

Disconnect the hose between the propane cylinder and grill.

Remove the propane cylinder and store outdoors in a well-ventilated space away from children.

DO NOT store propane cylinders in a building, garage, shed, or any other enclosed space.

Disconnect the natural gas hook-up from the supply when storing the grill indoors.



WARNING! California Proposition 65

This product can expose you to chemicals including soot, which are known to the State of California to cause cancer, and chemicals including carbon monoxide, which are known to the State of California to cause birth defects or other reproductive harm. For more information go to www.P65Warnings.ca.gov.

CONTENTS

| | |
|---|----|
| Welcome to Napoleon! | 3 |
| Safety First | |
| Full Rogue® System Features | 4 |
| Getting Started | 5 |
| Additional Safe Operating Practices | |
| Gas Connections | |
| Leak Test | |
| Operation | 9 |
| Lighting your grill | |
| Grilling Instructions | |
| How to use the Rear Burner & Rotisserie | |
| Grilling Tips | |
| How to season your cooking grids | |
| Infrared Grilling Guide | 13 |
| Cleaning Instructions | 14 |
| Maintenance Instructions | 17 |
| Combustion in air adjustment | |
| Stainless in harsh environments | |
| Troubleshooting | 19 |
| Warranty | 21 |



PHONE:
1-866-820-8686



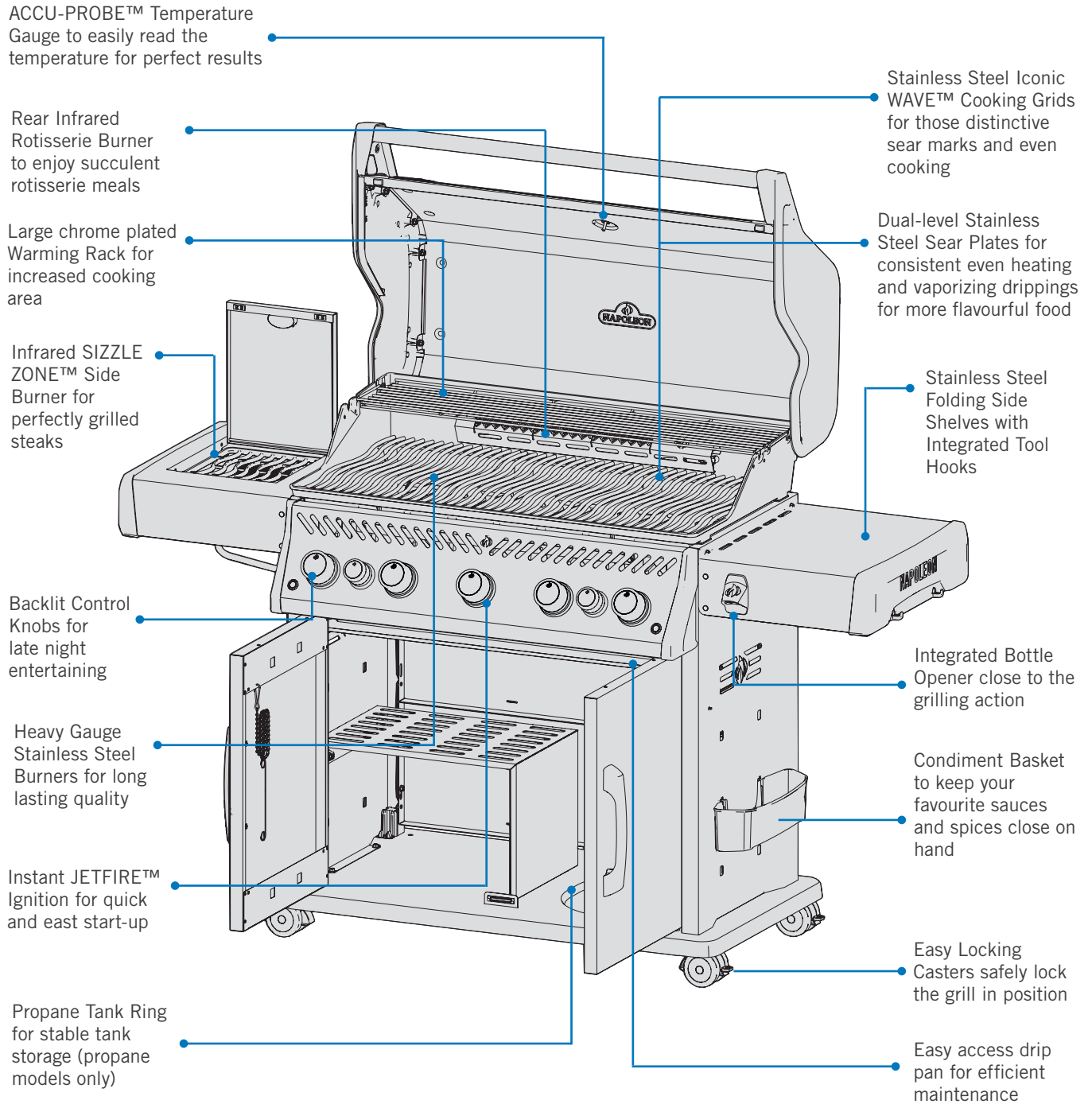
EMAIL
grills@napoleon.com



ONLINE
www.napoleon.com



Full Rogue[®] System Features



The grills illustrated in this Owner's Manual may differ from the model you purchased

Getting Started



DANGER / WARNING! Advises of a hazard that could result in a fire, explosion, death or serious physical injury.



WARNING / CAUTION! Advises of a hazard that could result in minor physical injury or property damage.



Always wear protective gloves.



Always wear safety glasses.



CAUTION! Hot surface.



Important information



Do not smoke while performing a gas leak test. Sparks or flames will cause a fire, explosion, damage to property, serious physical injury, or death.



Never use an open flame to check for gas leaks. Sparks or flames will cause a fire, explosion, damage to property, serious physical injury, or death.



DANGER! Immediately shut off the gas supply and disconnect.

ADDITIONAL SAFE OPERATING PRACTICES

- Do not route the hose underneath the drip pan. Maintain proper hose clearance to the bottom of the unit.
- Ensure sear plates are positioned properly according to sear plate installation instructions.
- Burner controls must be off when turning the propane cylinder valve on.
- Do not light burners with the lid closed.
- Do not operate the rear burner with the main burners.
- Do not close the side burner lid when operating or hot.
- Do not deep fry food on the side burner.
- Do not adjust the cooking grids when operating or hot.
- Maintenance should only be done when the grill is cool.
- Do not store lighters, matches or any other combustibles in the condiment tray.
- Keep all electrical supply cords and fuel supply hoses away from all heated surfaces.
- Clean the grease tray and sear plates regularly to avoid build-up and grease fires.
- Keep the infrared burner venturi tube free from spider webs and other obstructions by inspecting and cleaning it regularly.
- Do not allow cold water (rain, sprinkler, hose etc.) to contact the heated grill. An immediate temperature change will chip the porcelain and crack the ceramic burners.
- Do not use a pressure washer to clean any part of the gas grill.
- Do not locate this grill where it can be exposed to high winds, especially when the wind can come from directly behind the grill.
- Never cover more than 75% of the cooking surface with solid metal
- Always maintain proper clearance to combustibles 20" (508mm) to rear of unit, 7" (178mm) to sides.
- Additional clearance of 24" (610mm) is recommended near vinyl siding or panes of glass.

CAUTION! The hook-up and installation of the natural gas and hose connection must be performed by a licensed gas fitter, and leak tested before operating the grill.

CAUTION! Ensure the hoses do not contact any high temperature surfaces of the grill.

CAUTION! Do not move the grill when operating and hot.



GAS CONNECTIONS

To a propane cylinder

Only use a 20 lb. (9.1 kg) propane cylinder constructed and marked in accordance with the Specifications for LP gas Cylinders of the U.S. Department of Transportation (D.O.T.) or the Standard for Cylinders, Spheres and Tubes for Transportation of Dangerous Goods and Commission, CAN/CSA-B339, as applicable.

Only use a gas pressure regulator specified by Napoleon. The regulator must supply a pressure of 11 inches water column (0.39 psi) and have a QCC1 type fitting.

The cylinder connection device must be compatible with the connection for this outdoor appliance.

The propane cylinder must have:

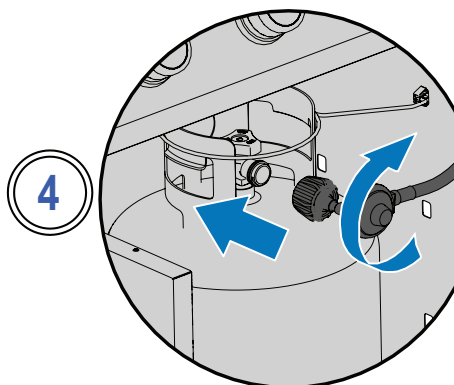
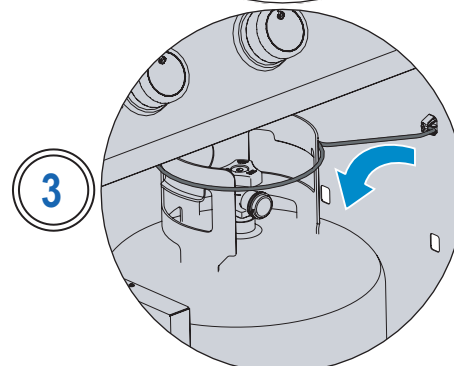
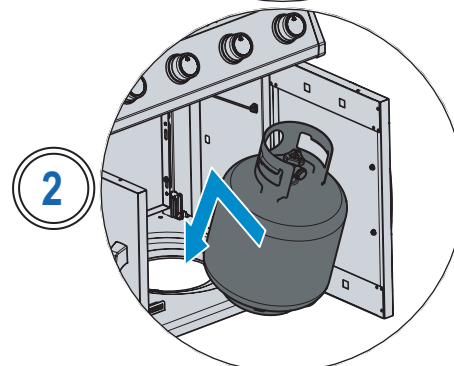
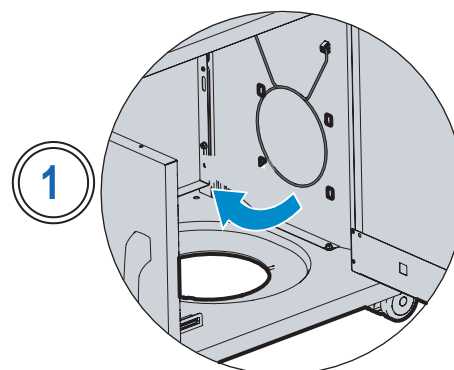
- a shutoff valve with a QCC1 connection
- a safety relief device
- a collar to protect the valve
- a listed Overfill Protection Device

Hook-up and installation

- Check the cylinder for dents or rust, and have it inspected by your propane supplier.
- Never use a cylinder with a damaged valve.
- Set cylinder into the hole in bottom of shelf. (1)
- The cylinder must fit properly into the tank retaining ring. (2)

Proper hose connection

- Ensure the gas regulator hose has no kinks.
- Clip the hose to side panel using the supplied retainer clip. (3)
- Do not route the hose in close proximity to the drip pan.
- Remove the cap or plug from the cylinder fuel valve.
- Insert the black QCC1 regulator nipple onto the QCC1 fuel valve. Hand tighten to right. Do not use tools. (4)
- Ensure the hose does not contact any high temperature surfaces of the grill because it will melt and cause a fire.
- Leak test all joints prior to operating the gas grill. See **“LEAK TEST” on page 8.**



WARNING! Do not store a spare propane cylinder under or near this gas appliance.

WARNING! Never use a propane cylinder that is beyond 80% full.

WARNING! Follow all specifications and instructions exactly to prevent fire, explosion, property damage, personal injury, or death.



To a house gas supply line

- A gas supply hose and quick disconnect designed for natural gas and certified for outdoor use are included with natural gas grills.
- Natural gas plumbing must supply a pressure of 7 inches water column pressure to the inlet of the grill.
- Piping and valves upstream of the quick disconnect are not supplied.
- The gas pipe must be sized to supply the BTU/h specified on the rating plate, based on the length of the piping run.
- See “**WARNING! General Information**” on page 3 of this manual for installation codes.

Proper hose connection

1. Hook-up to a gas supply line must be performed by a licensed gas fitter and leak tested before operating the grill.
2. Clip hose to side panel using the supplied retainer clip.
3. Do not route the hose in close proximity to the drip pan or over top of the back panel.
4. Ensure the hose does not contact any high temperature surfaces.

Quick disconnect

- Do not install the quick disconnect in an upward direction.
- A readily accessible manual shut-off valve must be installed upstream of the quick disconnect, and as close to it as possible.
- Connect the flared end of the hose to the fitting on the end of the manifold tube or flex tube (if applicable).
- Tighten using two wrenches. Do not use thread sealer or pipe dope.
- Leak test all joints prior to operating the gas grill. See “**LEAK TEST**” on page 8.

BE CAREFUL



The lid of the grill and the entire firebox can become very hot when in use.

WARNING! Disconnect the grill and its individual shutoff valve from the gas supply piping system during any pressure testing in excess of ½ psi (3.5 kPa).

WARNING! Close the individual shutoff valve to isolate the grill from the gas supply piping system during any pressure testing equal to or less than ½ Psi (3.5 kPa).

WARNING! Check the hose for evidence of excessive abrasion, melting, cuts or cracks. If the hose is damaged, it must be replaced with an assembly specifically recommended by Napoleon.

WARNING! Follow all specifications and instructions exactly to prevent fire, explosion, property damage, personal injury, or death.



LEAK TEST

Why and When to Leak Test?

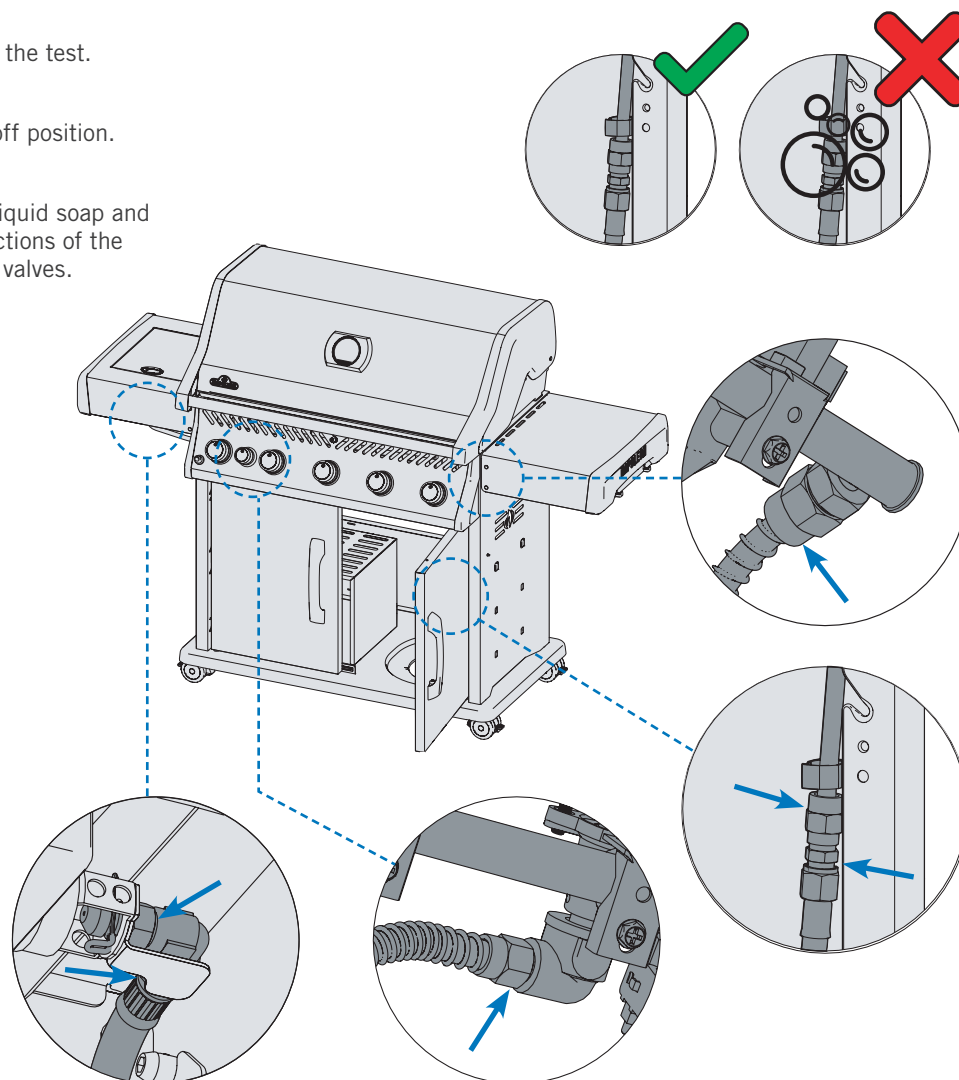
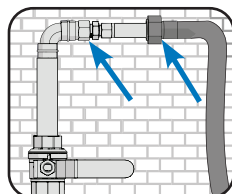
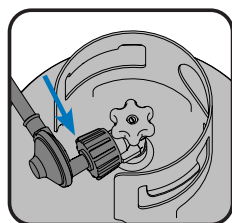
A leak test confirms no gas is escaping after you connect the hose to the gas supply.

Each time the tank is refilled and reinstalled, ensure that there are no leaks in the fitting where the regulator connects to the tank.

Leak test this grill before use, annually, and when any gas components are replaced.

Leak Test Steps

1. Do not smoke while performing the test.
2. Remove all sources of ignition.
3. Turn all burner controls to the off position.
4. Turn the gas supply valve on.
5. Brush a half-and-half solution liquid soap and water onto all joints and connections of the regulator, hose, manifolds, and valves.
6. Bubbles indicate a gas leak.



WARNING! Never use an open flame to check for gas leaks. Sparks or flames will cause a fire, explosion, damage to property, serious physical injury, or death.

WARNING! Only use the pressure regulator and hose assembly supplied with the grill.



Operation

LIGHTING YOUR GRILL

Is it the very first time? Perform a Burn-off

Run the main burners on high for 30 minutes. It is normal for the gas grill to emit an odor the first time it is lit. This odor is caused by the “burn-in” of internal paints and lubricants used in the manufacturing process and will not occur again.

Main Burner Lighting

1. Open grill lid.
2. Push and slowly turn any main burner knob counter clockwise to HIGH position until pilot lights. Continue to push down on the control knob until the burner lights and then release.
3. If the pilot does not light – immediately turn the control knob clockwise to the OFF position. Repeat step 2.
4. If the pilot and burner will not light in 5 seconds – turn the control knob clockwise to the OFF position. Wait 5 minutes for gas to dissipate. Repeat steps 2 and 3, or light with a match.

Rear Burner Lighting (if equipped)

1. Open grill lid.
2. Remove warming rack.
3. Push and slowly turn rear burner knob counter clockwise to HIGH position.
4. Press and hold igniter button until the burner lights, or light by match.
5. If the burner will not light – turn burner control knob clockwise to the OFF position. Wait 5 minutes. Repeat step 4.

(Fig. 1)

Side Burner Lighting (if equipped)

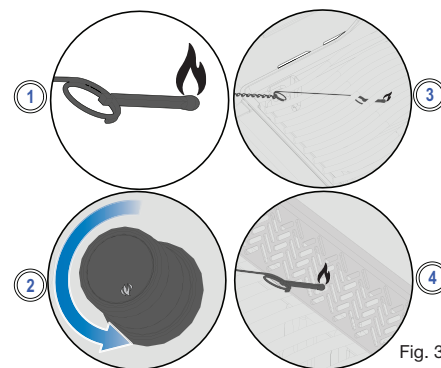
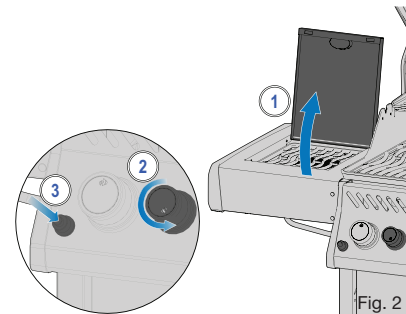
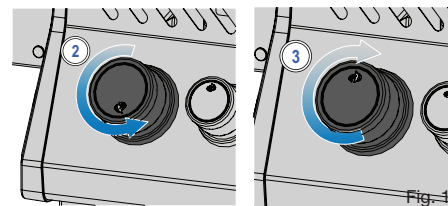
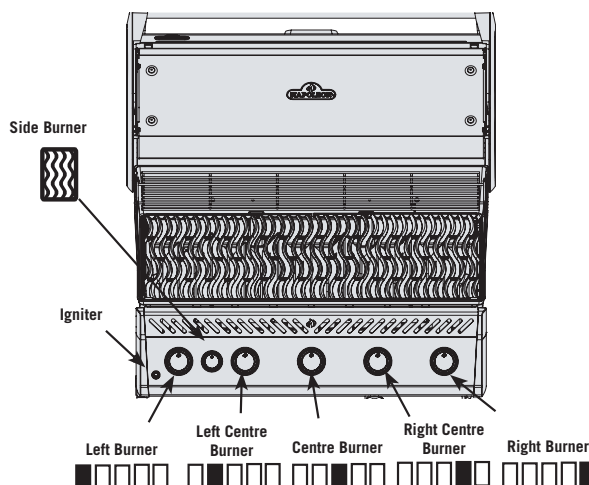
1. Open burner cover.
2. Push and slowly turn side burner knob counter clockwise to HIGH position.
3. Press and hold igniter button until the burner lights, or light by match.
4. If the burner will not ignite – turn burner control knob clockwise to the OFF position. Wait 5 minutes. Repeat step 3.

(Fig. 2)

Lighting with a match

1. Clip the match into the supplied lighting rod.
2. Insert the lit match through the cooking grids and sear plates
3. while turning the corresponding burner knob to high.

(Fig. 3)



WARNING! Follow the lighting instructions carefully.

WARNING! Do not store lighters, matches or any other combustibles in the condiment tray.

WARNING! Do not adjust the cooking grids while the grill is hot, or operating.



WARNING! Make sure the lid of the grill is OPEN while igniting.

WARNING! Ensure all burner controls are in the OFF position before slowly turning on gas supply valve.

WARNING! Do not use the rear burner while operating the main burner.



GRILLING INSTRUCTIONS

Main Burner Use

- Preheat the grill before searing food by operating all main burners on high with the lid closed for approximately 10 minutes.
- Food cooked for only a short time such as fish and vegetables can be grilled with the lid open.
- Grilling with the lid closed ensures higher and consistent temperatures that cook meat more evenly and can reduce cooking times.
- The cooking grids can be oiled before pre-heating to reduce sticking when grilling lean meat such as chicken breast, or pork.
- Food that takes longer than 30 minutes such as roasts can be cooked indirectly with the burner lit opposite the food. See Indirect Grilling.
- Trim excess fat off meat to prevent flare-ups, or reduce the temperature of the grill.
- Flare ups – move food away from the flames and reduce the heat. Leave the lid open.

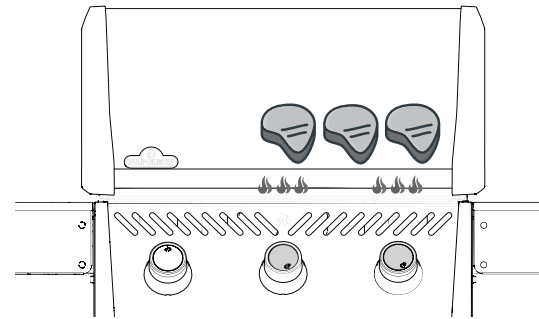
Direct Grilling

This method is often used for searing, or food cooked for only a short time such as hamburgers, steaks, chicken, or vegetables.

Place food on the cooking grids directly over the heat.

Sear meat first to trap-in the juices and flavor.

Lower the grill temperature to finish cooking to your preference.



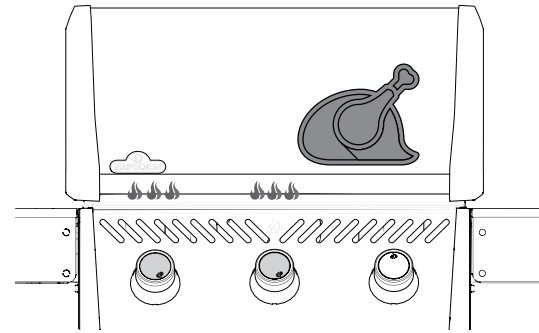
Indirect Grilling

This method uses lower temperatures and circulates heat around the food cooking it slowly and evenly.

Use this method to cook larger cuts of meat, or food prone to flare-ups such as roast, chicken, or turkey.

Turn one or more burners on and place food on the cooking grid where there is no flame, or burner on.

Grilling at a lower temperature and slower cooking time results in more tender meats.



Flame Side Burner (if equipped)

The flame side burner can be used like a stove top to make gravy or soups.

The recommended pot or pan diameter is 10" (25 cm)

Be sure your grill is in a location protected from the wind, or the performance of the side burner will be affected.

Grilling at night

Illuminate the control knobs by pushing the lightbulb icon on the control panel.

GRILLING PRO TIP!

Add a Napoleon smoker accessory to your grill to flavor your meat.

GRILLING PRO TIP!

Use a thermometer to check the internal temperature of meat to ensure it is cooked perfectly

WARNING! Never grill food directly on the flame side burner. It is designed for use with pots and pans only.

WARNING! Do not close side burner lid while it is operating or hot.

WARNING! Do not deep fry food on the side burner. Cooking with oil can be dangerous.

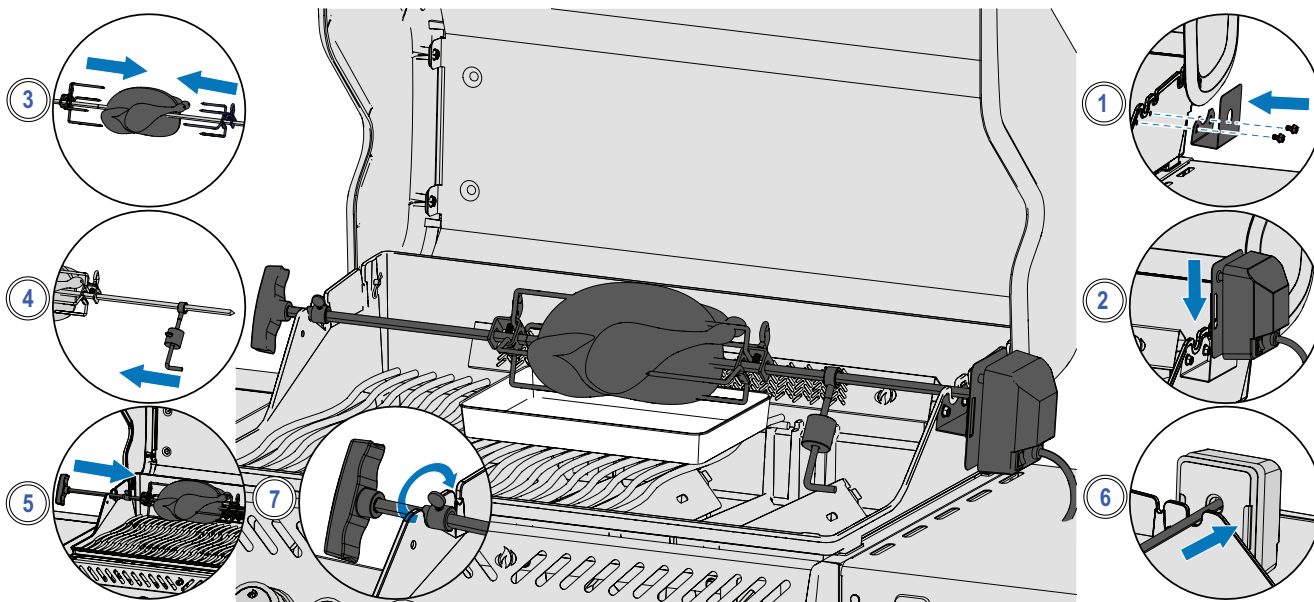
WARNING! Regularly clean grease out of the entire unit, including the grease tray and the sear plates, to avoid build-up and grease fires.



HOW TO USE THE REAR BURNER & ROTISSERIE (IF EQUIPPED)

Using the rear burner and spit rod

1. Remove the warming rack prior to using the rear burner and spit rod. Extreme heat will damage the warming rack.
2. Remove the rotisserie motor from the gas grill.
3. Install the rotisserie motor on the applicable brackets. Thread the meat you're cooking onto the spit rod along with the rotisserie fork. Slide the meat into the rotisserie fork to hold in place.
4. Slide the second rotisserie fork onto the opposite end of the spit rod and push into other end of meat until secure.
5. Slide the counterbalance onto the spit rod.
6. Hang the spit rod across the hangers. The heavy side of the meat will naturally hang down.
7. Tighten the counterbalance arm and weight, so the arm is facing up.
8. Slide the counterweight accordingly to balance the load, and tighten in place.
9. Reinstall motor. Begin cooking.
10. Place a metal dish under the meat to collect the drippings.



Tips about using the rotisserie:

- Operate the rear burner on high until the meat browns. Reduce heat. Keep lid closed. Cook thoroughly.
- Use a thermometer to check the internal temperature of the meat.
- Roasts and poultry should brown on the outside and stay tender on the inside.
- Use drippings to baste and make gravy.
- A 3-pound chicken takes approximately 1 ½ hours on medium to high.

How to cook up to 3 chickens

1. Tie or skewer wings to the body of the chickens.
2. Thread rotisserie fork onto spit rod.
3. Thread first chicken onto spit rod until it is held into place by the rotisserie fork. Tighten.
4. Thread next 2 chickens onto spit rod so all the chickens are close together.
5. Thread second rotisserie fork onto spit rod and push into chicken until all 3 chickens are squeezed together tightly. Tighten.

DID YOU KNOW?

You can remove the cooking grids if they interfere with cooking larger cuts of meat.

WARNING! Barbecue sauce and salt can be corrosive and will cause rapid deterioration of the gas grill components unless cleaned regularly.

WARNING! Disassemble rotisserie components when finished cooking, wash with warm soapy water, and store indoors.

WARNING! Use heat resistant grilling gloves when handling the hot rotisserie components.



GRILLING TIPS

Every time you grill checklist

- Read Owner's Manual**

Be sure to have read the owner's manual and all the safety instructions.

- Clean grease tray**

Always ensure you clean the grease tray prior to grilling to avoid fires and flare-ups.

- Check the hose**

Ensure the gas grill is off and cool. Check the hose for evidence of excessive abrasions, or cuts. Have the hose replaced before use if the hose is damaged.

- Preheat and clean grids**

Coat entire surface of grids with vegetable shortening NOT salted fats like butter or margarine. Preheat your grill to burn off excess residue. Clean grids with a brass wire brush. See Cleaning Instructions section.

NOTE: Stainless steel cooking grids are durable and corrosion resistant and require less seasoning and maintenance than cast iron grids.

- Prep area**

Make sure everything you need while grilling such as your utensils, seasonings, sauces, and dishes are within your reach. Don't leave your food unattended, or it could burn.

- Don't peek and flip once**

Try not to open the lid and peek too much, or heat will escape and throw your temperature and cooking times off. Flip your food only once, especially steak and chicken.

- Leave space**

Leave some space on the grill and between food, so you have room to move food around if you need to.

- Use a thermometer**

Use a thermometer to ensure food is cooked thoroughly. Follow the appropriate temperatures guidelines for all types of meat, especially poultry.

GRILLING PRO TIP!



Get inspired to create delicious meals from the recipes and grilling techniques at www.napoleon.com and Napoleon's cookbooks

GRILLING PRO TIP!










Always preheat the grill before cooking to burn off leftover residue and prevent food from sticking to the grate.

HOW TO SEASON YOUR COOKING GRIDS

1. Use a soft cloth to coat cooking grids with vegetable shortening, NOT salted fats like butter or margarine.
2. Place seasoned grids in the grill.
3. Close lid and turn burner controls to MEDIUM.
4. Allow to heat for 30 minutes.
5. Turn all burner controls to the OFF position. Turn off the gas at source.
6. Let the grids cool.

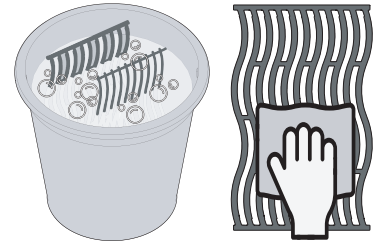
Infrared Grilling Guide

| FOOD | CONTROL KNOB SETTING | COOKING TIME | SUGGESTIONS |
|---|---|------------------------------------|--|
|  Steak 1 inch (2.54 cm) thick | HIGH – 2 minutes each side | Rare – 4 minutes | Ask for marbled fat in cut. Fat is a natural tenderizer and keeps meat juicy. |
| | HIGH to MEDIUM – High heat 2 minutes each side then turn to medium heat | Medium – 6 minutes | |
| | | Well done – 8 minutes | |
|  Hamburger ½ inch (1.27 cm) thick | HIGH – 2 minutes each side | Rare – 4 minutes | Keep patties all the same thickness for equal cooking times. Patties 1 inch thick or more should be grilled using indirect heat. |
| | HIGH – 2 ½ minutes each side | Medium – 5 minutes | |
| | HIGH – 3 minutes each side | Well done – 6 minutes | |
|  Chicken | HIGH, MEDIUM, LOW – 2 minutes each side then medium-low to low heat | 20 – 25 minutes | Slice joint connecting the thigh and leg ¾ through for the meat to lie flat on the burner and cook evenly. |
|  Pork Chops | MEDIUM | 6 minutes each side | Choose thick cuts for more tender meat. Trim off excess fat. |
|  Spare Ribs | HIGH to LOW – High for 5 minutes then low until finished | 20 minutes each side turning often | Choose lean meaty ribs. Grill until meat pulls easily from the bone. |
|  Lamb Chops | HIGH to MEDIUM – High for 5 minutes then Medium until finished | 15 minutes each side | Choose thick cuts for more tender meat. Trim off excess fat |
|  Hot dogs | MEDIUM to LOW | 4 – 6 minutes | Select larger wieners and slit lengthwise before grilling |

Cleaning Instructions

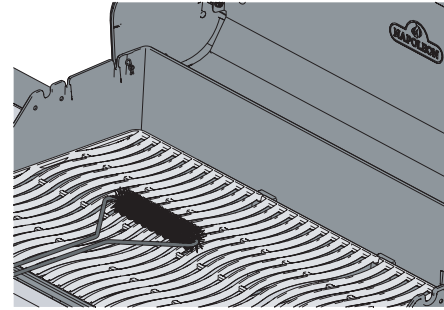
First time use

1. Wash grids by hand with water and mild dish soap to remove any residue from the manufacturing process. DO NOT wash in a dishwasher.
2. Rinse thoroughly with hot water and dry completely with a soft cloth to prevent moisture from entering the cast iron.



Cast Iron grids

- Coat the entire surface of the grids with vegetable shortening NOT salted fats like butter or margarine.
- Preheat your grill to burn off excess residue.
- Clean grids with a brass wire brush.
- Steel wool can be used for stubborn stains. Use heat resistant grilling gloves when handling hot grids.
- Season your grids to add a protective coating to prevent corrosion. See Grilling Tips – How to season your grill.

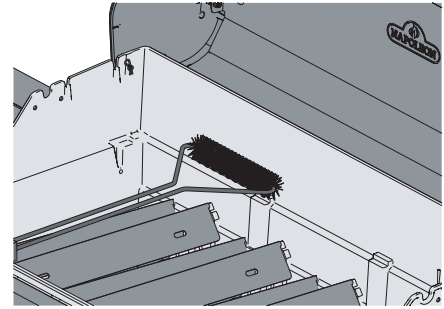


Stainless Steel Grids

- Stainless steel cooking grids can be cleaned by preheating the grill and using a wire brush to remove residue.
- Stainless steel grids will permanently discolor from regular use because of high temperatures when grilling.

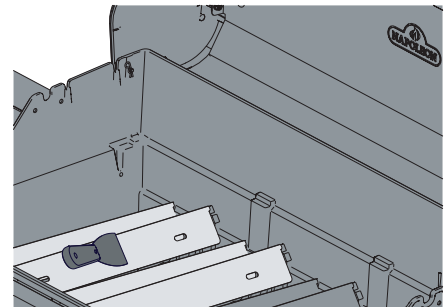
Infrared side burner

- Most drippings and food particles that fall on the infrared burner surface incinerates immediately because of the high intensity heat.
- Do not clean the ceramic tile with a wire brush.
- Do not use water or other liquids to clean the burner. An immediate change in temperature will cause cracking of the ceramic tile.
- Light burner and operate on high for 5-10 minutes to remove any left-over residue.



Inside of the grill

1. Remove the cooking grids.
2. Use a brass wire brush to clean loose debris from the casting sides and underneath the lid.
3. Scrape the sear plates with a putty knife or scraper. Use a wire brush to remove the ash.
4. Remove the sear plates and brush debris from the burners with a wire brush.
5. Sweep debris from inside the grill into the drip pan.



WARNING! Always wear protective gloves and safety glasses when cleaning your grill.

WARNING! Accumulated grease is a fire hazard.

WARNING! Cleaning should only be done when the grill is cool to avoid the possibility of burns.



Drip pan

- Grease and excess drippings collect in the drip pan located beneath the grill and accumulate in the disposable grease tray below the drip pan.
- Never line the drip pan with aluminum foil, sand or any other material. This can prevent grease from flowing properly.
- Clean frequently to avoid grease build-up – approximately every 4-5 uses

Cleaning steps:

1. Slide the drip pan from the grill to access the disposable grease tray or to clean the drip pan.
2. Scrape the drip pan out with a putty knife or scraper.
3. Replace the disposable grease tray every 2-4 weeks depending on grill usage.
4. See your Napoleon Grill dealer for supplies.

Control panel

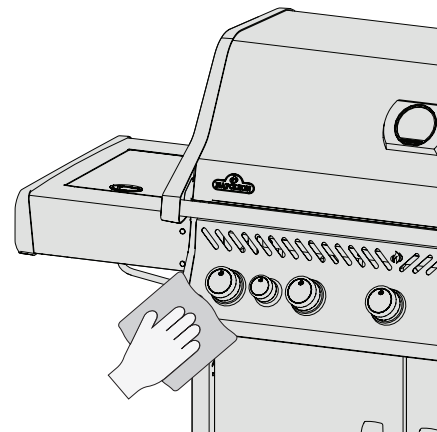
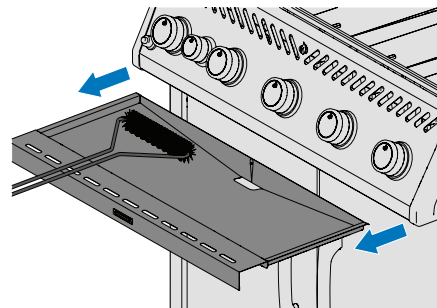
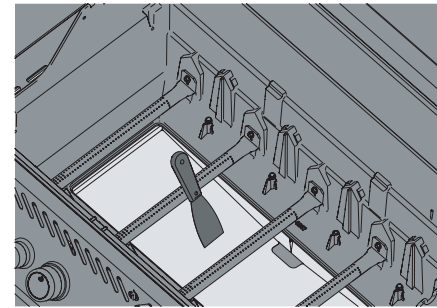
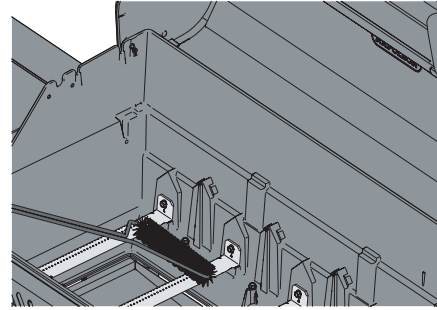
ONLY use warm soapy water or stainless steel cleaner. The control panel text is printed directly on the stainless steel and will gradually rub off if abrasive cleaners are used. Proper cleaning of the control panel will ensure text remains dark and legible.

Aluminum castings

Clean with warm soapy water. Aluminum doesn't rust, but high temperatures and weathering can cause oxidization on the surface of the castings that look like white spots. See Maintenance Instructions section for directions on how to repair and paint oxidized aluminium.

Outside grill surface

- Only use a stainless steel non-abrasive cleaner. Abrasive cleaners or steel wool will scratch the finish.
- Always wipe in the direction of the grain.
- Handle porcelain enamel components with care.
- The baked-on enamel finish is glass-like and will chip if struck.
- Touch up enamel is available at your Napoleon Grill dealer.
- Stainless steel parts discolor overtime when heated and will turn a golden or brown hue. This is normal and won't affect the performance of the grill.



WARNING! Ensure all burners are turned off and grill is cool before cleaning. Do not use oven cleaner to clean any part of the grill. Do not put cooking grids or any other parts of the grill in a self-cleaning oven to clean. Clean the grill in an area where cleaning solution won't harm decks, lawns, or patios.

WARNING! Barbecue sauce and salt can be corrosive and will cause rapid deterioration of the gas grill components unless cleaned regularly.



Insect screen and burner ports

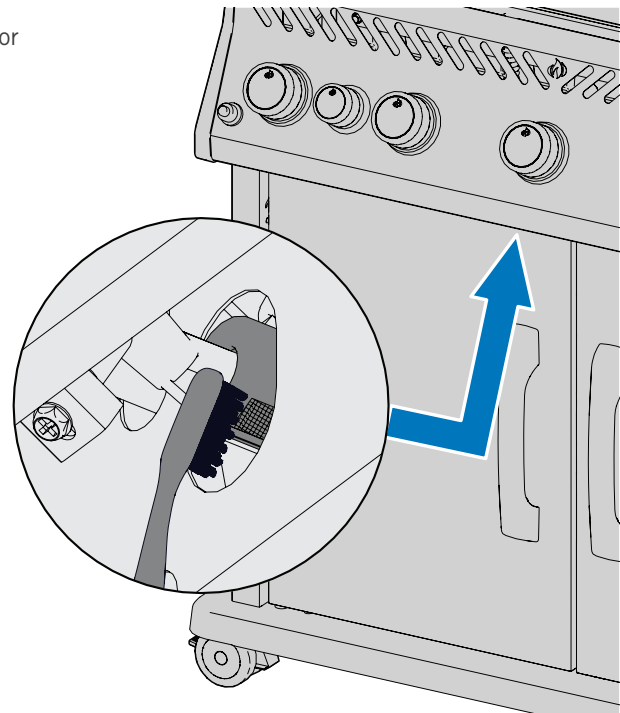
Spiders and insects are attracted to the smell of propane and natural gas. Napoleon has equipped the burner with an insect screen on the air shutter. This reduces the likelihood of insects building nests inside the burner, but doesn't eliminate the problem.

A nest or web can cause the burner flame to burn a soft yellow or orange and cause a fire or flashback at the air shutter underneath the control panel.

1. Remove the screw (s) that attaches the burner to the back wall of the gas grill. Slide the burner back and upwards to remove.
2. Use a flexible venturi tube brush to clean the inside of the burner.
3. Shake loose debris from the burner through the gas inlet.
4. Check the burner ports and valve orifices for blockages: burner ports can close over time because of cooking debris and corrosion.
5. Use an opened paperclip, or the supplied port maintenance bit to clean burner ports.
6. Drill out blocked ports using the supplied drill bit in a small cordless drill: this can be done with the burner attached to the grill, but it's easier if removed from the grill.
7. Do not flex the drill bit when drilling the ports because the drill bit will break.
8. This drill bit is for burner ports NOT for brass orifices that regulate the flow of the burner.
9. Do not enlarge the holes
10. Ensure the insect screen is clean, tight, and free of any lint or other debris.
11. Reverse the procedure to reinstall the burner.
12. Ensure the valve enters the burner when installing.
13. Replace sear plate mount and tighten screws to complete reinstallation.

SAFETY FIRST!

Always wear protective gloves and safety glasses when servicing your grill.



WARNING! It is very important the valve/orifice enters the burner tube when reinstalling the burner after cleaning and before lighting your gas grill, or a fire or explosion could occur.

WARNING! Avoid unprotected contact with hot surfaces.

WARNING! Do not use abrasive cleaners or steel wool on any painted, porcelain, or stainless steel parts of your gas grill because it will scratch the finish.

Maintenance Instructions

RECOMMENDATIONS

This grill should be thoroughly inspected and serviced annually by a qualified service person.

- Do not obstruct the flow of ventilation and combustion air.
- Keep the cylinder enclosure ventilation openings located on the side of the cart and front and back of the bottom shelf clear from debris.

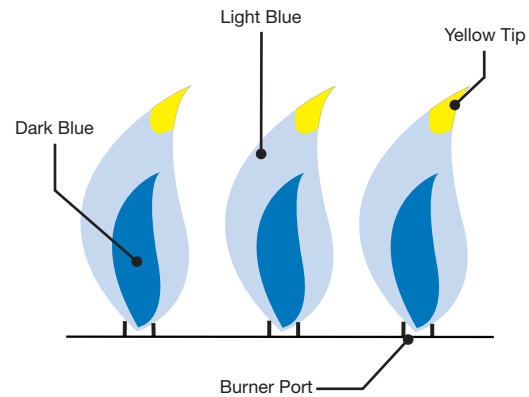
WARNING! Keep the grill away from combustible materials, gasoline, and other flammable vapors and liquids.



COMBUSTION IN AIR ADJUSTMENT

IMPORTANT! This must be done by a qualified gas installer

- The air shutter is factory set and should not require adjusting under normal conditions. Adjustments might be required under extreme field conditions.
- The flames of the air shutter will be dark blue, tipped with light blue and occasionally yellow when adjusted correctly.
- Too little air flow to the burner will produce soot and lazy yellow flames.
- Too much air flow to the burner will cause flames to lift erratically and cause igniting difficulties.



Adjusting the air shutter

1. Remove cooking grids and sear plates. Leave lid open.
2. You may have to open the cabinet door or remove the top drawer (if equipped) to access the air shutter screw located at the mouth of the burner.
3. Remove the back cover to adjust rear tube burner air shutter.
4. Loosen air shutter lock screw and open or close air shutter as required.

| Main Tube Burner | Propane | Natural Gas |
|------------------|--------------|--------------|
| RXT425 | 1/2" (13 mm) | 3/8" (10 mm) |
| RXT525 | 1/2" (13 mm) | 3/8" (10 mm) |
| RXT625 | 1/2" (13 mm) | 3/8" (10 mm) |

Note: Infrared burners have no air adjustment.

5. Light the burners on high.
6. Visually inspect burner flames.
7. Turn burners off, tighten locking screws, and replace removed parts when shutters are set correctly.
8. Ensure insect screens are installed

WE WANT TO HELP!



Contact the Napoleon Customer Solutions Department for recommended replacement parts. 1-888-721-8324.

STAINLESS IN HARSH ENVIRONMENTS

Stainless steel oxidizes or stains in the presence of chlorides and sulfides, especially in coastal regions, warm and highly humid areas, and around pools and hot tubs. These stains look like rust, but they can be easily removed or prevented. Wash stainless and chrome surfaces every 3-4 weeks.

Burner maintenance

- Extreme heat and a corrosive environment can cause surface corrosion to occur even though the burner is made from heavy wall 304 stainless steel.

Maintenance and protection of infrared burners

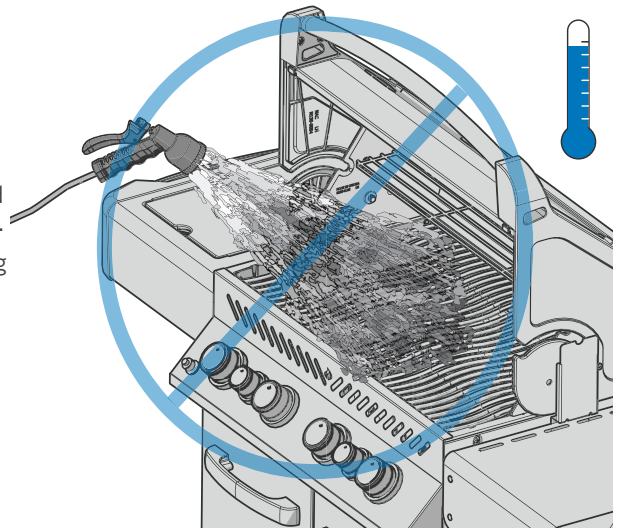
Your infrared burners are designed to provide a long service life, but you must be careful to prevent cracking of their ceramic surfaces

Fractures will cause the burners to malfunction.

! **IMPORTANT!** Damage caused by failure to follow these instructions is NOT covered by your grill warranty.

Steps to avoid damaging ceramic surfaces

1. Never douse a flame or control flare-ups with water.
2. Do not allow cold water (rain, sprinkler, hose etc.) to come in contact with hot ceramic burners. An immediate change in temperature will cause cracking of the ceramic tile.
3. A ceramic burner that becomes wet before use will create steam when operated later and produce pressure that will crack the ceramic.
4. Repeated soaking of the ceramic can cause it to swell and expand producing pressure that will make the ceramic crack and crumble.
5. Inspect the ceramic for possible water soaking if you find standing water in the grill. Remove the burner if the ceramic is wet. Turn it upside down to drain the excess water. Bring ceramic indoors to dry thoroughly.
6. Do not allow hard objects to impact the burner. Take care when inserting or removing cooking grids and using accessories.



Impaired ventilation of hot air from the grill

- Hot air must have a way to escape the grill for the burners to function properly.
- The burners can become deprived of oxygen if the hot air is not allowed to escape causing them to back-flash. The ceramic can crack if this occurs repeatedly.

Hose Maintenance

- Inspect the hose before each use. Do not use the hose if there is evidence of excessive abrasions, melting or cuts.
- If the hose is damaged, replace it with a regulator and hose assembly specifically recommended by Napoleon.

SAFETY FIRST



Never cover more than 75% of the cooking surface with solid metal i.e. griddle or large pan.

WARNING! Turn off gas at the source and disconnect the unit before servicing.

WARNING! Maintenance should only be done when the grill is cool to avoid the possibility of burns.

WARNING! A leak test must be performed annually and when any component of the gas train is replaced, or when the smell of gas is present.



Troubleshooting

Lighting problems

- Main, rear or side burners will not light with the igniter, but will light with a match.
- Burners will not cross light each other

| | Possible causes | Solution |
|-----------------------|---|--|
| Main Burner | JETFIRE™ outlet is dirty or clogged | Clean JETFIRE™ outlet with a soft bristle brush. |
| | Dirty or corroded cross light brackets. | Clean or replace as required. |
| Rear and Side Burners | Dead battery, or installed incorrectly. | Remove the exhausted battery from the product and replace with 1 (one) premium heavy-duty battery. Note: One battery was included with your grill. Batteries must be inserted with the correct polarity. Non-rechargeable batteries are not to be recharged. |
| | Loose electrode wire, or switch terminal wires. | Check electrode wire is firmly pushed onto the terminal on the back of the igniter. Check the lead wires from the module to the ignition switch (if equipped) are firmly pushed onto their respective terminals. |
| | Lifting flames on burner. | Close air shutter according to Maintenance Instructions-Combustion Air Adjustment section in this Owner's Manual. IMPORTANT! This must be done by a qualified gas installer. |

Infrared burner flashes back.

- During operation the burner abruptly makes a loud whoosh sound, followed by a continuous blow-torch type sound and grows dim.

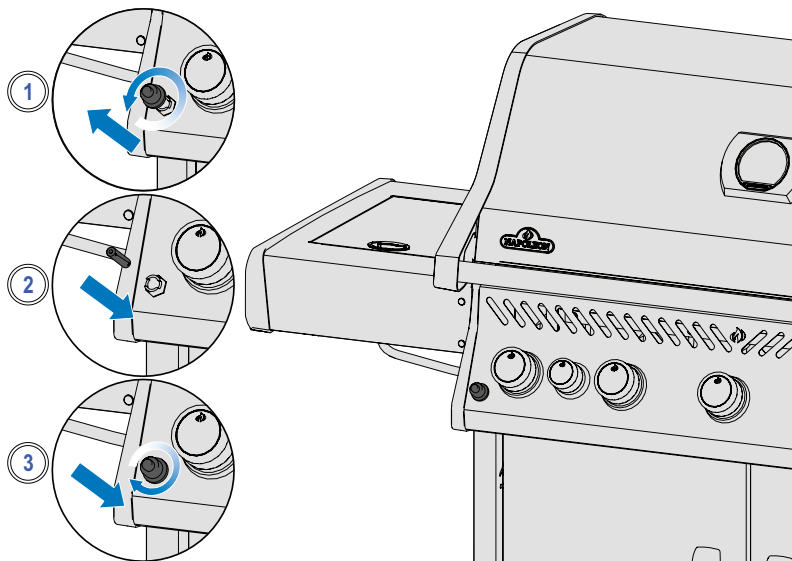
| Possible causes | Solution |
|---|---|
| Ceramic tiles overloaded with grease drippings and build-up. Ports are clogged | Turner burner OFF and allow to cool for at least 2 minutes. Reignite burner and burn on HIGH for at least 5 minutes, or until the ceramic tiles are evenly glowing red. |
| Burner overheated because inadequate ventilation. Too much grill surface covered by griddle or pan. | Ensure no more than 75% of the grill surface is covered by objects or accessories. Turn burner OFF and allow to cool for at least 2 minutes. Reignite. |
| Leaking gasket surrounding the ceramic tile, or a weld failure in the burner housing. | Allow burner to cool and inspect very closely for cracks. Contact your authorized Napoleon dealer to order replacement burner assembly if any cracks are found. |
| Leaking gasket surrounding the ceramic tile, or a weld failure in the burner housing. | Contact your authorized Napoleon dealer for instructions on ordering a replacement burner assembly. |

WE WANT TO HELP!

Napoleon is here to ensure your grilling experience is memorable. Contact us if you require additional help.

REGISTER YOUR GRILL!

Register your grill! Go to Napoleon.com or your Assembly Guide for replacement parts instructions.



Gas flow.

- Low heat or low flame when valve is turned to high
- Burners burn with yellow flame, accompanied by the smell of gas
- Flames lift away from burner, accompanied by the smell of gas, and possible lighting difficulties.
- Burner output on HIGH, but setting is LOW. Rumbling noise and fluttering blue flame at burner surface.

| Possible causes | Solution |
|---|---|
| Propane – improper lighting procedure | Ensure lighting procedure is followed carefully. All gas valves must be in the OFF position when the tank valve is turned on. Turn tank on slowly to allow pressure to equalize. See Operation – Lighting Instructions |
| Natural gas – undersized supply line. | Pipe must be sized according to installation code. |
| Leaking gasket surrounding the ceramic tile, or a weld failure in the burner housing. | Allow burner to cool and inspect very closely for cracks. Contact your authorized Napoleon dealer to order replacement burner assembly if any cracks are found. |
| Both gas propane and natural gas – improper preheating. | Preheat grill with both main burners on high for 10 to 15 minutes. |
| Possible spider web or other debris. | Thoroughly clean nest or webs out of your burner orifice by removing it and following instructions in this manual. See “INSECT SCREEN AND BURNER PORT” on page 16. |
| Improper air shutter adjustment. | Open or close air shutter slightly according to the instructions on this manual. See “ADJUSTING AIR SHUTTER” on page 17. IMPORTANT! This must be done by a qualified gas installer. |
| Lack of gas | Check gas level in propane cylinder. |
| Supply hose is pinched. | Reposition supply hose as necessary. |
| Propane regulator in low flow state. | Ensure igniting procedure is followed carefully. All gas valves must be in the OFF position when the tank valve is turned on. Turn tank on slowly to allow pressure to equalize. See Operation – Igniting Instructions. |

Peeling paint, Noises and Flare-ups.

- Humming regulator
- Excessive flare-ups and uneven heat

| Possible causes | Solution |
|--|--|
| Normal humming noise on hot days. | This isn't a defect. It's caused by internal vibrations in the regulator and doesn't affect the performance or safety of the gas grill. Humming regulators WILL NOT be replaced. |
| The cylinder valve was opened too quickly. | Open cylinder valve slowly |
| Sear plates installed incorrectly. | Ensure sear plates are installed with holes towards the front, and the slots on the bottom. See Assembly Instructions Guide. |
| Improper heating. | Preheat grill with both main burners on high for 10 to 15 minutes. |
| Excessive grease and ash build on sear plates and in drip pan. | Clean sear plates and drip pan regularly. Do not line pan with aluminum foil. Refer to Cleaning Instructions. |

- Paint appears to be peeling inside lid or hood

| Possible causes | Solution |
|-------------------------------------|--|
| Grease build-up on inside surfaces. | This is not a defect. The finish on the lid and hood is porcelain, and will not peel. The peeling is caused by hardened grease, which dries into paint-like shards, that flake off. Regular cleaning will prevent this. See cleaning instructions. |

NAPOLEON 15 YEAR WARRANTY

FOR ROGUE® R, XT & RSE Models

Napoleon products are designed with superior components and materials and are assembled by trained craftsmen who take great pride in their work. The burner and valve assembly are leak tested and test-fired at a quality test station. This grill has been thoroughly inspected by a qualified technician before packaging and shipping to ensure that you, the customer, receive the quality product you expect from Napoleon. Thank you for purchasing a Napoleon product. Napoleon (Wolf Steel Ltd, Barrie, ON, Canada) warrants that the components in your new Napoleon product will be free from defects in material and workmanship from the date of purchase, for a period of 15 years.



Warranty

| | |
|---|----------|
| Hood | 15 Years |
| Stainless Steel Lid..... | 15 Years |
| Porcelain Enamel Lid | 15 Years |
| Aluminum Castings | 15 Years |
| Stainless Steel Cooking Grids..... | 15 Years |
| Stainless Steel Tube Burners..... | 15 Years |
| Stainless Steel Sear Plates | 15 Years |
| Porcelain Enamel Cast Iron Grids..... | 15 Years |
| Stainless Steel Infrared Rotisserie | 15 Years |
| Infrared Side Burner | 15 Years |
| All Other Parts | 15 Years |

CONDITIONS AND LIMITATIONS:

This voluntary warranty creates a 15 year warranty period, for products purchased through an authorized Napoleon dealer, and entitles the original purchaser (or gift recipient in the case where a new product is given as a gift) to the specified coverage in respect of any component replaced within the warranty period, either by Napoleon or an authorized Napoleon dealer, to replace a component of such product that has failed in normal private use as a result of a manufacturing defect. This warranty does not cover accessories or bonus items.

For greater certainty, “normal private use” of a product means that the product: has been installed (where applicable) by a licensed, authorized service technician or contractor, in accordance with the installation instructions included with the product and all local and national building and fire codes; has been properly cleaned and maintained according to the instructions; and has not been used as a communal amenity or in a commercial application. In the case of use in communal or commercial applications (where approved), the warranty is reduced to a period of two (2) years.

Similarly, “failure” does not include: damage caused by over-firing, blow outs caused by environmental conditions such as strong winds or inadequate ventilation, scratches, dents, corrosion, deterioration of painted and plated finishes, discoloration caused by heat, abrasive or chemical cleaners or UV exposure, chipping of porcelain enameled parts, or damages caused by misuse, accident, hail, grease fires, lack of cleaning and maintenance, hostile environments such as salt or chlorine, alterations, abuse, neglect or parts installed from other manufacturers. If you live in a coastal area, or have your product located near a pool or hot tub, maintenance includes regular washing and rinsing of the exterior surfaces as outlined in the accompanying owner’s manual, in order to prevent surface corrosion. Should deterioration of parts occur to the degree of non-performance (rusted through or burnt through) within the duration of the warranted coverage, a replacement part will be provided. Parts replaced under this warranty are warranted only for the balance of the above mentioned original fifteen (15) year warranty period.

The replacement component is the sole responsibility of Napoleon defined by this warranty; in no event will Napoleon be responsible for installation, labor or any other costs or expenses related to the re-installation of a warranted part, for any incidental, consequential or indirect damages, or for any handling and transportation charges or export duties.

The use and/or installation of parts on your Napoleon product that are not genuine Napoleon parts will void this warranty, and any damages that result hereby are not covered by this warranty. Any conversion of a gas grill not authorized by Napoleon and performed by a Napoleon authorized service technician will void this warranty.





SÉRIE ROGUE[®]

Manuel du Propriétaire

RXT425SB, RXT525, & RXT625SIB

Les grilles illustrées dans ce manuel du propriétaire peuvent différer du modèle que vous avez acheté.



Visitez Napoleon.com enregistrer votre gril et écrire une critique, nous voulons vos commentaires!

Numéro de Série



TOUTES NOS FÉLICITATIONS SUR VOTRE GRILL NAPOLÉON!

Vous venez de mettre vos talents chef en valeur.

NOUS VOULONS QUE VOTRE EXPÉRIENCE DE GRILLADE SOIT MÉMORABLE ET SÉCURITAIRE.

Veillez lire et suivre ce mode d'emploi avant d'utiliser votre gril pour éviter des dommages matériels, blessures corporelles ou décès.

**Retirez tout le matériel d'emballage, les étiquettes promotionnelles et les cartes du gril avant de l'utiliser
UTILISER A PLEIN AIR DANS UN ESPACE BIEN VENTILÉ**

DANGER!

S' il y a une odeur de gaz :

- Coupez l' admission de gaz de l'appareil.
- Eteindre toute flamme nue.
- Ouvrir le couvercle.
- Si l'odeur persiste, éloignez-vous de l'appareil et appelez immédiatement le fournisseur de gaz ou votre service d'incendie.



AVERTISSEMENT !

N'essayez pas d'allumer cet appareil sans lire les instructions de la section Allumer Votre Gril de ce manuel.

Ne pas entreposer ni utiliser l'essence ou d'autres liquides inflammables ou des vapeurs à proximité de cet appareil ou de tout autre appareil.

Une bouteille de propane non raccordée ne doit pas être entreposée à proximité de cet appareil ou de tout autre appareil.

Si l'information contenue dans ces instructions n'est pas respectée exactement, un incendie ou une explosion peut en résulter et causer des dommages matériels, blessures corporelles ou décès



Sensibiliser les adultes et les enfants aux dangers des températures de surface élevées. Surveillez les jeunes enfants près du gril.

AVIS À L'INSTALLATEUR : Laissez ces instructions au propriétaire du gril pour référence ultérieure.

AVIS AU CONSOMMATEUR : Conservez ces instructions pour référence ultérieure.

Bienvenue à Napoleon!

LA SÉCURITÉ D'ABORD



AVERTISSEMENT Informations générales

Ce barbecue à gaz est certifié selon les normes canadiennes et américaines. Normes nationales CSA 1.6-2018 et CSA 1.6-2018. ANSI Z21.58 -2018 pour les grils à gaz d'extérieur et doit être installé conformément aux codes locaux. En l'absence de codes locaux, l'installer conformément à la norme CAN B149.1, Code d'installation du gaz naturel et du propane au Canada, ou au National Fuel Gas Code ANSI Z223.1 aux États-Unis.

Si un moteur de rôtissoire est utilisé, il doit être mis à la terre électriquement en conformément aux codes locaux. En l'absence de codes locaux, suivez les directives du CSA C22.1 Code canadien de l'électricité en vigueur au Canada, ou le Code national de l'électricité. Code électrique ANSI/NFPA 70 aux États-Unis.



AVERTISSEMENT Installation & Montage

Assemblez ce gril à gaz exactement comme indiqué dans ce manuel.

Si le gril a été assemblé en magasin, passez en revue les instructions d'assemblage pour s'assurer qu'il est correctement assemblé.

Effectuer le test d'étanchéité requis avant l'utilisation du gril.

Ne modifiez en aucun cas ce gril à gaz.

Ne pas utiliser une bouteille qui n'est pas équipée d'un raccord de type QCC1. Vous devez utiliser le régulateur de pression et le tuyau flexible fournis avec l'appareil. Inspectez le tuyau avant chaque utilisation.

Remplacer le tuyau par un régulateur de pression et un tuyau de rechange spécifié par le fabricant du gril avant d'utiliser le gril au gaz, si signes d'abrasion excessive, ou le tuyau est coupé.



AVERTISSEMENT Fonctionnement

Lisez ce manuel en entier avant d'utiliser ce gril à gaz.

Test d'étanchéité de ce gril à gaz avant l'utilisation, annuellement et lors du remplacement de tout composant au gaz.

Suivez attentivement les instructions d'allumage.



AVERTISSEMENT ! Entreposage et désuétude

Coupez le gaz à la bouteille de propane ou au robinet d'alimentation en gaz naturel.

Débranchez le tuyau entre la bouteille de propane et le gril à gaz. Retirez la bouteille de propane et rangez-la à l'extérieur dans un endroit bien aéré, loin des enfants. NE PAS entreposer les bouteilles de propane dans un bâtiment, un garage, une remise ou tout autre espace clos.

Débranchez le raccord au gaz naturel de l'alimentation lorsque vous entreposez le gril à gaz à l'intérieur.



PROPOSITION de la Californie 65

Ce produit peut vous exposer à des produits chimiques comme le plomb et plomb composés, qui sont connus dans l'état de Californie pour causer le cancer, et des produits chimiques, y compris le phtalate de di-n-butyle, qui sont connus du État de Californie à causer des anomalies congénitales ou d'autres troubles de la reproduction. Pour plus d'informations, visitez le site www.P65Warnings.ca.gov.

CONTENU

| | |
|--|----|
| Bienvenue à Napoleon! | 25 |
| La Sécurité D'abord | |
| Caractéristiques complètes du Rogue® | 26 |
| Pour commencer | 27 |
| Autres pratiques d'exploitation sécuritaires | |
| Connexion de gaz | |
| Test de Fuite | |
| Utilisation | 31 |
| Allumer Votre Gril | |
| Instructions de Grillage | |
| Comment utiliser le brûleur arrière et la rôtissoire | |
| Conseils de grillage | |
| Comment assaisonner vos grilles de cuisson | |
| Guides de grillades infrarouges | 35 |
| Instructions de Nettoyage | 36 |
| Consignes D'Entretien | 39 |
| Acier inoxydable dans des Environnements Difficiles | |
| Le Diagnostic des Anomalies | 41 |
| Garantie | 43 |



TÉLÉPHONE:
1-866-820-8686



EMAIL
grills@napoleon.com



ONLINE
www.napoleon.com

Caractéristiques complètes du Rogue®

ACCU-PROBE™ Jauge de température pour lire facilement la température pour des résultats parfaits

Brûleur de rôtissoire à infrarouge arrière pour savourer de succulents repas de rôtisserie

Grande grille chauffante chromée pour une surface de cuisson plus grande

SIZZLE Infrarouge ZONE™ Côté Brûleur pour des steaks parfaitement grillés

Boutons de commande rétroéclairés pour les réceptions de fin de soirée

Brûleurs en acier inoxydable de forte épaisseur pour une qualité durable

Instant JETFIRE™ Allumage rapide pour une mise en route rapide et orientale

Anneau de réservoir de propane pour un stockage stable (modèles au propane seulement)

Grilles de cuisson Iconic WAVE™ en acier inoxydable pour des marques distinctives de cuisson et une cuisson uniforme

Plaques Sear Plates en acier inoxydable à deux niveaux pour un chauffage uniforme et constant et des égouttements de vapeur pour des aliments plus savoureux.

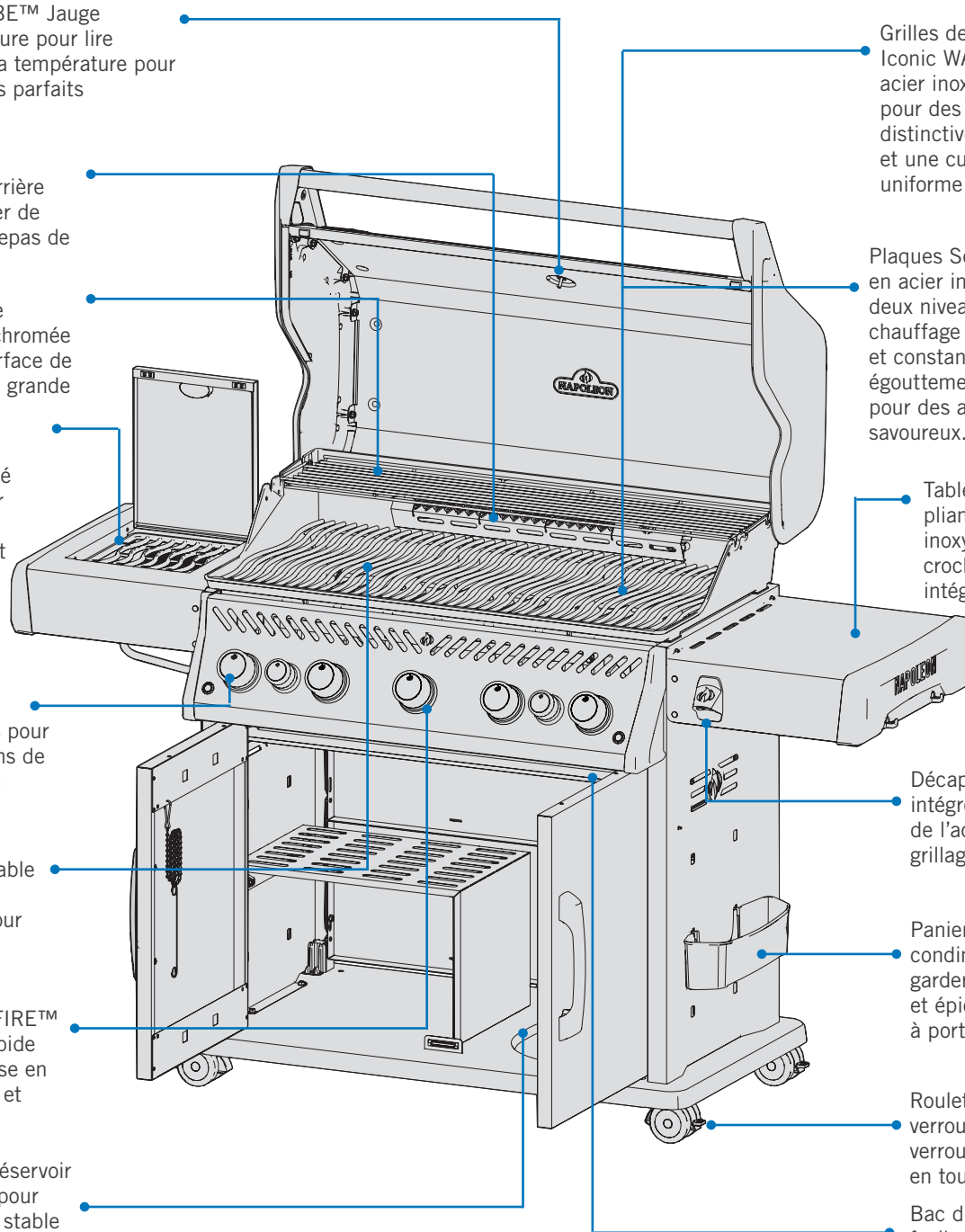
Tablettes latérales pliantes en acier inoxydable avec crochets d'outils intégrés

Décapsuleur intégré à proximité de l'action de grillage

Panier à condiments pour garder votre sauces et épices préférées à portée de main

Roulettes à verrouillage facile verrouillent la grille en toute sécurité

Bac d'égouttement facile d'accès pour un entretien efficace



Les grilles illustrées dans ce manuel du propriétaire peuvent différer du modèle que vous avez acheté.

Pour commencer



DANGER / AVERTISSEMENT ! Informe d'un danger pouvant entraîner un incendie, une explosion, des blessures graves ou la mort.



AVERTISSEMENT / ATTENTION ! Avertir d'un danger pouvant entraîner des blessures corporelles mineures ou des dommages matériels.



Portez toujours des gants de protection.



Portez toujours des lunettes de sécurité



ATTENTION ! Surface chaude.



Renseignements importants



Ne fumez pas lorsque vous effectuez un test d'étanchéité au gaz. Des étincelles ou des flammes peuvent causer un incendie, une explosion, des dommages matériels, des blessures graves ou la mort.



Ne jamais utiliser une flamme pour vérifier les fuites de gaz. Des étincelles ou des flammes peuvent causer un incendie, une explosion, des dommages matériels, des blessures corporelles graves, ou la mort.



DANGER ! Couper immédiatement l'alimentation en gaz et débrancher l'appareil.

AUTRES PRATIQUES D'EXPLOITATION SÉCURITAIRES

- Ne pas faire passer le tuyau sous le bac d'égouttement. Gérer le dégagement approprié du tuyau jusqu'au fond de l'appareil.
- S'assurer que les plaques de cuisson sont positionnées correctement selon les critères suivants instructions d'installation de la plaque de recherche.
- Les commandes du brûleur doivent être éteintes lorsque vous ouvrez le robinet d'alimentation de la bouteille de propane.
- N'allumez pas les brûleurs avec le couvercle fermé.
- Ne pas utiliser le brûleur arrière avec les brûleurs principaux.
- Ne fermez pas le couvercle du brûleur latéral lorsque le brûleur est en marche ou chaud.
- Ne faites pas frire les aliments sur le brûleur latéral.
- Ne réglez pas les grilles de cuisson lorsqu'elles sont en marche ou chaudes.
- L'entretien ne doit être effectué que lorsque le grill est froid.
- Ne rangez pas de briquets, d'allumettes ou de tout autre combustible dans le plateau à condiments.
- Gardez tous les cordons d'alimentation électrique et les tuyaux d'alimentation en carburant éloignés de toutes les surfaces chauffées.
- Nettoyer régulièrement le bac à graisse et saisir les plaques pour éviter l'accumulation et les feux de graisse.
- Inspecter et nettoyer le tube de venturi du brûleur infrarouge périodiquement en raison de toiles d'araignées et d'autres obstructions.
- Ne laissez pas l'eau froide (pluie, arroseur, tuyau, etc.) entrer en contact avec le grill chauffé. Un changement de température immédiat ébrêchera la porcelaine et fissurera la céramique brûleurs.
- Ne pas placer ce grill à un endroit où il peut être exposé à des vents violents, en particulier lorsque le vent peut souffler directement derrière l'appareil.
- N'utilisez pas de nettoyeur haute pression pour nettoyer une partie quelconque du grill.
- Ne recouvrez jamais plus de 75% de la surface de cuisson avec métal solide
- Maintenir un dégagement approprié aux matières combustibles de 20" (508 mm) à l'arrière de l'appareil et de 7" (178 mm) sur les côtés.
- Un dégagement supplémentaire de 24" (610 mm) est recommandé près d'un revêtement de vinyle ou de panneaux de verre.

ATTENTION ! Le branchement et l'installation du raccord de gaz naturel et du tuyau flexible doivent être effectués par un fournisseur de gaz agréé, et ainsi que les tests d'étanchéité d'utiliser le grill.

ATTENTION ! Assurez-vous que le tuyau de propane ne touche pas les surfaces à haute température du grill à gaz, car il pourrait fondre et provoquer un incendie.

ATTENTION ! Ne déplacez pas le grill quand il est en marche et chaud.



CONNEXION DE GAZ

À une bouteille de propane

N'utilisez qu'une bouteille de propane de 20 lb (9,1 kg) fabriquée et marquée conformément aux spécifications des bouteilles de gaz de pétrole liquéfié des normes nationales du Canada, des bouteilles, sphères et tubes CAN/CSA pour le transport des produits dangereux, ou pour les bouteilles de GPL du ministère américain des transports (DOT).

Un détendeur spécifié par le fabricant et avec une pression d'alimentation de 11 pouces de colonne d'eau (0.39 Psi) et un raccord de type QCC1 doivent être utilisés si vous utilisez une bouteille de propane portable.

Le dispositif de raccordement de la bouteille doit être compatible avec le raccordement pour cela appareil extérieur.

Caractéristiques d'une bouteille de propane :

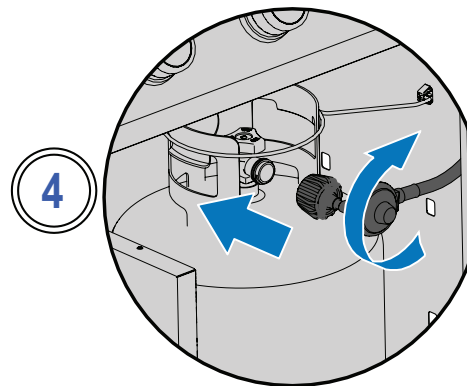
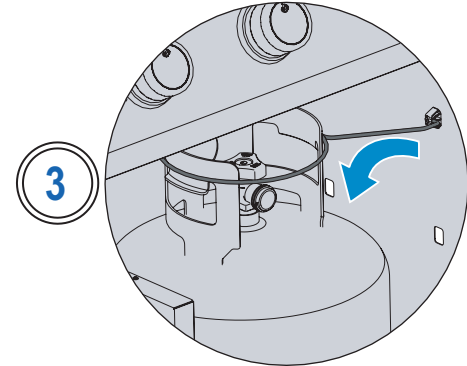
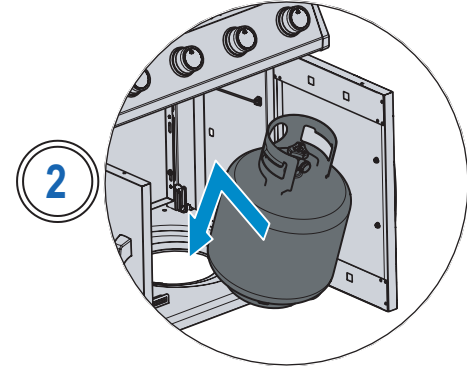
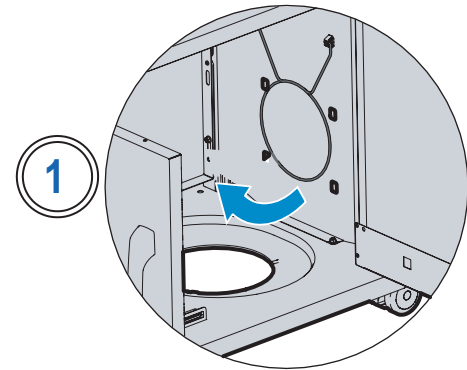
- Doit être muni d'un robinet d'arrêt et d'un dispositif de décharge de sécurité
- Vérifier que la bouteille de propane a été marquée pour le retrait des vapeurs.
- Inclure un collier pour protéger le robinet de la bouteille
- S'assurer qu'il y a un dispositif de protection antidébordement homologué.

Branchement et installation

- Vérifiez si la bouteille ne présente pas de bosses ou de rouille et faites-la inspecter par votre fournisseur de propane.
- N'utilisez jamais une bouteille dont la valve est endommagée.
- Placez le cylindre dans le trou au fond de l'étagère. La bouteille doit être bien ajustée dans l'anneau de retenue du réservoir.

Bonne connexion de tuyau

- S'assurer que le tuyau du régulateur de gaz n'est pas plié.
- Clipser le tuyau sur le panneau latéral à l'aide de l'agrafe de retenue fournie.
- Ne pas faire passer le tuyau sous le bac d'égouttement.
- Retirez le capuchon ou le bouchon du robinet de carburant du cylindre.
- Insérez le raccord noir du régulateur QCC1 sur le robinet de carburant QCC1. serrer à la main. Ne pas utiliser d'outils.
- S'assurer que le tuyau n'entre en contact avec aucune surface à haute température . car il fondra et provoquera un incendie.
- Vérifiez l'étanchéité de tous les joints avant d'utiliser le grill à gaz. Voir "TEST DE FUITE" à la page 30.



AVERTISSEMENT ! N'entreposez pas de propane de recharge. Sous ou près de cet appareil à gaz.

AVERTISSEMENT ! N'utilisez jamais une bouteille de propane qui est pleine à plus de 80%.

AVERTISSEMENT ! Suivez toutes les spécifications et instructions à la lettre pour éviter tout risque d'incendie, d'explosion, de dommages matériels, de blessures corporelles ou de décès.



Une conduite de gaz domestique

- Un tuyau d'alimentation en gaz et une conception à raccord rapide pour le gaz naturel et certifié pour une utilisation à l'extérieur sont inclus avec votre grill.
- La tuyauterie au gaz naturel doit être capable de fournir une pression de 7" dans la colonne d'eau.
- La tuyauterie et les vannes en amont du raccord rapide ne sont PAS fournies.
- La conduite de gaz doit être dimensionnée pour fournir le BTU/h indiqué sur la plaque signalétique en fonction de la longueur de la tuyauterie.
- Voir "AVERTISSEMENT ! Informations générales" à la page 27 de ce manuel pour les certifications et les codes.

Bonne connexion de tuyau

1. Le branchement à une conduite d'alimentation en gaz doit être effectué par un installateur agréé et soumis à un test d'étanchéité avant de faire fonctionner le grill.
2. Attachez le tuyau au panneau latéral à l'aide du clip de retenue fourni.
3. Ne faites pas passer le tuyau sous le plateau d'égouttement.
4. Assurez-vous que le tuyau ne touche aucune surface à haute température du grill à gaz, car il pourrait fondre et provoquer un incendie.

Déconnexion rapide

- Ne pas installer la déconnexion rapide vers le haut.
- Une vanne d'arrêt manuelle doit être installée en amont, à proximité du raccord rapide et facilement accessible.
- Raccordez l'extrémité évasée du tuyau au raccord situé à l'extrémité du tube collecteur ou du tube flexible (le cas échéant).
- Serrer à l'aide de deux clés. Ne pas utiliser de scellant de fil ou de pâte à modeler.
- Testez tous les joints avant de faire fonctionner le grill à gaz. Voir "TEST DE FUITE" à la page 30.

FAITES ATTENTION



Le couvercle du grill et la boîte à feu entière peut devenir très chaud quand utilisé.

AVERTISSEMENT ! Débranchez l'appareil à gaz et son robinet d'arrêt individuel du système de tuyauterie d'alimentation en gaz pendant tout essai de pression supérieur à ½ Psi (3,5 Kpa).

AVERTISSEMENT ! Fermer le robinet d'arrêt individuel pour isoler l'appareil de gaz du système d'alimentation en gaz pendant tout essai de pression égal ou inférieur à ½ Psi (3,5 Kpa).

AVERTISSEMENT ! Vérifiez que le tuyau ne présente pas d'abrasions excessives, de fonte, de coupures ou de fissures et faites remplacer la pièce par votre revendeur napoleon grill ou un installateur au gaz qualifié.

AVERTISSEMENT ! Suivez toutes les spécifications et instructions à la lettre pour éviter tout risque d'incendie, d'explosion, de dommages matériels, de blessures corporelles ou de décès.



TEST DE FUITE

Pourquoi test de fuite?

Un test d'étanchéité confirme qu'aucun gaz ne s'échappe après avoir branché le tuyau à l'alimentation en gaz.

Chaque fois que le réservoir est rempli et réinstallé, effectuer un essai d'étanchéité du raccord à l'endroit où le régulateur se raccorde au réservoir.

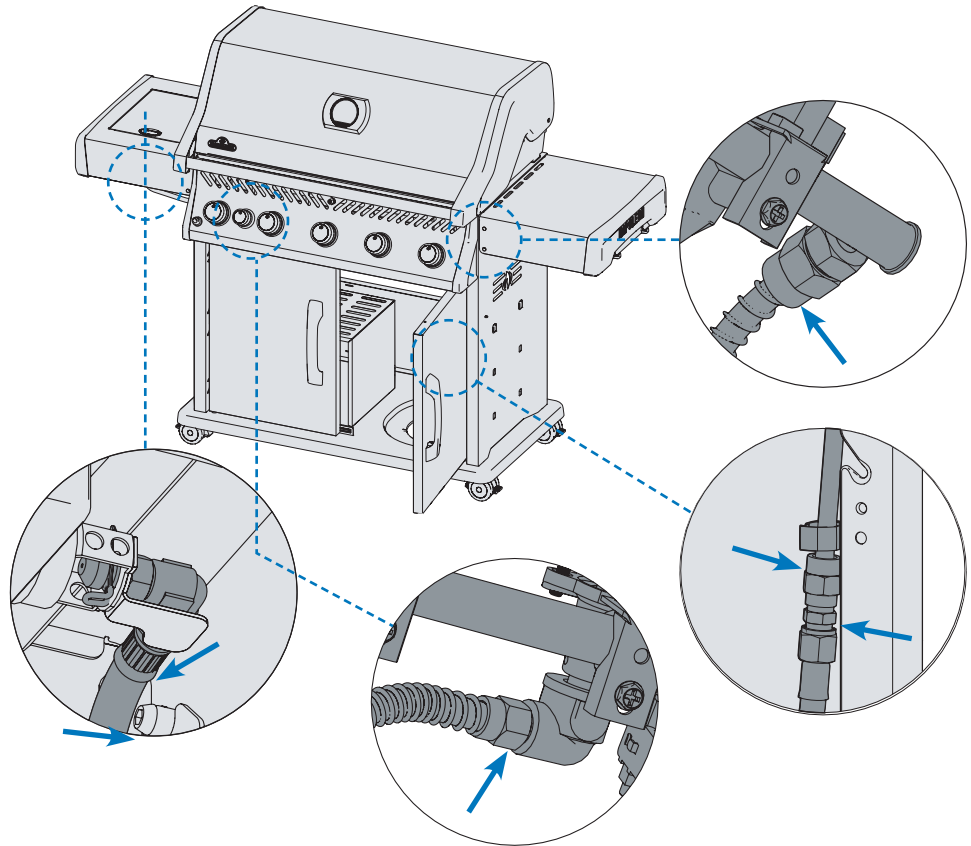
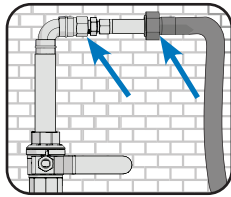
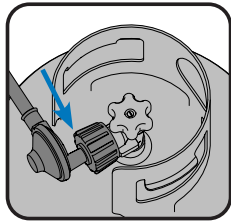
Vérifiez l'étanchéité de ce gril à gaz avant utilisation, une fois par an, et lors du remplacement de tout composant au gaz.

Si vous trouvez une fuite

1. Serrez tous les joints desserrés.
2. Couper immédiatement l'alimentation en gaz si la fuite ne peut être colmatée, se déconnecter.
3. Faites inspecter le gril par un installateur certifié ou un détaillant.
4. N'utilisez pas le gril avant que la fuite n'ait été réparée.

Étapes du test d'étanchéité

1. Ne fumez pas pendant le test.
2. Éliminer toute source d'inflammation.
3. Mettez toutes les commandes du brûleur en position arrêt.
4. Ouvrir le robinet d'alimentation en gaz.
5. Appliquez une solution moitié-moitié d'eau et de savon liquide sur tous les joints et raccords du régulateur, du tuyau, des collecteurs et des vannes.
6. Les bulles indiquent une fuite de gaz.



AVERTISSEMENT ! Ne jamais utiliser une flamme pour vérifier les fuites de gaz. Des étincelles ou des flammes peuvent causer un incendie, une explosion, des dommages matériels, des blessures graves ou la mort.

AVERTISSEMENT ! Vous devez utiliser le régulateur de pression et le tuyau flexible fournis avec cet appareil à gaz extérieur. Inspectez le tuyau avant chaque utilisation.



Utilisation

ALLUMER VOTRE GRIL

Est-ce la première fois? Effectuer un Burn-off

Faites tourner les brûleurs principaux à fond pendant 30 minutes. Il est normal que le gril à gaz dégage une odeur la première fois qu'il est allumé. Cette odeur est causée par le "brûlage" des peintures et lubrifiants internes utilisés dans le processus de fabrication et ne se reproduira plus.

Éclairage du brûleur principal

1. Ouvrir le couvercle du gril.
2. Poussez et tournez lentement le bouton du brûleur principal dans le sens inverse des aiguilles d'une montre en position HAUTE jusqu'à ce que la veilleuse s'allume. Continuez d'appuyer sur le bouton de commande jusqu'à ce que le brûleur s'allume, puis relâchez-le.
3. La veilleuse ne s'allume pas - tourner immédiatement le bouton de commande dans le sens des aiguilles d'une montre jusqu'à la position OFF. Répétez l'étape 2.
4. La veilleuse et le brûleur ne s'allument pas en 5 secondes - tournez la commande dans le sens des aiguilles d'une montre jusqu'à la position OFF. Attendez 5 minutes pour que l'essence s'écoule et se dissipe. Répétez les étapes 2 et 3 ou allumez avec une allumette.

(Fig. 1)

Éclairage du brûleur arrière (si équipé)

1. Ouvrir le couvercle du gril.
2. Retirer la grille de réchauffage.
3. Poussez et tournez lentement le bouton du brûleur arrière dans le sens inverse des aiguilles d'une montre jusqu'à la position HAUTE.
4. Appuyez et maintenez enfoncé le bouton de l'allumeur jusqu'à ce que le brûleur s'allume, ou allumez par allumette.
5. Le brûleur ne s'allume pas - tourner le bouton de commande du brûleur dans le sens des aiguilles d'une montre jusqu'à la position OFF. Attendez 5 minutes. Répétez l'étape 4.

(Fig. 1)

Éclairage du brûleur latéral (si équipé)

1. Ouvrez le couvercle du brûleur.
2. Poussez et tournez lentement le bouton du brûleur latéral dans le sens inverse des aiguilles d'une montre jusqu'à la position HAUTE.
3. Appuyez et maintenez enfoncé le bouton de l'allumeur jusqu'à ce que le brûleur s'allume, ou allumez par allumette.
4. Le brûleur ne s'allume pas - tourner le bouton de commande du brûleur dans le sens des aiguilles d'une montre jusqu'à ce que la position OFF. Attendez 5 minutes. Répétez l'étape 3.

(Fig. 2)

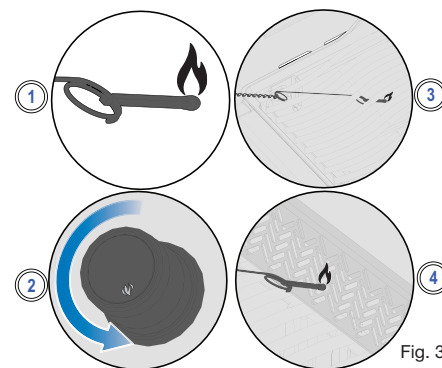
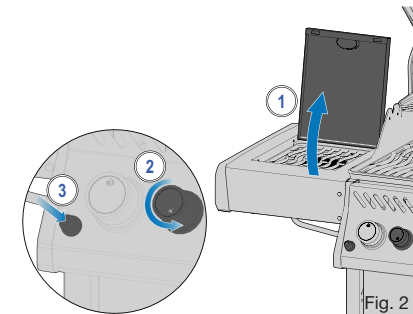
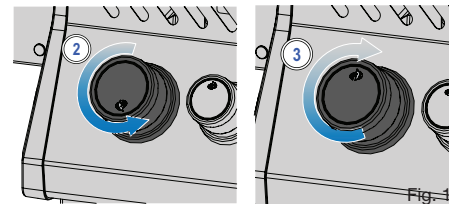
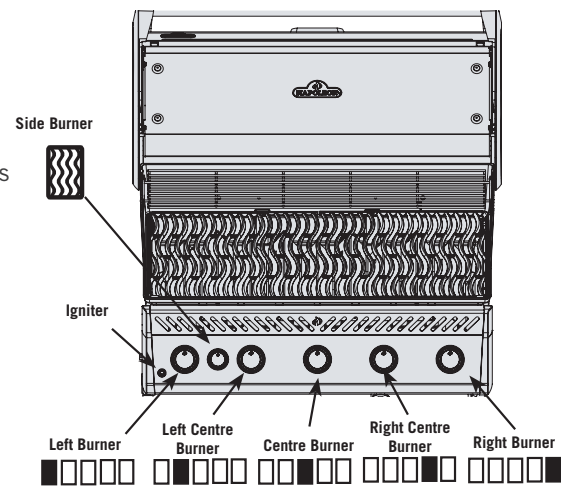
Éclairage à l'aide d'une allumette

1. Fixer l'allumette dans le support fourni. tige d'éclairage.
2. Passer l'allumette allumée à travers les grilles de cuisson et saisir les plaques en tournant le brûleur correspondant le bouton de réglage est trop haut.

(Fig. 3)

ATTENTION! Ne stockez pas de briquets, allumettes ou tout autre combustible dans le plateau à condiments.

ATTENTION! Ne pas utiliser le brûleur arrière pendant le fonctionnement du brûleur principal



ATTENTION! Assurez-vous que le couvercle de le gril est OUVERT pendant l'allumage.

ATTENTION! Assurer tout le brûleur les commandes sont en position OFF avant d'ouvrir lentement la vanne d'alimentation en gaz.

INSTRUCTIONS DE GRILLAGE

Utilisation du brûleur principal

- Préchauffer le grill avant de saisir les aliments en faisant fonctionner tous les brûleurs principaux à température élevée avec le couvercle fermé pendant environ 10 minutes.
- Les aliments cuits pendant une courte période, comme le poisson et les légumes peuvent être grillés avec le couvercle ouvert.
- Griller avec le couvercle fermé assure des températures plus élevées et constantes qui permettent de cuire la viande plus uniformément et de réduire le temps de cuisson.
- Les grilles de cuisson peuvent être huilées avant le préchauffage pour réduire l'adhérence lors de la cuisson de viandes maigres telles que poitrine de poulet ou de porc.
- Les aliments qui prennent plus de 30 minutes, comme les rôtis, peuvent être cuits indirectement avec le brûleur allumé en face de l'aliment. Voir Grillage indirect.
- Enlever l'excès de gras de la viande pour éviter les poussées ou réduire la température du grill.
- Fusées éclairantes - éloignez les aliments des flammes et réduisez la quantité d'aliments qui y sont brûlés la chaleur. Laissez le couvercle ouvert.

Grillage direct

Cette méthode est souvent utilisée pour la cuisson à la poêle ou pour les aliments cuits peu de temps comme les hamburgers, les steaks, le poulet ou les légumes.

Placer les aliments sur les grilles de cuisson directement sur le feu.

Saisir d'abord la viande pour emprisonner le jus et la saveur.

Baisser la température du grill pour terminer la cuisson selon vos préférences.

Grillades indirectes

Cette méthode utilise des températures plus basses et fait circuler la chaleur autour des aliments en les cuisant lentement et uniformément.

Utilisez cette méthode pour cuire de plus grosses coupes de viande ou des aliments sujets aux poussées comme le rôti, le poulet ou la dinde.

Allumez un ou plusieurs brûleurs et placez les aliments sur la grille de cuisson là où il n'y a pas de flamme ou le brûleur est allumé.

Griller à une température plus basse et cuire plus lentement permet d'obtenir des viandes plus tendres.

Brûleur latéral de flamme (si équipé)

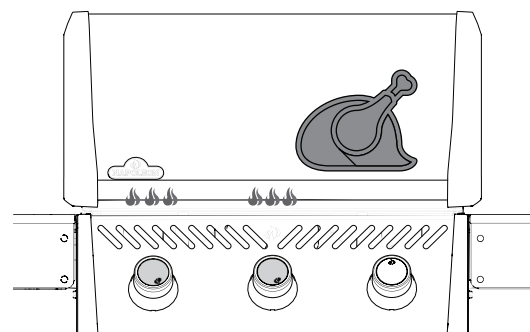
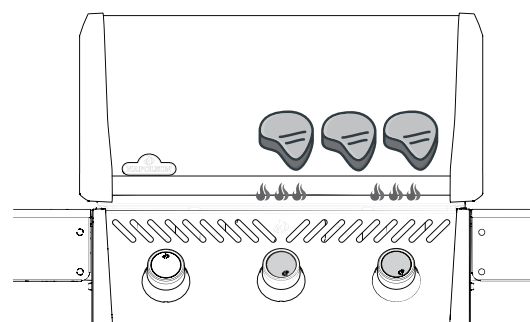
Le brûleur latéral à flamme peut être utilisé comme une plaque de cuisson pour faire de la sauce ou de la soupe.

Le diamètre recommandé du pot ou de la casserole est de 10" (25 cm).

Assurez-vous que votre grill à gaz se trouve dans un endroit à l'abri du vent ou de la pluie la performance du brûleur latéral sera affectée

Griller la nuit

Allumez les boutons de commande en appuyant sur l'icône de l'ampoule sur le panneau de commande.



GRILLAGE CONSEIL!

Ajouter un Napoléon accessoire fumeur à votre grill pour aromatiser votre viande.

GRILLAGE CONSEIL!

Utiliser un thermomètre pour vérifier la température interne de viande pour assurer sa cuisson parfaitement

ATTENTION! Ne faites jamais griller les aliments directement sur le brûleur latéral. Le brûleur latéral est conçu pour utiliser uniquement des casseroles et des casseroles.

ATTENTION! Ne fermez pas le couvercle du brûleur latéral lorsqu'il est en marche ou chaud.

ATTENTION! Ne faites pas frire les aliments sur le brûleur latéral. Cuisiner avec de l'huile peut être dangereux.

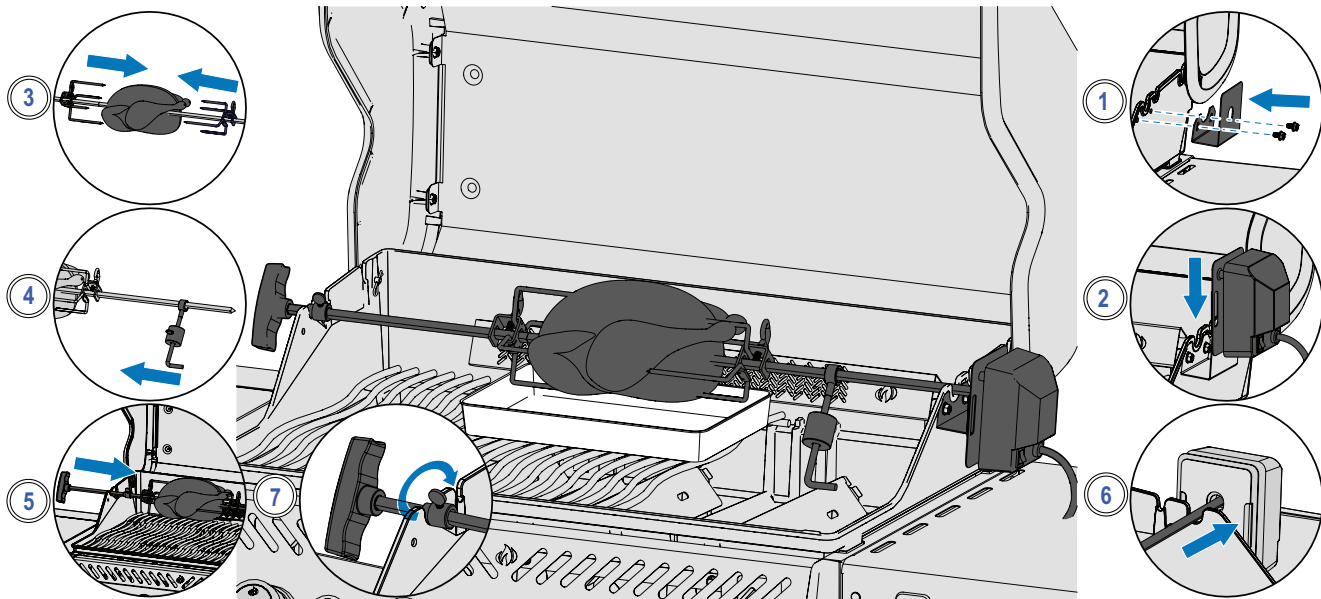
ATTENTION! Nettoyez régulièrement la graisse de l'ensemble de l'appareil, du bac à graisse et des plaques d'accrochage pour éviter toute accumulation. feux de graisse.



COMMENT UTILISER LE BRÛLEUR ARRIÈRE ET LA RÔTISSOIRE (SI ÉQUIPÉ)

Utilisation du brûleur arrière et de la tige de crachat

1. Retirez la grille de réchauffage avant d'utiliser le brûleur arrière. crachat tige. Une chaleur extrême endommagera la grille de réchauffement.
2. Retirer le moteur de la rôtissoire du gril à gaz.
3. Installez le moteur de la rôtissoire sur les supports appropriés. Fil la viande que vous faites cuire sur la broche à broche en même temps que le fourchette à rôtir. Glisser la viande dans la fourchette à rôtir pour la tenir. en place.
4. Suspendez la broche sur les cintres. Le côté lourd de la viande pendra naturellement vers le bas.
5. Serrez le bras d'équilibrage et le poids de manière à ce que le bras soit tourné vers le haut.
6. Faites glisser le contrepoids en conséquence pour équilibrer la charge et serrez en place.
7. Réinstallez le moteur. Commencez à cuisiner.
8. Placer un plat en métal sous la viande pour recueillir la sauce. des égouttements.



Conseils sur l'utilisation de la rôtissoire :

- Faites fonctionner le brûleur arrière en position haute jusqu'à ce que la viande brunisse. Réduire le feu. Garder le couvercle fermé. Cuisez bien.
- Utilisez un thermomètre pour vérifier la température interne de la viande.
- Les rôtis et la volaille doivent dorer à l'extérieur et rester tendres à l'intérieur.
- Utiliser les égouttures pour arroser et préparer la sauce.
- Un poulet de 3 livres prend environ 1 ½ heures sur la moyenne à élevée. How to cook up to 3 chickens

Comment cuire jusqu'à 3 poulets

1. Attachez ou brochez les ailes au corps des poulets.
2. Enfiler la fourchette à rôtir sur la broche à broche.
3. Enfiler le premier poulet sur la broche jusqu'à ce qu'il soit maintenu en place par la fourchette à rôtir.
4. Enfilez les 2 poulets suivants sur la tige de la broche pour que tous les poulets soient rapprochés.
5. Enfilez la deuxième fourchette de rôtissoire sur la tige du tournebroche et poussez-la dans le poulet jusqu'à ce que les 3 poulets soient bien serrés. Serrer.

AS TU SAVOIR?



Vous pouvez retirer les grilles de cuisson si elles gênent la cuisson de gros morceaux de viande.

ATTENTION! La sauce barbecue et le sel peuvent être corrosifs et provoquer une détérioration rapide du gril à gaz composants sauf s'ils sont nettoyés régulièrement.

ATTENTION! Démontez les composants de la rôtissoire une fois la cuisson terminée, lavez-la à l'eau chaude savonneuse et rangez-la à l'intérieur.

ATTENTION! Utilisez des gants résistants à la chaleur pour manipuler les composants chauds de la rôtissoire.



CONSEILS DE GRILLAGE

Chaque fois que vous grillez la liste de contrôle:

Lisez le manuel du propriétaire

Assurez-vous d'avoir lu le manuel du propriétaire et toutes les instructions de sécurité.

Nettoyer le bac à graisse

Assurez-vous toujours de nettoyer le bac à graisse avant de griller pour éviter les incendies et des poussées.

Vérifiez le tuyau

Assurez-vous que le gril à gaz est éteint et froid. Vérifiez le tuyau pour la preuve de abrasions ou coupures excessives. Faites remplacer le tuyau avant utilisation si le le tuyau est endommagé.

Préchauffez et nettoyez les grilles

Enduisez toute la surface des grilles avec de la graisse végétale, PAS des matières grasses salées comme beurre ou margarine. Préchauffez votre gril pour brûler les résidus. Nettoyer grilles avec une brosse en laiton. Voir la section Instructions de nettoyage.

REMARQUE: les grilles de cuisson en acier inoxydable sont durables et résistantes à la corrosion et nécessitent moins d'assaisonnement et d'entretien que les grilles en fonte.

Zone de préparation

Assurez-vous que tout ce dont vous avez besoin pour cuisiner, comme vos ustensiles, les assaisonnements, les sauces et les plats sont à votre portée. Ne laissez pas votre nourriture sans surveillance, ou il pourrait brûler.

Ne jetez pas un coup d'œil

Essayez de ne pas trop ouvrir le couvercle et de ne pas trop regarder, sinon la chaleur s'échappera et fera baisser votre température et votre temps de cuisson. Ne retournez vos aliments qu'une seule fois, surtout le steak et le poulet..

Laisser de l'espace

Laissez un peu d'espace sur le gril et entre les aliments pour que vous ayez de la place pour déplacez les aliments si vous en avez besoin.

Utilisez un thermomètre

Utilisez un thermomètre pour vous assurer que les aliments sont bien cuits. Suivre la directives de températures appropriées pour tous les types de viande, en particulier la volaille.

GRILLAGE CONSEIL!



Inspirez-vous des délicieuses recettes sur www.napoleon.com et des livres de cuisine de Napoleon

GRILLAGE CONSEIL!










Préchauffez toujours le gril avant la cuisson pour éliminer les résidus et éviter que les aliments ne collent.

COMMENT ASSAISONNER VOS GRILLES DE CUISSON

1. Utilisez un chiffon doux pour enduire les grilles de cuisson de shortening végétal et NON de graisse salée comme du beurre ou de la margarine.
2. Placer les grilles assaisonnées dans le gril.
3. Fermez le couvercle et tournez les commandes du brûleur sur MOYEN.
4. Laisser chauffer 30 minutes.
5. Tournez toutes les commandes du brûleur en position OFF. Éteindre le gaz À la source.
6. Laissez les grilles refroidir.

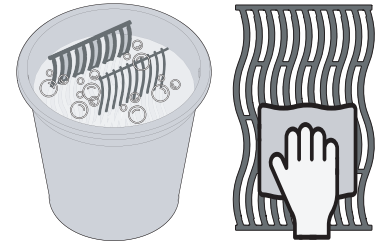
Guides de grillades infrarouges

| ALIMENTS | RÉGLAGE DU BOUTON DE COMMANDE | TEMPS DE CUISSON | SUGGESTIONS |
|---|---|---|---|
|  Steak 1 pouce (2,54 cm) d'épaisseur | ÉLEVÉ - 2 minutes de chaque côté | Rare – 4 minutes | Demander de la graisse marbrée en coupe. Le gras est un attendrisseur naturel et garde la viande juteuse. |
| | HAUT à MOYEN - chauffer 2 minutes de chaque côté puis tourner à feu moyen | Moyen -6 minutes | |
| | | Bien cuit - 8 minutes | |
|  Hamburger ½ pouce (1,27 cm) d'épaisseur | ÉLEVÉ - 2 minutes de chaque côté | Rare – 4 minutes | Garder les galettes de la même épaisseur pour des temps de cuisson égaux. Les galettes de 1 pouce d'épaisseur ou plus doivent être grillées à la chaleur indirecte. |
| | ÉLEVÉ - 2 1/2 minutes de chaque côté | Moyen -5 minutes | |
| | ÉLEVÉ - 3 minutes de chaque côté | Bien cuit - 6 minutes | |
|  Poulet | HAUT à MOYEN - chauffer 2 minutes de chaque côté puis tourner à feu moyen | 20 – 25 minutes | Trancher l'articulation reliant la cuisse et la cuisse ¾ à travers pour que la viande repose à plat sur le brûleur et cuire uniformément. |
|  Côtelettes de porc | MOYEN | 6 minutes de chaque côté | Choisissez des coupes épaisses pour une viande plus tendre. Enlever l'excès de gras. |
|  Côtes levées | HAUT à BAS - Élevé pour 5 minutes puis bas jusqu'à ce que fini | 20 minutes de chaque côté en tournant souvent | Choisissez des côtes levées maigres et charnues. Griller jusqu'à ce que la viande se détache facilement de l'os. |
|  Côtelettes d'agneau | HAUT à MOYEN - Haut pendant 5 minutes puis Moyenne jusqu'à la fin | 15 minutes de chaque côté | Choisissez des coupes épaisses pour une viande plus tendre. Enlever l'excès de gras |
|  Saucisses | MOYEN à FAIBLE | 4 – 6 minutes | Choisir des saucisses fumées plus grosses et les fendre dans le sens de la longueur avant de les griller. |

Instructions de Nettoyage

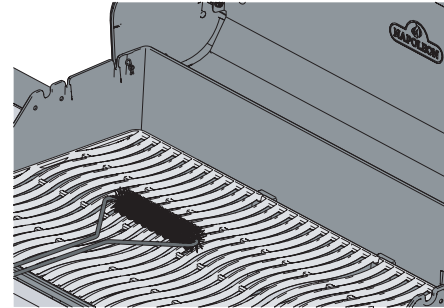
Première utilisation

1. Lavez les grilles à la main avec de l'eau et du savon doux pour enlever tout résidu du processus de fabrication. NE PAS laver dans un Lave-vaisselle.
2. Bien rincer à l'eau chaude et sécher complètement avec un chiffon doux pour empêcher l'humidité de pénétrer dans la fonte



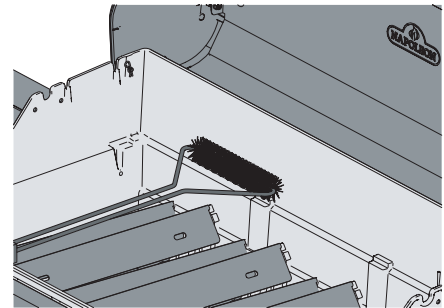
Grilles en fonte

- Enduire toute la surface des grilles avec de la graisse végétale NON salée comme le beurre ou la margarine.
- Préchauffez votre grill pour éliminer les résidus en excès.
- Nettoyez les grilles avec une brosse en laiton.
- La laine d'acier peut être utilisée pour les taches tenaces. Utiliser des gants de grillade résistants à la chaleur pour manipuler les grilles chaudes.
- Assaisonnez vos grilles pour ajouter un revêtement protecteur contre la corrosion. Voir Conseils de grillage - Comment assaisonner votre grill.



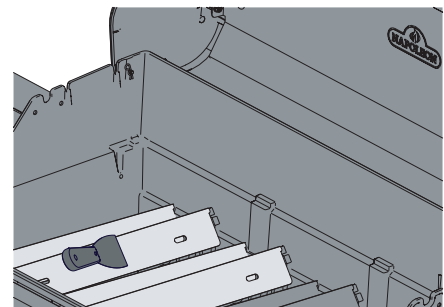
Grilles en acier inoxydable

- Les grilles de cuisson en acier inoxydable peuvent être nettoyées en préchauffant le grill et en utilisant une brosse métallique pour enlever les résidus.
- Les grilles en acier inoxydable se décoloreront de façon permanente lors d'une utilisation régulière en raison des températures élevées lors du grillage.



Brûleur latéral infrarouge

- La plupart des matières grasses et des particules alimentaires tombant sur le brûleur infrarouge surface incinère immédiatement en raison de la chaleur de haute intensité.
- Ne nettoyez pas le carreau de céramique avec une brosse métallique.
- N'utilisez pas d'eau ou d'autres liquides pour nettoyer le brûleur. Un immédiat changement de température entraînera la fissuration du carreau de céramique.
- Allumez le brûleur et laissez-le fonctionner pendant 5 à 10 minutes pour éliminer tout résidu restant.



À l'intérieur du grill

1. Retirez les grilles de cuisson.
2. Utilisez une brosse métallique en laiton pour nettoyer les débris détachés des côtés de la pièce coulée et sous le couvercle.
3. Grattez les plaques de brûlage avec un couteau à mastic ou un grattoir. Utilisez une brosse métallique enlever les cendres.
4. Retirez les plaques de brûlage et les débris de la brosse des brûleurs avec une brosse métallique.
5. Balayez les débris de l'intérieur du grill dans le bac d'égouttement.

ATTENTION! Portez toujours des gants de protection et des lunettes de sécurité lors du nettoyage de votre grill.

ATTENTION! L'accumulation de graisse est un risque d'incendie.

ATTENTION! Le nettoyage ne doit être effectué que lorsque le grill est froid pour éviter tout risque de brûlure.



Bac d'égouttement

- La graisse et les excès de jus de cuisson s'accumulent dans le bac d'égouttement situé sous le gril à gaz et s'accumulent dans le bac à graisse jetable sous le plateau d'égouttement.
- Ne jamais recouvrir le bac d'un papier d'aluminium, de sable ou de tout autre matériau. Cela peut empêcher la graisse de couler correctement.
- Nettoyer fréquemment pour éviter l'accumulation de graisse -environ toutes les 4-5 utilisations

Étapes de nettoyage :

1. Faites glisser la lèchefrite hors du gril pour accéder au bac à graisse jetable ou pour nettoyer la lèchefrite.
2. Gratter le moule avec un couteau à mastic ou un grattoir.
3. Remplacez le bac à graisse jetable toutes les 2 à 4 semaines selon l'utilisation du gril.
4. Consultez votre revendeur Napoleon Grill pour plus d'informations.

Panneau de contrôle

Utilisez UNIQUEMENT de l'eau chaude savonneuse ou un nettoyant pour acier inoxydable.

Le texte du panneau de commande est imprimé directement sur l'acier inoxydable et s'efface progressivement si des nettoyants abrasifs sont utilisés. Un nettoyage adéquat du panneau de commande garantit que le texte reste sombre et lisible.

Castings d'Aluminium

Nettoyer à l'eau tiède savonneuse. L'aluminium ne rouille pas, mais les températures élevées et les intempéries peuvent causer l'oxydation à la surface des pièces moulées qui ressemblent à des taches blanches.

Voir la section Instructions d'entretien pour des instructions sur la façon de réparer et de peindre l'aluminium oxydé.

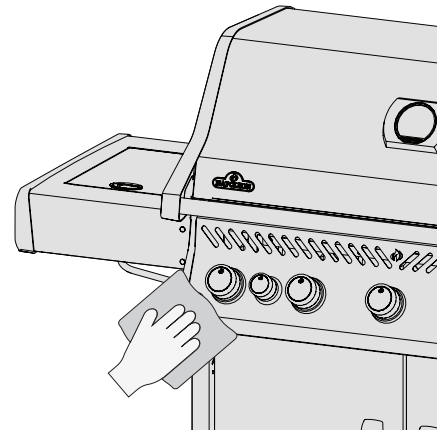
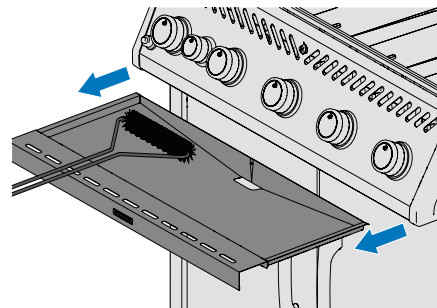
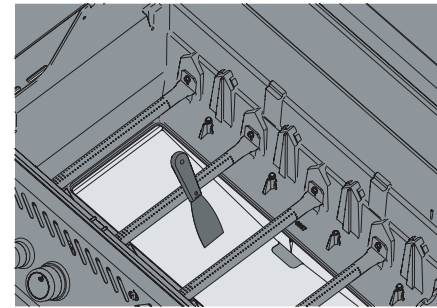
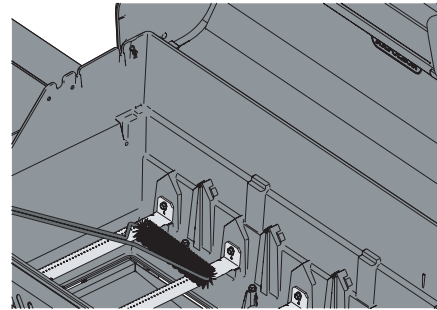
Surface extérieure du gril

Utilisez uniquement un nettoyant non abrasif pour l'acier inoxydable. Les nettoyants abrasifs ou la laine d'acier égratigneront le fini.

- Essuyez toujours dans le sens du grain.
- Manipulez les composants en émail porcelainé avec soin.
- La finition émaillée cuite au four est semblable à du verre et s'écaillera si elle est frappée.
- L'émail de retouche est disponible chez votre détaillant Napoleon Grill.
- Les pièces en acier inoxydable se décolorent avec le temps lorsqu'elles sont chauffées et deviennent dorées. ou de teinte brune. Ceci est normal et n'affectera pas la fonction la performance du gril.

AVERTISSEMENT ! Assurez-vous que tous les brûleurs sont éteints et que le gril est froid avant de le nettoyer. N'utilisez pas de nettoyant pour four pour nettoyer les une partie du gril. Ne mettez pas les grilles de cuisson ou toute autre partie du gril dans un four autonettoyant à nettoyer. Nettoyer le gril dans un endroit où la solution de nettoyage n'endommagera pas les terrasses, les pelouses ou les patios.

AVERTISSEMENT ! Le barbecue et le sel peuvent être corrosifs et causer une détérioration rapide des composants du gril à gaz à moins que nettoyés régulièrement.



Nettoyage des araignées et des insectes du brûleur

Les araignées et les insectes sont attirés par les odeurs de propane et naturelles gaz.

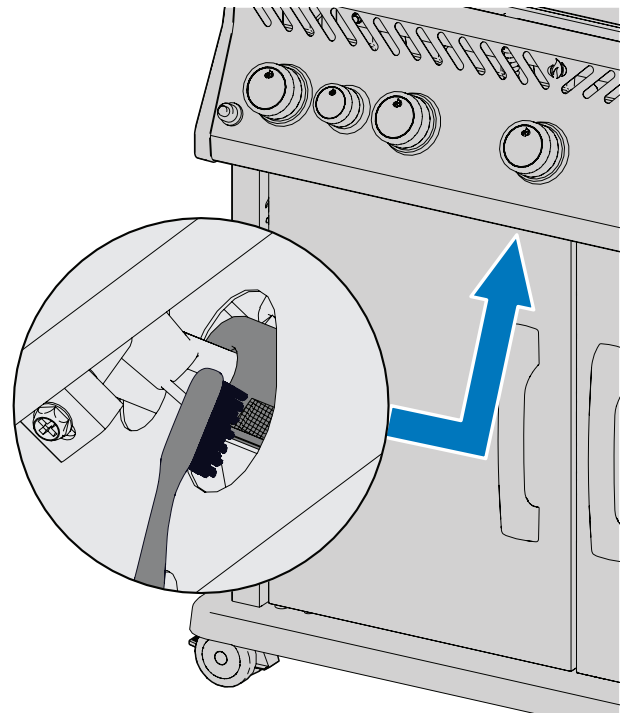
Le brûleur est équipé d'une moustiquaire sur le volet d'air. réduit la probabilité que des insectes construisent des nids à l'intérieur du brûleur, mais... n'élimine pas le problème.

Un nid ou une toile peut faire brûler la flamme du brûleur d'un jaune tendre ou d'un jaune doux. orange et provoquer un incendie ou un retour de flamme au niveau de l'obturateur d'air situé en dessous de l'obturateur. panneau de contrôle.

1. Retirez la ou les vis qui fixent le brûleur à la paroi arrière de l'appareil. le grill à gaz. Faites glisser le brûleur vers l'arrière et vers le haut pour le retirer.
2. Utilisez une brosse à tube de venturi flexible pour nettoyer l'intérieur du brûleur.
3. Secouez les débris détachés du brûleur par l'entrée de gaz.
4. Vérifier si les orifices du brûleur et les orifices des vannes ne sont pas obstrués : brûleur peuvent se fermer avec le temps à cause des débris de cuisson et de la corrosion.
5. Utilisez un trombone ouvert ou le trépan d'entretien de port fourni pour nettoyer les orifices du brûleur.
6. Percer les orifices bloqués à l'aide de la mèche fournie dans un petit trou de perçage perceuse sans fil : cela peut être fait avec le brûleur fixé sur l'appareil. mais c'est plus facile si on le retire du grill.
7. Ne pas fléchir le foret lors du perçage des orifices car le foret se brisera.
8. Ce foret est destiné aux orifices de brûleur NON PAS pour les orifices en laiton qui régulent la température. le débit du brûleur.
9. Ne pas agrandir les trous
10. Assurez-vous que la moustiquaire est propre, serrée et exempte de peluches ou de peluches d'autres débris.
11. Inversez la procédure pour réinstaller le brûleur.
12. S'assurer que la soupape pénètre dans le brûleur lors de l'installation.
13. Remplacez le support de plaque de recherche et serrez les vis pour terminer la réinstallation.

LA SÉCURITÉ D'ABORD!

Portez toujours des gants de protection et des lunettes de sécurité lors de l'entretien de votre grill.



ATTENTION! Il est très important que la valve / l'orifice pénètre dans le tube du brûleur lors de la réinstallation du brûleur après nettoyer et avant d'allumer votre grill à gaz, sinon un incendie ou une explosion pourrait se produire.

ATTENTION! Évitez tout contact non protégé avec des surfaces chaudes.

ATTENTION! Ne pas utiliser de nettoyeurs abrasifs ni de laine d'acier sur les parties peintes, en porcelaine ou en acier inoxydable de votre grill à gaz, car il va rayer la finition



Consignes D'Entretien

Recommandations

Ce gril doit être minutieusement inspecté et entretenu annuellement par un technicien qualifié.

- Ne pas obstruer le flux de ventilation et d'air de combustion.
- Conservez les ouvertures de ventilation de l'enceinte du cylindre situées sur le côté du chariot et à l'avant et à l'arrière de la tablette inférieure. clair des débris..

ATTENTION ! Gardez le gril à gaz à l'écart des matières combustibles, de l'essence et des autres vapeurs inflammables.

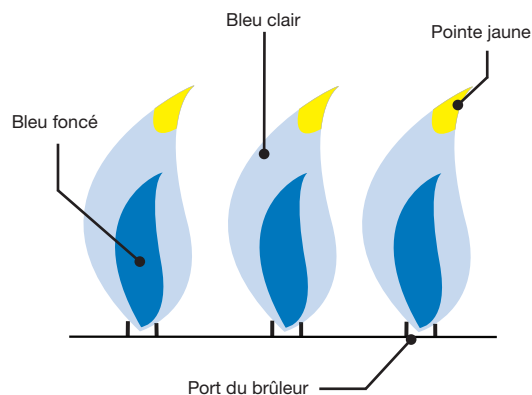


Combustion en réglage d'air



IMPORTANT! Ceci doit être fait par un installateur de gaz qualifié

- L'obturateur d'air est réglé en usine et ne nécessite aucun réglage sous des conditions normales. Des ajustements peuvent être nécessaires sous conditions de terrain extrêmes.
- Les flammes de l'obturateur d'air seront bleu foncé, avec une pointe de lumière bleu et parfois jaune lorsqu'il est ajusté correctement.
- Un débit d'air trop faible vers le brûleur produira de la suie et un jaune paresseux. flammes.
- Trop de flux d'air vers le brûleur provoquera une montée irrégulière des flammes et causera des difficultés enflammées.



Réglage de l'obturateur d'air

1. Retirez les grilles de cuisson et les plaques de cuisson. Laisser le couvercle ouvert.
2. Vous devrez peut-être ouvrir la porte du meuble ou retirer le tiroir du haut (si équipé) pour accéder à la vis d'obturation d'air située à l'embouchure du le brûleur.
3. Retirez le capot arrière pour régler l'obturateur d'air du brûleur à tube arrière.
4. Desserrer la vis de blocage de l'obturateur d'air et ouvrir ou fermer l'obturateur d'air Champs obligatoires.

| Brûleur de tube principal | Propane | Gaz Naturel |
|---------------------------|--------------|--------------|
| RXT425 | 1/2" (13 mm) | 3/8" (10 mm) |
| RXT525 | 1/2" (13 mm) | 3/8" (10 mm) |
| RXT625 | 1/2" (13 mm) | 3/8" (10 mm) |

Remarque: Les brûleurs infrarouges ne disposent d'aucun réglage d'air.

5. Allumez les brûleurs en haut.
6. Inspectez visuellement les flammes du brûleur.
7. Éteignez les brûleurs, serrez les vis de blocage et remplacez les pièces retirées. lorsque les volets sont réglés correctement.
8. Assurez-vous que les moustiquaires sont installées

NOUS VOULONS AIDER!



Contactez le service client Napoléon partager. 1-888-721-8324.

ACIER INOXYDABLE DANS DES ENVIRONNEMENTS DIFFICILES

L'acier inoxydable oxyde ou se tache en présence de chlorures et sulfures, en particulier dans les régions côtières, les zones chaudes et très humides, et autour des piscines et des spas. Ces taches ressemblent à de la rouille, mais elles peuvent être facilement éliminées ou empêchées. Laver les surfaces en acier inoxydable et en chrome toutes les 3-4 semaines.

Entretien du brûleur

- Une chaleur extrême et un environnement corrosif peuvent causer de la corrosion de surface même si le brûleur est fait d'acier inoxydable 304 à paroi épaisse.

Entretien et protection des brûleurs infrarouges

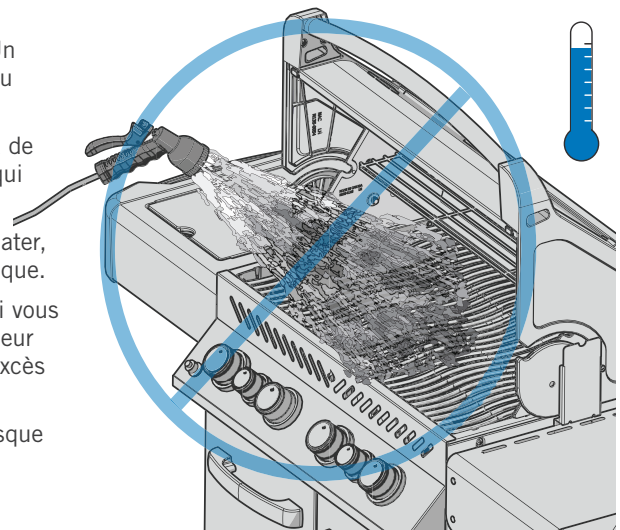
Vos brûleurs infrarouges sont conçus pour offrir une longue durée de vie, mais vous devez faire attention à ne pas fissurer leurs surfaces céramiques, car des fractures pourraient causer un mauvais fonctionnement des brûleurs.



IMPORTANT ! Les dommages causés par le non-respect de ces instructions ne sont PAS couverts par la garantie de votre grill..

Étapes pour éviter d'endommager les surfaces céramiques

1. Ne jamais éteindre une flamme ou contrôler les flammes avec de l'eau.
2. Ne laissez pas de l'eau froide (pluie, gicleur, tuyau d'arrosage, etc.) entrer en contact avec des brûleurs en céramique chaude. Un changement immédiat de température provoquera la fissuration du carreau de céramique.
3. Un brûleur en céramique qui se mouille avant d'être utilisé créera de la vapeur lorsqu'il sera utilisé plus tard et produira une pression qui fissurera la céramique.
4. Un trempage répété de la céramique peut la faire gonfler et se dilater, ce qui produit une pression qui fera craquer et s'effriter la céramique.
5. Inspectez la céramique pour voir si elle peut être imbibée d'eau si vous constatez qu'elle est sur pied. de l'eau dans le grill. Retirez le brûleur si la céramique est humide. Tournez-la à l'envers pour évacuer l'excès d'eau. Faites sécher la céramique à l'intérieur à fond.
6. Ne laissez pas d'objets durs frapper le brûleur. Soyez prudent lorsque
7. l'insertion ou le retrait des grilles de cuisson et l'utilisation d'accessoires..



Impaired ventilation of hot air from the grill

- L'air chaud doit avoir un moyen d'échapper au grill pour que les brûleurs fonctionnent correctement.
- Les brûleurs peuvent se priver d'oxygène si l'air chaud ne peut pas s'échapper, ce qui les mettra à clignoter. La céramique peut se fissurer si cela se produit à plusieurs reprises.

Entretien des tuyaux

- Inspectez le tuyau avant chaque utilisation. N'utilisez pas le tuyau s'il y a des traces d'abrasion excessive ou s'il est coupé.

LA SÉCURITÉ D'ABORD



Jamais couvrir plus que 75% des surface de cuisson avec métal solide, c.-à-d. plaque chauffante ou grand pan.

ATTENTION! L'entretien ne doit être effectué que lorsque le grill est froid afin d'éviter tout risque de brûlure.

ATTENTION! Vérifiez que le tuyau ne présente pas de signes d'abrasion, de fonte, de coupures ou de fissures excessives. remplacé par votre revendeur Napoleon Grill ou un installateur de gaz qualifié.

ATTENTION! Un test d'étanchéité doit être effectué annuellement et chaque fois qu'un composant de la chaîne de gaz est remplacé, ou quand une odeur de gaz est présente.



Le Diagnostic des Anomalies

Problèmes d'éclairage

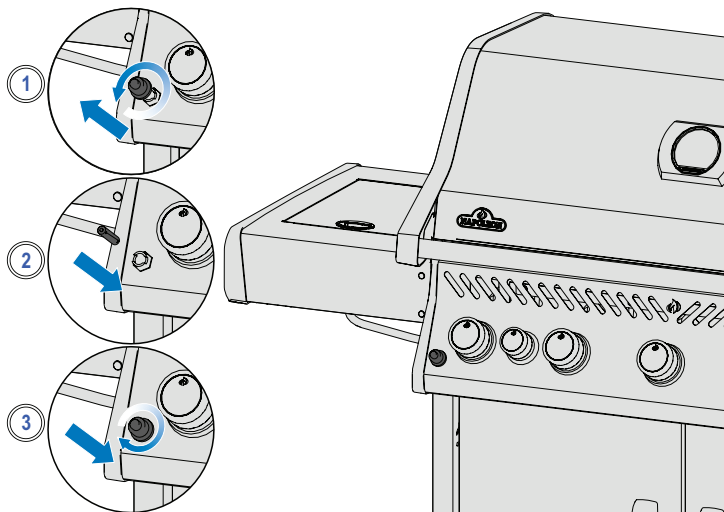
- Les brûleurs principaux, arrière ou latéraux ne s'allumeront pas avec l'allumeur, mais s'allumeront avec une allumette.
- Les brûleurs ne se croisent pas

| | Causes possibles | Solution |
|-----------------------------|---|---|
| Brûleur principal | La sortie JETFIRE est sale ou bouchée | Nettoyez la sortie JETFIRE avec une brosse à poils doux. |
| | Supports croisés sales ou corrodés. | Nettoyez ou remplacez au besoin. |
| Arrière et latéral Brûleurs | Batterie déchargée ou mal installée | Retirez la pile épuisée du produit et remplacez-la par une (une) pile haute performance de qualité supérieure. Remarque : une pile a été fournie avec votre gril. Les piles doivent être insérées avec la bonne polarité. Les piles non rechargeables ne doivent pas être rechargées. |
| | Fil d'électrode desserré ou fils de borne de commutateur. | Vérifiez que le fil de l'électrode est fermement enfoncé sur la borne du arrière de l'allumeur. Vérifiez les fils conducteurs du module au les contacteurs d'allumage (le cas échéant) sont fermement enfoncés dans leurs logements respectifs. terminaux. |
| | Soulèvement des flammes sur le brûleur. | Fermer le volet d'air conformément aux instructions de ce manuel du propriétaire. IMPORTANT! Cela doit être fait par un installateur de gaz qualifié. |

Le brûleur infrarouge clignote.

- En cours de fonctionnement, le brûleur émet brusquement un bruit sourd, suivi d'un son continu du type torche et devient faible

| Causes possibles | Solution |
|--|---|
| Carreaux de céramique surchargés de graisse et d'accumulation de graisse. Les ports sont bouchés | Tournez le brûleur sur OFF et laissez-le refroidir pendant au moins 2 minutes. Reignite brûler à feu ÉLEVÉ pendant au moins 5 minutes ou jusqu'à ce que les carreaux de céramique brillent uniformément de rouge. |
| Le brûleur a surchauffé en raison d'une ventilation inadéquate. Aussi beaucoup de surface de gril couverte par une plaque chauffante ou une casserole. | Assurez-vous que pas plus de 75% de la surface du gril est recouverte d'objets ou des accessoires. Éteignez le brûleur et laissez-le refroidir au moins 2 minutes. Reignite. |
| Fuite du joint entourant le carreau de céramique ou une soudure défaillance dans le boîtier du brûleur | Laissez le brûleur refroidir et inspecter très attentivement les fissures. Contact votre revendeur agréé Napoléon pour commander un brûleur de remplacement assemblage si des fissures sont trouvées |
| Fuite du joint entourant le carreau de céramique ou une soudure défaillance dans le boîtier du brûleur. | Contactez votre revendeur Napoléon agréé pour obtenir des instructions sur la commande d'un brûleur de remplacement. |



NOUS VOULONS AIDER!

Napoléon est là pour assurer votre expérience de griller est mémorable. Contactez nous si vous avez besoin de plus Aidez-moi.

ENREGISTREZ VOTRE GRIL!

Aller à Napoleon.com ou votre guide d'assemblage pour les pièces de rechange.

Flux du gaz.

- Faible chaleur ou flamme basse lorsque la vanne est trop haute
- Les brûleurs brûlent avec une flamme jaune, accompagnés d'une odeur de gaz
- Les flammes se détachent du brûleur, accompagnées d'une odeur de gaz et d'éventuelles difficultés d'éclairage.
- La sortie du brûleur est sur HIGH, mais le réglage est BAS. Bruit sourd et flammes bleues flottant à la surface du brûleur..

| Causes possibles | Solution |
|---|---|
| Propane - procédure d'éclairage inadéquate Détendeur de propane à faible débit. | Assurez-vous que la procédure d'allumage est suivie attentivement. Toutes les vannes à gaz doivent être en position OFF lorsque la valve du réservoir est ouverte. Tourner le réservoir lentement pour permettre à la pression d'égaliser. Voir Fonctionnement - Éclairage Instructions |
| Gaz naturel - conduite d'alimentation sous-dimensionnée. | Le tuyau doit être dimensionné conformément au code d'installation. |
| Fuite du joint entourant le carreau de céramique ou une soudure défectueuse dans le boîtier du brûleur. | Laisser le brûleur refroidir et inspecter très attentivement les fissures. Contacter votre revendeur agréé Napoléon pour commander un brûleur de remplacement assemblage si des fissures sont trouvées. |
| Gaz propane et gaz naturel - préchauffage inapproprié. | Préchauffez le gril avec les deux brûleurs principaux à puissance maximale pendant 10 à 15 minutes. |
| Possible toile d'araignée ou d'autres débris. | Nettoyez soigneusement le nid ou les toiles de l'orifice de votre brûleur en retirez-le et suivez les instructions. |
| Mauvais réglage de l'obturateur d'air. | Ouvrez ou fermez légèrement le volet d'air conformément aux instructions de la page 39 IMPORTANT! Cela doit être fait par un installateur de gaz qualifié. |
| Manque de gaz | Vérifiez le niveau de gaz dans la bouteille de propane. |
| Le tuyau d'alimentation est pincé. | Repositionnez le tuyau d'alimentation si nécessaire |

Peinture écaillée, bruits et éruptions.

- Régulateur de ronflement
- Flambées excessives et chaleur inégale

| Causes possibles | Solution |
|--|---|
| Un bourdonnement normal par temps chaud. | Ce n'est pas un défaut. C'est causé par les vibrations internes du régulateur et n'affecte pas les performances ou la sécurité du gril à gaz. |
| Le robinet de la bouteille a été ouvert trop rapidement. | Les régulateurs de bourdonnement NE SERONT PAS remplacés Ouvrir le robinet de la bouteille lentement |
| Plaques de saisir mal installées. | Assurez-vous que les plaques d'accrochage sont installées avec des trous vers l'avant, et les fentes sur le bas. Voir le manuel d'instructions de montage. |
| Chauffage inapproprié. | Préchauffez le gril avec les deux brûleurs principaux à puissance maximale pendant 10 à 15 minutes. |
| Une accumulation excessive de graisse et de cendres sur les plaques de brûlage et au goutte à goutte la poêle. | Nettoyez les plaques de cuisson et le bac d'égouttage régulièrement. Ne pas aligner pan avec Papier d'aluminium. Reportez-vous aux instructions de nettoyage. |

- La peinture semble se décoller à l'intérieur du couvercle ou de la cagoule

| Causes possibles | Solution |
|---|---|
| Accumulation de graisse sur les surfaces intérieures. | Ce n'est pas un défaut. La finition sur le couvercle et la hotte est en porcelaine, et ne pèle pas. Le pelage est causé par la graisse durcie, qui sèche en éclats de peinture ressemblant à des éclats. Nettoyage régulier sera empêcher cela. Voir les instructions de nettoyage. |

GARANTIE DE 15 ANS DE NAPOLÉON

POUR LES MODÈLES ROGUE® RXT & RSE

Les produits Napoléon sont conçus avec des composants et des matériaux de qualité supérieure, assemblés par des artisans qualifiés qui sont fiers de leur travail. Le brûleur et le montage de la soupape subissent un test de détection de fuites et d'allumage à une station de contrôle de la qualité. Ce gril a été soigneusement inspecté par un technicien qualifié avant d'être emballé et expédié pour garantir que vous, le client, recevez le produit de qualité dont vous vous attendez de Napoléon. Merci d'avoir choisi un produit Napoléon. Napoléon (Wolf Steel Itée, Barrie, ON, Canada) garantit que les composants de votre nouveau produit Napoléon seront exempts de défauts de matériau ou de fabrication à compter de la date de l'achat, pour une durée de 15 ans.



Garantie

| | |
|--|--------|
| Hotte | 15 ans |
| Couvercle en acier inoxydable | 15 ans |
| Couvercle en porcelaine émaillée | 15 ans |
| Pièces en fonte d'aluminium | 15 ans |
| Grilles de cuisson en acier inoxydable | 15 ans |
| Brûleurs tubulaires en acier inoxydable | 15 ans |
| Plaques de brûleur en acier inoxydable | 15 ans |
| Grilles de cuisson en fonte émaillée | 15 ans |
| Brûleur arrière infrarouge en acier inoxydable | 15 ans |
| Brûleur latéral infrarouge | 15 ans |
| Toutes les autres pièces | 15 ans |

CONDITIONS ET LIMITATIONS :

La présente garantie volontaire couvre une période de garantie de 15 ans pour tout produit acheté par l'entremise d'un détaillant autorisé Napoléon, et donne droit à l'acheteur d'origine (ou au destinataire du cadeau dans le cas où un nouveau produit est offert en cadeau) à la couverture spécifiée relativement à tout composant remplacé durant la période de garantie, que ce soit par Napoléon ou un détaillant autorisé Napoléon, pour le remplacement de tout composant qui présente une défaillance dans le cadre d'un usage privé normal à la suite d'un défaut de fabrication. Cette garantie ne couvre pas les accessoires ou les articles en prime.

Il est entendu que l'« usage privé normal » d'un produit signifie que le produit : a été installé (le cas échéant) par un technicien de service ou entrepreneur certifié, conformément aux instructions d'installation incluses avec le produit et à tous les codes locaux et nationaux du bâtiment et de prévention des incendies; a été adéquatement nettoyé et entretenu conformément aux instructions; et n'a pas été utilisé dans une application à usage collectif ou commercial. Dans des applications à usage collectif ou commercial (lorsqu'elles sont approuvées), la garantie est réduite à une période de deux (2) ans.

De la même manière, « défaillance » n'inclut pas : les dommages causés par une surchauffe, les extinctions causées par des conditions environnementales telles que des vents forts ou une ventilation inadéquate, les égratignures, les bosses, la corrosion, la détérioration des finis peints et plaqués, la décoloration due à la chaleur, aux nettoyants abrasifs ou chimiques ou à l'exposition à des rayons UV, l'écaillage des pièces en porcelaine émaillée ou les dommages causés par un mauvais usage, un accident, la grêle, des feux de graisse, un manque d'entretien et de nettoyage, un environnement inadéquat tel que le sel ou le chlore, des altérations, des abus, des négligences ou des pièces installées par d'autres fabricants. Si vous vivez en zone côtière, ou que votre produit est situé près d'une piscine ou d'un spa, l'entretien comprend le lavage et le rinçage réguliers des surfaces externes, comme indiqué dans le manuel d'utilisation du produit, afin de prévenir la corrosion de surface. Dans le cas d'une détérioration des composants causant le mauvais fonctionnement de l'appareil (perforation par la rouille ou la surchauffe) pendant la période couverte par la garantie, les pièces de rechange seront fournies par Napoléon. Les pièces remplacées en vertu de cette garantie, ne sont garanties que pour le reste de la période de garantie initiale de quinze (15) ans mentionnée ci-dessus.

Les composants de rechange relèvent de la seule responsabilité de Napoléon telle que définie par la présente garantie; en aucun cas, Napoléon ne saurait être tenu responsable de l'installation, de la main-d'œuvre ou de tous autres coûts ou dépenses relatifs à la réinstallation d'une pièce garantie, de tous dommages accessoires, consécutifs ou indirects ni de tous frais de manutention et de transport, ou taxes d'exportation.

L'utilisation ou l'installation de pièces autres que des pièces d'origine Napoléon sur votre produit Napoléon annulera cette garantie, et tout dommage qui en résulterait n'est pas couvert par cette garantie. Toute conversion de gril à gaz non autorisée par Napoléon et effectuée par un technicien de service autorisé Napoléon annulera cette garantie.





SERIE ROGUE[®]

Manual del Usuario

RXT425SB, RXT525, & RXT625SIB

Las parrillas que se ilustran en este manual pueden diferir del modelo adquirido.



Visita Napoleon.com para registrar tu parrilla y darnos tus comentarios. ¡Valoramos tu opinión!

Coloque Aquí el Número de Serie



¡FELICIDADES POR ADQUIRIR TU PARRILLA NAPOLEON!

Acabas de elevar tu potencial como Chef Parrillero.

EN NAPOLEON QUEREMOS QUE TUS EXPERIENCIAS FRENTE AL ASADOR SEAN MEMORABLES Y SEGURAS.

Por favor, lee y sigue este Manual antes de usar tu parrilla para evitar potenciales daños a tu propiedad, heridas a tu persona o la muerte.

Retire completamente todo empaque, material promocional y etiquetas de la parrilla antes de encenderla.

UTILIZA TU PARRILLA AL AIRE LIBRE Y EN ESPACIOS BIEN VENTILADOS

PELIGRO!

SI PERCIBE EL OLOR A GAS

- Detenga el flujo del gas a la parrilla.
- Extinga cualquier llama abierta
- Abra la tapa de la parrilla
- Si el olor continua, retírese de la parrilla e inmediatamente llame a su proveedor de gas o al departamento de bomberos.

ADVERTENCIA!

No encienda la parrilla sin antes haber leído las Instrucciones de Encendido en este manual.

No guarde o use gasolina u otros productos inflamables en las cercanías de esta o cualquier otra parrilla.

Un cilindro de gas propano que no esté debidamente conectado al asador no debe guardarse en las cercanías de esta o cualquier otra parrilla.

Si no sigue las instrucciones exactamente como las describe este manual, corre el riesgo de provocar un incendio o explosión que puede causar daños a la propiedad, heridas a su persona o la muerte.

Este atento a los peligros del contacto con superficies calientes. Los niños que se encuentren en las cercanías de la parrilla deben matenerse bajo la supervisión de un adulto.

AVISO AL INSTALADOR: Deje estas instrucciones con el dueño de la parrilla para referencia futura.

AVISO AL CONSUMIDOR: Guarde estas instrucciones para referencia futura.

Bienvenido a Napoleon!

LA SEGURIDAD ES PRIMERO



¡ADVERTENCIA! Información General

Esta parrilla debe ser instalada en conformidad con los códigos locales en vigor o, en ausencia de códigos locales, en conformidad con las siguientes normas según corresponda: "Natural Gas and Propane Installation Code CSA B149.1" en Canadá, o el "National Fuel Gas Code ANSI Z223.1/NFPA 54" en los Estados Unidos.

Si utiliza un motor de asador asegúrese que esté eléctricamente conectado a tierra en conformidad con los códigos locales en vigor o, en ausencia de códigos locales, en conformidad con las siguientes normas según corresponda: "Canadian Electrical Code CSA C22.1" en Canadá o el "National Electrical Code ANSI/NFPA 70" en los Estados Unidos.



¡ADVERTENCIA! Instalación y Ensamblado

Esta parrilla se debe ensamblar de acuerdo a las instrucciones descritas en su Guía de Ensamblaje incluidas con su parrilla. Si la parrilla fue armada en la tienda, revise las instrucciones para asegurar que se ha hecho adecuadamente. Realice las pruebas de fuga requeridas antes de encender la parrilla.

No modifique esta parrilla bajo ninguna circunstancia.

No utilice un tanque de propano que no esté equipado con un tipo de conexión QCC1.

Sólo utilice el regulador de presión suministrado con esta parrilla, o partes de repuesto específicamente recomendadas por Napoleon.



¡ADVERTENCIA! Operación

Lea este Manual del usuario antes de operar la parrilla.

Realice las pruebas de fuga antes de cada uso, anualmente y cuando cualquier componente de gas sea reemplazado.

Siga las instrucciones de encendido cuidadosamente



¡ADVERTENCIA! Almacenamiento y Desuso

Cierre el flujo de gas del tanque de propano o cierra la válvula del gas natural.

Desconecte la manguera de gas. Retire el tanque de gas propano y almacene la parrilla al aire libre en un espacio ventilado y alejado de los niños. No guarde tanques de gas en edificios, cocheras, cobertizos, o cualquier otro espacio cerrado.

Retire la conexión de gas natural del suministro cuando almacene la parrilla en interiores.



¡ADVERTENCIA! Propuesta 65 del Estado de California

El uso de este producto puede exponerlo a sustancias químicas como el hollín y monóxido de carbono que, de acuerdo al Estado de California, pueden ser causantes de cáncer, defectos de nacimiento, y otras lesiones reproductivas. Para más información visite www.P65Warnings.ca.gov



TELÉFONO:
1-866-820-8686



E-MAIL
grills@napoleon.com

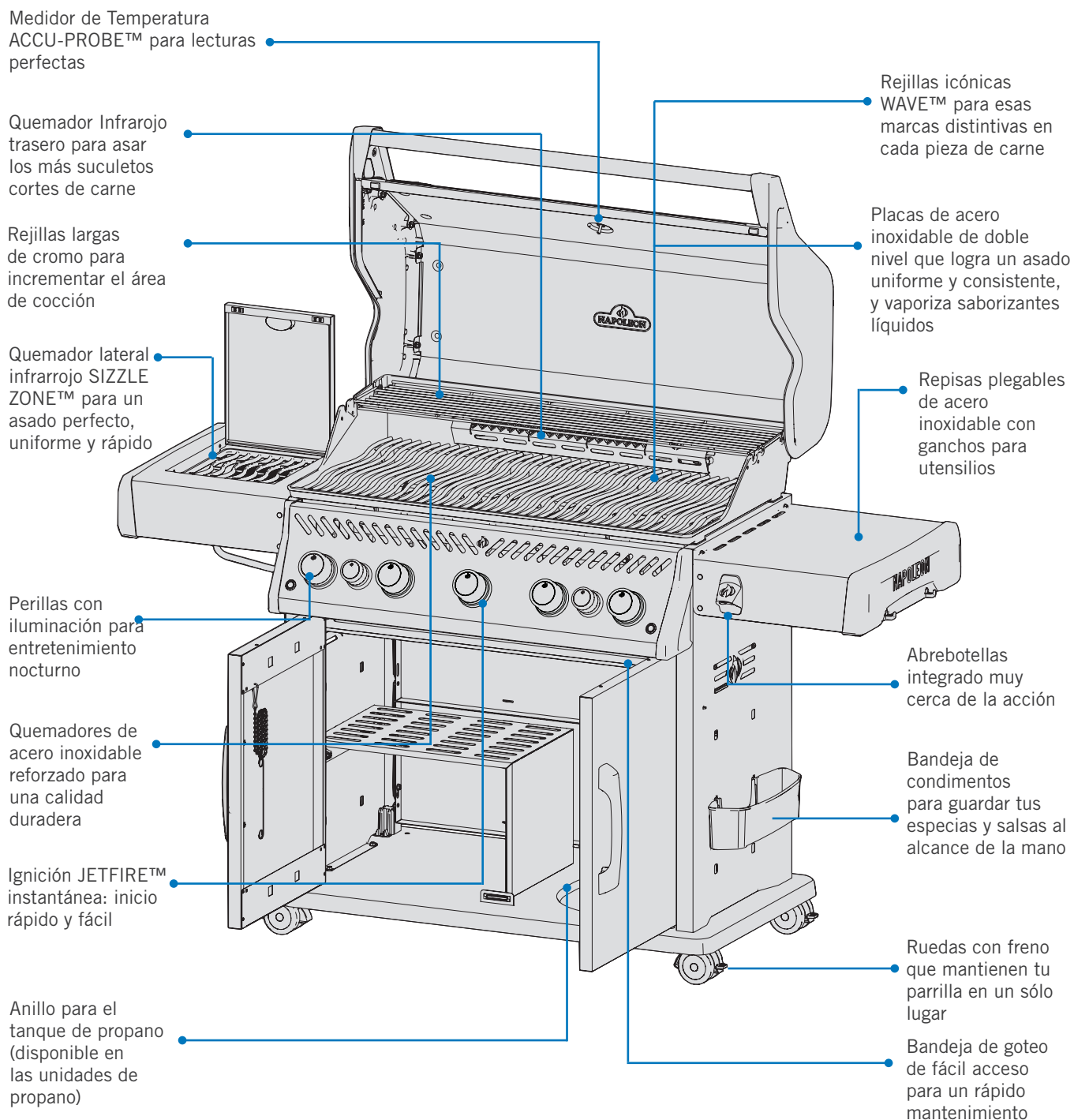


ONLINE
www.napoleon.com

CONTENIDOS

| | |
|--|----|
| Bienvenido a Napoleon! | 47 |
| La Seguridad es Primero | |
| Características completas del sistema Rogue® | 48 |
| Para comenzar | 49 |
| Prácticas de Operación Segura | |
| Conexiones de Gas | |
| Pruebas de Fugas | |
| Operación | 53 |
| Encender la Parrilla | |
| Asando en la Parrilla | |
| Cómo Rostizar usando el Quemador Trasero | |
| Consejos y Sugerencias | |
| Cómo Curar su Parrilla | |
| Guía de Cocción | 57 |
| Quemador Infrarrojo | |
| Instrucciones de Limpieza | 58 |
| Instrucciones de Mantenimiento | 61 |
| Combustión en el ajuste de aire | |
| Acero Inoxidable en Condiciones Adversas | |
| Solución de problemas | 63 |
| Garantía | 65 |

Características completas del sistema Rogue®



Las parrillas ilustradas en este Manual del Usuario pueden diferir del modelo adquirido.

Para comenzar



PELIGRO / ADVERTENCIA! Avisa de un peligro que puede resultar en un incendio, explosión, muerte o serias heridas físicas.



ADVERTENCIA / PRECAUCIÓN! Avisa de un peligro que puede ocasionar heridas físicas menores o daños a la propiedad.



Siempre utilice guantes protectores



Siempre utilice lentes de seguridad



PRECAUCIÓN! Superficie Caliente



Información Importante



No fume mientras revisa la parrilla por fugas. Una chispa o fuente de fuego puede causar una situación peligrosa.



Nunca use una flama abierta para detectar fugas. El fuego abierto o una chispa puede ocasionar un incendio o explosión.



DETÉNGASE! Cierre inmediatamente el suministro del gas y desconecte la parrilla.

PRÁCTICAS DE OPERACIÓN SEGURA

- No posicione la manguera por debajo de la bandeja de goteo. Mantenga una distancia apropiada entre la manguera y la parte baja de la unidad.
- Asegúrese que las placas estén colocadas correctamente sobre los quemadores de acuerdo con las instrucciones de instalación
- Los quemadores deben estar apagados cuando abra la válvula del suministro de gas en el tanque de propano.
- No encienda los quemadores con la tapa cerrada.
- No encienda los quemadores traseros cuando los principales se encuentran operando.
- No cierre la tapa de del quemador lateral cuando esté caliente o encendido.
- No ponga a freír alimentos en el quemador lateral.
- No mueva las rejillas de la parrilla cuando está encendida o caliente.
- Realice mantenimiento a la parrilla una vez que ésta se haya enfriado.
- No almacene encendedores, fósforos, o cualquier otro combustible en la bandeja de condimentos.
- Mantenga todos los cables eléctricos y la manguera de suministro de gas alejados de superficies calientes.
- Limpie la bandeja de goteo regularmente para evitar fuegos por acumulación de grasa
- El tubo venturi del quemador infrarrojo se puede obstruir por telarañas; asegúrese de revisarlo y limpiarlo periódicamente.
- No coloque su parrilla donde pueda estar expuesta a fuertes corrientes de aire, especialmente si el viento puede impactar la parte trasera de la unidad de forma directa.
- No permita que el agua fría (lluvia, aspersores, manguera, etc.) entre en contacto con la parrilla caliente. Un cambio inmediato en temperatura ocasionará fracturas en la cerámica de los quemadores.
- No lave con agua a presión ninguna parte de esta parrilla
- Nunca cubra más del 75% de la superficie de la parrilla con metal sólido.
- Mantenga cualquier material combustible a una distancia de 20" (508 mm) a la parte posterior de su parrilla y 7" (178 mm) a los lados.
- Una distancia adicional de 24" (610 mm) es recomendada para el revestimiento de vinilo o paneles de vidrio.

¡PRECAUCIÓN! La instalación y conexión de la manguera de gas natural debe ser realizado por un instalador certificado.

¡PRECAUCIÓN! Asegúrese que la manguera del gas no haga contacto con ninguna superficie que pueda llegar a altas temperaturas durante el uso de la parrilla.

¡PRECAUCIÓN! No mueva o reubique la parrilla cuando está caliente o en uso.



CONEXIONES DE GAS

A un tanque de propano

Únicamente utilice tanques de propano de 20 libras (9.1 Kg) fabricado y marcado de acuerdo a las "Specifications for LP gas Cylinders of the U.S. Department of Transportation (D.O.T.)" o el "Standard for Cylinders, Spheres and Tubes for Transportation of Dangerous Goods and Commission, CAN/CSA-B339", como corresponda.

Solo utilice un regulador especificado por el fabricante con una presión de suministro de 11 pulgadas de columna de agua (0.39 psi). Se debe utilizar también una conexión de tipo QCC1 para tanques de propano portátil.

El dispositivo de conexión del tanque debe ser compatible con esta parrilla.

Un tanque de propano portátil debe tener:

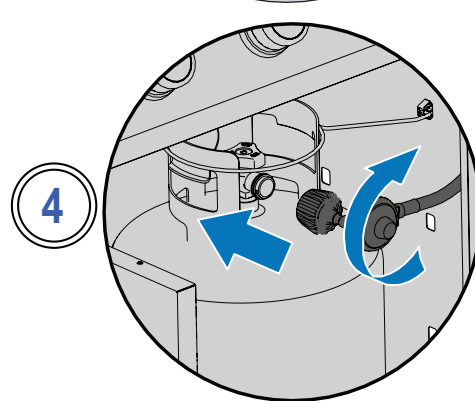
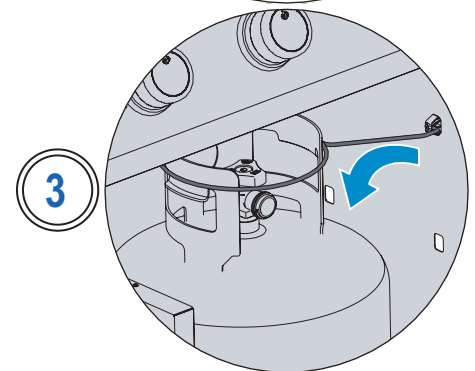
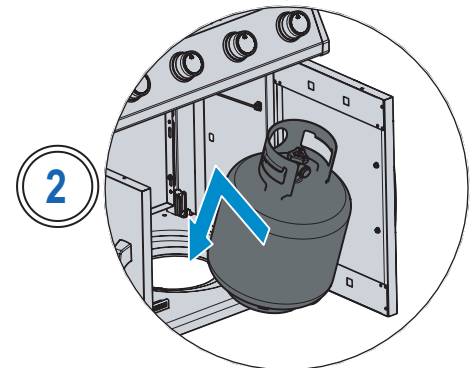
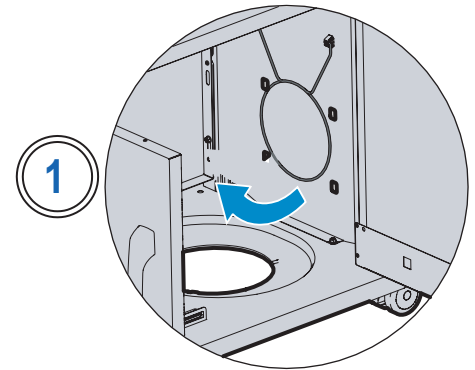
- una válvula de cierre y un dispositivo de alivio de seguridad.
- un dispositivo de extracción de vapor
- un collar para proteger la válvula del tanque
- un dispositivo de protección contra sobrellenado.

Conexión e Instalación

- Revise que el tanque no presente abolladuras u oxidación. Asegúrese que sea inspeccionado por su proveedor.
- Nunca utilice un tanque con la válvula dañada.
- Coloque el tanque en el hueco designado en la base de la parrilla. El anillo de retención debe ajustar propiamente en el tanque.

Conexión correcta de la manguera

- Asegúrese que la manguera del regulador no tenga desperfectos.
- Sujete la manguera al panel lateral usando el clip de retención.
- No pase la manguera debajo de la bandeja de goteo.
- Retire la tapa o tapón de la válvula de combustible del tanque.
- Inserte la boquilla del regulador QCC1 en la válvula de combustible. Apriete a mano hacia la derecha sin utilizar herramientas.
- Asegure que la manguera no haga contacto con ninguna superficie caliente.
- Revise que todas las uniones no presenten fugas antes de operar la parrilla. Vea "PRUEBA DE FUGAS" en la página 52.



¡ADVERTENCIA! No guarde tanques de propano de repuesto en las inmediaciones de esta parrilla.

¡ADVERTENCIA! Nunca utilice un tanque de propano que esté lleno a más del 80% de capacidad.

¡ADVERTENCIA! Siga todas las especificaciones e instrucciones contenidas en este manual para prevenir un incendio, explosión, daños a la propiedad, muerte o heridas físicas de gravedad.



A una línea de suministro en casa habitación

- Una manguera de gas y un equipo de desconexión rápido diseñados para gas natural y certificado para uso en exteriores se incluyen junto con las parrillas de gas natural.
- La tubería debe suministrar 7 pulgadas columna de agua de presión.
- La tubería y las válvulas de la desconexión rápida en dirección ascendente no están incluidas.
- Las tuberías del gas deben tener tamaño suficiente para proveer los BTU/h especificados en la etiqueta de clasificación de acuerdo con la longitud de las tuberías.
- Vea la información de certificaciones y códigos en “ADVERTENCIA! Información General” en la página 47 de este manual.

Conexión correcta de la manguera

1. La conexión a una línea de suministro de gas debe ser realizada por personal calificado y debe probarse por fugas antes de operar la parrilla.
2. Sujete la manguera al panel lateral usando el clip de retención.
3. No pase la manguera debajo de la bandeja de goteo.
4. Asegure que la manguera no haga contacto con ninguna superficie caliente.

Desconexión Rápida

- No instale la Desconexión rápida en dirección ascendente.
- Se debe instalar una válvula de cierre manual cerca de la desconexión rápida para fácil acceso. Conecte el extremo amplio de la manguera al tubo múltiple (si aplica). Apriete usando dos llaves inglesas, no sellador.
- Realice una prueba de fugas antes de operar la parrilla.

SEA CUIDADOSO



La tapa y el cuerpo de la parrilla puede calentarse en extremo cuando está en uso.

¡ADVERTENCIA! Desconecte por completo la parrilla y la válvula de cierre individual del sistema de suministro de gas cuando una prueba de presión resulta estar por encima de 0.5 psi (3.5 kPa).

¡ADVERTENCIA! Cierre la válvula individual cuando una prueba de presión resulta ser igual o menor a 0.5 psi (3.5 kPa).

¡ADVERTENCIA! Si la manguera presenta abrasiones excesivas, derretimiento, cortes o fisuras debe ser reemplazada utilizando piezas recomendadas por distribuidores autorizados de Napoleon.

¡ADVERTENCIA! Siga todas las especificaciones e instrucciones en este manual para prevenir un incendio, explosión, daños a la propiedad, heridas o la muerte.



PRUEBAS DE FUGAS

¿Cuándo y Por qué realizar prueba de fugas?

Una prueba de fugas confirma que no haya un escape de gas después de haber conectado la manguera al suministro.

Cada vez que reinstale el tanque realice una prueba de la unión entre el regulador, la manguera, y la boquilla del tanque de gas.

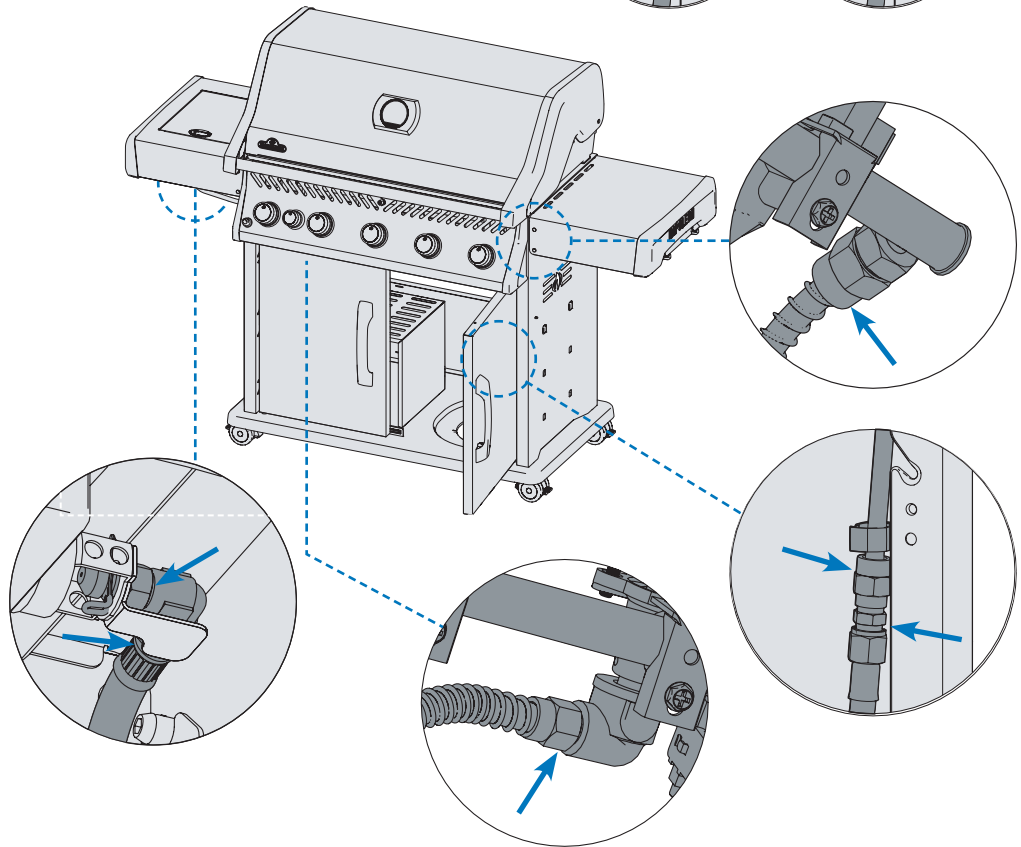
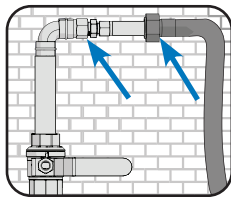
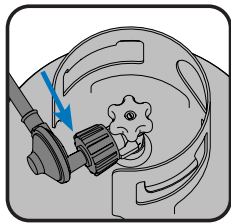
Realice esta prueba de forma anual, antes de cada uso y cuando un componente sea reemplazado.

Si encuentra una fuga

1. Apriete cada unión que pueda estar suelta.
2. Cierre inmediatamente la válvula del suministro de gas si la fuga no puede detenerse y desconecte.
3. Lleve la parrilla a ser revisada por un instalador certificado o distribuidor.
4. No utilice la parrilla hasta que la fuga haya sido resuelta.

Pasos de la prueba

1. No fume mientras realiza esta prueba.
2. Retire toda fuente de ignición.
3. Coloque las perillas de los quemadores en la posición de Apagado.
4. Enciende la válvula del suministro del gas.
5. Utilizando una brocha coloque una solución mitad agua, mitad jabón líquido and todas las uniones y conexiones a lo largo de la manguera, regulador, tubo múltiple y válvulas.
6. Las burbujas indican una fuga de gas



¡ADVERTENCIA! Nunca use una flama abierta para detectar fugas. El fuego abierto o una chispa puede ocasionar un incendio o explosión.

¡ADVERENCIA! Únicamente utilice el regulador de presión y manguera incluidos con esta parrilla.



Operación

ENCENDER LA PARRILLA

¿Está a punto de estrenar su parrilla? Realice un quemado inicial

Deje los quemadores encendidos por 30 minutos. Es normal que la parrilla emita un olor la primera vez que se enciende, sin embargo esto no vuelve a suceder. Este olor es causado porque las pinturas internas y lubricantes usados en el proceso de manufactura se queman.

Quegador Principal

1. Empuje la perilla del quemador principal y gire lentamente en dirección contraria a las manecillas del reloj hasta quedar en la posición de llama alta hasta que el piloto se encienda. Continúe presionando la perilla hasta el quemador prenda fuego y luego suelte.
2. Si el piloto no enciende, regrese la perilla a la posición de apagado al girar en sentido de las manecillas del reloj y repita el paso 2.
3. Si el piloto y el quemador no encienden en 5 segundos, regrese la perilla a la posición de apagado al girar en sentido de las manecillas del reloj. Espere 5 minutos o hasta que el gas se haya disipado. Repita los pasos 2 y 3. Si aún no funciona, encienda con un fósforo.

(Fig. 1)

Quegador trasero (si está equipado)

1. Abra la cubierta de la parrilla.
2. Retire la rejilla de calentamiento.
3. Presione y lentamente gire la perilla del quemador trasero en dirección contraria a las manecillas del reloj hasta llegar a la posición de llama alta.
4. Mantenga presionado el botón de ignición hasta que el quemador se haya encendido.
5. Si el quemador no enciende, regrese la perilla a la posición de apagado, espere 5 minutos y repita el paso 4. Si aún no funciona, encienda con un fósforo.

(Fig. 1)

Quegador lateral (si está equipado)

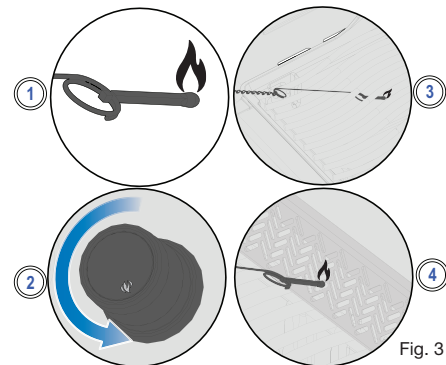
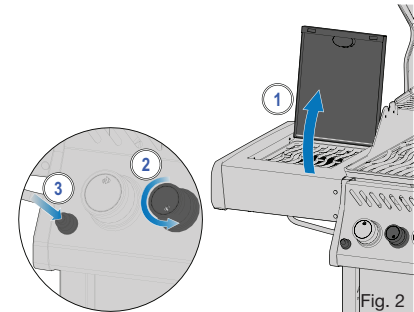
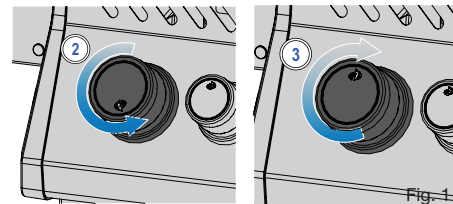
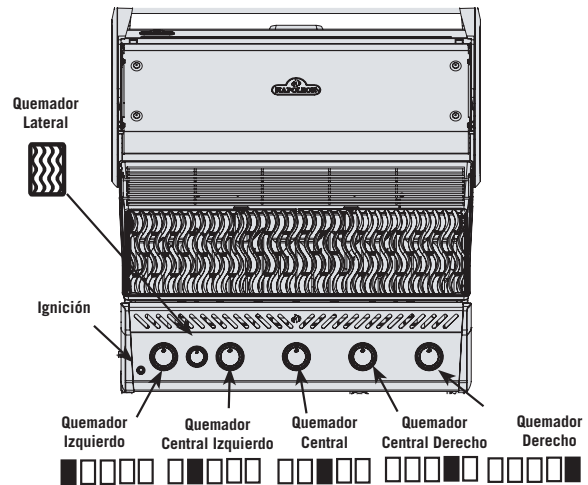
1. Abra la cubierta de la parrilla.
2. Presione y lentamente gire la perilla del quemador lateral en dirección contraria a las manecillas del reloj hasta llegar a la posición de llama alta.
3. Mantenga presionado el botón de ignición hasta que el quemador se haya encendido.
4. Si el quemador no enciende, regrese la perilla a la posición de apagado, espere 5 minutos y repita el paso 3.

(Fig. 2)

Encendido con fósforo

1. Coloque el fósforo en la varilla incluida.
2. Inserte el fósforo encendido entre las rejillas y las placas sobre los quemadores mientras gira la perilla correspondiente a la posición de llama alta.

(Fig. 3)



¡ADVERTENCIA! No almacene encendedores, fósforos o algún otro combustible en la bandeja de condimentos.

¡ADVERENCIA! No use el quemador trasero cuando el quemador principal está encendido.



¡PRECAUCIÓN! Asegure que la tapa de la parrilla está abierta al encenderla.

¡ADVERENCIA! Asegure que las perillas están en la posición de apagado antes de abrir lentamente la válvula del gas.



ASANDO EN LA PARRILLA

Uso del quemador principal

- Precaliente la parrilla antes de colocar los alimentos. Para esto opere el quemador principal con la llama alta y la tapa cerrada por aproximadamente 10 minutos.
- La comida que se cocina por periodos cortos de tiempo como lo es el pescado y los vegetales pueden asarse con la tapa abierta.
- Asar con la tapa cerrada es la manera de asegurar altas y consistentes temperaturas para lograr un asado parejo al mismo tiempo que reduce el tiempo de cocción.
- Las rejillas deben humedecerse con aceite antes de precalentar la parrilla. Esto evita que la carne se adhiera a la parrilla, especialmente cuando se asa carne magra como pechugas de pollo o puerco.
- Los cortes que toman más de 30 minutos como los rostizados se pueden cocinar indirectamente con el quemador opuesto encendido. Vea Asado Indirecto en seguida.
- Recorte el exceso de grasa de la carne para evitar llamaradas, o reduzca la temperatura de la parrilla.
- En caso de llamaradas, retírese del fuego y baje la llama para ratar de reducir la temperatura. Deje la tapa abierta.

Asado Directo

Este método se usa para sellar cortes de carne o cocinar alimentos que requieren de un corto tiempo de exposición al fuego como las hamburguesas, filetes, pollo o verduras.

Coloque la comida directamente en la rejilla sobre el quemador que está encendido.

Selle la carne primero para retener más jugo y sabor.

Baje la llama para terminar de cocinar de acuerdo a su preferencia.

Asado Indirecto

Este método utiliza bajas temperaturas circulando el calor de manera constante para que los alimentos se cocinen lenta y uniformemente.

Emplee este método con cortes de carne grandes o propensos a causar llamaradas como cuando asa o rostiza pollo o pavo.

Posiciona la comida a un lado de la parrilla y enciende el o los quemadores del lado contrario de forma que los alimentos no estén directamente sobre el fuego.

Cocine a bajas temperaturas, por tiempos más largos y con la tapa de la parrilla cerrada para obtener cortes más tiernos y suaves.

Quegador lateral Range (si está equipado)

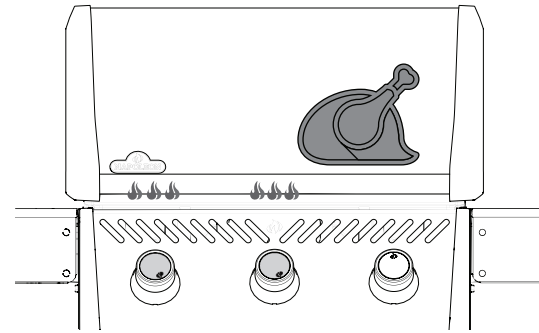
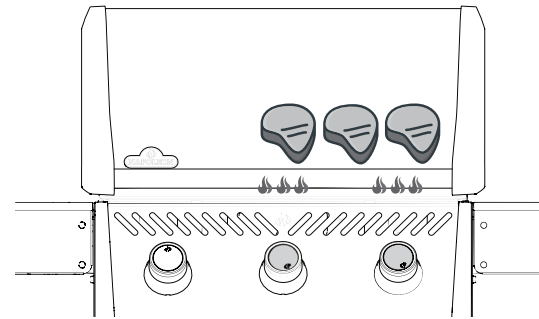
Este quemador se puede usar como el de una estufa para cocinar gravy, sopas u otros guisos.

Se recomienda utilizar sartenes de 10" (25 cm) de diámetro.

El desempeño del quemador se verá afectado si está expuesto a ráfagas de viento. Procure colocar la parrilla donde esté protegida del viento.

Asar por la noche

Pulse el botón marcado con una bombilla ubicado en el panel de control para iluminar las perillas.



CONSEJOS DE LOS EXPERTOS!

Logra deliciosos ahumados utilizando los varios accesorios que ofrece Napoleon.

CONSEJOS DE LOS EXPERTOS!

Utiliza un termómetro para revisar la temperatura interna de la carne y lograr cocciones perfectas.

¡ADVERTENCIA! Nunca coloque alimentos directamente sobre el quemador lateral Range. Únicamente está designado para su uso con sartenes.

¡ADVERTENCIA! No cierre la tapa del quemador lateral cuando éste se encuentra operando o sigue caliente.

¡ADVERTENCIA! No ponga alimentos a freír en el quemador lateral. Manejar grandes cantidades de aceite cerca de la parrilla puede ser peligroso.

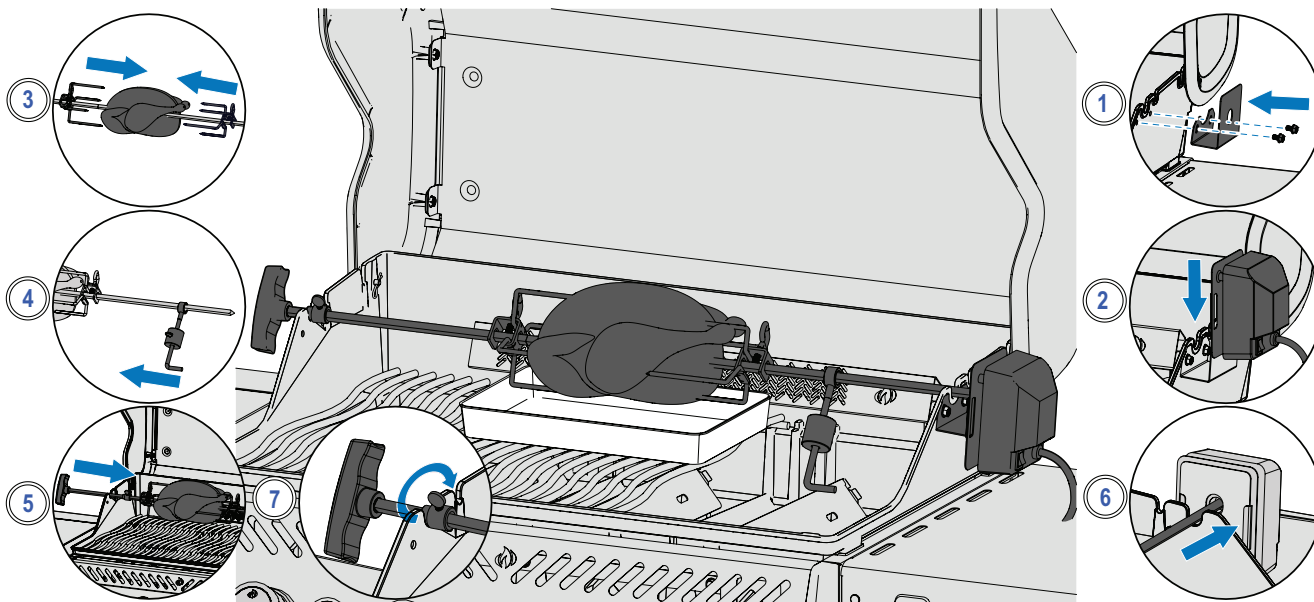
¡ADVERTENCIA! Limpie la grasa acumulada en toda la parrilla regularmente para evitar posibles incendios.



CÓMO ROSTIZAR USANDO EL QUEMADOR TRASERO (SI ESTÁ EQUIPADO)

Asador eléctrico giratorio

1. Retire las rejillas superiores antes de comenzar a armar el asador. El calor excesivo puede dañar las rejillas.
2. Instale el motor del asador en las monturas. Coloque la carne en la varilla de tu rosticero usando uno de los tenedores.
3. Coloque el segundo tenedor por el lado opuesto de la varilla y empuje hasta haber sujetado la carne completamente y no quede ninguna pieza suelta.
4. Deslice el contrapeso en la varilla para balancearla.
5. Coloque la varilla armada y con la carne bien sujeta en las perchas a ambos lados de las paredes de la parrilla.
6. Verá que la parte más pesada de la carne naturalmente colgará hacia abajo.
7. Ajuste el contrapeso a lo largo de la varilla como corresponda para lograr un buen balance. Una vez que esté posicionado apriete hasta que el brazo apunte hacia arriba.
8. Como opción: puede colocar una charola de aluminio debajo de la carne para reunir el jugo que gotee.
9. Encienda el motor y el quemador trasero.



¿Desea sacarle más provecho a su asador?

- Mantenga el quemador trasero con la llama alta hasta que la carne presente un color café dorado. Entonces reduzca el fuego y continúe asando con la tapa cerrada.
- Utilice un termómetro para revisar la temperatura interna de la carne.
- Las aves deben dorarse por fuera y mantenerse tiernas por dentro.
- Utilice el jugo recolectado para bañar la carne periódicamente o hacer gravy.
- Un pollo de 3 libras se asa en aproximadamente 1 ½ horas en calor medio a alto.

Asar hasta 3 pollos al tiempo

1. Ate las alas del pollo al cuerpo.
2. Deslice uno de los tenedores para asar en la varilla.
3. Coloque el primer pollo en la varilla hasta asegurarlo en el tenedor.
4. Coloque los siguientes dos pollos en la varilla.
5. Inserte el segundo tenedor en el último pollo y empuje hasta que las tres piezas estén muy juntas y cubran la totalidad de la varilla.

SABÍAS QUE?

Puede retirar el resto de las rejillas si interfieren con la rotación de grandes piezas de carne.

¡ADVERTENCIA! La salsa Barbecue y la sal son corrosivas y pueden causar deterioro acelerado en los componentes de la parrilla si no se limpia con regularidad.

¡PRECAUCIÓN! Desinstale los componentes del asador cuando termine de rostizar. Lávelos inmediatamente con agua tibia y jabón. No los deje o guarde en el exterior o en la parrilla.

¡PRECAUCIÓN! Use guantes resistentes al calor para armar, desarmar o mover los componentes del asador si están calientes.



CONSEJOS Y SUGERENCIAS

¿Estoy listo para cocinar en la parrilla?

- Leí el Manual del Usuario**

He leído este manual y conozco todas las medidas de seguridad.

- La bandeja para recolectar la grasa que gotee está limpia**

Siempre me aseguro de limpiar la bandeja para la grasa antes de usar la parrilla para evitar llamaradas.

- La manguera de gas está en buenas condiciones**

Cuando la parrilla está fría y apagada, reviso la manguera del gas para asegurarme que no tenga cortes o señales de abrasiones excesivas.

- Precalenté la parrilla y las rejillas están limpias**

Cubro la superficie de las rejillas con manteca vegetal, nunca con mantequilla o margarina saladas, y las limpio con un cepillo de cerdas metálicas como lo mencionan las Instrucciones de Limpieza. Luego precaliento la parrilla para quemar el exceso de residuos.

NOTE: El acero inoxidable es más resistente y durable por lo que requieren de menor mantenimiento y limpiezas menos frecuentes que las rejillas de hierro.

- Mi área está lista para cocinar**

Me aseguro que todo lo que necesito para cocinar está al alcance: condimentos, salsas, utensilios, entre otros. También nunca dejo los alimentos desatendidos o podrían quemarse.

- La tapa sólo se abre una vez.**

Intento no abrir la tapa para ver la comida demasiadas veces. Sé que el calor puede escaparse alterando la temperatura y el tiempo de cocción. Sólo la abro una vez para voltear la carne, especialmente los filetes de res y el pollo.

- La carne está bien espaciada**

Siempre dejo suficiente espacio entre la carne para tener libertad de moverla si lo necesito.

- La temperatura es apropiada**

Hago uso de un termómetro para asegurar que la carne se cocine apropiadamente, según las guías de temperatura para cada tipo de carne.

CONSEJO DE LOS EXPERTOS!



Inspire sus parrilladas con las deliciosas recetas y técnicas que encontrará en www.napoleon.com y en los libros de cocina de Napoleon

CONSEJO DE LOS EXPERTOS!










Siempre precaliente la parrilla para eliminar residuos de comida y prevenir que la carne se adhiera a las rejillas.

CÓMO CURAR SU PARRILLA

1. Utilice un limpiador de tela suave para untar las rejillas con grasa vegetal. No utilice mantequilla o margarina con sal.
2. Cierre la tapa y encienda los quemadores a fuego medio.
3. Permita que se caliente por 30 minutos.
4. Apague los quemadores y cierre el flujo del gas.
5. Deje que las rejillas se enfríen.

Guía de Cocción

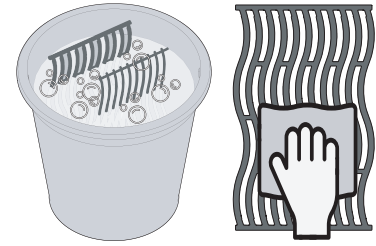
QUEMADOR INFRARROJO

| TIPO DE ALIMENTO | POSICIÓN DE LA PERILLA | TIEMPO DE COCCIÓN | SUGERENCIAS |
|---|--|---|---|
|  Filete de res Grosor: 1 pulgada (2.54 cm) | ALTO – 2 minutos por lado | Medio – 4 minutos | Pide cortes de grasa veteada. La grasa es un suavizante natural y conserva la carne jugosa. |
| | ALTO a MEDIO – A fuego alto por 2 minutos por lado, luego reducir a fuego medio | Tres cuartos – 6 minutos | |
| | | Bien cocido – 8 minutos | |
|  Hamburguesa Grueso de ½ pulgada (1.27 cm) | ALTO – 2 minutos por lado | Medio – 4 minutos | Mantenga el grosor de la hamburguesa consistente para asegurar el mismo tiempo de cocción. Hamburguesas de una o más pulgadas de grosor deben cocinarse usando fuego indirecto. |
| | ALTO – 2 ½ minutos por lado | Bien cocido – 5 minutos | |
| | ALTO – 3 minutos por lado | Bien cocido – 6 minutos | |
|  Pollo | ALTO, MEDIO, BAJO – mantener a fuego alto por 2 minutos de cada lado, después baje el fuego a nivel medio-bajo o bajo. | 20 – 25 minutos | Haga un corte parcial de $\frac{3}{4}$ en la unión del cuerpo y el muslo de manera que todo el pollo esté sobre el quemador y se cocine uniformemente. |
|  Chuletas de cerdo | MEDIO | 6 minutos por lado | Elija cortes gruesos para tener carne más suave. Recorte el exceso de grasa. |
|  Costillas | ALTO a BAJO – Fuego alto por 5 minutos, después mantener en fuego bajo hasta que la carne termine de cocinarse. | 20 minutos por lado volteando repetidamente | Elija costillas de carne magra. Cocine hasta que la carne se desprenda fácilmente del hueso. |
|  Chuletas de cordero | ALTO a MEDIO – Fuego alto por 5 minutos, después mantener en fuego medio hasta que la carne termine de cocinarse. | 15 minutos por lado | Elija cortes gruesos para tener carne más suave. Recorte el exceso de grasa. |
|  Hot dogs | MEDIO a BAJO | 4 – 6 minutos | Seleccione salchichas largas y corte parcialmente a lo largo antes de colocar en la parrilla. |

Instrucciones de Limpieza

Antes de usar por primera vez

1. Lave las rejillas a mano con agua enjabonada para remover cualquier residuo dejado por el proceso de manufactura. No lave en lavavajillas.
2. Enjuague completamente con agua caliente y seque usando un limpiador de tela suave para prevenir que el hierro absorba la humedad.



Rejillas de hierro

- Utilice una tela suave para untar las rejillas con grasa vegetal. No utilice mantequilla o margarina con sal.
- Precaliente la parrilla para quemar residuos de comida.
- Limpie con un cepillo de cerdas metálicas.
- Un estropajo metálico puede usarse para quitar manchas difíciles. Use guantes resistentes al calor para manejar rejillas calientes.
- Cure las rejillas de la parrilla para protegerlas y evitar corrosión. Vea "Cómo curar su parrilla".

Rejillas de acero inoxidable

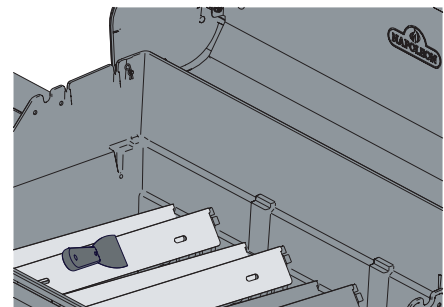
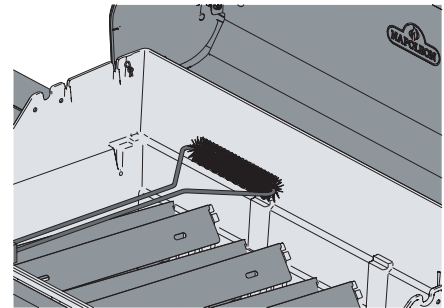
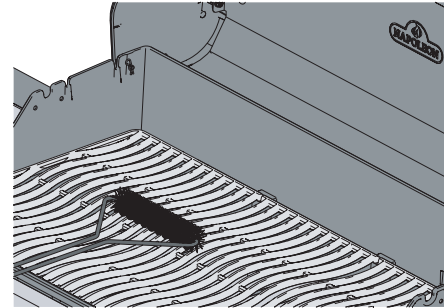
- Las rejillas de acero inoxidable se limpian al precalentar la parrilla y al usar un cepillo de cerdas metálicas para remover residuos
- Con el tiempo y uso frecuente, las rejillas de acero inoxidable presentarán una descoloración debido a las altas temperaturas a las que se exponen cada vez que cocina. Esto es normal.

Quemador lateral infrarrojo

- La mayoría de las partículas de comida que caen en el quemador infrarrojo se incineran inmediatamente debido a la alta intensidad del calor.
- Nunca limpie la cerámica con un cepillo metálico.
- No use agua u otros líquidos para limpiar el quemador. Un cambio drástico o repentino en la temperatura causará fracturas en la cerámica.
- Encienda el quemador y déjelo operar a nivel alto por 5 a 10 minutos para remover cualquier residuo.

Dentro de la parrilla

1. Retire las rejillas.
2. Cepille las paredes y el interior de la tapa con un cepillo de cerdas metálicas.
3. Talle las placas de los quemadores con una espátula. Luego utilice el cepillo de cerdas metálicas para remover las cenizas.
4. Retire las placas y sacuda el residuo de comida y la basurilla de los quemadores usando un cepillo metálico.
5. Todos los residuos o basurilla que limpie, sacude o talle deben caer en la bandeja colecta-grasa.



¡ADVERTENCIA! Siempre use guantes y lentes protectores cuando limpie su parrilla.

¡ADVERTENCIA! La grasa acumulada es peligro de incendio.

¡ADVERTENCIA! Espere a que la parrilla se enfríe antes de limpiarla para evitar la posibilidad de quemaduras o causar daños a los materiales por el choque de temperatura.



Bandeja para recolectar grasa

- El exceso de grasa y jugo que se genera cuando cocina cae en la bandeja que está debajo de los quemadores y se acumula en el contenedor desechable debajo de la bandeja.
- Nunca cubra la bandeja con papel aluminio, arena, carbón o cualquier otro material. Esto puede ocasionar que la grasa no fluya adecuadamente.
- Limpie frecuentemente la bandeja para evitar acumulamientos excesivos de grasa. Se recomienda limpiarla cada 4 o 5 usos.

Pasos para limpiar la bandeja:

1. Después de haber limpiado el interior de la parrilla, saque la bandeja deslizándola de su lugar.
2. Talle la bandeja con una espátula.
3. Deseche el contenedor con grasa y residuos acumulados y reemplacélo cada 2 a 4 semanas, dependiendo de su uso.
4. Siempre acuda a su distribuidor Napoleon por repuestos y accesorios.

Panel de control

Únicamente utilice agua enjabonada o un limpiador especial para acero inoxidable. Los iconos y leyendas en el panel de control están impresos directamente sobre el acero y pueden desaparecer gradualmente si se usan limpiadores demasiado agresivos.

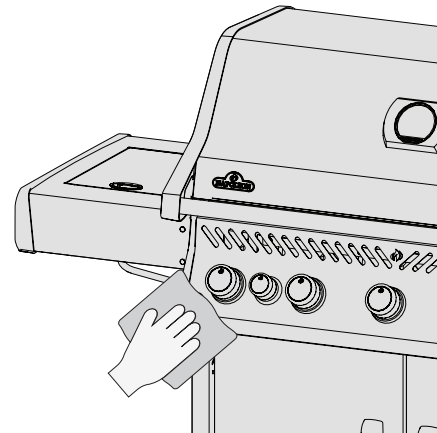
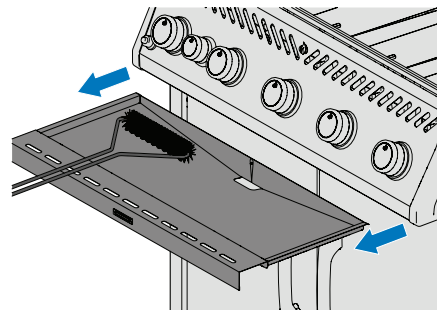
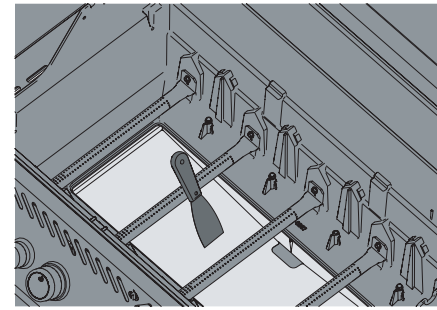
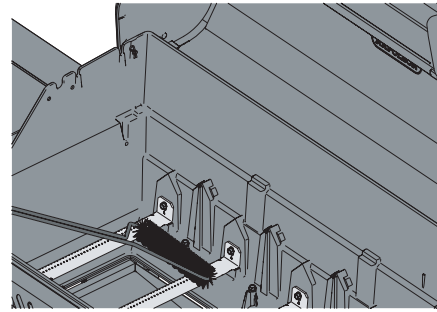
Realizar una limpieza adecuada del panel de control asegurará que el texto permanezca claro y legible por más tiempo.

Fundiciones de aluminio

Limpie con agua enjabonada. El aluminio no se corroe, sin embargo las altas temperaturas y la erosión pueden causar puntos de oxidación que parecen manchas blancas. Vea "Instrucciones de Mantenimiento" para indicaciones en cómo reparar y pintar el aluminio oxidado.

Superficie externa de la parrilla

- Use limpiadores líquidos para acero inoxidable no abrasivos.
- Siempre limpie en dirección del patrón con telas suaves.
- Maneje los componentes esmaltados en porcelana con cuidado
- El acabado de esmalte horneado es similar al vidrio y se estrellará si se golpea.
- Su distribuidor Napoleon puede retocar el esmalto en su parrilla.
- Las partes de acero inoxidable se descoloran con el tiempo debido a la exposición al calor intenso. Es normal que se tornen de color dorado o cobrizo. Esto no afectará el desempeño de la parrilla.



¡ADVERTENCIA! Apague la parrilla y espere a que se enfríe antes de comenzar a limpiarla. No use limpiadores del horno para limpiar cualquier parte de esta parrilla. No coloque las rejillas o ninguna parte de la parrilla en un horno de auto-limpieza. Limpie en un área donde la solución que utilice no pueda dañar cobertizos, pisos de madera, patios, o céspedes.

¡ADVERTENCIA! La salsa BBQ y la sal pueden ser corrosivos y causarán un rápido deterioro en los componentes de la parrilla, a menos que se limpie con frecuencia.



Telarañas e insectos en los quemadores

El olor del propano y el gas natural atrae a las arañas y otros insectos.

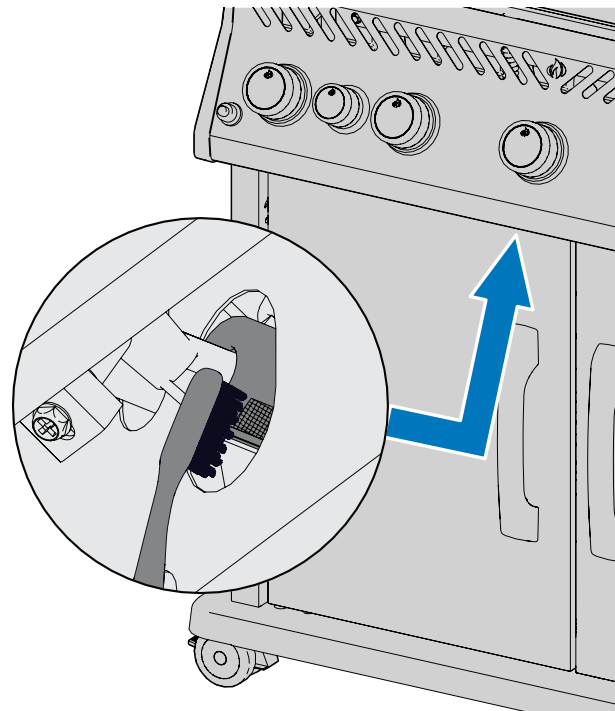
Los quemadores están equipados con una malla contra insectos en el obturador de aire. Esto reduce la probabilidad de encontrar nidos de insectos dentro de los quemadores, sin embargo no resuelve el problema.

Un nido o acumulación de telarañas pueden ocasionar que la llama se torne de color amarillo o anaranjado, y puede causar un incendio o fognazo hacia el interior del quemador o hacia el obturador de aire debajo del panel de control.

1. Retire los tornillos que aseguran el quemador a la pared trasera de la parrilla. Deslice el quemador hacia atrás y hacia arriba para removerlo.
2. Use un tubo venturi flexible para limpiar el interior del quemador.
3. Sacuda la basurilla suelta del quemador a través de la entrada del gas.
4. Revise que los puertos del quemador y los orificios de la válvula no presenten obstrucciones: los quemadores se pueden bloquear con el tiempo debido a residuos de grasa o corrosión acumulada.
5. Usando un clip metálico o sujetapapeles abierto, retire cualquier obstrucción que haya en el puerto del quemador.
6. Si el clip no funciona, use un taladro portátil pequeño y la broca incluida con su parrilla para perforar obstrucciones.
Nota: Esta broca es únicamente para los puertos de los quemadores, no para los orificios que regulan el flujo de gas.
7. No haga los puertos más grandes.
8. Asegúrese que la malla contra insectos esté siempre limpia y colocada correctamente.
9. Siga el procedimiento en reversa para instalar el quemador.
10. Asegúrese que las válvulas estén dentro del quemador al reinstalarlo.
11. Reemplace la montura para las placas y ajuste los tornillos para completar la reinstalación.

LA SEGURIDAD PRIMERO!

Siempre use guantes y lentes de protección al darle mantenimiento a su parrilla.



¡ADVERENCIA! Es de suma importancia que la válvula que regula el flujo de gas se introduzca correctamente en el cilindro del quemador al reinstalarlo en la parrilla. Una reinstalación incorrecta puede ocasionar un incendio o explosión.

¡ADVERENCIA! Evite el contacto con superficies calientes.



Instrucciones de Mantenimiento

Recomendaciones

Se debe realizar un mantenimiento completo anualmente por personal calificado.

- No obstruya el flujo de la ventilación y la combustión del aire en ningún momento.
- Las aperturas de ventilación a los laterales del carro de la parrilla y en la parte frontal y trasera del estante inferior deben mantenerse siempre libres de basura u obstrucciones.

¡ADVERTENCIA! Mantenga la parrilla lejos de materiales combustibles, gasolina, y otros vapores y líquidos inflamables.

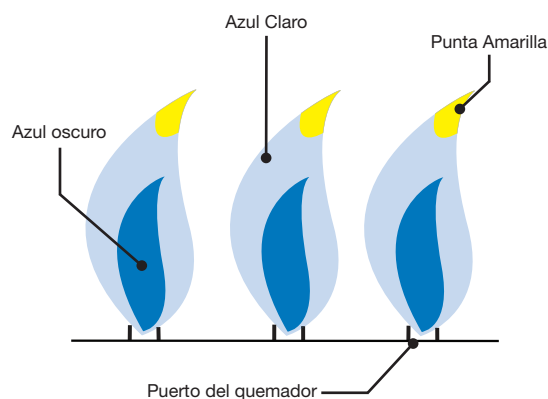


COMBUSTIÓN EN EL AJUSTE DE AIRE



¡IMPORTANTE! Este procedimiento debe ser realizado por personal calificado.

- El obturador de aire se ajusta en fábrica y no debe requerir modificaciones bajo circunstancias normales. Sin embargo, en condiciones extremas, un ajuste puede ser necesario.
- Cuando están ajustados correctamente las flamas que se generan son de color azul oscuro en la base, azul claro en el cuerpo y ocasionalmente presentan destellos amarillos en la punta.
- Cuando hay poca circulación de aire hacia el quemador se produce hollín y llamas tenues de color amarillo.
- Cuando hay demasiada circulación de aire hacia el quemador las llamas se mueven erráticamente y puede ser difícil encenderlas.



Ajustar en obturador de aire

1. Retire las rejillas y las placas para tener acceso a los quemadores.
2. Para acceder al tornillo del obturador de aire, ubicado en la boca del quemador, es necesario abrir la(s) puerta(s) del carro.
3. Retire la cubierta posterior para ajustar el obturador de aire del tubo trasero.
4. Afloje el tornillo que asegura el obturador para abrirlo o cerrarlo según se requiera.

| Tubo del quemador principal | Propano | Gas Natural |
|-----------------------------|--------------|--------------|
| RXT425 | 1/2" (13 mm) | 3/8" (10 mm) |
| RXT525 | 1/2" (13 mm) | 3/8" (10 mm) |
| RXT625 | 1/2" (13 mm) | 3/8" (10 mm) |

Note: El quemador infrarrojo no puede ser ajustado.

5. Encienda los quemadores en llama alta.
6. Inspeccione el aspecto de las flamas.
7. Si el aspecto es correcto, apague los quemadores, apriete los tornillos que aseguran el obturador y recoloque las placas y rejillas.
8. Asegúrese de no haber alterado la malla contra insectos.

QUEREMOS AYUDAR!



Póngase en contacto con nuestro servicio de Atención al Cliente para resolver cualquier duda o problema.
1-888-721-8324.

ACERO INOXIDABLE EN CONDICIONES ADVERSAS

El acero inoxidable se mancha o descolora cuando es expuesto a cloros y sulfatos, especialmente en regiones costeras, áreas de calor húmedo y en las cercanías de albercas o jacuzzis. Estas manchas tienen un aspecto parecido al óxido pero se puede remover y prevenir fácilmente.

Lave las superficies de acero y cromo cada 3 o 4 semanas.

Los quemadores

- El calor extremo y la exposición a sustancias abrasivas pueden generar corrosión en la superficie aún cuando el quemador está hecho de acero inoxidable grado 304.

Protección de los quemadores infrarrojos.

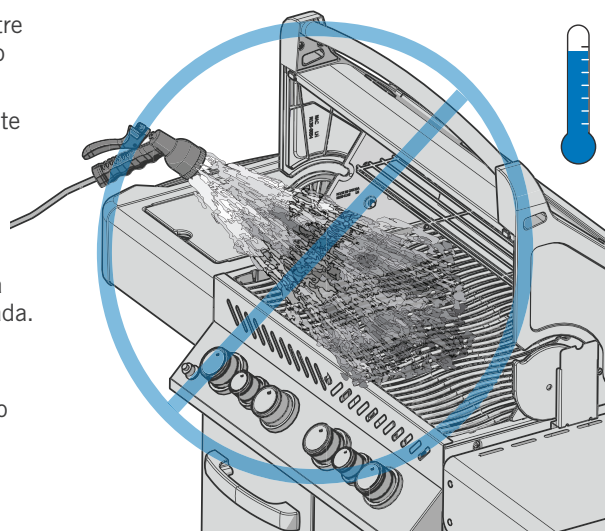
El quemador infrarrojo está diseñado para tener una larga vida, pero debe tratarse con cuidado para evitar causar fracturas en las superficies de cerámica. Las grietas ocasionan que el quemador deje de funcionar adecuadamente.



¡IMPORTANTE! El daño causado por no seguir estas instrucciones NO está cubierto por la garantía de esta parrilla.

¿Cómo evitar dañar las superficies de cerámica?

1. Nunca apague el fuego o trate de controlar una llamarada con agua.
2. No permita que el agua fría (lluvia, aspersores, mangueras, etc) entre en contacto con los quemadores de cerámica calientes. El cambio inmediato de temperatura puede causar grietas en la cerámica.
3. Encender un quemador de cerámica mojado causará que se levante vapor y producirá presión que fracturará la cerámica.
4. Remojar la cerámica repetidamente ocasionará que se expanda produciendo presión que hará que la cerámica se rompa y/o quiebre.
5. Si encuentra agua en la base de la parrilla, revise que la cerámica no se haya remojado. Retire el quemador si la cerámica está mojada. Colóquela del revés para que escurra el exceso de agua y luego séquela completamente.
6. No permita que el quemador sea impactado por objetos pesados o duros.
7. Siempre inserte o retire las rejillas con cuidado.



Deterioro del flujo de aire caliente en la parrilla.

- El aire caliente debe poder salir de la parrilla para que los quemadores funcionen correctamente.
- Los quemadores pueden verse privados de oxígeno si no se permite que escape el aire caliente, lo que hace que parpadeen. Si esto ocurre repetidamente, la cerámica se fracturará.

La manguera

- Inspeccione la manguera antes de cada uso. No la utilice si hay signos de abrasiones, derretimiento o cortes.
- Si la manguera está dañada, debe reemplazarla con piezas específicamente recomendadas por Napoleon.

LA SEGURIDAD PRIMERO!

Nunca cubra más del 75% de la superficie de la parrilla con utensilios de metal sólido.

¡ADVERTENCIA! Cierre la fuente de gas y desconéctela la unidad antes de darle mantenimiento.

¡ADVERTENCIA! El mantenimiento sólo puede ser realizado cuando la parrilla se ha enfriado para evitar la posibilidad de quemaduras.

¡ADVERTENCIA! Realice una prueba de fugas después de realizar cualquier mantenimiento.



Solución de problemas

Problemas en el encendido

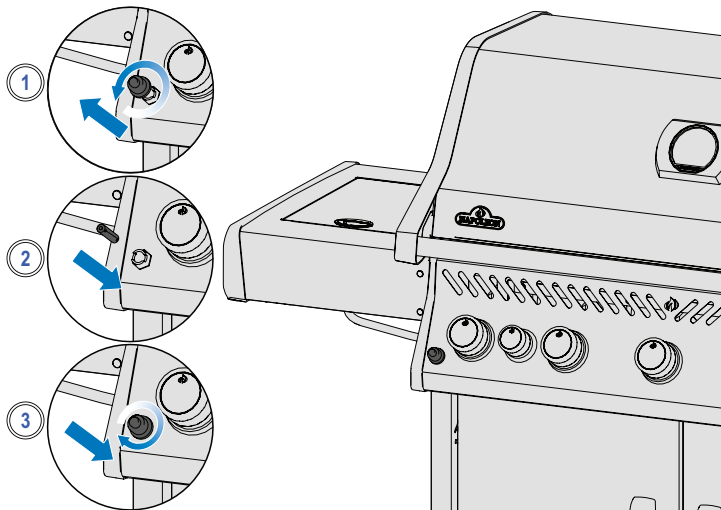
- El quemador principal, trasero, o lateral no encienden con la ignición, pero sí con un fósforo.
- No pasa la llama de un quemador a otro al encenderse.

| | Posibles causas | Solución |
|---------------------------------|---|---|
| Quemador principal | La salida de JETFIRE™ está sucio u obstruido | Limpie la salida del JETFIRE™ con un cepillo suave. |
| | El soporte de encendido cruzado está sucio o corroído. | Limpie o reemplace según sea necesario. |
| Quemadores laterales y traseros | Batería agotada o instalada incorrectamente. | Retire la batería agotada del producto y reemplácela con 1 (una) batería premium de alta resistencia. Nota: Se incluyó una batería con su parrilla. Las baterías deben insertarse con la polaridad correcta. Las pilas no recargables no deben recargarse. |
| | Cable de electrodo está suelto o en la terminal incorrecta. | Verifique que el cable del electrodo esté firmemente presionado sobre la terminal en la parte posterior de la ignición. Verifique que los cables conducen del módulo al interruptor de encendido (si está equipado) y que estén firmemente presionados en sus respectivas terminales. |
| | Las llamas se levantan del quemador. | Cierre el obturador del aire de acuerdo con las instrucciones de Mantenimiento de este manual ¡IMPORTANTE! Esto debe ser realizado por personal calificado. |

El quemador infrarrojo parpadea.

- Durante el funcionamiento, el quemador emite un fuerte silbido, seguido de un sonido continuo de tipo soplete y se queda una llama tenue.

| Posibles causas | Solución |
|---|---|
| Las placas de cerámica se sobrecargan con acumulaciones de grasa. Los puertos están obstruidos. | Apague el quemador y déjelo enfriar durante 2 minutos. Vuelva a encender el quemador en llama alta durante al menos 5 minutos, o hasta que la cerámica esté de color rojo uniforme. |
| Quemador sobrecalentado debido a una ventilación inadecuada. | Asegúrese de que no más del 75% de la superficie cerámica esté cubierta por objetos o accesorios de metal sólido. |
| Demasiada superficie de la parrilla está cubierta por una plancha o sartén. | Apague el quemador y deje que se enfríe durante 2 minutos. Vuelva a encender. Permita que el quemador se enfríe e inspeccione muy de cerca en busca de grietas. |
| Hay fugas que rodean las placas cerámicas, o hay una falla de soldadura en la carcasa del quemador. | Póngase en contacto con su distribuidor autorizado Napoleon para obtener instrucciones sobre cómo solicitar un quemador de repuesto si encuentra grietas. |



QUEREMOS AYUDAR!

Napoleón está aquí para garantizar que sus experiencias sean memorables. Contáctenos si necesita ayuda adicional.

REGISTRE SU PARRILLA!

¡Registre su parrilla! Visite Napoleon.com o su Guía de Ensamblaje para obtener instrucciones sobre piezas de repuesto.

Flujo de gas.

- La llama está baja o la parrilla no se calienta cuando se tiene en posición alta
- Las llamas son de color amarillo, y hay olor a gas.
- Las llamas se alejan del quemador, hay olor a gas y no se encienden fácilmente.
- La salida del quemador está en alto, pero la configuración es baja. Hay un ruido retumbante y llamas azules ondeantes en la superficie del quemador.

| Posibles causas | Solución |
|---|---|
| Propano: procedimiento de encendido incorrecto | Todas las válvulas de gas deben estar apagadas cuando se abre la válvula del tanque. Abra la válvula del tanque lentamente para permitir que la presión se iguale. |
| Gas natural: línea de suministro insuficiente. | La tubería debe dimensionarse de acuerdo con el código de instalación. |
| Gas propano y gas natural: precalentamiento inadecuado. | Precaliente la parrilla con los quemadores principales a temperatura alta durante 10 a 15 minutos. |
| Posible telaraña u otros desechos. | Limpie completamente posibles nidos o telarañas del orificio del quemador siguiendo las instrucciones en este manual. |
| Ajuste incorrecto del obturador de aire. | Abra o cierre el obturador de aire ligeramente de acuerdo con las instrucciones en este manual ¡IMPORTANTE! Esto debe hacerlo un instalador de gas calificado. |
| Falta de gas | Verifique el nivel de gas en el cilindro de propano. |
| La manguera de suministro está apretada. | Vuelva a colocar la manguera de suministro según sea necesario. |
| Regulador de propano está en flujo bajo. | Cierre la válvula y siga las instrucciones de encendido. Todas las válvulas de gas deben estar apagadas cuando se abre la válvula del tanque. Abra la válvula del tanque lentamente para permitir que la presión se iguale. |

Pintura, ruidos y calor.

- El regulador hace un zumbido
- Hay llamaradas excesivas y el calor es desigual

| Posibles causas | Solución |
|--|---|
| El zumbido es normal en días calurosos. | Esto no es un defecto. Es causado por vibraciones internas en el regulador y no afecta el rendimiento o la seguridad de la parrilla de gas. Los reguladores que zumban NO SERÁN reemplazados. |
| La válvula del cilindro se abrió demasiado rápido. | Open cylinder valve slowly |
| Placas del quemador están instaladas incorrectamente. | Asegúrese de que las placas del quemador estén instaladas con los agujeros hacia el frente y las ranuras en la parte inferior. Consulte la Guía de Ensamblaje. |
| Calentamiento inadecuado | Precaliente la parrilla con ambos quemadores principales encendidos a fuego alto durante 10 a 15 minutos. |
| El exceso de grasa y cenizas se acumulan en las placas y en la bandeja de goteo. | Limpie las placas y la bandeja para la grasa regularmente. No cubra la bandeja con papel aluminio. Consulte las instrucciones de limpieza. |

- Parece que la pintura se está despegando por dentro de la tapa

| Posibles causas | Solución |
|---|---|
| Acumulación de grasa en las superficies interiores. | Esto no es un defecto. El acabado de la tapa es de porcelana y no se cae. Lo que se desprende es la grasa endurecida que se seca en fragmentos sobre la pintura. La limpieza regular evitará esto. Vea las instrucciones de limpieza. |

NAPOLEON 15 AÑOS DE GARANTÍA

Para Modelos ROGUE® R, XT & RSE

Los productos Napoleon están diseñados con piezas y materiales de primera calidad y son ensamblados por expertos artesanos que se toman muy en serio su trabajo. Este producto ha sido rigurosamente inspeccionado por un técnico calificado antes de ser empaquetado y enviado a fin de asegurarle que usted, como cliente, reciba el producto de calidad que espera de NAPOLEON.

Gracias por adquirir un producto de Napoleon. Napoleon (Wolf Steel Ltd, Barrie, ON, Canadá) garantiza que los componentes en su nuevo producto de Napoleon estará libre de defectos de material y construcción desde momento de su compra hasta un periodo de 15 años.



Garantía

| | |
|---|---------|
| Capucha..... | 15 Años |
| Tapa de acero inoxidable | 15 Años |
| Tapa esmaltada en porcelana | 15 Años |
| Fundiciones de aluminio | 15 Años |
| Rejillas para cocinar de acero inoxidable..... | 15 Años |
| Tubos de los quemadores en acero inoxidable..... | 15 Años |
| Placas de sellado en acero inoxidable..... | 15 Años |
| Rejillas fundidas en acero esmaltadas en porcelana..... | 15 Años |
| Quegador trasero infrarrojo de acero inoxidable..... | 15 Años |
| Quegador lateral infrarrojo | 15 Años |
| Todas las demás piezas | 15 Años |

CONDICIONES Y LIMITACIONES:

Esta Garantía voluntaria crea un periodo de garantía de 15 años para productos adquiridos por medio de un distribuidor autorizado de Napoleon, y le da derecho al comprador original (o al beneficiario del obsequio en caso de que un nuevo producto haya sido otorgado como regalo), en el marco de la cobertura indicada relativa a cualquier pieza reemplazada en el periodo de garantía, ya sea por NAPOLEON o un distribuidor autorizado del mismo, a reemplazar una pieza de dicho producto que ha presentado fallas en el uso privado normal como resultado de un defecto de fabricación. Garantía no contempla accesorios ni elementos extras.

Para mayor certeza, el “uso privado normal” de un producto se refiere a que el producto: ha sido (cuando sea aplicable) instalado por un técnico o contratista autorizado, portador de una licencia, de conformidad con las instrucciones de instalación incluidas con el producto y según todas las normas locales y nacionales de construcción y contra incendios; ha recibo la limpieza y el mantenimiento adecuado de acuerdo a las instrucciones que lo acompañan; y no ha sido usado para fines de servicio comunitario ni comerciales. En caso de usarse para fines de servicio comunitario o comerciales (cuando sea aprobado), la Garantía se reduce a un periodo de dos (2) años.

De igual manera, “falla” no incluye: daños causados por sobrecalentamiento ni por condiciones ambientales como vientos fuertes o ventilación inadecuada, rasguños, abolladuras, corrosión, deterioro de acabados pintados o recubiertos, decoloración causada por el calor, elementos de limpieza abrasivos o químicos o exposición ultravioleta, desportillado de piezas porcelanizadas o daños causados por mal uso, accidente, granizo, incendios provocados por grasas, falta de mantenimiento, ambientes hostiles como la presencia de sal o cloro, alteraciones, abuso, negligencia o piezas instaladas de otros fabricantes. Si usted vive en área costera, o mantiene su producto cerca de una piscina o jacuzzi, el mantenimiento debe incluir lavado y enjuagado frecuente de las superficies exteriores como lo indica el manual del usuario que acompaña al producto, para prevenir corrosión de las superficies. Si ocurrieran deterioros de piezas que impidieran que el equipo funcione (completamente oxidadas o quemadas) dentro del plazo de la cobertura de la garantía, se le proporcionará un reemplazo. Las partes reemplazadas bajo esta garantía están garantizadas sólo por el balance restante del periodo original de quince (15) años mencionado anteriormente.

La pieza de reemplazo es la única responsabilidad de Napoleon, según lo especificado en esta Garantía, y en ningún caso NAPOLEON será responsable de la instalación, mano de obra, ni cualquier otro costo o gasto relacionado con la reinstalación de una pieza comprendida en la garantía; ni de daños adicionales, resultantes o indirectos ni de los cargos de transporte, costos de obra ni impuestos de exportación.

El uso y/o instalación de partes en su producto de Napoleon que no son genuinas a Napoleon invalidarán esta Garantía, y cualquier daño que resulte de esto no será cubierto por esta garantía. Toda conversión de gas del producto que no haya sido autorizada por Napoleon ni realizada por un técnico autorizado por Napoleon invalidarán esta garantía.





NAPOLEON - CELEBRATING OVER 40 YEARS OF HOME COMFORT PRODUCTS



Napoleon products are protected by one or more U.S. and Canadian and/or foreign patents or patents pending.

Les produits de Napoléon sont protégés par un ou plusieurs brevets américains, canadiens et (ou) étrangers ou par des brevets en instance.

24 Napoleon Road, Barrie, Ontario, L4M 0G8
103 Miller Drive, Crittenden, Kentucky, USA 41030
7200 Trans Canada Highway, Montreal, Quebec H4T 1A3

PHONE: 866-820-8686
napoleon.com
grills@napoleonproducts.com

Last Revision | F | September 17, 2020



Napoleon.com | Rogue Series Grills