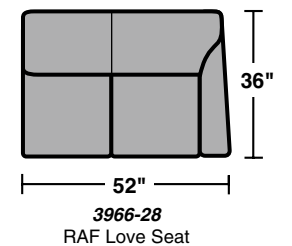
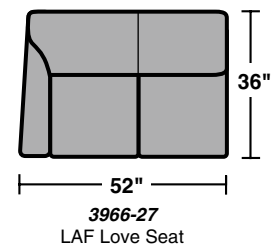
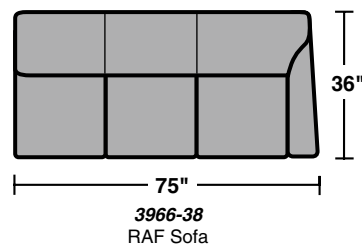
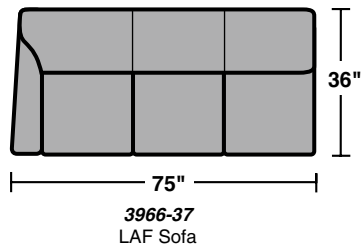
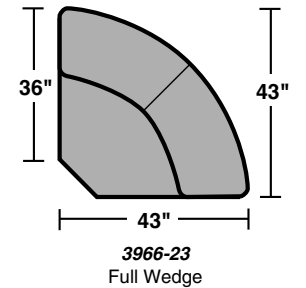
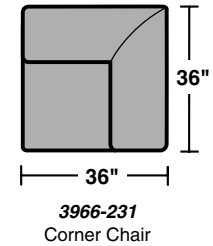
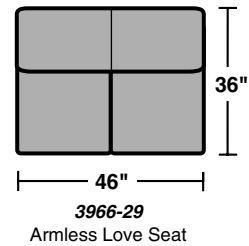
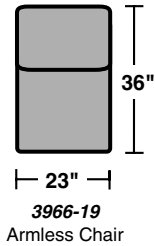
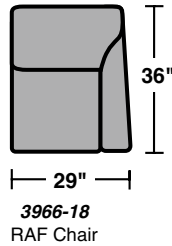
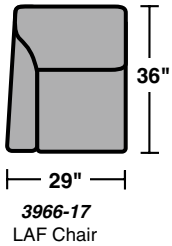
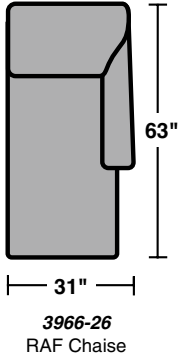
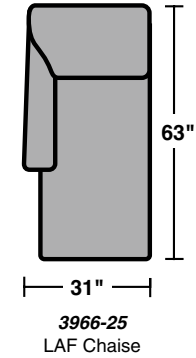
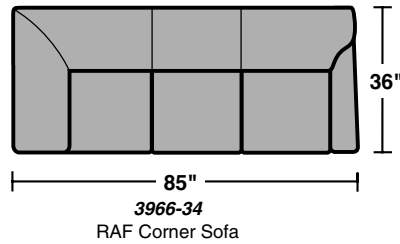
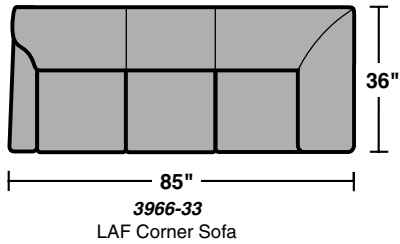


3966 Sectional Components & Configurations – *Leather* Digby

Components

LAF = Left Arm Facing
RAF = Right Arm Facing

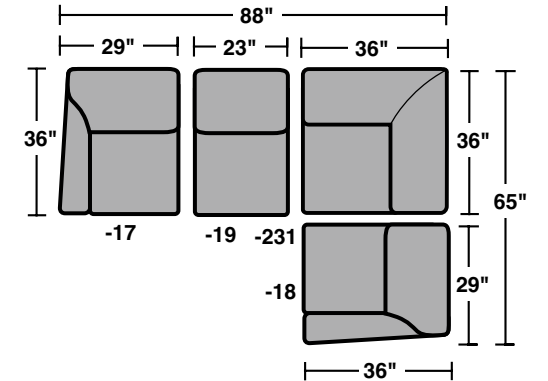
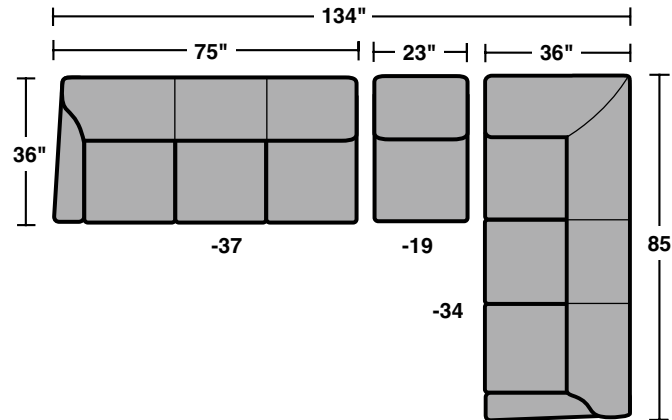
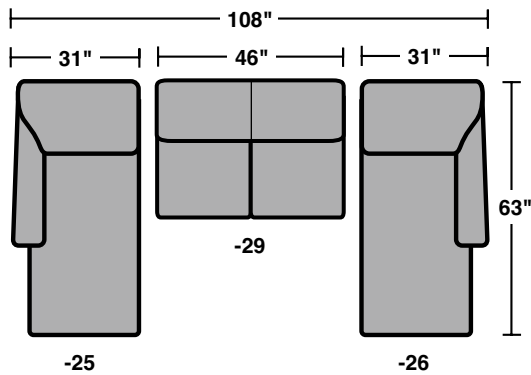
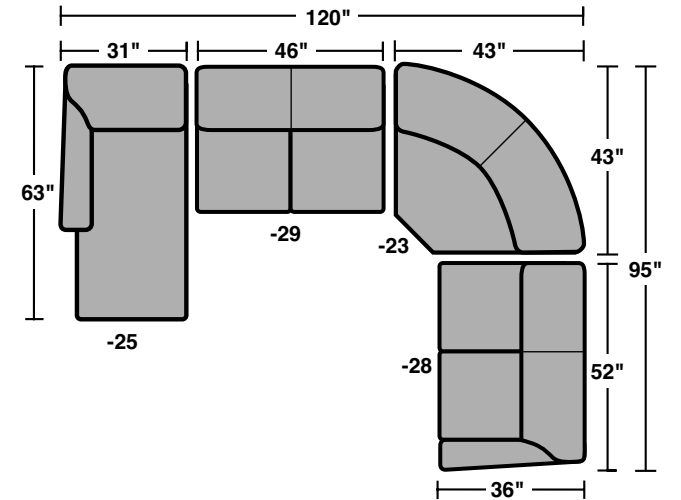
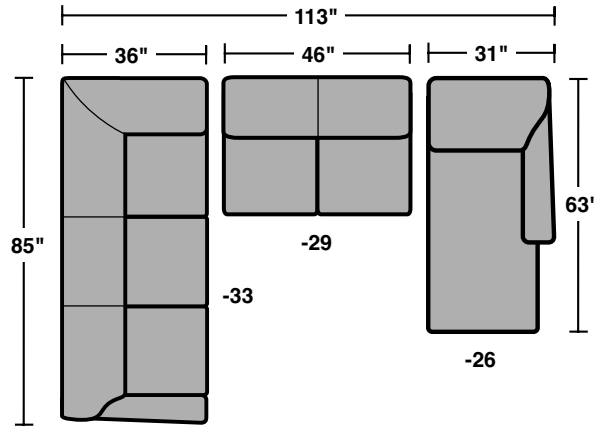
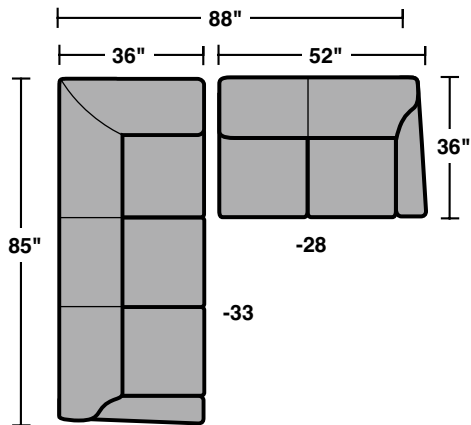


Scale 1/4" = 1'

Rev. 10/14 • Dimensions are subject to variance.

3966 Sectional Components & Configurations – *Leather* Digby

Sample Configurations



Scale 1/4" = 1'

Rev. 10/14 • Dimensions are subject to variance.