

EC24/S

FEATURES

Make all your favorite coffee drinks

Uses whole-bean and pre-ground coffee

Coffee made to size, from 1 oz. to 12 oz.

Built-in burr grinder with 13 grind settings

No plumbing needed

Rigorously tested in our U.S. manufacturing facilities for decades of use

Exceptional 24/7 support from our Customer Care team in Madison

Auto-descale reminders

Five strength settings

Hot water on demand

Press Double Coffee button for two identical cups

Removable milk carafe for freshness

ACCESSORIES

Descaling Solution

Care Kit

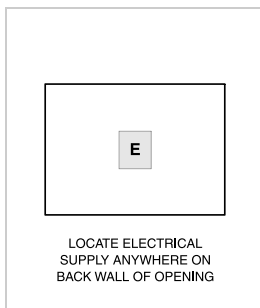
Accessories available through an authorized Sub-Zero dealer.
For local dealer information, visit subzero-wolf.com/locator.



PRODUCT SPECIFICATIONS

Model	EC24/S
Dimensions	23 1/2"W x 17 7/8"H x 15 1/2"D
Weight	80 lbs
Electrical Supply	120 VAC, 60 Hz
Electrical Service	15 amp dedicated circuit
Power Cord Length	6 Feet
Receptacle	3-prong grounding-type

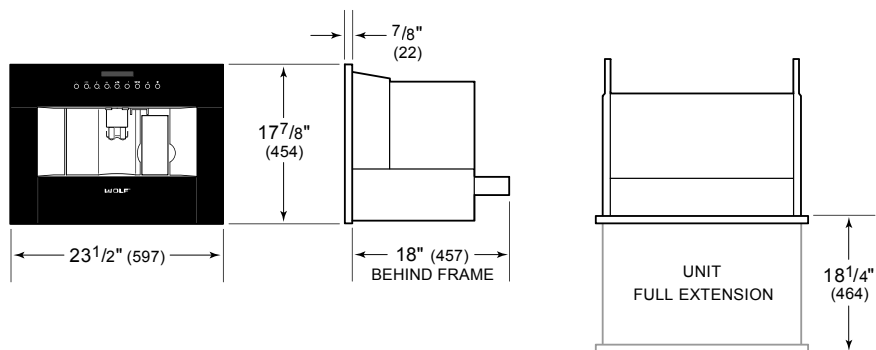
ELECTRICAL



NOTE:

Dimensions in parenthesis are in millimeters unless otherwise specified

DIMENSIONS



STANDARD INSTALLATION

