

EST. **B** 1991

BRAMBLE

PRODUCT TEARSHEET



# Carrington Single Vanity w/ Sink & Marble top

---

Shown in: **SNW**

SKU: **27448**

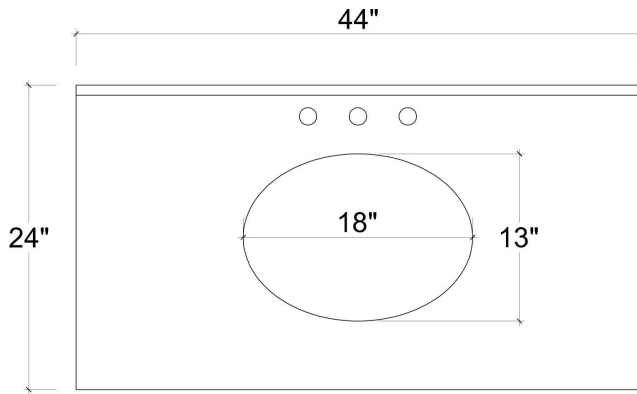
Size: **44W x 24D x 37H in**



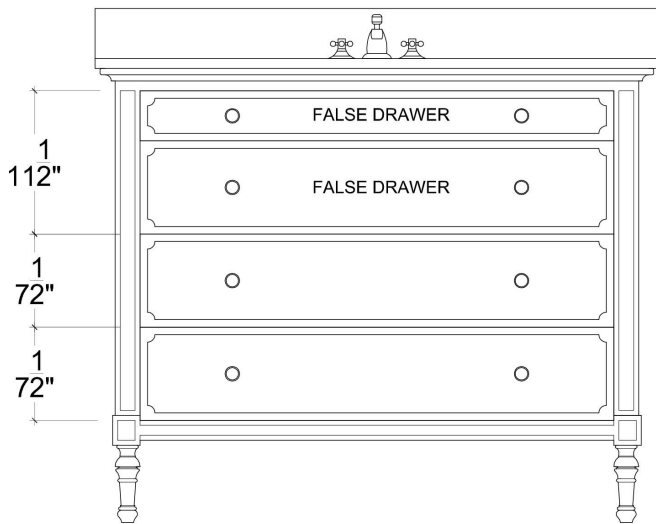
# Overview

---

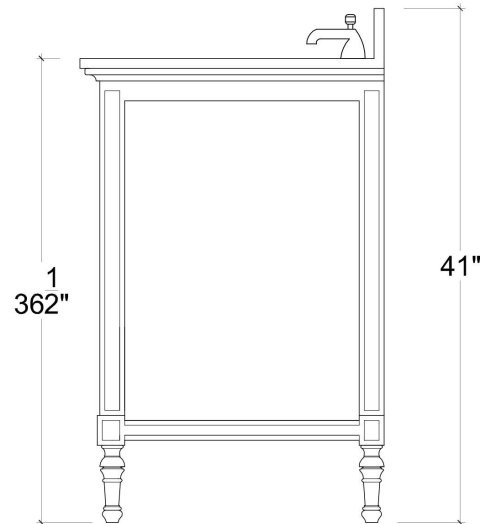
## Carrington Single Vanity



TOP VIEW



FRONT VIEW



SIDE VIEW

## Visual Highlights

---



## Technical Specification

---

Dimensions	<b>44W x 24D x 37H in</b>	CBM	<b>1.080715625</b>
------------	---------------------------	-----	--------------------

---

Number of Packages	<b>1</b>	Cubic Feet	<b>38.17 ft<sup>3</sup></b>
--------------------	----------	------------	-----------------------------

---

Package 1 Dimensions	<b>48.4 x 28 x 41.7 in</b>	Package 1 Weight	<b>178.57 lbs</b>
----------------------	----------------------------	------------------	-------------------

---

Package Weight Total	<b>178.57 lbs</b>	Net Weight	<b>158.73 lbs</b>
----------------------	-------------------	------------	-------------------

---

Material	<b>Mahogany, Marble</b>
----------	-------------------------

---

<https://www.brambleco.com/27448>

---