



Convection Built-In Electric WALL OVEN

SAFETY INFORMATION3

USING THE OVEN

Single Wall Oven Controls6

Double Wall Oven Controls7

Options8

Settings9

Oven Racks 11

Aluminum Foil and Oven Liners..... 13

Cookware..... 13

Cooking Modes..... 14

Probe 15

Cooking Guide - Lower Oven..... 16

Cooking Guide - Upper/Single Oven 17

CARE AND CLEANING

Oven..... 18

Probe 19

Oven Light..... 19

Oven Door.....20

TROUBLESHOOTING TIPS..... 21

LIMITED WARRANTY26

ACCESSORIES27

CONSUMER SUPPORT28

OWNER'S MANUAL

- JKS5000 - 27" Single Wall Oven
- JTS5000 - 30" Single Wall Oven
- JKD5000 - 27" Double Wall Oven
- JTD5000 - 30" Double Wall Oven

Write the model and serial numbers here:

Model # _____

Serial # _____

You can find them on a label on the side trim or on the front of the (lower) oven behind the oven door.

ESPAÑOL

Para consultar una version en español de este manual de instrucciones, visite nuestro sitio de internet GEAppliances.com.

THANK YOU FOR MAKING GE APPLIANCES A PART OF YOUR HOME.

Whether you grew up with GE Appliances, or this is your first, we're happy to have you in the family.

We take pride in the craftsmanship, innovation and design that goes into every GE Appliances product, and we think you will too. Among other things, registration of your appliance ensures that we can deliver important product information and warranty details when you need them.

Register your GE appliance now online. Helpful websites and phone numbers are available in the Consumer Support section of this Owner's Manual. You may also mail in the pre-printed registration card included in the packing material.



IMPORTANT SAFETY INFORMATION

READ ALL INSTRUCTIONS BEFORE USING THE APPLIANCE

▲WARNING Read all safety instructions before using the product. Failure to follow these instructions may result in fire, electrical shock, serious injury or death.

▲WARNING GENERAL SAFETY INSTRUCTIONS

- Use this appliance only for its intended purpose as described in this Owner's Manual.
- Be sure your appliance is properly installed and grounded by a qualified installer in accordance with the provided installation instructions.
- Do not attempt to repair or replace any part of your oven unless it is specifically recommended in this manual. All other servicing should be performed by a qualified technician.
- Before performing any service, disconnect the power supply at the household distribution panel by removing the fuse or switching off the circuit breaker.
- Do not leave children alone—children should not be left alone or unattended in an area where an appliance is in use. They should never be allowed to climb, sit or stand on any part of the appliance.
- **▲CAUTION** Do not store items of interest to children in cabinets above an oven - children climbing on the oven to reach items could be seriously injured.
- Use only dry pot holders—moist or damp pot holders on hot surfaces may result in burns from steam. Do not let pot holders touch hot heating elements. Do not use a towel or other bulky cloth in place of pot holders.
- Never use your appliance for warming or heating the room.
- Do not touch the heating elements or the interior surface of the oven. These surfaces may be hot enough to burn even though they are dark in color. During and after use, do not touch, or let clothing or other flammable materials contact any interior area of the oven; allow sufficient time for cooling first. Other surfaces of the appliance may become hot enough to cause burns. Potentially hot surfaces include the oven vent opening, surfaces near the opening and crevices around the oven door.
- Do not heat unopened food containers. Pressure could build up and the container could burst, causing an injury.
- Do not use any type of foil or liner to cover the oven bottom or anywhere in the oven, except as described in this manual. Oven liners can trap heat or melt, resulting in damage to the product and risk of shock, smoke or fire.
- Avoid scratching or impacting glass doors or control panels. Doing so may lead to glass breakage. Do not cook on a product with broken glass. Shock, fire or cuts may occur.
- Cook meat and poultry thoroughly—meat to at least an internal temperature of 160°F and poultry to at least an internal temperature of 180°F. Cooking to these temperatures usually protects against foodborne illness.

▲WARNING KEEP FLAMMABLE MATERIALS AWAY FROM THE OVEN

Failure to do so may result in fire or personal injury.

- Do not store or use flammable materials in or near an oven, including paper, plastic, pot holders, linens, wall coverings, curtains, drapes and gasoline or other flammable vapors and liquids.
- Never wear loose-fitting or hanging garments while using the appliance. These garments may ignite if they contact hot surfaces, causing severe burns.
- Do not let cooking grease or other flammable materials accumulate in or near the oven. Grease in the oven or near the oven may ignite.
- **Remote Operation** - This appliance is configurable to allow remote operation at any time. Do not store any flammable materials or temperature sensitive items inside of the appliance.

READ AND SAVE THESE INSTRUCTIONS

IMPORTANT SAFETY INFORMATION

READ ALL INSTRUCTIONS BEFORE USING THE APPLIANCE

▲WARNING IN THE EVENT OF A FIRE, TAKE THE FOLLOWING STEPS TO PREVENT INJURY AND FIRE SPREADING

- Do not use water on grease fires. Never pick up a flaming pan.
- If there is a fire in the oven during baking, smother the fire by closing the oven door and turning the oven off or by using a multi-purpose dry chemical or foam-type fire extinguisher.
- If there is a fire in the oven during self-clean, turn the oven off and wait for the fire to go out. Do not force the door open. Introduction of fresh air at self-clean temperatures may lead to a burst of flame from the oven. Failure to follow this instruction may result in severe burns.

▲WARNING OVEN SAFETY INSTRUCTIONS

- Stand away from the oven when opening the oven door. Hot air or steam which escapes can cause burns to hands, face and/or eyes.
- Keep the oven vent unobstructed.
- Keep the oven free from grease buildup. Grease in the oven may ignite.
- Place oven racks in desired location while oven is cool. If rack must be moved while oven is hot, do not let pot holder contact hot heating element in oven.
- When using cooking or roasting bags in the oven, follow the manufacturer's directions.
- Pulling out the standard racks to their stop-locks or the extension rack to its fully open position is a convenience in lifting heavy foods. It is also a precaution against burns from touching hot surfaces of the door or oven walls.
- Do not leave items such as paper, cooking utensils or food in the oven when not in use. Items stored in an oven can ignite.
- Never place cooking utensils, pizza or baking stones, or any type of foil or liner on the oven floor. These items can trap heat or melt, resulting in damage to the product and risk of shock, smoke or fire.

▲WARNING SELF-CLEANING OVEN SAFETY INSTRUCTIONS

The self-cleaning feature operates the oven at temperatures high enough to burn away food soils in the oven. Follow these instructions for safe operation.

- Do not touch oven surfaces during self-clean operation. Keep children away from the oven during self-cleaning. Failure to follow these instructions may cause burns.
- Before self-cleaning the oven, remove shiny silver colored oven racks (on some models), the probe, any aluminum foil, and any broiler pan, grid, and other cookware. Only porcelain coated oven racks may be left in the oven.
- Before operating the self-clean cycle, wipe grease and food soils from the oven. Excessive amount of grease may ignite, leading to smoke damage to your home.

READ AND SAVE THESE INSTRUCTIONS

IMPORTANT SAFETY INFORMATION

READ ALL INSTRUCTIONS BEFORE USING THE APPLIANCE

▲WARNING SELF-CLEANING OVEN SAFETY INSTRUCTIONS (Cont.)

- If the self-cleaning mode malfunctions, turn the oven off and disconnect the power supply. Have it serviced by a qualified technician.
- Do not clean the door gasket. The door gasket is essential for a good seal. Care should be taken not to rub, damage or move the gasket.
- Do not use oven cleaners. No commercial oven cleaner or oven liner protective coating of any kind should be used in or around any part of the oven.

The remote enable equipment installed on this oven has been tested and found to comply with the limits for a Class B digital device, pursuant to part 15 of the FCC Rules. These limits are designed to:

(a) provide reasonable protection against harmful interference in a residential installation. This equipment generates, uses and can radiate radio frequency energy and, if not installed and used in accordance with the instructions, may cause harmful interference to radio communications. However, there is no guarantee that interference will not occur in a particular installation. If this equipment does cause harmful interference to radio or television reception, which can be determined by turning the equipment off and on, the user is encouraged to try to correct the interference by one or more of the following measures:

- Reorient or relocate the receiving antenna.
- Increase the separation between the equipment and receiver.
- Connect the equipment into an outlet on a circuit different from that to which the receiver is connected.
- Consult the dealer or an experienced radio/TV technician for help.

(b) accept any interference received, including interference that may cause undesired operation of the device.

Note that any changes or modifications to the wireless communication device installed on this oven that are not expressly approved by the manufacturer could void the user's authority to operate the equipment.

How to Remove Protective Shipping Film and Packaging Tape

Carefully grasp a corner of the protective shipping film with your fingers and slowly peel it from the appliance surface. Do not use any sharp items to remove the film. Remove all of the film before using the appliance for the first time.

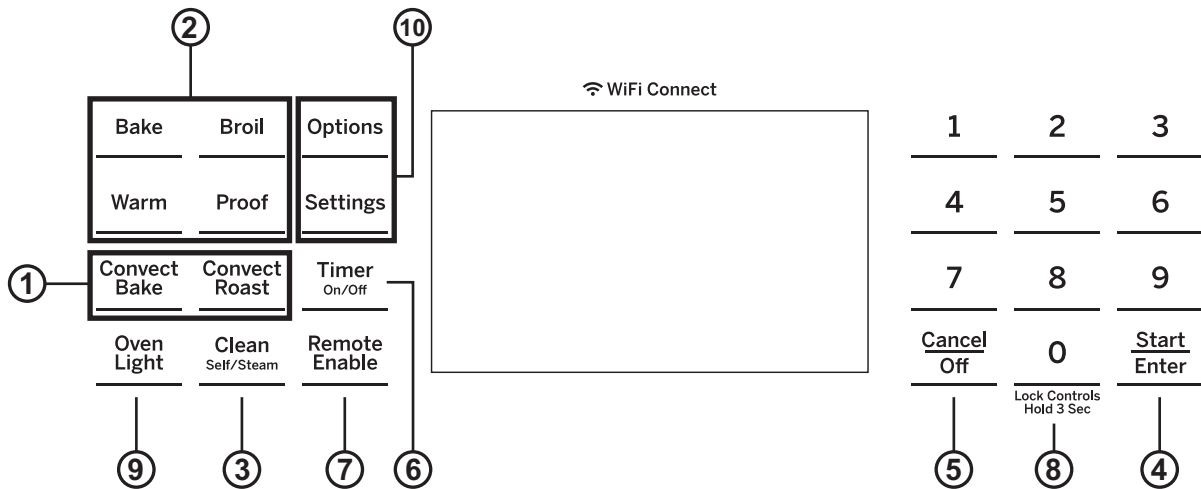
To assure no damage is done to the finish of the product, the safest way to remove the adhesive from packaging tape on new appliances is an application of a household liquid dishwashing detergent. Apply with a soft cloth and allow to soak.

NOTE: The adhesive must be removed from all parts. It cannot be removed if it is baked on.

READ AND SAVE THESE INSTRUCTIONS

Single Wall Oven Controls

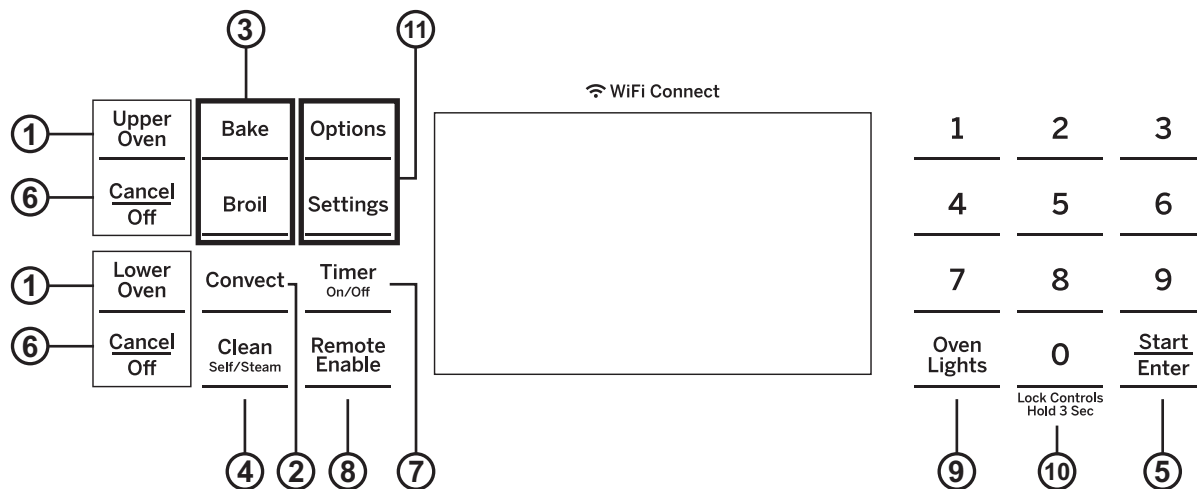
Control button shapes are representative; your oven may have alternate button shapes. Control buttons are designed to become visible when the oven door is opened or if the controls are pressed in the area of a button.



1. **Convection Cooking Modes:** Convection cooking modes use increased air circulation to improve performance. The type of benefit depends on the mode. Your oven has the following convection cooking modes: Convection Bake and Convection Roast. See the Cooking Modes section for more information.
2. **Traditional Cooking Modes:** Your oven has the following traditional cooking modes: Bake, Broil, Proof and Warm. See the Cooking Modes section for more information.
3. **Clean:** Your oven has two cleaning modes: Self Clean and Steam Clean. See the Cleaning the Oven section for important information about using these modes.
4. **Start/Enter:** Must be pressed to start any cooking, cleaning, or timed function. **NOTE:** If your display and keys dim, opening the oven door or pressing any key will wake and illuminate the control.
5. **Cancel/Off:** Cancels ALL oven operations except the clock and timer.
6. **Timer:** Works as a countdown timer. Press the **Timer** pad and use the number pads to program the time in hours and minutes. Press the **Start/Enter** pad. The oven will continue to operate when the timer countdown is complete. To turn the timer off, press the **Timer** pad.
7. **Remote Enable:** Allows you to control your oven remotely. The oven must be connected to WiFi before Remote Enable can be activated. For instructions on how to connect your oven, see the WiFi Connect/Remote Enable section under Settings in this manual.
8. **Lock Controls:** Locks out the control so that pressing the pads does not activate the controls. Press and hold the **0** pad, for three seconds to lock or unlock the control. **Cancel/Off** is always active, even when the control is locked.
9. **Oven Light:** Turns the oven light on or off.
10. **Options and Settings:** The Options and Settings pads open up more detailed menus in the display that allow access to additional functions and cooking modes. For each, you select the function in the display using the associated number pad. You can exit at any time by pressing the **Options** or **Settings** pad again. See the Settings, Options, and Cooking Modes Sections for more details.

Double Wall Oven Controls

Control button shapes are representative; your oven may have alternate button shapes. Control buttons are designed to become visible when the oven door is opened or if the controls are pressed in the area of a button.



1. Upper Oven and Lower Oven:

Designates which oven the controls will operate. Select an oven before following the steps for starting a cooking or cleaning mode.

2. Convection Cooking Modes

(upper oven only): Convection cooking modes use increased air circulation to improve performance. See the Cooking Modes section for more information.

3. Traditional Cooking Modes: Your oven has the following traditional cooking modes: Bake, Broil, and Warm. See the Cooking Modes section for more information.

4. Clean: Your oven has two cleaning modes: Self Clean and Steam Clean. See the Cleaning the Oven section for important information about using these modes.

5. Start/Enter: Must be pressed to start any cooking, cleaning, or timed function. **NOTE:** If your display and keys dim, opening the oven door or pressing any key will wake and illuminate the control.

6. Cancel/Off: Cancels ALL oven operations except the clock and timer.

7. Timer: Works as a countdown timer. Press the **Timer** pad and use the number pads to program the time in hours and minutes. Press the **Start/Enter** pad. The oven will continue to operate when the timer countdown is complete. To turn the timer off, press the **Timer** pad.

8. Remote Enable: Allows you to control your oven remotely. The oven must be connected to WiFi before Remote Enable can be activated. For instructions on how to connect your oven, see the WiFi Connect/Remote Enable section under Settings in this manual.

9. Oven Light(s): Turns the oven light on or off.

10. Lock Controls: Locks out the control so that pressing the pads does not activate the controls. Press and hold the **0** pad, for three seconds to lock or unlock the control. **Cancel/Off** is always active, even when the control is locked.

11. Options and Settings: The Options and Settings pads open up more detailed menus in the display that allow access to additional functions and cooking modes. For each, you select the function in the display using the associated number pad. You can exit at any time by pressing the **Options** or **Settings** pad again. See the Settings, Options, and Cooking Modes Sections for more details.

Options

The options pad opens up a menu of more cooking modes when the oven is off. It opens a menu with additional features if a cooking mode is already in process. You can exit the menu at any time by pressing the **Options** pad again.

You must first select a mode (bake, convection bake, convection roast) and then select Options to get to the following functions.

Cook Time

Counts down cooking time and turns off the oven when the cooking time is complete. Initiate either a bake or warm mode, but don't press **Start**. Press the **Options** pad, follow the screen prompts and use the number pads to program a cooking time in hours and minutes, then press **Start**.

Delay Time

Delays when the oven will turn on. Use this to set a time when you want the oven to start. Select a desired cooking mode. Use the number pad to program a baking temperature. Press the **Options** pad and select **Delay Time**. Use the number pads to program the time of day for the oven to turn on, and then press **Start/Enter**. With cooking modes, a cook time may also be programmed if desired. Follow the directions under Cook Time for setting this feature. Delay Time is not available with all modes.

NOTE: When using the Delay Time feature, foods that spoil easily – such as milk, eggs, fish, stuffing, poultry, and port – should not be allowed to sit for more than 1 hour before or after cooking. Room temperature promotes the growth of harmful bacteria. Be sure that the oven light is off because heat from the bulb will speed harmful bacteria growth.

Oven Probe (upper only on double oven models)

NOTE: Only accessible through traditional and convection cooking modes.

Monitors internal food temperature and turns the oven off when the food reaches the programmed temperature. Insert the probe, press the desired cooking mode, and program the probe temperature. See the Cooking Modes Section for more information. The probe can only be used with Bake, Convection Bake, and Convection Roast.

Settings

The Options and Settings pads open up more detailed menus in the display that allow access to additional functions. For each you select the function in the display using the associated number pad. You can exit at any time by pressing the **Options** or **Settings** pad again.

WiFi Connect and Remote Enable

Your oven is designed to provide you with two-way communication between your appliance and smart device. By using the WiFi Connect features, you will be able to control essential oven operations such as temperature settings, timers and cooking modes using your smartphone or tablet.*

Select **Settings** then **Wifi** then follow the instructions on your phone app. It is necessary to turn on WiFi before using Remote Enable on your oven.

Connecting your WiFi Connect Enabled Oven

What you will need

Your GE Appliances oven uses your existing home WiFi network to communicate between the appliance and your smart device. In order to setup your GE Appliances oven, you will need to gather some information:

1. You will need to know the Appliance Network Name and Password to connect to the appliance. Select **Settings** then **Wifi** to display the SSID and PASSWORD on your control.
2. Have your smart phone or tablet ready with the ability to access the internet and download apps.
3. You will need to know the password of your home WiFi router. Have this password ready while you are setting up your GE Appliances oven.

Connect your GE Appliances oven


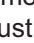
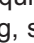

1. On your smart phone or tablet visit **GEAppliances.com/connect** to learn more about connected appliance features and to download the appropriate app.
2. Follow the app onscreen instructions to connect your GE Appliances oven.
3. Once the process is complete, the connection light located on your GE Appliances oven display will stay on solid and the app will confirm you are connected.
4. If the connection light does not turn on or is blinking, follow the instructions on the app to reconnect. If issues continue, please call the Connected Call Center 1.866.626.2000 and ask for assistance regarding oven wireless connectivity.

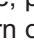
To connect additional smart devices, disconnect from WiFi and the first device, then reconnect to WiFi and repeat steps 1 and 2. The unit can only be connected to one device at a time.

Note that any changes or modifications to the remote enable device installed on this oven that are not expressly approved by the manufacturer could void the user's authority to operate the equipment.

* Compatible Apple or Android devices and home WiFi network required.

REMOTE STARTING YOUR OVEN

To be able to start the oven remotely once connected to WiFi, press the **Remote Enable** pad and the  icon will turn on in the display. The oven can now be remotely started with a connected device. The  icon must be lit to start the oven remotely. The  icon is not required to change the oven temperature while it is running, set a timer or to turn the oven off from the phone app while the  icon shows it is Wifi Connected.

To disconnect your phone from Remote Enable, press the **Remote Enable** pad and the  icon will turn off.

NOTE: Foods that spoil easily—such as milk, eggs, fish, stuffings, poultry and pork—should not be allowed to sit for more than 1 hour before or after cooking. Room temperature promotes the growth of harmful bacteria. Be sure that the oven light is off because heat from the bulb will speed harmful bacteria growth.

Settings (Cont.)

Clock

This setting sets the oven clock time. Press the **Settings** pad and select **Clock**. Select **Set Clock** and follow the instructions to set the clock. This feature also specifies how the time of day will be displayed. You can select a standard 12-hour clock (12H), 24-hour military time display (24H), or no clock displayed (Off). Press the **Settings** pad, select **Set Clock** and select either **12/24 hr** or **On/Off**.

Auto Conv (Auto Conversion)

When using Convection Bake cooking, Auto Recipe Conversion will automatically convert the regular baking temperatures entered to convection bake cooking temperatures when turned on. Note that this option does not convert convection bake cooking times, it only converts temperatures. This feature may be turned on or off. Select **Settings** and **Auto Conversion** then follow the prompts to turn this feature on or off.

Auto Off

This feature shuts the oven down after 12 hours of continuous operation. It may be enabled or disabled. Select **Settings** and **Auto Off** to turn this feature on or off.

Sound

You can adjust the volume and type of alert your appliance uses. Select **Settings** and **Sound**. Follow prompts for making volume adjustments or for changing between continuous and single alert tones. A continuous setting will continue to sound a tone until a button on the control is pressed. The oven tone volume can be adjusted. The control will sound the oven tone at the new volume level each time the sound level is changed.

F/C (Fahrenheit or Celsius)

The oven control is set to use Fahrenheit temperatures (F), but you can change it to use Celsius temperatures (C). Select **Settings** and **F/C** to alter between temperature scales displayed.

Adjust the Oven temperature

This feature allows the oven baking and convection baking temperature to be adjusted up to 35°F hotter or down to 35°F cooler. Use this feature if you believe your oven temperature is too hot or too cold and wish to change it. This adjustment affects Bake and Convection Bake modes. No other cooking modes are affected. Select **Settings** and **Oven Adjust** to add **More Heat** or **Less Heat** and then press **Save** (for double ovens use the Upper Oven or Lower Oven menu selection corresponding to the oven to be adjusted). Do not use thermometers, such as those found in grocery stores, to check the temperature setting of your oven. These thermometers may vary 20-40 degrees.

Oven Info

Select **Settings** and **Oven Info** to display the Model Number and Software Version.

Sabbath

Sabbath mode disables the oven lights (the oven light will not turn on when the door is opened), all sounds (the control will not beep when a button is pressed), Convection, Broil, Warm, Proof, Cook Time, Timer, Clock, and Delay Time functions. Sabbath mode can only be used with Bake. This feature conforms to the Star-K Jewish Sabbath requirements.

To use Sabbath mode, press **Settings**, select **Sabbath**, and select **Turn Sabbath On**. A] will appear in the display and the clock will not display.

Note that if you have a double wall oven, when you place the control into Sabbath mode, both ovens are now in Sabbath mode and available for cooking.

Once in Sabbath mode, at any time you can press **Bake**, use the number pads to enter a temperature between 170F and 550F, and press **Start**. No sound will be given when the keys are pressed. At a random time between 30 seconds and 1 minute,]], will appear in the display indicating the oven is running.

Note that both ovens of a double wall oven can be used in Sabbath mode. Each oven can be programmed to a different temperature and each oven must be programmed separately.

If you need to adjust the temperature, press **Bake**, use the number pads to enter a new temperature between 170F and 550F, and press **Start**.

To turn the oven off, press **Cancel/Off** at any time. **The oven will immediately turn off** and] will change to] indicating that the oven has turned off.

Note that each oven of a double wall oven must be turned off separately.

To exit Sabbath mode, make sure that the oven is turned off. Press and hold the **Settings** pad to turn Sabbath mode off.

NOTE: If power outage occurs during Sabbath mode the unit will remain in Sabbath mode but off when power is restored.

If you wish to use the Cook Time feature to bake in the oven and then have the oven automatically turn off, you will need to press the **Cook Time** pad, enter a cooking time duration, and press **Start**. Then enter special features to start Sabbath mode as detailed above.

Oven Racks

Your oven has six rack positions. Recommended rack positions for various types of foods are provided in the Cooking Guide. Adjusting rack position is one way to impact cooking results. For example, if you would prefer darker tops on cakes, muffins, or cookies, try moving food one rack position higher. If you find foods are too brown on top try moving them down next time.

When baking with multiple pans and on multiple racks, ensure there is sufficient space between pans to allow air to flow.

Your Oven may have extension racks and/or traditional flat racks.

To avoid possible burns, place the racks in the desired position before you turn the oven on.

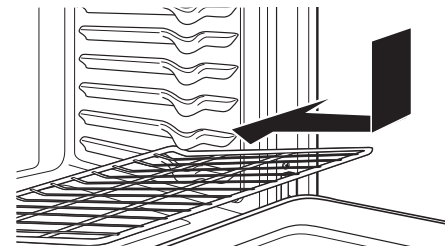
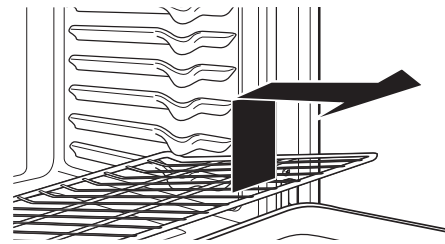
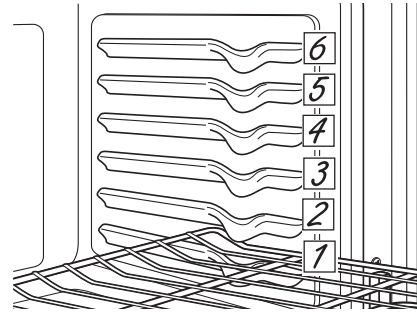
Traditional Flat Racks

When placing and removing cookware, pull the rack out to the bump (stop position) on the rack support.

To remove a rack, pull it toward you, tilt the front end up and pull it out.

To replace, place the curved end of the rack (stop-locks) onto the oven supports, tilt up the front of the rack and push the rack in.

Racks may become difficult to slide, especially after a self-clean. Put some vegetable oil on a soft cloth or paper towel and rub onto the left and right edges of the racks.



Oven Racks (Cont.)

Extension Racks

Always pull the rack out by its upper front rail to its fully open position, when placing or removing cookware. Extension racks cannot be used in the top rack position.

If extension racks are difficult to extend, lubricate the racks with the graphite lubricant provided with your oven. Remove the rack from the oven, remove debris in the side tracks with a paper towel, shake the graphite lubricant and place 4 small drops on the two bottom tracks of the left and right sides. Open and close the rack several times to distribute the lubricant.

To order additional graphite lubricant, read the Accessories section of the manual.

To Remove An Extension Rack:

1. Make sure the rack is pushed all the way into the oven so that side paddles on the rack disengage from the oven support.
2. Slide the rack toward you to the bump (stop position) on the rack support.
3. Firmly grasp both sides of the rack frame and the sliding rack, tilt the front end up and pull it out.

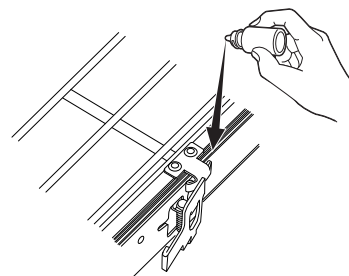
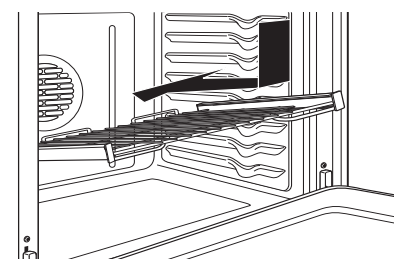
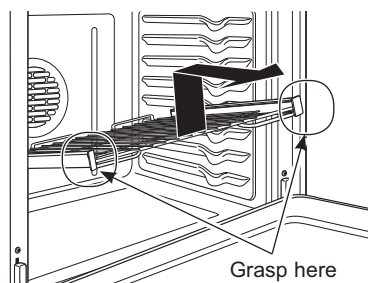
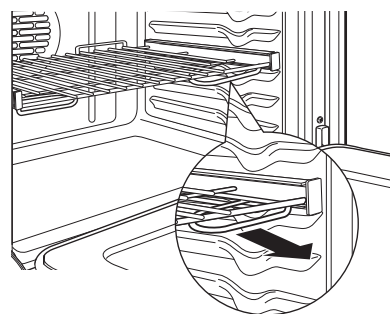
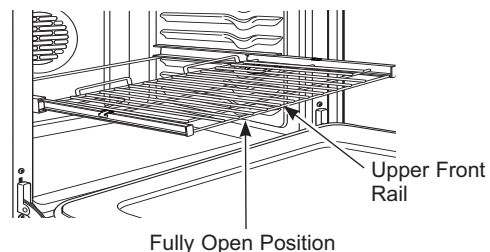
To Replace An Extension Rack:

1. Firmly grasp both sides of the rack frame and the sliding rack.
2. Place the curved end of the rack (stop-locks) onto the oven supports, tilt up the front of the rack and push it in as far as it will go.

If extension racks are difficult to replace or remove, wipe the oven rack supports with cooking oil. Do not wipe oil on the rack slides.

To Lubricate the Paddle:

Shake lubricant and apply to the moving parts of the paddle mechanisms as shown.



Aluminum Foil and Oven Liners

▲ CAUTION Do not use any type of foil or oven liner to cover the oven bottom. These items can trap heat or melt, resulting in damage to the product and risk of shock, smoke or fire. Damage from improper use of these items is not covered by the product warranty.

Foil may be used to catch spills by placing a sheet on a lower rack, several inches below the food. Do not use more foil than necessary and never entirely cover an oven rack with aluminum foil. Keep foil at least 1-1/2" from oven walls to prevent poor heat circulation.

Cookware

Cookware Guidelines

The material, finish, and size of cookware affect baking performance.

Dark, coated and dull pans absorb heat more readily than light, shiny pans. Pans that absorb heat more readily can result in a browner, crisper, and thicker crust. If using dark and coated cookware check food earlier than minimum cook time. If undesirable results are obtained with this type of cookware consider reducing oven temperature by 25° F next time.

Shiny pans can produce more evenly cooked baked goods such as cakes and cookies.

Glass and ceramic pans heat slowly but retain heat well. These types of pans work well for dishes such as pies and custards.

Air insulated pans heat slowly and can reduce bottom browning.

Keep cookware clean to promote even heating.

Cooking Modes

Your new oven has a variety of cooking modes to help you get the best results. These modes are described below. Refer to the Cooking Guide section for recommendations for specific foods. Remember, your new oven may perform differently than the oven it is replacing.

Baking and Roasting Modes

Select a mode for baking and roasting based on the type and quantity of food you are preparing. When preparing baked goods such as cakes, cookies, and pastries always preheat the oven first. Follow recipe recommendations for food placement. If no guidelines are provided, center food in the oven.

Traditional Bake

The traditional bake mode is intended for single rack cooking. This mode uses heat primarily from the lower element but also from the upper element to cook food. To use this mode press the **Bake** pad, enter a temperature, and then press **Start**. Preheating is generally recommended when using this mode.

Convection Bake (upper only on double oven models)

The Convection Bake mode is intended for baking on multiple racks at the same time. This mode uses heat primarily from the rear element but also heat from the upper and lower elements, along with air movement from the convection fan to enhance cooking evenness. Your oven is equipped with Auto Recipe Conversion, so it is not necessary to convert the temperature when using this mode. Baking time might be slightly longer for multiple racks than what would be expected for a single rack. To use this mode press the **Convection** pad, then select **Convection Bake**, enter a temperature, and then press **Start**. Always preheat when using this mode.

Convection Roast (upper only on double oven models)

The Convection Roast mode is intended for roasting whole cuts of meat on a single rack. This mode uses heat from the lower, upper, and rear elements along with air movement from the convection fan to improve browning and reduce cooking time. It is not necessary to convert temperature. Check food earlier than the recipe suggested time when using this mode or use a meat probe. To use this mode press the **Convection** pad, then select **Convection Roast**, enter a temperature, and then press **Start**. It is not necessary to preheat when using this mode.

Broiling Modes

Always broil with the door closed. The broil element in this oven is very powerful. Monitor food closely while broiling. Use caution when broiling on upper rack positions as placing food closer to the broil element increases smoking, spattering, and the possibility of fats igniting. For best performance center food below the broil heating element. **Broiling on rack position 6, in single and lower cavities, is not recommended.**

Try broiling foods that you would normally grill. Adjust rack positions to adjust the intensity of the heat to the food. Place foods closer to the broil element when a seared surface and rare interior is desired. Thicker foods and foods that need to be cooked through should be broiled on a rack position farther from the broiler or by using Broil Lo.

Broil Hi

The Broil Hi mode uses intense heat from the upper element to sear foods. Use Broil Hi for thinner cuts of meat and/or foods you prefer less done on the interior. To use this mode press the **Broil** pad, then select **Hi Broil**, and press **Start**. It is not necessary to preheat when using this mode.

Broil Lo

The Broil Lo mode uses less intense heat from the upper element to cook food thoroughly while also producing surface browning. Use Broil Lo for thicker cuts of meat and/or foods that you would like cooked all the way through. To use this mode press the **Broil** pad, then select **Lo Broil**, and press **Start**. It is not necessary to preheat when using this mode.

Proof

Proof mode is designed for rising (fermenting and proofing) bread doughs. In some models, Proof is found by selecting **Options**. Press **Proof** and then press **Start**. Cover dough well to prevent drying out. Bread will rise more rapidly than at room temperature. Note that for double wall ovens, proof can not be run when running a clean mode in the lower oven.

Warm

Warm mode is designed to keep hot foods hot for up to 3 hours. In some models, Warm is found by selecting **Options**. Press **Warm** and then press **Start**. Cover foods that need to remain moist and do not cover foods that should be crisp. Preheating is not required. Do not use warm to heat cold food other than crisping crackers, chips or dry cereal. It is also recommended that food not be kept warm for more than 2 hours.

Probe

▲WARNING Consuming undercooked food can result in foodborne illness. Use probe according to the following instructions to ensure all portions of the food reach minimum safe cooking temperatures. Recommendations for minimum safe food temperatures can be found at foodsafety.gov or IsItDoneYet.gov.

Internal food temperature is frequently used as an indicator of doneness, especially for roasts and poultry. The Probe mode monitors the internal food temperature and turns the oven off when the internal food temperature reaches the programmed temperature.

Always check the temperature at multiple locations in the food with a food thermometer after cooking to ensure that all portions of the food have reached the minimum safe internal temperature for that food.

Proper Probe Placement

After preparing the meat and placing it on the cooking pan follow these instructions for proper probe placement.

- Insert the probe into the food, so that the tip of the probe will rest in the center of the thickest part of the food. For best performance the probe should be fully inserted into the food. If the probe is not located properly, it may not accurately measure the temperature of the coolest portion of the food. Some foods, particularly small items, are not well suited for cooking with the probe due to their shape or size.
- The probe should not touch bone, fat or gristle.
- For whole poultry insert the probe into the thickest part of the breast.
- For boneless roasts, insert the probe into the center of the roast.
- For bone-in ham or lamb, insert the probe into the center of the lowest large muscle or joint.
- For casseroles or dishes such as meatloaf, insert the probe into the center of the dish.
- For fish, insert the probe from just above the gill into the meatiest area, parallel to the backbone.

Probe Usage

The temperature probe can only be used with Bake, Convection Bake, and Convection Roast.

To use the probe with preheating:

1. Select the desired cook mode (**Bake**, **Convection Bake**, or **Convection Roast**) pad and enter the desired cooking temperature with the number pads.

2. Insert the probe into the food (see Proper Probe Placement).
3. Once the oven is preheated, place the food in the oven and connect the probe to the probe outlet, making sure it is fully inserted. Use caution, the oven walls and probe outlet are hot.
4. When the probe is connected, the display will prompt you to enter the desired food temperature. The maximum internal food temperature that you can set is 200° F.

To use the probe without preheating:

1. Insert the probe into the food (see Proper Probe Placement).
2. Place the food in the oven and connect the probe into the probe outlet in the oven.
3. Press the **Cook Mode** pad (**Traditional Bake**, **Convection Bake**, or **Convection Roast**) and enter the desired cooking temperature with the number pads. Press **Options** and select **Probe** then follow the display prompts to enter the desired food temperature.

Probe Care Guidelines

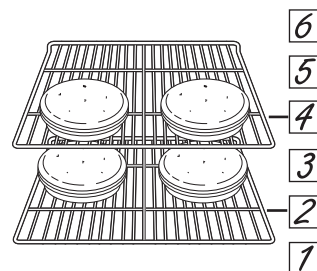
- Use of probes other than the one provided with this product may result in damage to the probe outlet.
- Use the handles of the probe and plug when inserting and removing them from the meat and outlet
- To avoid damaging your probe, do not use tongs to pull on the cable when removing it.
- To avoid breaking the probe, make sure food is completely defrosted before inserting the probe.
- To prevent possible burns, do not unplug the probe from the outlet until the oven has cooled.
- Never leave the probe inside the oven during a self or steam clean cycle.
- Do not store the probe in the oven.

Cooking Guide - Lower Oven

FOOD TYPE	RECOMMENDED MODE(S)	RECOMMENDED RACK POSITION(S)	ADDITIONAL SUGGESTIONS
Baked Goods			
Layer cakes, sheet cakes, bundt cakes, muffins, quick breads on a Single Rack	Traditional Bake	3	Use shiny cookware.
Layer cakes* on Multiple Racks	Traditional Bake	2 and 4	Ensure adequate airflow (see illustration below).
Chiffon cakes (angel food)	Traditional Bake	1	Use shiny cookware.
Cookies, biscuits, scones on a Single Rack	Traditional Bake	3	Use shiny cookware.
Cookies, biscuits, scones on Multiple Racks	Traditional Bake	2 and 4	For foods like sugar cookies, switch food location partially through cooking for more even cooking results between racks. Ensure adequate airflow.
Beef & Pork			
Hamburgers	Broil Hi	5	Use a broil pan; move food down for more doneness/less searing. Watch food closely when broiling. For best performance center food below the broil heating element.
Steaks & Chops	Broil Hi	5	Use a broil pan; move food down for more doneness/less searing. Watch food closely when broiling. For best performance center food below the broil heating element.
Roasts	Traditional Bake	2	Leave uncovered, use a low sided pan such as a broil pan. Preheating is not necessary.
Poultry			
Whole chicken	Traditional Bake	2	Use a low sided pan such as a broil pan. Preheating is not necessary.
Bone-in chicken breasts, legs, thighs	Broil Lo Traditional Bake	3	Broil skin side down first. Watch food closely when broiling. For best performance when broiling, center food below the broil heating element.
Boneless chicken breasts	Broil Lo Traditional Bake	3	Move food down for more doneness/less searing and up for greater searing/browning when broiling. For best performance when broiling, center food below the broil heating element.
Whole turkey	Traditional Bake	1 or 2	Use a low sided pan such as a broil pan. Preheating is not necessary.
Turkey Breast	Traditional Bake	2	Use a low sided pan such as a broil pan. Preheating is not necessary.
Fish	Broil Lo	5 (1/2 thick or less) 4 (>1/2 inch)	Watch food closely when broiling. For best performance center food below the broil heating element.
Casseroles	Traditional Bake	3	
Frozen Convenience Foods			
Potato products, chicken nuggets, appetizers on a Single Rack	Traditional Bake	3	Use shiny cookware.
Potato products, chicken nuggets, appetizers on Multiple Racks	Traditional Bake	2 and 4	Use shiny cookware. Switch food location partially through cooking for more even cooking results.

*When baking four cake layers at a time, use racks 2 and 4. Place the pans as shown so that one pan is not directly above another.

Cook food thoroughly to help protect against food borne illness. Minimum safe food temperature recommendations for food safety can be found at IsItDoneYet.gov. Make sure to use a food thermometer to take food temperatures.

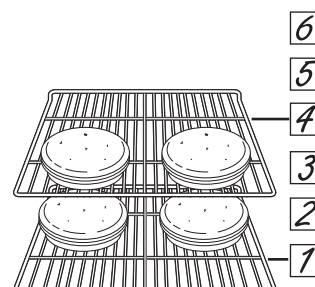


Cooking Guide - Upper/Single Oven

FOOD TYPE	RECOMMENDED MODE(S)	RECOMMENDED RACK POSITION(S)		ADDITIONAL SUGGESTIONS
		27"	30"	
Baked Goods				
Layer cakes, sheet cakes, bundt cakes, muffins, quick breads on a Single Rack	Traditional Bake	2 ext. or 3 flat	3	Use shiny cookware.
Layer cakes* on Multiple Racks	Convection Bake	1 ext. and 4 flat		Ensure adequate airflow (see illustration below).
Chiffon cakes (angel food)	Traditional Bake	1		Use shiny cookware.
Cookies, biscuits, scones on a Single Rack	Traditional Bake	2 ext. or 3 flat	3	Use shiny cookware.
Cookies, biscuits, scones on Multiple Racks	Convection Bake	1 ext. and 4 flat		Ensure adequate airflow.
Beef & Pork				
Hamburgers	Broil Hi	5		Use a broil pan; move food down for more doneness/less searing. Watch food closely when broiling. For best performance center food below the broil heating element.
Steaks & Chops	Broil Hi	5		Use a broil pan; move food down for more doneness/less searing. Watch food closely when broiling. For best performance center food below the broil heating element.
Roasts	Traditional Bake Convection Roast	2 ext. or 3 flat		Leave uncovered, use a low sided pan such as a broil pan. Preheating is not necessary.
Poultry				
Whole chicken	Traditional Bake Convection Roast	2 ext. or 3 flat		Use a low sided pan such as a broil pan. Preheating is not necessary.
Bone-in chicken breasts, legs, thighs	Broil Lo Traditional Bake Convection Roast	3 ext. 2 ext. or 3 flat 2 ext. or 3 flat	3	Broil skin side down first. Watch food closely when broiling. For best performance when broiling, center food below the broil heating element.
Boneless chicken breasts	Broil Lo Traditional Bake Convection Roast	3 ext. 2 ext. or 3 flat 2 ext. or 3 flat	3	Move food down for more doneness/less searing and up for greater searing/browning when broiling. For best performance when broiling, center food below the broil heating element.
Whole turkey	Traditional Bake Convection Roast	1 or 2		Use a low sided pan such as a broil pan. Preheating is not necessary.
Turkey Breast	Traditional Bake Convection Roast	2 ext. or 3 flat		Use a low sided pan such as a broil pan. Preheating is not necessary.
Fish	Broil Lo	5 (1/2 thick or less) 4 (>1/2 inch)		Watch food closely when broiling. For best performance center food below the broil heating element.
Casseroles	Traditional Bake	2 ext. or 3 flat	3	
Frozen Convenience Foods				
Pizza on a single rack	Traditional Bake	2 ext. or 3 flat	3	Use shiny cookware.
Pizza on multiple racks	Convection Bake	1 ext. or 4 flat		Use shiny cookware.
Potato products, chicken nuggets, appetizers on a Single Rack	Traditional Bake	2 ext. or 3 flat	3	Use shiny cookware.
Potato products, chicken nuggets, appetizers on Multiple Racks	Convection Bake	1 ext. or 4 flat		Use shiny cookware. Switch food location partially through cooking for more even cooking results.

*When baking four cake layers at a time, use racks 1 and 4. Place the pans as shown so that one pan is not directly above another.

Cook food thoroughly to help protect against food borne illness. Minimum safe food temperature recommendations for food safety can be found at IsItDoneYet.gov. Make sure to use a food thermometer to take food temperatures.



Oven

Be sure electrical power is off and all surfaces are cool before cleaning any part of the oven.

Control Panel

It's a good idea to wipe the control panel after each use. Clean with mild soap and water or vinegar and water, rinse with clean water and polish dry with a soft cloth.

Do not use abrasive cleansers, strong liquid cleansers, plastic scouring pads or oven cleaners on the control panel—they will damage the finish.

Oven Exterior

Do not use oven cleaners, abrasive cleansers, strong liquid cleansers, steel wool, plastic scouring pads, or cleaning powders on the interior or exterior of the oven. Clean with a mild soap and water or vinegar and water solution. Rinse with clean water and dry with a soft cloth. When cleaning surfaces, make sure that they are at room temperature and not in direct sunlight.

If stain on the door vent trim is persistent, use a mild abrasive cleaner and a sponge-scrubber for best results. Spillage of marinades, fruit juices, tomato sauces and basting liquids containing acids may cause discoloration and should be wiped up immediately. Let hot surfaces cool, then clean and rinse.

Painted Surfaces and Black Stainless Steel (on some models)

Painted surfaces may include the door and trim around the control panel. Clean these with soap and water or a vinegar and water solution.

Do not use commercial oven cleaners, cleaning powders, steel wool or harsh abrasives on any painted surface, including Black Stainless Steel.

Stainless Steel - Excluding Black Stainless Steel (on some models)

Do not use a steel wool pad; it will scratch the surface. To clean the stainless steel surface, use warm sudsy water or a stainless steel cleaner or polish. Always wipe the surface in the direction of the grain. Follow the cleaner instructions for cleaning the stainless steel surface. Cleaners with oxalic acid such as Bar Keepers Friend Soft

Cleanser™ will remove surface rust, tarnish and small blemishes. Use only a liquid cleanser free of grit and rub in the direction of the brush lines with a damp, soft sponge. To inquire about purchasing cleaning products including stainless steel appliance cleaner or polish read the Accessories sections of this manual.

Oven Interior

The interior of your new oven can be cleaned manually or by using the Steam Clean or Self Clean modes. Spillage of marinades, fruit juices, tomato sauces and basting liquids containing acids may cause discoloration and should be wiped up immediately. Let hot surfaces cool, then clean and rinse.

Manual Cleaning

Do not use oven cleaners, abrasive cleaners, strong liquid cleansers, steel wool, scouring pads, or cleaning powders on the interior of the oven. Clean with a mild soap and water or vinegar and water solution. Rinse with clean water and dry with a soft cloth. When cleaning surfaces, make sure that they are at room temperature.

Steam Clean Mode

Steam clean is intended to clean small spills using water and a lower cleaning temperature than Self-Clean. To use the Steam Clean feature, wipe grease and soils from the oven. Pour one cup of water into the bottom of the oven. Close the door. Press the **Clean** pad **twice** and then press **Start**. The oven door will lock. You can not open the door during the 30 minute steam clean as this will decrease the steam clean performance. At the end of the steam clean cycle the door will unlock. Wipe out any excess water and any remaining soil.

NOTE: Water in the bottom of the oven may be hot right after finishing the cycle.

Self Clean Mode

Read Self-Cleaning Oven Safety Instructions at the beginning of this manual before using Self Clean Mode. Self clean uses very high temperatures to clean the oven interior. The oven door will lock when using this feature. Before operating the self-clean cycle, wipe up grease and soils from the oven. Remove all items from the oven other than enameled (dark color) racks. Shiny or silver racks, the meat probe, and any cookware or other items should all be removed from the oven before initiating a self-clean cycle. Close the door. Press the **Clean** pad once and a default self-clean time is displayed. The clean time can be changed to any time between 3:00 and 5:00 hours by using the number pads to enter a different time and pressing **Start**. For heavily soiled ovens, the maximum 5 hour clean time is recommended. If you wish to use the default time, press the **Start** pad immediately after pressing the **Clean** pad. The oven will turn off automatically when the self-clean cycle is complete. The door will stay locked until the oven has cooled down. After the oven has cooled down wipe any ash out of the oven.

IMPORTANT: The health of some birds is extremely sensitive to the fumes given off during the self-cleaning cycle of any range. Move birds to another well-ventilated room.

Oven (Cont.)

Oven Racks

Racks that are enameled, not shiny, can be left in the cavity during self clean, or can be washed with warm, soapy water.

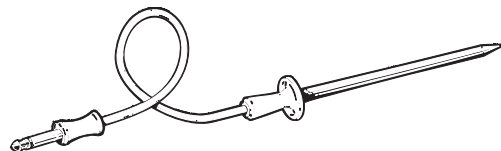
Racks may be more difficult to slide, especially after a self-clean. Put some vegetable oil on a soft cloth or paper towel and rub onto the left and right edges.

Probe

The temperature probe may be cleaned with soap and water or a soap-filled scouring pad. Cool the temperature probe before cleaning. Scour stubborn spots with a soap-filled scouring pad, rinse and dry.

To order additional temperature probes read the Assistance and Accessories sections at the beginning of this manual.

- Do not immerse the temperature probe in water.
- Do not store the temperature probe in the oven.
- Do not leave the temperature probe inside the oven during a self or steam clean cycle.



Oven Light

⚠ WARNING SHOCK OR BURN HAZARD: Before replacing oven light bulb, disconnect the electrical power to the oven at the main fuse or circuit breaker panel. Failure to do so may result in electric shock or burn.

⚠ CAUTION BURN HAZARD: The glass cover and bulb should be removed when cool. Touching hot glass with bare hands or a damp cloth can cause burns.

1. Disconnect power at the main fuse or circuit breaker panel.
2. Remove oven racks.
3. Slide a flat blade screwdriver or butter knife between the metal housing and the glass light cover.
NOTE: on some models there is a metal clip visibly holding the glass. The tool needs inserted between the metal housing and the clip holding the glass.
4. Support the glass light cover with two fingers to prevent the cover from falling to the bottom of the oven.
5. Gently twist the screwdriver blade or butter knife to loosen the glass light cover. Be careful not to chip the oven coating.
6. Remove the glass light cover.
7. Remove the bulb by firmly grasping and sliding the bulb straight out until the two prongs have cleared the ceramic holder.
8. Do not touch the glass of the new replacement bulb with your fingers. It will cause the bulb to fail when it lights. Grasp the replacement bulb with a clean towel or facial tissue with the prongs facing down. Align the two prongs in the ceramic holder, pressing gently until the bulb is securely in the ceramic socket.
9. Slide the protective lens into the holder and push until the clips snap into the housing.
10. Reconnect power.

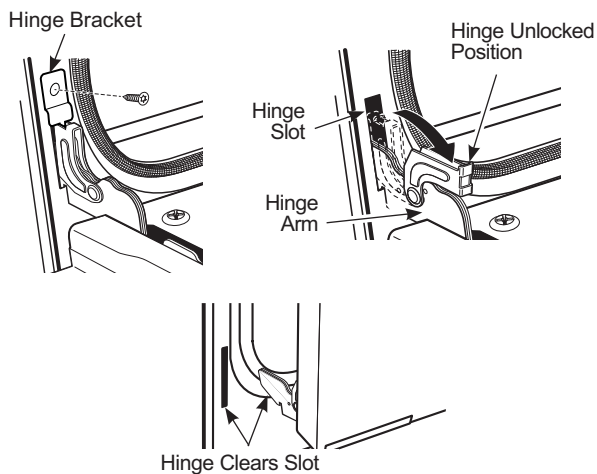
Oven Door

Oven Door Removal

NOTE: Door removal is not a requirement for installation of the product but is an added convenience.

To remove the door:

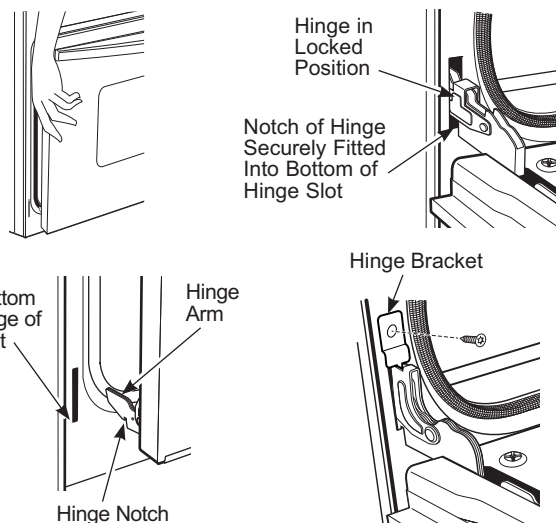
1. Open the oven door as far as it will go.
2. Remove hinge bracket (if present) from front frame and set aside. The hinge bracket must be replaced for proper door functionality when door is reinstalled.
3. Push both hinge locks down toward the door frame to the unlocked position. This may require a flat-blade screwdriver. **DO NOT LIFT THE DOOR BY THE HANDLE!**
4. Place hands on both sides of the door and close the oven door to the removal position (approximately 1"–2" [2.5 cm–5.1 cm] from the closed position).
5. Lift the door up and out until the hinge arms clear the slots. **NOTE:** The oven door is very heavy. Be sure you have a firm grip before lifting the oven door off the hinges. Use caution once the door is removed. Do not lay the door on its handle. This could cause dents or scratches.



Replacing the Oven Door

NOTE: The oven door is heavy. You may need help lifting the door high enough to slide it into the hinge slots. Do not lift the door by the handle.

1. Lift the oven door by grasping each side.
2. With the door at the same angle as the removal position (approximately 1"–2" [2.5 cm–5.1 cm] from the closed position), seat the notch of the hinge arm into the bottom edge of the hinge slot. The notch of the hinge arm must be fully seated into the bottom of the slot.
3. Fully open the door. If the door will not fully open, the indentation is not seated correctly in the bottom edge of the slot.
4. Push the hinge locks up against the front frame of the oven cavity, to the locked position.
5. Replace hinge bracket (if present). The hinge bracket must be replaced for proper door functionality.
6. Close the oven door.






Troubleshooting tips ... Before you call for service

Save time and money! Review the charts on the following pages or visit GEAppliances.com/ge/service-and-support/cookingproducts.htm for helpful articles and support videos before you call for service.

Problem	Possible Cause	What To Do
My new oven doesn't cook like my old one. Is something wrong with the temperature settings?	Your new oven has a different cooking system from your old oven and therefore may cook differently than your old oven.	For the first few uses, follow your recipe times and temperatures carefully. If you still think your new oven is too hot or too cold, you can adjust the temperature yourself to meet your specific cooking preference. NOTE: This adjustment affects Bake and Convection Bake Multi; it will not affect Convection Roast, Broil or Clean.
Food does not bake properly	Oven controls improperly set.	See the Cooking Modes section.
	Rack position is incorrect or rack is not level.	See the Cooking Modes section and Cooking Guide.
	Incorrect cookware or cookware of improper size being used.	See the Cookware section.
	Oven temperature needs adjustment.	See the Settings section.
Food does not broil properly	Ingredient substitution	Substituting ingredients can change the recipe outcome.
	Oven controls improperly set.	Make sure you select the appropriate broil mode.
	Improper rack position being used.	See Cooking Guide for rack location suggestions.
	Food being cooked in a hot pan.	Make sure cookware is cool.
	Cookware not suited for broiling.	Use a pan specifically designed for broiling.
	Aluminum foil used on the broiling pan and grid has not been fitted properly and slit as recommended.	If using aluminum foil conform to pan slits.
Oven temperature too hot or too cold	In some areas the power (voltage) may be low.	Preheat the broil element for 10 minutes.
	Oven temperature needs adjustment.	See the Settings section.
Oven does not work or appears not to work	A fuse in your home may be blown or the circuit breaker tripped.	Replace the fuse or reset the circuit breaker.
	Oven controls improperly set.	See the Using the Oven section.
	Oven is in Sabbath Mode.	Verify, that the oven is not in Sabbath Mode. See the Settings section.
"Crackling" or "popping" sound	This is the sound of the metal heating and cooling during both the cooking and cleaning functions.	This is normal.
Why is my range making a "clicking" noise when using my oven?	Your range has been designed to maintain a tighter control over your oven's temperature. You may hear your oven's heating elements "click" on and off more frequently than in older ovens to achieve better results during baking, broiling, convection, and self-clean cycles.	This is normal.
Clock and timer do not work	A fuse in your home may be blown or the circuit breaker tripped.	Replace the fuse or reset the circuit breaker.
Oven light does not work	Light bulb is loose or defective.	Tighten or replace bulb.
	Pad operating light is broken.	Call for service.
Oven will not self-clean	The temperature is too high to set a self-clean operation.	Allow the oven to cool and reset the controls.
	Oven controls improperly set.	See the Cleaning the Oven section.

Troubleshooting tips ... Before you call for service

Problem	Possible Cause	What To Do
Excessive smoking during clean cycle	Excessive soil or grease.	Press the Cancel/Off pad. Open the windows to rid the room of smoke. Wait until the  goes off. Wipe up the excess soil and reset the clean cycle.
Excessive smoking during broiling	Food too close to burner element.	Lower the rack position of the food.
Oven door will not open after a clean cycle	Oven too hot.	Allow the oven to cool below locking temperature.
Oven not clean after a clean cycle	Oven controls improperly set.	See the Cleaning the Oven section.
	Oven was heavily soiled.	Clean up heavy spillovers before starting the clean cycle. Heavily soiled ovens may need to self-clean again or for a longer period of time.
 flashes in the display	The self-clean cycle has been selected but the door is not closed.	Close the oven door.
 is on when you want to cook	The oven door is locked because the temperature inside the oven has not dropped below the locking temperature.	Press the Cancel/Off pad. Allow the oven to cool.
“F— and a number or letter” flash in the display	You have a function error code.	Press the Cancel/Off pad. Allow the oven to cool for one hour. Put the oven back into operation.
	If the function code repeats.	Disconnect all power to the oven for at least 30 seconds and then reconnect power. If the function error code repeats, call for service.
Display goes blank	A fuse in your home may be blown or the circuit breaker tripped.	Replace the fuse or reset the circuit breaker.
	The clock is turned off.	See the Settings section.
	Oven is in Sabbath Mode.	Verify that the oven is not in Sabbath Mode. See the Settings section.
Power outage, clock flashes	Power outage or surge	Reset the clock. If the oven was in use, you must reset it by pressing the Cancel/Off pad, setting the clock and resetting any cooking function.
“Burning” or “oily” odor emitting from the vent	This is normal in a new oven and will disappear in time.	To speed the process, set a self-clean cycle for a minimum of 3 hours. See the Cleaning the Oven section.
Strong odor	An odor from the insulation around the inside of the oven is normal for the first few times the oven is used.	This is temporary and will go away after several uses or a self-clean cycle.
Fan noise	A cooling fan may automatically turn on.	This is normal. The cooling fan will turn on to cool internal parts. It may run for up to 1-1/2 hours after the oven is turned off.
My oven door glass appears to be “tinted” or have a “rainbow” color. Is this defective?	No. The inner oven glass is coated with a heat barrier to reflect the heat back into the oven to prevent heat loss and keep the outer door cool while baking.	This is normal. Under certain light or angles, you may see this tint or rainbow color.
Sometimes the oven takes longer to preheat to the same temperature	Cookware or food in oven	The cookware or food in the oven will cause the oven to take longer to preheat. Remove items to reduce preheat time.
	Number of racks in oven	Adding more racks to the oven will cause the oven to take longer to preheat. Remove some racks.
	Different cooking modes	The different cooking modes use different preheat methods to heat the oven for the specific cooking mode. Some modes will take longer than others (i.e. convection bake multi).
Oven will not work remotely	Router issues, no wireless signal, etc.	For assistance with oven wireless network connectivity, please call 800.220.6899.
	Oven is not connected.	

Notes

Notes

Notes

GE Appliances Electric Oven Limited Warranty

GEAppliances.com

All warranty service is provided by our Factory Service Centers, or an authorized Customer Care® technician. To schedule service online, visit us at GEAppliances.com/service_and_support/, or call GE Appliances at 800.GE.CARES (800.432.2737). Please have your serial number and your model number available when calling for service.

Servicing your appliance may require the use of the onboard data port for diagnostics. This gives a GE Appliances factory service technician the ability to quickly diagnose any issues with your appliance and helps GE Appliances improve its products by providing GE Appliances with information on your appliance. If you do not want your appliance data to be sent to GE Appliances, please advise your technician not to submit the data to GE Appliances at the time of service.

For the period of	GE Appliances will replace
One year From the date of the original purchase	Any part of the oven which fails due to a defect in materials or workmanship. During this limited one-year warranty , GE Appliances will provide, free of charge , all labor and in-home service to replace the defective part.

What GE Appliances will not cover:

- Service trips to your home to teach you how to use the product.
- Improper installation, delivery or maintenance.
- Failure of the product if it is abused, misused, modified or used for other than the intended purpose or used commercially.
- Replacement of house fuses or resetting of circuit breakers.
- Damage to the product caused by accident, fire, floods or acts of God.
- Damage to finish, such as surface rust, tarnish, or small blemishes not reported within 48 hours of delivery.
- Incidental or consequential damage caused by possible defects with this appliance.
- Damage caused after delivery.
- Product not accessible to provide required service.
- Service to repair or replace light bulbs, except for LED lamps.

EXCLUSION OF IMPLIED WARRANTIES

Your sole and exclusive remedy is product repair as provided in this Limited Warranty. Any implied warranties, including the implied warranties of merchantability or fitness for a particular purpose, are limited to one year or the shortest period allowed by law.

This limited warranty is extended to the original purchaser and any succeeding owner for products purchased for home use within the USA. If the product is located in an area where service by a GE Appliances Authorized Servicer is not available, you may be responsible for a trip charge or you may be required to bring the product to an Authorized GE Appliances Service location for service. In Alaska, the limited warranty excludes the cost of shipping or service calls to your home.

Some states do not allow the exclusion or limitation of incidental or consequential damages. This limited warranty gives you specific legal rights, and you may also have other rights which vary from state to state. To know what your legal rights are, consult your local or state consumer affairs office or your state's Attorney General.

Warrantor: GE Appliances, a Haier company
 Louisville, KY 40225

Extended Warranties: Purchase a GE Appliances extended warranty and learn about special discounts that are available while your warranty is still in effect. You can purchase it online anytime at

GEAppliances.com/extended-warranty

or call 800.626.2224 during normal business hours. GE Appliances Service will still be there after your warranty expires.

Staple your receipt here. Proof of the original purchase date is needed to obtain service under the warranty.

Accessories

Looking For Something More?

GE Appliances offers a variety of accessories to improve your cooking and maintenance experiences!

Refer to the Consumer Support page for phone numbers and website information.

The following products and more are available:

Accessories

Small Broiler Pan (8 ¾" x 1 ¼" x 13 ½")

Large* Broiler Pan (12 ¾" x 1 ¼" x 16 ½")

XL** Broiler Pan (17" x 1 ¼" x 19 1/4")

Parts

Oven racks

27" Never Scrub Glide Rack

30" Never Scrub Glide Rack

Oven elements

Light bulbs

Cleaning Supplies

CitruShine™ Stainless Steel Wipes

CeramaBryte Stainless Steel Appliance Cleaner

Graphite Lubricant***

*The large broiler pan does not fit in 20"/24" ranges.

**The XL broiler pan does not fit in 24" wall ovens, 27" drop ins or 20"/24" ranges.

***For use with Never Scrub glide racks.

Consumer Support

GE Appliances Website

Have a question or need assistance with your appliance? Try the GE Appliances Website 24 hours a day, any day of the year! You can also shop for more great GE Appliances products and take advantage of all our on-line support services designed for your convenience. In the US: GEAppliances.com

Register Your Appliance

Register your new appliance on-line at your convenience! Timely product registration will allow for enhanced communication and prompt service under the terms of your warranty, should the need arise. You may also mail in the pre-printed registration card included in the packing material. In the US: GEAppliances.com/register

Schedule Service

Expert GE Appliances repair service is only one step away from your door. Get on-line and schedule your service at your convenience any day of the year. In the US: GEAppliances.com/service or call 800.432.2737 during normal business hours.

Extended Warranties

Purchase a GE Appliances extended warranty and learn about special discounts that are available while your warranty is still in effect. You can purchase it on-line anytime. GE Appliances Services will still be there after your warranty expires. In the US: GEAppliances.com/extended-warranty or call 800.626.2224 during normal business hours.

Remote Connectivity

For assistance with wireless network connectivity (for models with remote enable), visit our website at GEAppliances.com/connect or call 800.220.6899 in the US.

Parts and Accessories

Individuals qualified to service their own appliances can have parts or accessories sent directly to their homes (VISA, MasterCard and Discover cards are accepted). Order on-line today 24 hours every day. In the US: GEApplianceparts.com or by phone at 877.959.8688 during normal business hours.

Instructions contained in this manual cover procedures to be performed by any user. Other servicing generally should be referred to qualified service personnel. Caution must be exercised, since improper servicing may cause unsafe operation.

Contact Us

If you are not satisfied with the service you receive from GE Appliances, contact us on our Website with all the details including your phone number, or write to:

In the US: General Manager, Customer Relations | GE Appliances, Appliance Park | Louisville, KY 40225
GEAppliances.com/contact



HORNO DE PARED

Eléctrico con Convección Incorporado

INFORMACIÓN DE SEGURIDAD ... 3

USO DEL HORNO

Controles del Horno de Pared Simple 6

Controles del Horno de Pared Doble 7

Options (Opciones) 8

Settings (Configuraciones)..... 9

Estantes del Horno.....11

Papel de Aluminio y Cobertores del Horno...13

Utensilios13

Modos de Cocción14

Probe (Sonda).....15

Guía de Cocción - Horno Inferior.....16

Guía de Cocción - Horno Superior/ Simple...17

CUIDADO Y LIMPIEZA

Horno18

Probe (Sonda).....19

Luz del Horno19

Puerta del Horno 20

CONSEJOS PARA LA SOLUCIÓN DE PROBLEMAS21

GARANTÍA LIMITADA..... 26

ACCESORIOS 27

SOPORTE PARA EL CONSUMIDOR 28

MANUAL DEL PROPIETARIO

- Horno de Pared Simple JKS5000 de 27"
- Horno de Pared Simple JTS5000 de 30"
- Horno de Pared Doble JKD5000 de 27"
- Horno de Pared Doble JTD5000 de 30"

Escriba los números de modelo y serie aquí:

Nº de Modelo _____

Nº de Serie _____

Los podrá encontrar en una etiqueta en el borde lateral o en el frente del horno (inferior) detrás de la puerta del horno.

GRACIAS POR HACER QUE GE APPLIANCES SEA PARTE DE SU HOGAR.

Ya sea que haya crecido usando GE Appliances, o que ésta es su primera vez, nos complace tenerlo en la familia.

Sentimos orgullo por el nivel de arte, innovación y diseño de cada uno de los electrodomésticos de GE Appliances, y creemos que usted también. Entre otras cosas, el registro de su electrodoméstico asegura que podamos entregarle información importante del producto y detalles de la garantía cuando los necesite.

Registre su electrodoméstico GE ahora a través de Internet. Sitios Web y números telefónicos útiles están disponibles en la sección de Soporte para el Consumidor de este Manual del Propietario.

También puede enviar una carta en la tarjeta de inscripción preimpresa que se incluye con el material embalado.



GE APPLIANCES

INFORMACIÓN IMPORTANTE DE SEGURIDAD

LEA TODAS LAS INSTRUCCIONES ANTES DE USAR ESTE ELECTRODOMÉSTICO

⚠ADVERTENCIA Lea todas las instrucciones de seguridad antes de utilizar este producto. No seguir estas instrucciones puede generar un incendio, una descarga eléctrica, lesiones corporales o la muerte.

⚠ADVERTENCIA INSTRUCCIONES GENERALES DE SEGURIDAD

- Use este electrodoméstico sólo para su propósito original, como se describe en el Manual del Propietario.
- Solicite que un instalador calificado instale su electrodoméstico y que esté adecuadamente conectado a tierra, de acuerdo con las instrucciones de instalación provistas.
- No intente reparar o reemplazar ninguna parte del horno, a menos que se recomiende específicamente en este manual. Cualquier otra reparación deberá ser realizada por un técnico calificado.
- Antes de realizar cualquier servicio técnico, desconecte el suministro de corriente desde el panel de distribución del hogar, retirando el fusible o desconectando el disyuntor.
- No deje a los niños solos – no se deberá dejar a los niños solos o fuera de su radio de atención en el área donde el electrodoméstico se encuentre en uso. Nunca se les deberá permitir trepar, sentarse o pararse sobre ninguna parte del electrodoméstico.
- **⚠PRECAUCIÓN** No coloque artículos de interés para los niños sobre los gabinetes que están sobre un horno – si los niños se trepan sobre el horno para llegar a estos artículos podrían sufrir lesiones graves.
- Use sólo mangos de ollas secas – los mangos húmedos sobre superficies calientes pueden producir quemaduras debido al vapor. No deje que los mangos de las ollas toquen los elementos que están calientes. No use una toalla u otra tela voluminosa para reemplazar el mango de las cacerolas.
- Nunca use el electrodoméstico para calentar o calefaccionar la habitación.
- No toque el elemento calentador ni la superficie interior del horno. Es posible que estas superficies estén demasiado calientes como para quemar, aunque su color sea oscuro. Durante y después del uso, no toque ni permita que telas u otros materiales inflamables toquen cualquier área interior del horno; espere a que haya pasado un tiempo suficiente para que se enfríen. Otras superficies del electrodoméstico se podrán calentar lo suficiente como para ocasionar lesiones. Las superficies potencialmente calientes incluyen la abertura de la ventilación del horno, superficies cercanas a la abertura y grietas alrededor de la puerta del horno.
- No caliente envases de comida que no hayan sido abiertos. Se podría acumular presión y el envase podría explotar, ocasionando una lesión.
- No use ningún tipo de aluminio o cobertor para cubrir el fondo del horno o cualquier parte del horno, excepto como se describe en este manual. Los cobertores de horno pueden atrapar el calor o derretirse, ocasionando daños sobre el producto y el riesgo de descargas, humo o incendios.
- Evite las ralladuras o impactos sobre las puertas de vidrio o los paneles de control. Hacer esto podrá producir la rotura de vidrios. No cocine un producto con un vidrio roto. Es posible que se produzcan descargas, incendios o cortes.
- Cocine carnes y carnes de ave en forma completa – la carne por lo menos a una temperatura interna de 160° F y la carne de ave por lo menos a una temperatura interna de 180° F. Normalmente la cocción a estas temperaturas es una protección contra las enfermedades transmitidas por la comida.

⚠ADVERTENCIA MANTENGA LOS MATERIALES INFLAMABLES ALEJADOS DE LA COCINA Si esto no se cumple, se podrán sufrir lesiones personales graves o incendios.

- No guarde ni use materiales inflamables en o cerca de un horno, incluyendo papel, plástico, mangos de ollas, trapos, cobertores de pared, cortinas, paños y gasolina u otros vapores y líquidos inflamables.
- Nunca use prendas holgadas o que cuelguen mientras usa el electrodoméstico. Estas prendas se podrán incendiar si entran en contacto con superficies calientes, ocasionando quemaduras graves.
- No permita que la grasa de la cocción u otros materiales inflamables se acumulen en o cerca del horno. La grasa que está en o cerca del horno se podrá incendiar.
- **Funcionamiento Remoto** - Este electrodoméstico permite su configuración para un funcionamiento remoto en cualquier momento. No guarde materiales inflamables ni ítems sensibles a la temperatura dentro de este electrodoméstico.

LEA Y GUARDE ESTAS INSTRUCCIONES

INFORMACIÓN IMPORTANTE DE SEGURIDAD

LEA TODAS LAS INSTRUCCIONES ANTES DE USAR ESTE ELECTRODOMÉSTICO

▲ADVERTENCIA EN CASO DE INCENDIO, SIGA LOS SIGUIENTES PASOS PARA EVITAR LESIONES O LA PROPAGACIÓN DEL FUEGO

- No use agua sobre el fuego de la grasa. Nunca tome una olla que se esté incendiando.
- Si hay un incendio en el horno durante el horneado, ahogue el fuego cerrando la puerta del horno y apagando el mismo o usando un químico seco multipropósito o un extintor de incendio con espuma.
- En caso de que haya fuego en el horno durante el ciclo de limpieza automática, apague el horno y espere a que el fuego se extinga. No fuerce la puerta para abrirla. La entrada de aire fresco sobre las temperaturas de la limpieza automática podrá conducir a la producción de llamas en el horno. Si no se siguen estas instrucciones, se podrán producir quemaduras graves.

▲ADVERTENCIA INSTRUCCIONES DE SEGURIDAD DEL HORNO

- Manténgase alejado del horno al abrir la puerta del mismo. El aire caliente o el vapor que sale puede causar quemaduras en las manos, rostro y/u ojos.
- Mantenga desobstruida la ventilación del horno.
- Mantenga el horno libre de acumulación de grasa. La grasa del horno se puede incendiar.
- Coloque los estantes del horno en la ubicación deseada mientras éste se encuentra frío. Si es necesario mover el estante mientras el horno está caliente, evite que el mango de la olla tenga contacto con el elemento calentador en el horno.
- Al usar las bolsas para cocinar o dorar en el horno, siga las instrucciones del fabricante.
- Es conveniente empujar hacia afuera los estantes estándares hasta el tope o empujar el estante extensible hasta la posición completamente abierta para levantar comidas pesadas. Esto también es una precaución contra quemaduras por tocar superficies calientes de la puerta o las paredes del horno.
- No deje productos tales como papel, utensilios de cocina ni comida en el horno cuando éste no se encuentre en uso. Los artículos guardados en el horno se pueden incendiar.
- Nunca coloque los utensilios de cocina, piedras para pizza u horneado o cualquier otro tipo de aluminio o cobertor en la base del horno. Estos ítems pueden atrapar el calor o derretirse, ocasionando daños sobre el producto y el riesgo de descargas, humo o incendios.

▲ADVERTENCIA INSTRUCCIONES DE SEGURIDAD DEL HORNO CON LIMPIEZA AUTOMÁTICA

La función de limpieza automática usa el horno en temperaturas lo suficientemente altas como para consumir la suciedad de comida que haya dentro del horno. Para un funcionamiento seguro, siga estas instrucciones.

- No toque las superficies del horno durante el ciclo de limpieza automática. Mantenga a los niños alejados del horno durante la limpieza automática. Si no se siguen estas instrucciones, se podrán producir quemaduras.
- Antes de usar el ciclo de limpieza automática del horno, retire los estantes de color gris brillante (en algunos modelos), la sonda, cualquier papel de aluminio, y cualquier bandeja para asar, rejilla, u otros utensilios. Sólo se pueden dejar dentro del horno los estantes para horno cubiertos de porcelana.
- Antes de utilizar el ciclo de limpieza automática, limpie la grasa y restos de comida que haya en el horno. Una cantidad excesiva de grasa se puede incendiar, lo cual puede producir daños con humo en su hogar.

LEA Y GUARDE ESTAS INSTRUCCIONES

INFORMACIÓN IMPORTANTE DE SEGURIDAD

LEA TODAS LAS INSTRUCCIONES ANTES DE USAR ESTE ELECTRODOMÉSTICO

▲ ADVERTENCIA INSTRUCCIONES DE SEGURIDAD DEL HORNO CON LIMPIEZA AUTOMÁTICA (Cont.)

- Si el modo de limpieza automática funciona de forma incorrecta, apague el horno y desconecte el suministro de corriente. Solicite el servicio de un técnico calificado.
- No limpie la junta de la puerta. La junta de la puerta es esencial para un buen sellado. Se debe tener cuidado de no frotar, dañar ni mover la junta.
- No use limpiadores para horno. No se deberá usar limpiadores comerciales para horno ni revestimientos de protección para hornos de ningún tipo en o alrededor de cualquier parte del horno.

El equipo de acceso remoto instalado en este horno fue probado y cumple con los límites establecidos para un dispositivo digital de clase B, según la parte 15 de la Normativa de la FCC. Estos límites fueron diseñados para:

(a) brindar una protección razonable contra interferencias nocivas en una instalación residencial. Este equipo genera, usa y puede emitir energía de radiofrecuencia y, si no se instala y utiliza de acuerdo con las instrucciones, puede ocasionar interferencias perjudiciales en las comunicaciones de radio. Sin embargo, no se garantiza que no se presenten interferencias en una instalación en particular. Si el equipo provoca interferencias perjudiciales para la recepción de radio o televisión, lo cual puede comprobar encendiendo y apagando el equipo, se aconseja al usuario que intente corregir la interferencia con una de las siguientes medidas:

- Reoriente o reubique la antena receptora.
- Aumente la separación entre el equipo y el receptor.
- Conecte el equipo a un tomacorriente de un circuito diferente del tomacorriente al que se encuentra conectado el receptor.
- Para solicitar ayuda, consulte con el proveedor minorista o a un técnico experimentado de radio/ TV.

(b) tolerar cualquier interferencia recibida, incluyendo las interferencias que puedan provocar un funcionamiento no deseado del dispositivo.

Observe que todos los cambios o modificaciones sobre el dispositivo de comunicación inalámbrico instalado en este horno que no estén expresamente aprobados por el fabricante podrían anular la autoridad del usuario para operar el equipamiento.

Cómo Retirar la Película Protectora de Envío y la Cinta de Embalaje

Con cuidado tome un extremo de la película protectora de envío con los dedos y lentamente retire la misma de la superficie del electrodoméstico. No utilice ningún producto filoso para retirar la película. Retire toda la película antes de usar el electrodoméstico por primera vez.

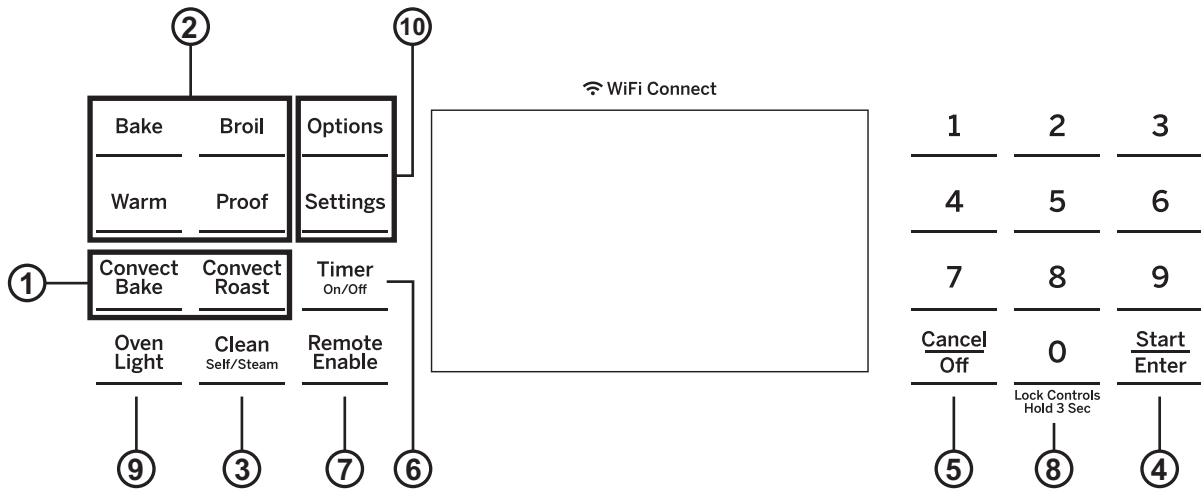
Para asegurar que no haya daños sobre el acabado del producto, la forma más segura de retirar el adhesivo de la cinta de embalaje en electrodomésticos nuevos es aplicando un detergente líquido hogareño para lavar platos. Aplique con una tela suave y deje que se seque.

NOTA: El adhesivo deberá ser eliminado de todas las partes. No se puede retirar si se hornea con éste dentro.

LEA Y GUARDE ESTAS INSTRUCCIONES

Controles del Horno de Pared Simple

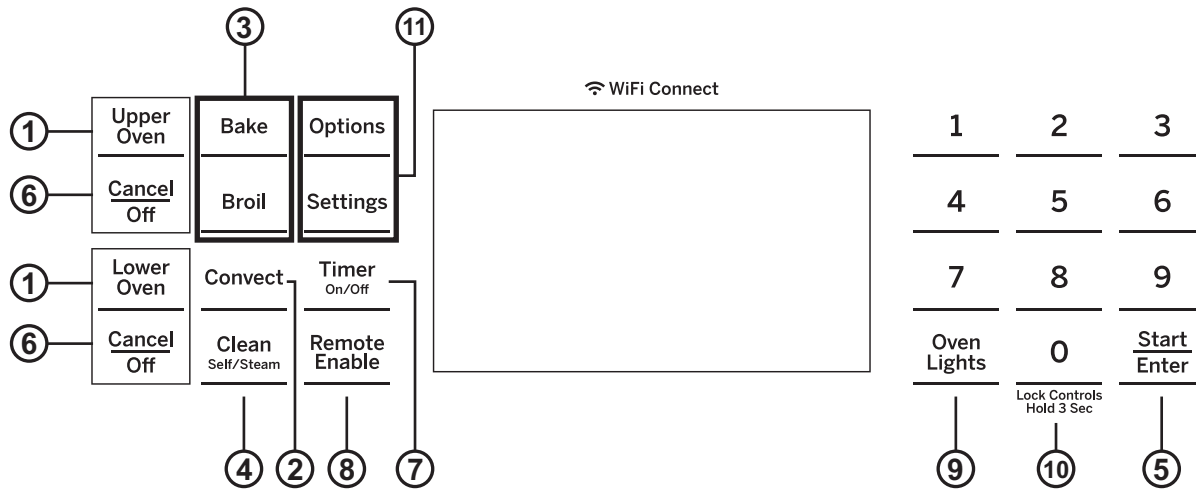
Las formas del botón de control son representativas; su horno puede contar con formas de botones alternativos. Los botones de control fueron diseñados para estar visibles cuando la puerta del horno es abierta o si los controles son presionados dentro del área de un botón.



- 1. Convection Cooking Modes (Modos de Cocción por Convección):** Los modos de cocción por convección utilizan una circulación de aire incrementada para mejorar el rendimiento. El tipo de beneficio depende del modo. Su horno cuenta con los siguientes modos de cocción por convección: Convection Bake (Hornear por convección) y Convection Roast (Asar por convección). Para más información, consulte la sección de Modos de Cocción.
- 2. Traditional Cooking Modes (Modos de Cocción Tradicionales):** Su horno cuenta con los siguientes modos de cocción tradicionales: Bake (Hornear), Broil (Asar), Proof (Leudar) y Warm (Calentar). Para más información, consulte la sección de Modos de Cocción.
- 3. Clean (Limpieza):** El horno cuenta con dos modos de limpieza: Self Clean (Limpieza Automática) y Steam Clean (Limpieza con Vapor). Para acceder a información importante sobre el uso de estos modos, consulte la sección de Limpieza del Horno.
- 4. Start/Enter (Iniciar/ Ingresar):** Se deberá presionar para comenzar cualquier función de cocción, limpieza o por tiempo. **NOTA:** Si la pantalla y las teclas se atenúan, abrir la puerta del horno o presionar cualquier tecla activarán e iluminarán el control.
- 5. Cancel/Off (Cancelar/ Apagar):** Cancelar TODAS las operaciones del horno excepto el reloj y el temporizador.
- 6. Timer (Temporizador):** Funciona como un temporizador con cuenta regresiva. Presione la tecla **Timer (Temporizador)** y utilice las teclas numéricas para programar el tiempo en horas y minutos. Presione la tecla **Start/Enter (Iniciar/ Ingresar)**. El horno continuará funcionando cuando la cuenta regresiva del temporizador se haya completado. Para apagar el temporizador, presione la tecla **Timer (Temporizador)**.
- 7. Remote Enable (Acceso Remoto) (en algunos modelos):** Le permite controlar el horno de forma remota. El horno deberá estar conectado a la red WiFi antes de que Remote Enable (Acceso Remoto) sea activado. Para acceder a instrucciones sobre cómo conectar el horno, consulte la sección WiFi Connect/ Remote Enable (WiFi Connect/ Conexión Remota), en la sección de Configuraciones de este manual.
- 8. Lock Controls (Controles de Bloqueo):** Bloquean el control de modo que al presionar las teclas no se activen los controles. Mantenga presionada la tecla **0** durante tres segundos para bloquear o desbloquear el control. La función **Cancel/Off (Cancelar/ Apagar)** siempre está activa, incluso cuando el control está bloqueado.
- 9. Oven Light (Luz del Horno):** Enciende o apaga la luz(es) del horno.
- 10. Options (Opciones) y Settings (Configuraciones):** Las teclas Options (Opciones) y Settings (Configuraciones) abren menús más detallados en la pantalla, los cuales permiten acceso a funciones adicionales y modos de cocción. Para cada uno, seleccione la función en la pantalla a través de la tecla numérica asociada. Puede salir en cualquier momento presionando la tecla **Options (Opciones)** o **Settings (Configuraciones)** nuevamente. Para más detalles, consulte las secciones de Configuraciones, Opciones y Modos de Cocción.

Controles del Horno de Pared Doble

Las formas del botón de control son representativas; su horno puede contar con formas de botones alternativos. Los botones de control fueron diseñados para estar visibles cuando la puerta del horno es abierta o si los controles son presionados dentro del área de un botón.



1. Upper Oven and Lower Oven (Horno Superior y Horno Inferior): Designa qué horno operarán los controles. Seleccione un horno antes de seguir los pasos para comenzar con una cocción o con el modo de limpieza.

2. Convection Cooking Modes (Modos de Cocción por Convección) (sólo el horno Superior): Los modos de cocción por convección utilizan una circulación de aire incrementada para mejorar el rendimiento. Para más información, consulte la sección de Modos de Cocción.

3. Traditional Cooking Modes (Modos de Cocción Tradicionales): Su horno cuenta con los siguientes modos de cocción tradicionales: Bake (Hornear), Broil (Asar), and Warm (Calentar). información, consulte la sección de Modos de Cocción.

4. Clean (Limpieza): El horno podrá contar con dos modos de limpieza: Self Clean (Limpieza Automática) y Steam Clean (Limpieza al Vapor). Para acceder a información importante sobre el uso de estos modos, consulte la sección de Limpieza del Horno.

5. Start/Enter (Iniciar/ Ingresar): Se deberá presionar para comenzar cualquier función de cocción, limpieza o por tiempo. **NOTA:** Si la pantalla y las teclas se atenúan, abrir la puerta del horno o presionar cualquier tecla activarán e iluminarán el control.

6. Cancel/Off (Cancelar/ Apagar): Cancelar TODAS las operaciones del horno excepto el reloj y el temporizador.

7. Timer (Temporizador): Funciona como un temporizador con cuenta regresiva. Presione la tecla **Timer (Temporizador)** y utilice las teclas numéricas para programar el tiempo en horas y minutos. Presione la tecla **Start/Enter (Iniciar/ Ingresar)**. El horno continuará funcionando cuando la cuenta regresiva del temporizador se haya completado. Para apagar el temporizador, presione la tecla **Timer (Temporizador)**.

8. Remote Enable (Acceso Remoto) (en algunos modelos): Le permite controlar el horno de forma remota. El horno deberá estar conectado a la red WiFi antes de que Remote Enable (Acceso Remoto) sea activado. Para acceder a instrucciones sobre cómo conectar el horno, consulte la sección WiFi Connect/ Remote Enable (WiFi Connect/ Conexión Remota), en la sección de Configuraciones de este manual.

9. Oven Light(s) (Luz(es) del Horno): Enciende o apaga la luz(es) del horno. Si el control de su horno no cuenta con la tecla táctil Oven Light (Luz del Horno), una perilla encenderá la luz del horno.

10. Lock Controls (Controles de Bloqueo): Bloquean el control de modo que al presionar las teclas no se activen los controles. Mantenga presionada la tecla **0** durante tres segundos para bloquear o desbloquear el control. La función **Cancel/Off (Cancelar/ Apagar)** siempre está activa, incluso cuando el control está bloqueado.

11. Options and Settings (Opciones y Configuraciones): Las teclas Options (Opciones) y Settings (Configuraciones) abren menús más detallados en la pantalla, los cuales permiten acceso a funciones adicionales y modos de cocción. Para cada uno, seleccione la función en la pantalla a través de la tecla numérica asociada. Puede salir en cualquier momento presionando la tecla Options (Opciones) o Settings (Configuraciones) nuevamente. Para más detalles, consulte las secciones de Configuraciones, Opciones y Modos de Cocción.

Options (Opciones)

La tecla de opciones abre un menú con más modos de cocción cuando el horno está apagado. Abre un menú con funciones adicionales si un modo de cocción ya está en proceso. Puede salir del menú en cualquier momento presionando la tecla **Options (Opciones)** nuevamente.

Primero deberá seleccionar un modo (hornear, hornear por convección, dorar por convección) y luego seleccionar Options (Opciones) para acceder a las siguientes funciones.

Cook Time (Tiempo de Cocción)

Cuenta el tiempo de cocción y apaga el horno cuando el tiempo de cocción está completo. Inicie el modo para hornear o calentar, pero no presione **Start (Iniciar)**. Presione la tecla **Options (Opciones)**, siga las instrucciones en pantalla y use las teclas numéricas para programar un tiempo de cocción en horas y minutos, y luego presione **Start (Iniciar)**.

Delay Time (Tiempo de Retraso)

Genera un retraso cuando el horno es encendido. Use esta tecla para configurar el momento en que desee que el horno se inicie. Seleccione un modo de cocción deseado. Use la tecla numérica para programar una temperatura de horneado. Presione la tecla **Options (Opciones)** y seleccione **Delay Time (Tiempo de Retraso)**. Use las teclas numéricas para programar la hora del día en que desee que el horno se encienda, y luego presione **Start/Enter (Iniciar/ Ingresar)**. Si lo desea, con los modos de cocción también se podrá programar un tiempo de cocción. Siga las instrucciones de Cook Time (Tiempo de Cocción) para configurar esta función. La función Delay (Retraso) no está disponible en todos los modos.

NOTA: Al usar la función Delay Time (Tiempo de Retraso), las comidas que se echan a perder rápidamente, tales como leche, huevo, pescado, rellenos, ave y cerdo, no se deberán dejar reposar por más de 1 hora antes y después de la cocción. La temperatura ambiente estimula el desarrollo de bacterias nocivas. Asegúrese de que la luz del horno esté apagada, ya que el calor de la lámpara acelerará el crecimiento de bacterias nocivas.

Oven Probe (Sonda del Horno) (superior sólo en modelos de horno doble)

NOTA: Sólo accesible a través de los modos de cocción tradicional y por convección.

Monitorea la temperatura interna de la comida y apaga el horno cuando la comida alcanza la temperatura programada. Inserte la sonda, presione el modo de cocción deseado, y programe la temperatura de la sonda. Para más información, consulte la sección de Modos de Cocción. La sonda sólo puede ser usada con las funciones Bake (Hornear), Convection Bake (Hornear por Convección) y Convection Roast (Dorar por Convección).

Settings (Configuraciones)

Las teclas Options (Opciones) y Settings (Configuraciones) abren menús más detallados en la pantalla, los cuales permiten acceso a funciones adicionales. Para cada uno, seleccione la función en la pantalla a través de la tecla numérica asociada. Puede salir en cualquier momento presionando la tecla **Options (Opciones)** o **Settings (Configuraciones)** nuevamente.

Conexión WiFi y Acceso Remoto

Su horno de está diseñado para brindarle una comunicación recíproca entre su electrodoméstico y dispositivos inteligentes. Mediante el uso de las funciones WiFi Connect, usted podrá controlar funciones esenciales de su horno tales como las configuraciones de temperatura, temporizadores y modos de cocción, utilizando su teléfono inteligente o tableta*.

Seleccione **Settings (Configuraciones)**, luego **WiFi** y luego siga las instrucciones de la aplicación de su teléfono. Es necesario activar la función WiFi antes de usar Remote Enable (Acceso Remoto) en su horno.

Conexión de su Horno con Opción de WiFi Connect

Qué necesitará

Su horno de GE Appliances utiliza su red de WiFi hogareña existente para realizar la comunicación entre el electrodoméstico y su dispositivo inteligente. A fin de configurar su horno de GE Appliances, usted necesitará reunir cierta información:

1. Necesitará conocer el Nombre y la Contraseña de la Red del Electrodoméstico para poder conectar el mismo. Seleccione **Settings (Configuraciones)** y luego **WiFi** para mostrar el SSID y la CONTRASEÑA en su control.
2. Su teléfono inteligente o tableta deben estar preparados con la capacidad de acceder a Internet y descargar aplicaciones.
3. Usted deberá conocer la contraseña del enrutador WiFi de su hogar. Tenga esta contraseña a mano al configurar el horno de GE Appliances.





Conexión de su horno de GE Appliances


1. A través de su teléfono inteligente o tableta, visite **GEAppliances.com/connect** para aprender más sobre las funciones del electrodoméstico conectado y para descargar la aplicación correspondiente.
2. Siga las instrucciones en pantalla de la aplicación para conectar su horno de GE Appliances.
3. Una vez que el proceso se haya completado, la luz de conexión ubicada en la pantalla de su horno GE Appliances, permanecerá en sólido y la aplicación confirmará que usted está conectado.
4. Si la luz de conexión no se enciende o está titilando, siga las instrucciones en la aplicación para volver a realizar la conexión. Si los problemas continúan, comuníquese al Connected Call Center (Centro de Conexión de Llamadas) al 1.866.626.2000 y solicite asistencia en relación a la conectividad inalámbrica del horno.

Para conectar dispositivos inteligentes adicionales, realice la desconexión de la red WiFi y el primer dispositivo, luego vuelva a realizar la conexión a la red WiFi y repita los pasos 1 y 2. La unidad sólo podrá ser conectada a un dispositivo por vez.

Observe que todos los cambios o modificaciones al dispositivo de acceso remoto instalado en este horno que no están expresamente aprobados por el fabricante podrían anular la autoridad del usuario para operar el equipamiento.

INICIO DEL HORNO EN FORMA REMOTA

Para poder iniciar el horno en forma remota una vez conectado a WiFi, presione la tecla **Remote Enable (Acceso Remoto)** y el ícono  se encenderá en la pantalla. El horno puede ser iniciado ahora de forma remota con un dispositivo conectado. El ícono  deberá estar iluminado para iniciar el horno de forma remota. No se requiere el ícono  para modificar la temperatura del horno mientras esté funcionando, configurar un temporizador o apagar el horno desde la aplicación del teléfono mientras el ícono  muestre que está Conectado a WiFi.

Para desconectar su teléfono de Remote Enable (Acceso Remoto Activado), presione la tecla **Remote Enable (Acceso Remoto Activado)** y el ícono  se apagará.

NOTA: Las comidas que se echan a perder rápidamente, tales como leche, huevos, pescado, rellenos, ave y cerdo, no se deberán dejar reposar por más de 1 hora antes y después de la cocción. La temperatura ambiente estimula el desarrollo de bacterias nocivas. Asegúrese de que la luz del horno esté apagada, ya que el calor de la lámpara acelerará el crecimiento de bacterias nocivas.

* Se requiere el uso de dispositivos y de una red WiFi hogareña que sean compatibles con Apple o Android.

Settings (Configuraciones) (Cont.)

Clock (Reloj)

Esta configuración ajusta el tiempo del reloj del horno. Presione la tecla **Settings (Configuraciones)** y seleccione **Clock (Reloj)**. Seleccione **Set Clock (Configurar Reloj)** y siga las instrucciones para configurar el reloj. Esta función también especifica cómo se mostrará la hora del día. Puede seleccionar el reloj con hora estándar de 12 horas (12 H), la hora militar de 24 horas (24 H), o que no se exhiba ningún reloj (Off) (Apagado). Presione la tecla **Settings (Configuraciones)**, seleccione **Set Clock (Configurar Reloj)** y seleccione la opción **12/24** u **On/Off (Encender/ Apagar)**.

Auto Conv (Conversión Automática)

Al usar las opciones de cocción Convection Bake (Hornear por Convección), Auto Recipe Conversion (Conversión de Receta Automática) convertirá de forma automática las temperaturas de horneado regular ingresadas a temperaturas de cocción de horneado por convección cuando se active. Se debe observar que esta opción no convierte los tiempos de cocción del horneado por convección, sino sólo las temperaturas. Esta función podrá ser encendida o apagada. Seleccione **Settings (Configuraciones)** y **Auto Conversion (Conversión Automática)**, y luego siga las indicaciones para activar o desactivar esta función.

Auto Off (Apagado Automático)

Esta función apaga el horno luego de 12 horas de funcionamiento continuo. Podrá estar activada o desactivada. Seleccione **Settings (Configuraciones)** y **Auto Off (Apagado Automática)** para activar o desactivar esta función.

Sound (Sonido)

Podrá ajustar el volumen y el tipo de alerta que su dispositivo utilice. Seleccione **Settings (Configuraciones)** y **Sound (Sonido)**. Siga las instrucciones para realizar ajustes de volumen o para cambiar entre tonos de alerta continuos o simples. Una configuración continua seguirá haciendo que un tono suene hasta que un botón del control sea presionado. El volumen del tono del horno podrá ser ajustado. El control hará que el tono del horno suene en el nuevo nivel de volumen cada vez que el nivel de sonido sea modificado.

F/C (Fahrenheit o Celsius)

El control del horno está configurado para su uso con temperaturas Fahrenheit (F), pero puede ser modificado a temperaturas Celsius (C). Seleccione **Settings (Configuraciones)** y **F/C** para alternar entre las escalas de temperatura exhibidas.

Adjust the Oven temperature (Ajuste de la Temperatura del Horno)

Esta función permite que la temperatura de horneado del horno y de horneado por convección sean ajustadas hasta 35°F más caliente o 35°F más fría. Use esta función si considera que la temperatura de su horno está demasiado caliente o demasiado fría y desea modificarla. Este ajuste afecta los modos Bake (Hornear) y Convection Bake (Hornear por Convección). Ningún otro modo de cocción se ve afectado. Seleccione **Settings (Configuraciones)** y **Oven Adjust (Ajuste del Horno)** para agregar **More Heat (Más Calor)** o **Less Heat (Menos Calor)** y luego presione **Save (Guardar)** (para hornos dobles, use la selección del menú de Upper Oven (Horno Superior) o Lower Oven (Horno Inferior), correspondiente al horno que será configurado). No use termómetros, tales como los que se encuentran en tiendas, para controlar la configuración de temperatura del horno. Estos termómetros pueden variar entre 20 y 40 grados.

Oven Info (Información del Horno)

Seleccione **Settings (Configuraciones)** y **Oven Info (Información del Horno)** para mostrar el Número de Modelo y la Versión del Software.

Modo Sabático

El modo sabático desactiva las luces del horno (la luz del horno no se encenderá cuando la puerta sea abierta), todos los sonidos (el control no emitirá un pitido cuando se presione un botón), los modos de Convección, los modos de Asado, Calentar, Leudar, Tiempo de Cocción, Temporizador, Reloj, y las funciones de Tiempo Retrasado. El modo sabático sólo puede ser usado con la función Bake (Hornear). Esta función se activa conforme con los requisitos Sabáticos Judíos de la Estrella K.

Para usar el modo Sabbath (Sabático), presione **Settings (Configuraciones)**, seleccione **Sabbath (Sabático)** y luego seleccione **Turn Sabbath On (Activar Modo Sabático)**. Aparecerá una] en la pantalla y el reloj no será exhibido. Observe que si cuenta con un horno de pared doble, al colocar el control en el modo Sabático, ambos hornos están ahora en el modo sabático y están disponibles para la cocción. Una vez en el modo Sabbath (Sabático), en cualquier momento puede presionar **Bake (Hornear)**; use las teclas numéricas para ingresar una temperatura entre 170°F y 550°F, y presione **Start (Iniciar)**. No se emitirá ningún sonido cuando las teclas sean presionadas. En un momento al azar entre los 30 segundos y 1 minuto,][, aparecerá en la pantalla indicando que el horno está en funcionamiento.

Observe que ambos hornos de un horno de pared doble pueden ser usados en el modo sabático. Cada horno puede ser programado en una temperatura diferente y cada horno debe ser programado por separado.

Si necesita ajustar la temperatura, presione **Bake (Hornear)**, use las teclas numéricas para ingresar una nueva temperatura entre 170° F y 550° F, y presione **Start (Iniciar)**.

Para apagar el horno, presione **Cancel/Off (Cancelar/ Apagar)** en cualquier momento. **El horno se apagará inmediatamente** y el ícono,][cambiará a], indicando que el horno fue apagado.

Observe que cada horno de un horno de pared doble se deberá apagar por separado.

Para salir del modo sabático, asegúrese de que el horno esté apagado. Mantenga presionada la tecla **Settings (Configuraciones)** para desactivar el modo Sabbath (Sabático).

NOTA: Si se produce un corte de corriente durante el modo Sabático, la unidad permanecerá en el modo Sabático pero apagada cuando vuelva la corriente.

Si desea usar la función Cook Time (Tiempo de Cocción) para hornear en el horno y luego hacer que éste se apague de forma automática, deberá presionar el botón **Cook Time (Tiempo de Cocción)**, ingresar una duración del tiempo de cocción, y presionar **Start (Iniciar)**. Luego ingrese a las funciones especiales para iniciar el modo Sabbath (Sabático), como se detalla más arriba.

Estantes del Horno

El horno cuenta con seis posiciones de estantes. En la Guía de Cocción, se brindan recomendaciones de posiciones de los estantes para diferentes tipos de comidas. Se ajusta un estante en una dirección para afectar los resultados de cocción. Por ejemplo, si se prefieren partes superiores más oscuras en tartas, panecillos o galletas, pruebe moviendo la comida a un estante que se encuentre una posición más arriba. Si encuentra que las comidas están demasiado doradas en la parte superior, pruebe moviendo las mismas más abajo la próxima vez.

Al hornear con múltiples ollas y en múltiples estantes, asegúrese de que haya suficiente espacio entre las ollas para que fluya el aire.

Es posible que su horno cuenta con estantes extensibles y/o estantes planos tradicionales.

Para evitar posibles quemaduras, coloque los estantes en la posición deseada antes de encender el horno.

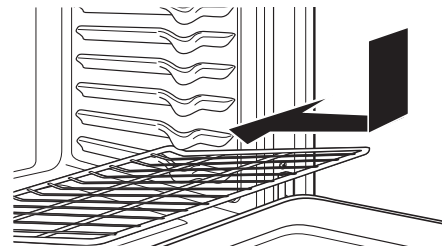
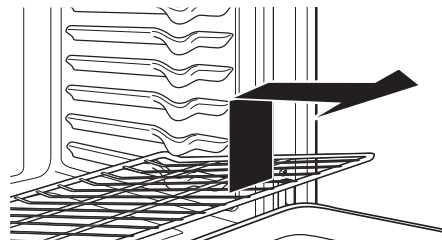
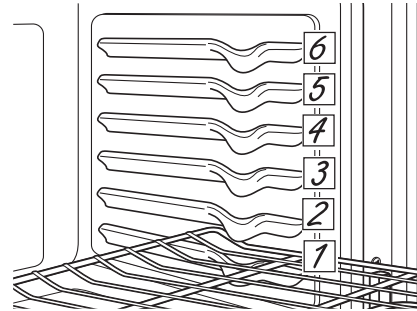
Estantes Planos Tradicionales

Al colocar y retirar utensilios de cocina, empuje el estante hacia afuera del tope (posición de detención) sobre el soporte del estante.

Para retirar el estante, empuje el mismo hacia usted, incline el extremo frontal hacia arriba y empuje hacia afuera.

Para hacer un reemplazo, coloque el extremo curvo del estante (bloqueadores) en los soportes del horno, incline hacia arriba el frente y empuje el estante hacia adentro.

Es posible que resulte difícil deslizar los estantes, especialmente luego de la limpieza automática. Coloque aceite vegetal en una tela húmeda o toalla de papel y frote sobre los extremos izquierdo y derecho de los estantes.



Estantes del Horno (Cont.)

Estantes Extensibles

Siempre empuje hacia afuera el estante desde el riel frontal superior hasta la posición de detención en su máxima extensión, al colocar o retirar utensilios. Los estantes extensibles no podrán ser usados en la posición del estante superior.

Si resulta difícil extender estos estantes, lubrique los mismos con lubricante de grafito, provisto con el horno. Retire el estante del horno, retire cualquier obstrucción en el recorrido deslizable con una toalla de papel, agite el lubricante de grafito y coloque 4 gotitas en los dos recorridos inferiores de los lados izquierdo y derecho. Abra y cierre el estante varias veces para distribuir el lubricante.

Para ordenar un lubricante de grafito adicional, lea la sección de Accesorios de este manual.

Para Retirar un Estante Extensible:

1. Asegúrese de introducir la parrilla hasta el fondo del horno, de modo que las paletas laterales del armazón de la parrilla se desenganchen de la cavidad.
2. Deslice la parrilla hacia usted hasta que llegue al tope (posición detenida) del soporte de la parrilla.
3. Tome de manera firme ambos lados de la estructura del estante y deslizando este último, incline el extremo del frente hacia arriba y empuje hacia fuera.

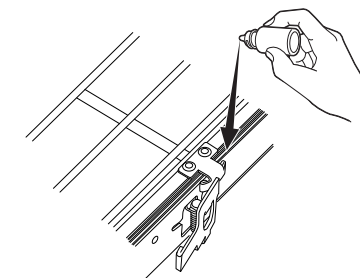
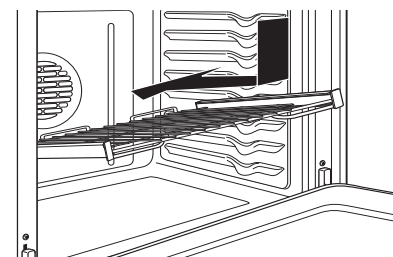
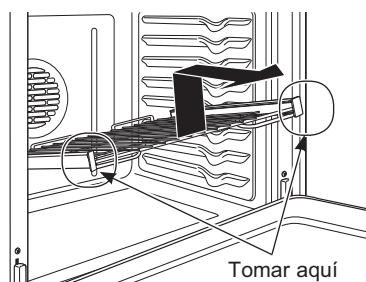
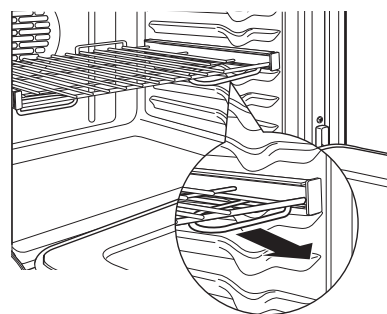
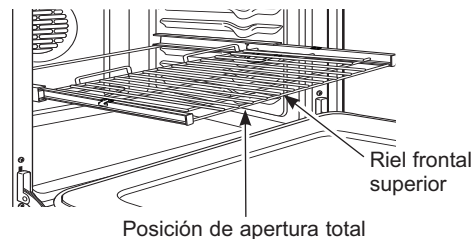
Para Reemplazar un Estante Extensible:

1. Tome firmemente ambos lados del armazón de la parrilla y la parrilla deslizable.
2. Coloque el extremo curvo del estante en la posición deseada, incline el frente hacia arriba y presione la parrilla hacia adentro.

Si resulta difícil reemplazar o retirar los estantes extensibles, limpie los soportes de los estantes del horno con aceite de cocina. No quite el aceite de cocina del espacio de deslizamiento.

Para lubricar la paleta:

Agite el lubricante y aplique el mismo a las partes móviles de los mecanismos de las paletas como se muestra.



Papel de Aluminio y Cobertores del Horno

⚠ PRECAUCIÓN

No use ningún tipo de aluminio o cobertor de horno para cubrir el fondo del horno. Estos ítems pueden atrapar el calor o derretirse, ocasionando daños sobre el producto y el riesgo de descargas, humo o incendios. Los daños por uso inadecuado de estos ítems no están cubiertos por la garantía del producto.

Se podrá usar aluminio para evitar derrames, colocando una hoja sobre un estante inferior varias pulgadas debajo de la comida. No use más aluminio que el necesario y nunca cubra totalmente el estante de un horno con papel de aluminio. Mantenga el aluminio a por lo menos 1 1/2" de las paredes del horno, para evitar una circulación deficiente del calor.

Utensilios

Pautas de Uso de Utensilios

El material, el acabado y el tamaño de los utensilios afectan el horneado.

Las ollas oscuras, revestidas y opacas absorben el calor más rápidamente que las ollas claras y brillantes. Al usar ollas que absorben el calor más rápidamente, las comidas podrán resultar más doradas, crocantes y con una capa más gruesa.

Si utiliza utensilios oscuros y revestidos, controle la comida antes del tiempo mínimo de cocción. Si se obtienen resultados no deseados con este tipo de utensilios, considere la posibilidad de reducir la temperatura del horno en 25° F la próxima vez.

Las ollas brillantes pueden producir resultados de horneado más parejos en tortas y galletas.

Las ollas de vidrio y cerámica calientan con lentitud, pero retienen bien el calor.

Estos tipos de ollas funcionan bien con platos tales como tartas y postres con natilla.

Las ollas con aislante de aire calientan lentamente y pueden producir fondos dorados.

Mantenga los utensilios limpios para una cocción más pareja.

Modos de Cocción

Su nuevo horno posee una variedad de modos de cocción para que pueda obtener los mejores resultados. Estos modos se describen a continuación. Para acceder a recomendaciones para comidas específicas, consulte la sección de la Guía de Cocción. Recuerde que es posible que su nuevo horno funcione de manera diferente que aquel que está reemplazando.

Modos de Horneado y Dorado

Seleccione un modo para hornear y dorar basado en el tipo y cantidad de comida que está preparando. Al preparar comidas horneadas tales como tartas, galletas y masas, siempre precaliente el horno primero. Siga las recomendaciones de la receta sobre la colocación de la comida. Si no se brindan pautas, centre la comida en el horno.

Horneado Tradicional

El modo de horneado tradicional está pensado para la cocción en un solo estante. Este modo usa el calor principalmente desde el elemento inferior, pero también desde el elemento superior para cocinar la comida. Para usar este modo, presione la tecla **Bake (Hornear)**, ingrese una temperatura, y luego presione **Start (Iniciar)**. El precalentamiento generalmente se recomienda al usar este modo.

Horneado por Convección (superior sólo en modelos de horno doble)

El modo Convection Bake (Horneado por Convección) está pensado para hornear en múltiples estantes al mismo tiempo. Este modo utiliza el calor principalmente desde el elemento trasero, pero también calienta desde los elementos superior e inferior, junto con el movimiento de aire desde el ventilador por convección para mejorar una cocción pareja. El horno está equipado con la función Auto Recipe Conversion (Conversión de Receta Automática); de modo que no es necesario convertir la temperatura al usar este modo. Es posible que el tiempo de horneado sea un poco más prolongado con estantes múltiples, en comparación con lo que se espera con un solo estante. Para usar este modo, presione la tecla **Convection (Convección)**, luego seleccione **Convection Bake (Horneado por Convección)**, ingrese una temperatura, y luego presione **Start (Iniciar)**. Siempre realice el precalentamiento al usar este modo.

Dorar por Convección (superior sólo en modelos de horno doble)

El modo Convection Roast (Dorado por Convección) está pensado para dorar cortes enteros de carne en un solo estante. Este modo utiliza el calor de los elementos inferior, superior y trasero, junto con el movimiento del ventilador por convección, a fin de mejorar el dorado y reducir el tiempo de cocción. No es necesario convertir la temperatura. Cuando use este modo, o si usa la sonda, controle la comida antes que el tiempo sugerido en la receta. Para usar este modo, presione la tecla **Convection (Convección)**, luego seleccione **Convection Roast (Asado por Convección)**, ingrese una temperatura, y luego presione **Start (Iniciar)**. No es necesario realizar el precalentamiento al usar este modo.

Modo para Asar

Siempre ase con la puerta cerrada. El elemento para asar en el horno es muy potente. Monitoree la comida de cerca al asar. Tenga cuidado al asar en posiciones de estantes superiores, ya que colocar la comida más cerca del elemento para asar incrementa el humo, salpicaduras y la posibilidad de que se incendien las grasas. **No se recomienda asar en el estante de la posición 6, en cavidades simples e inferiores.**

Intente asar las comidas que normalmente haría a la parrilla. Ajuste las posiciones de los estantes para ajustar la intensidad del calor a la comida. Coloque las comidas más cerca del elemento para asar, cuando se desee una superficie más cocinada y un interior poco cocido. Las comidas más gruesas y las comidas cuyo interior debe ser cocinado deberían ser asadas en un estante en una posición alejada del usado para asar, o usando las funciones Broil Lo (Asar Bajo).

Asar Alto

El modo Broil Hi (Asar Alto) usa calor intenso del elemento superior para soasar las comidas. Use la función Broil Hi (Asado Alto) para cortes más delgados de carne y/o comidas que prefiera que quedan menos cocinadas en su interior. Para usar este modo, presione la tecla **Broil (Asar)**, luego seleccione **Hi Broil (Asado Alto)** y luego presione **Start (Iniciar)**. No es necesario realizar el precalentamiento al usar este modo.

Asar Bajo

El modo Broil Lo (Asar Bajo) usa menos calor intenso del elemento superior para cocinar la comida completamente mientras también se realiza el dorado superficial. Use la función Broil Lo (Asado Bajo) para cortes de carne más gruesos y/o comidas que desee que queden completamente cocinadas. Para usar este modo, presione la tecla **Broil (Asar)**, luego seleccione **Lo Broil (Asado Bajo)** y luego presione **Start (Iniciar)**. No es necesario realizar el precalentamiento al usar este modo.

Leudar

El modo Proof (Leudar) está diseñado para elevar (fermentar y leudar) masas de pan. En algunos modelos, se podrá encontrar Proof (Leudar) seleccionando **Options (Opciones)**. Presione **Proof (Leudar)** y luego presione **Start (Iniciar)**. Cubra bien la masa para evitar que se seque. El pan se elevará más rápidamente que a temperatura ambiente. Se deberá observar que con los hornos de pared doble, la función para leudar no se podrá activar cuando se esté usando un modo de limpieza en el horno inferior.

Calentar

El modo Warm (Calentar) está diseñado para mantener comidas calientes hasta durante 3 horas. En algunos modelos, se podrá encontrar Warm (Calentar) seleccionando **Options (Opciones)**. Presione **Warm (Calentar)** y luego presione **Start (Iniciar)**. Cubra las comidas que necesitan mantener la humedad y no cubra aquellas comidas que deberían quedar crocantes. No se requiere precalentar las mismas. No use la función Warm (Calentar) para calentar comida fría, excepto galletas crujientes, papas fritas o cereales secos. También se recomienda que la comida no se mantenga caliente por más de dos horas.

Probe (Sonda)

▲ADVERTENCIA El consumo de comida semicruda puede hacer que se contraigan enfermedades producidas por la comida. Use la sonda de acuerdo con las siguientes instrucciones, a fin de asegurar que todas las partes de la comida alcancen temperaturas de cocción mínimamente seguras. Puede encontrar recomendaciones de temperaturas de cocción mínimamente seguras en foodsafety.gov o en IsItDoneYet.gov.

La temperatura interna de la comida con frecuencia se usa como indicador de que está lista, especialmente al dorar o preparar carne de ave. El modo Probe (Sonda) monitorea la temperatura interna de la comida y apaga el horno cuando esta última alcanza la temperatura programada.

Controle siempre la temperatura en múltiples partes de la comida, utilizando un termómetro de comidas luego de realizar la cocción, a fin de asegurar que todas las partes de la misma hayan alcanzado una temperatura interna mínimamente segura en dicha comida.

Ubicación Correcta de la Sonda

Luego de preparar la comida y de colocarla en la olla, siga estas instrucciones para una ubicación correcta de la sonda.

- Inserte la sonda en la comida, de modo que la punta de la sonda se apoye en el centro de la parte más gruesa de la comida. Para un mejor rendimiento, la sonda debería ser completamente insertada en la comida. Si la sonda no es ubicada correctamente, es posible que no mida con precisión la temperatura de la parte más fría de la comida. Algunas comidas, particularmente las más pequeñas, no son adecuadas para la cocción con el uso de una sonda, debido a sus formas o tamaños.
- No debería tocar el hueso, la grasa ni el cartílago.
- Para cocinar un ave entera, inserte la sonda en la parte más gruesa de la pechuga.
- Para dorar sin huesos, inserte la sonda en el centro del dorado.
- Para cocinar jamón o cordero con huesos, inserte la sonda en el centro de la articulación o del músculo más bajo y largo.
- Para preparar cazuelas o platos tales como pastel de carne, inserte la sonda en el centro del plato.
- Para cocinar pescado, inserte la sonda justo arriba de la agalla en la zona más carnosa paralela a columna.

Uso de la Sonda

La sonda de temperatura sólo puede ser usada con las funciones Bake (Hornear), Convection Bake (Hornear por Convección) y Convection Roast (Dorar por Convección).

Para usar la sonda con precalentamiento:

1. Configure el modo de cocción deseado (**Hornear**, **Hornear por Convección**, o **Dorar por Convección**) e ingrese la temperatura de cocción deseada con las teclas numéricas.

2. Inserte la sonda en la comida (consulte sobre la Ubicación Correcta de la Sonda).
3. Una vez que el horno fue precalentado, coloque la comida en el mismo y conecte la sonda en su correspondiente tomacorriente, asegurándose de que esté completamente insertada. Tenga cuidado, ya que las paredes del horno y el tomacorriente de la sonda están calientes.
4. Cuando la sonda esté conectada, la pantalla le indicará que ingrese la temperatura deseada para la comida. La temperatura interna máxima de la comida que se puede configurar es 200° F..

Para usar la sonda sin precalentamiento:

1. Inserte la sonda en la comida (consulte sobre la Ubicación Correcta de la Sonda).
2. Coloque la comida en el horno y conecte la sonda en su correspondiente tomacorriente en el horno.
3. Presione la tecla del modo de cocción deseado (**Horneado Tradicional**, **Hornear por Convección**, o **Dorar por Convección**) e ingrese la temperatura de cocción deseada con las teclas numéricas. Presione **Options (Opciones)** y seleccione **Probe (Sonda)** y luego siga las instrucciones en pantalla para ingresar la temperatura deseada para la comida.

Pautas para el Cuidado de la Sonda

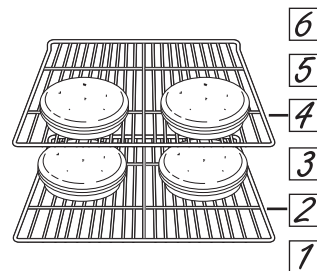
- Si se usa una sonda que no sea la provista con este producto, se podrán producir daños sobre la salida de la sonda.
- Use las manijas de la sonda al enchufar y desenchufar la misma, luego de insertar o de retirar la sonda de la carne o del tomacorriente.
- Para evitar daños sobre la sonda, no use agarraderas para empujar el cable al retirarlo.
- Para evitar romper la sonda, asegúrese de que la comida haya sido completamente descongelada antes de insertarla.
- Para evitar posibles quemaduras, no desenchufe la sonda del tomacorriente del horno hasta que este último se haya enfriado.
- Nunca deje la sonda dentro del horno durante un ciclo de limpieza automática o de limpieza con vapor.
- No guarde la sonda dentro del horno.

Guía de Cocción - Horno Inferior

TIPO DE COMIDA	MODO(S) RECOMENDADO(S)	POSICIÓN(ES) DE ESTANTES RECOMENDADA	SUGERENCIAS ADICIONALES
Productos Horneados			
Tortas con capas, tortas rectangulares, roscas, panecillos, pan rápido en un Solo Estante	Horneado Tradicional	3	Use utensilios brillantes.
Tortas con capas* en Múltiples Estantes	Horneado Tradicional	2 y 4	Asegúrese de que haya un flujo de aire adecuado (Vea la ilustración).
Tortas de grasa (pastel de ángel)	Horneado Tradicional	1	Use utensilios brillantes.
Galletas, galletitas, bizcochitos en un Solo Estante	Horneado Tradicional	3	Use utensilios brillantes.
Galletas, galletitas, bizcochitos en Múltiples Estantes	Horneado Tradicional	2 y 4	Con comidas tales como galletas con azúcar, cambie la ubicación de la comida parcialmente durante la cocción, a fin de lograr resultados de cocción más parejos entre los estantes.
Bife y Cerdo			
Hamburguesas	Asar Alto	5	Use una olla para asar; Mueva la comida hacia abajo para que quede más preparada y menos soasada. Preste atención a la comida al asarla. Para un mejor rendimiento, centre la comida debajo del elemento calentador para asar.
Bifes y Chuletas	Asar Alto	5	Use una olla para asar; Mueva la comida hacia abajo para que quede más preparada y menos soasada. Preste atención a la comida al asarla. Para un mejor rendimiento, centre la comida debajo del elemento calentador para asar.
Dorados	Horneado Tradicional	2	Deje sin cubrir, use una olla chata tal como una olla para asar. No se requiere precalentarla.
Ave			
Pollo entero	Horneado Tradicional	2	Use una olla chata tal como una olla para asar. No se requiere precalentarla.
Pechugas, patas, muslos con huesos	Asado Bajo Horneado Tradicional	3	Ase del lado de la piel hacia abajo primero. Preste atención a la comida al asarla. Para un mejor rendimiento, centre la comida debajo del elemento calentador para asar.
Pechugas de pollo deshuesadas	Asado Bajo Horneado Tradicional	3	Mueva la comida más abajo para que quede más preparada y menos soasada y más arriba para soasar/ dorar al asar. Para un mejor rendimiento, centre la comida debajo del elemento calentador para asar.
Pavo entero	Horneado Tradicional	1 o 2	Use una olla chata tal como una olla para asar. No se requiere precalentarla.
Pechuga de Pavo	Horneado Tradicional	2	Use una olla chata tal como una olla para asar. No se requiere precalentarla.
Pescado	Asado Bajo	5 (mitad del grosor o menos) 4 (>1/2 pulgada)	Preste atención a la comida al asarla. Para un mejor rendimiento, centre la comida debajo del elemento calentador para asar.
Cazuelas	Horneado Tradicional	3	
Comidas Congeladas a Conveniencia			
Productos con papa, patitas de pollo fritas, aperitivos en un Solo Estante	Horneado Tradicional	3	Use utensilios brillantes.
Productos con papa, patitas de pollo fritas, aperitivos en Múltiples Estantes	Horneado Tradicional	2 y 4	Use utensilios brillantes. Cambie la ubicación de la comida parcialmente durante la cocción, a fin de obtener resultados de cocción más parejos.

*Al hornear cuatro tortas con capas a la vez, use los estantes 2 y 4. Coloque las ollas como se muestra, de modo que no quede una olla encima de la otra.

Cocine la comida completamente para evitar que se produzcan enfermedades a partir de la comida. Puede encontrar recomendaciones sobre temperatura mínima para cocinar de forma segura en IsItDoneYet.gov. Asegúrese de usar un termómetro de comidas para medir la temperatura de las mismas.

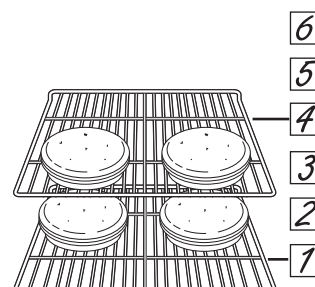


Guía de Cocción - Horno Superior/ Simple

TIPO DE COMIDA	MODO(S) RECOMENDADO(S)	POSICIÓN(ES) DE ESTANTES RECOMENDADA		SUGERENCIAS ADICIONALES
		27"	30"	
Productos Horneados				
Tortas con capas, tortas rectangulares, roscas, panecillos, pan rápido en un Solo Estante	Horneado Tradicional	2 ext. o 3 planos	3	Use utensilios brillantes.
Tortas con capas* en Múltiples Estantes	Horneado por Convección	1 ext. y 4 planos		Asegúrese de que haya un flujo de aire adecuado (Vea la ilustración).
Tortas de grasa (pastel de ángel)	Horneado Tradicional	1		Use utensilios brillantes.
Galletas, galletitas, bizcochitos en un Solo Estante	Horneado Tradicional	2 ext. o 3 planos	3	Use utensilios brillantes.
Galletas, galletitas, bizcochitos en Múltiples Estantes	Horneado por Convección	1 ext. and 4 planos		Asegúrese de que haya un flujo de aire adecuado.
Bife y Cerdo				
Hamburguesas	Asar Alto	5		Use una olla para asar; Mueva la comida hacia abajo para que quede más preparada y menos soasada. Preste atención a la comida al asarla. Para un mejor rendimiento, centre la comida debajo del elemento calentador para asar.
Bifes y Chuletas	Asar Alto	5		Use una olla para asar; Mueva la comida hacia abajo para que quede más preparada y menos soasada. Preste atención a la comida al asarla. Para un mejor rendimiento, centre la comida debajo del elemento calentador para asar.
Dorados	Horneado Tradicional Asado por Convección	2 ext. o 3 planos		Deje sin cubrir, use una olla chata tal como una olla para asar. No se requiere precalentarla.
Ave				
Pollo entero	Horneado Tradicional Asado por Convección	2 ext. o 3 planos		Use una olla chata tal como una olla para asar. No se requiere precalentarla.
Pechugas, patas, muslos con huesos	Asado Bajo Horneado Tradicional Asado por Convección	3 ext. 2 ext. o 3 planos 2 ext. o 3 planos	3	Ase del lado de la piel hacia abajo primero. Preste atención a la comida al asarla. Para un mejor rendimiento, centre la comida debajo del elemento calentador para asar.
Pechugas de pollo deshuesadas	Asado Bajo Horneado Tradicional Asado por Convección	3 ext. 2 ext. o 3 planos 2 ext. o 3 planos	3	Mueva la comida más abajo para que quede más preparada y menos soasada y más arriba para soasar/dorar al asar. Para un mejor rendimiento, centre la comida debajo del elemento calentador para asar.
Pavo entero	Horneado Tradicional Asado por Convección	1 o 2		Use una olla chata tal como una olla para asar. No se requiere precalentarla.
Pechuga de Pavo	Horneado Tradicional Asado por Convección	2 ext. o 3 planos		Use una olla chata tal como una olla para asar. No se requiere precalentarla.
Pescado	Asado Bajo	5 (mitad del grosor o menos) 4 (>1/2 pulgada)		Preste atención a la comida al asarla. Para un mejor rendimiento, centre la comida debajo del elemento calentador para asar.
Cazuelas	Horneado Tradicional	2 ext. o 3 planos	3	
Comidas Congeladas a Conveniencia				
Pizza en un estante simple	Horneado Tradicional	2 ext. o 3 planos	3	Use utensilios brillantes.
Pizza en estantes múltiples	Horneado por Convección	1 ext. o 4 planos		Use utensilios brillantes.
Productos con papa, patitas de pollo fritas, aperitivos en un Solo Estante	Horneado Tradicional	2 ext. o 3 planos	3	Use utensilios brillantes.
Productos con papa, patitas de pollo fritas, aperitivos en Múltiples Estantes	Horneado por Convección	1 ext. o 4 planos		Use utensilios brillantes. Cambie la ubicación de la comida parcialmente durante la cocción, a fin de obtener resultados de cocción más parejos.

*Al hornear cuatro tortas con capas a la vez, use los estantes 1 y 4. Coloque las ollas como se muestra, de modo que no quede una olla encima de la otra.

Cocine la comida completamente para evitar que se produzcan enfermedades a partir de la comida. Puede encontrar recomendaciones sobre temperatura mínima para cocinar de forma segura en IsItDoneYet.gov. Asegúrese de usar un termómetro de comidas para medir la temperatura de las mismas.



Horno

Asegúrese de que la corriente eléctrica esté apagada y que todas las superficies estén frías antes de limpiar cualquier parte del horno.

Panel de Control

Una buena idea es limpiar el panel de control luego de cada uso. Limpie con un jabón suave y agua o vinagre y agua, enjuague con agua limpia y pule en seco con una tela suave.

No use limpiadores abrasivos, limpiadores líquidos fuertes, almohadillas para fregar de plástico ni limpiadores de horno en el panel de control; dañarán el acabado.

Exterior del Horno

No use limpiadores de horno, limpiadores abrasivos, limpiadores líquidos fuertes, estropajos de acero, almohadillas para fregar de plástico, ni polvos limpiadores en el interior o el exterior del horno. Limpie el mismo con agua y jabón o una solución de vinagre y agua. Enjuague con agua limpia y seque con una tela seca. Al limpiar superficies, asegúrese de que estén a temperatura ambiente y fuera del contacto con

la luz solar. Si las manchas en el borde de la ventana de la puerta son persistentes, use un limpiador abrasivo suave o una esponja con estropajo para obtener un mejor resultado. El derrame de adobo, jugos de fruta, salsas de tomate y líquidos para humedecer que contengan ácidos pueden ocasionar descoloración y se deberán limpiar de inmediato. Deje que las superficies calientes se enfríen, y luego limpie y enjuague.

Superficies pintadas y Acero Inoxidable Negro (en algunos modelos)

Las superficies pintadas podrán incluir la puerta y el borde alrededor del panel de control. Límpielas con jabón y agua o con una solución de agua y vinagre.

No utilice limpiadores de horno comerciales, polvos limpiadores, esponjillas de acero o abrasivos potentes sobre cualquier superficie pintada, incluyendo el Acero Inoxidable Negro.

Acero Inoxidable – Excluyendo el Acero Inoxidable Negro (en algunos modelos)

No use virutas de acero; éstas dañarán la superficie.

Para limpiar la superficie de acero inoxidable, use agua tibia con jabón o un limpiador o pulidor para acero inoxidable.

Siempre limpie la superficie en la dirección del veteado. Siga las instrucciones del limpiador para limpiar la superficie de acero inoxidable.

Los limpiadores con ácido oxálico tales como Bar Keepers Friend Soft Cleanser™ eliminarán el óxido, deslustres y

pequeñas manchas sobre la superficie. Use sólo un limpiador líquido libre de material abrasivo y frote en la dirección de las líneas del cepillo con una esponja suave y húmeda.

Para realizar consultas sobre la adquisición de productos, incluyendo limpiadores o pulidores para electrodomésticos de acero inoxidable, lea las secciones de Asistencia y Accesorios, en el comienzo de este manual.

Interior del Horno

El interior de su nuevo horno puede ser limpiado de forma manual o utilizando los modos Steam Clean (Limpieza con Vapor) o Self Clean (Limpieza Automática).

El derrame de adobo, jugos de fruta, salsas de tomate y líquidos para humedecer que contengan ácidos pueden ocasionar descoloración y se deberán limpiar de inmediato. Espere a que las superficies calientes se enfríen, y luego limpie y enjuague.

Limpieza Manual

No use limpiadores de horno, limpiadores abrasivos, limpiadores líquidos fuertes, estropajos de acero, almohadillas para fregar, ni polvos limpiadores en el interior del horno.

Limpie el mismo con agua y jabón o una solución de vinagre y agua. Enjuague con agua limpia y seque con una tela seca. Al limpiar superficies, asegúrese de que estén a temperatura ambiente y fuera del contacto con la luz solar.

Modo de Limpieza con Vapor

La limpieza con vapor está pensada para limpiar pequeños derrames usando agua y a una temperatura de limpieza más baja que la función Self-Clean (Limpieza Automática).

Para usar la función Steam Clean (Limpieza con Vapor), limpie las grasas y suciedades del horno. Vierta una taza de agua en la parte inferior del horno. Cierre la puerta. Presione la tecla **Clean (Limpiar) dos veces** y luego presione **Start (Iniciar)**. La puerta del horno se trabará. No podrá abrir la puerta durante los 30 minutos de la limpieza con vapor, ya que esto reducirá su rendimiento. Al finalizar el ciclo de limpieza al vapor, la puerta se destrabará. Limpie cualquier exceso de agua y cualquier suciedad que haya quedado. **NOTA:** El agua en la parte inferior del horno podrá estar caliente justo después de finalizado el ciclo.

Modo de Limpieza Automática

Lea las Instrucciones de Seguridad del Horno con Limpieza Automática, en el comienzo de este manual antes de usar el modo Self Clean (Limpieza Automática). Este modo usa temperaturas muy altas para limpiar el interior del horno. Cuando use esta función, la puerta del horno se trabará. Antes de utilizar el ciclo de limpieza automática, limpie la grasa y restos de comida que haya en el horno. Retire todos los artículos del horno, excepto los estantes esmaltados (color oscuro). Los estantes brillosos o de plata, la sonda para carne, y cualquier utensilio u otros artículos deberían ser retirados del horno antes de iniciar un ciclo de limpieza automática. Cierre la puerta. Presione la tecla **Clean (Limpiar)** y se exhibirá un tiempo de limpieza automática por omisión. El tiempo de limpieza puede ser modificado en cualquier momento entre las 3:00 y las 5:00 horas, usando las teclas numéricas para ingresar un tiempo diferente y presionando **Start (Iniciar)**. Si desea usar el tiempo por omisión, presione la tecla **Start (Iniciar)** inmediatamente luego de presionar la tecla **Clean (Limpiar)**. El horno se apagará de forma automática cuando el ciclo de limpieza automática sea completado. La puerta permanecerá bloqueada hasta que el horno se haya enfriado. Una vez que el horno se haya enfriado, limpie cualquier ceniza que haya quedado en el horno.

IMPORTANTE: Las emanaciones producidas por el ciclo de autolimpieza de cualquier horno afectan la salud de algunas aves de manera notoria. Procure llevar sus aves a otra habitación bien ventilada.

Horno (Cont.)

Estantes del Horno

Los estantes que estén esmaltados, y no sean brillosos, se podrán dejar en la cavidad durante la limpieza automática o se podrán lavar con agua caliente y jabón.

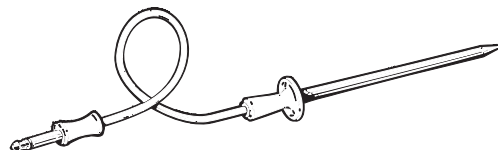
Es posible que resulte más difícil deslizar los estantes, especialmente luego de la limpieza automática. Coloque aceite vegetal en una tela húmeda o toalla de papel y frote sobre los extremos izquierdo y derecho.

Probe (Sonda)

La sonda de temperatura se puede limpiar con agua y jabón o con una almohadilla de estropajo llena de jabón. Enfríe la sonda de temperatura antes de su limpieza. Fregue las manchas difíciles con una almohadilla de estropajo llena de jabón, enjuague y seque.

Para ordenar más sondas de temperatura, lea la sección de Asistencia y Accesorios en el comienzo de este manual.

- No sumerja la sonda de temperatura en agua.
- No guarde la sonda de temperatura dentro del horno.
- Nunca deje la sonda de temperatura dentro del horno durante un ciclo de limpieza automática o de limpieza con vapor.



Luz del Horno

⚠ ADVERTENCIA PELIGRO DE DESCARGA O QUEMADURAS: Antes de reemplazar la lámpara de luz del horno, desconecte la conexión eléctrica del horno del fusible principal o del panel del disyuntor. Si esto no se cumple, se podrá producir una descarga eléctrica o un incendio.

⚠ PRECAUCIÓN RIESGO DE INCENDIO: La tapa de vidrio y la lámpara de luz se deberán retirar cuando estén frías. Tocar el vidrio caliente sin protección en las manos o con un trapo húmedo puede ocasionar quemaduras.

1. Desconecte la corriente desde el fusible principal o el panel del disyuntor.
2. Retire los estantes del horno.
3. Deslice un destornillador de punta plana o un cuchillo para untar manteca entre la carcasa metálica y la tapa de luz de vidrio. **NOTA:** algunos modelos cuentan con un sujetador metálico que visiblemente sostiene el vidrio. Es necesario insertar la herramienta entre la carcasa metálica y el sujetador que sostiene el vidrio.
4. Apoye la tapa de luz de vidrio con dos dedos para evitar que se caiga al fondo del horno. Tenga cuidado de no astillar la cubierta del horno.
5. De forma suave, gire la punta del destornillador o del cuchillo para untar manteca, a fin de aflojar la tapa de luz de vidrio. Tenga cuidado de no astillar la cubierta del horno.
6. Retire la tapa de luz de vidrio.
7. Retire la lámpara sosteniendo firmemente y deslizando la misma hacia afuera, hasta que las dos clavijas hayan dejado el soporte de cerámica.
8. No toque el vidrio de la nueva lámpara con los dedos. Esto hará que la lámpara falle al dar luz. Tome la lámpara de reemplazo con una toalla limpia o un pañuelo de papel con las clavijas hacia abajo. Alíñe las dos clavijas en el soporte de cerámica, presionando suavemente hasta que la lámpara quede asegurada en la ficha de cerámica.
9. Deslice las lentes protectoras del soporte y presione hasta que las pinzas queden enganchadas en la caja.
10. Vuelva a conectar la corriente.

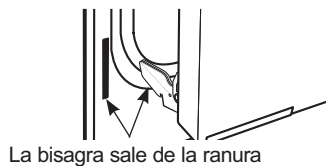
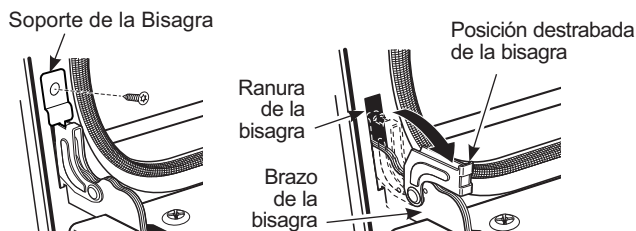
Puerta del Horno

Retiro de la Puerta del Horno

NOTA: La remoción de la puerta no es un requerimiento de la instalación del producto, pero es una comodidad adicional.

Para quitar la puerta:

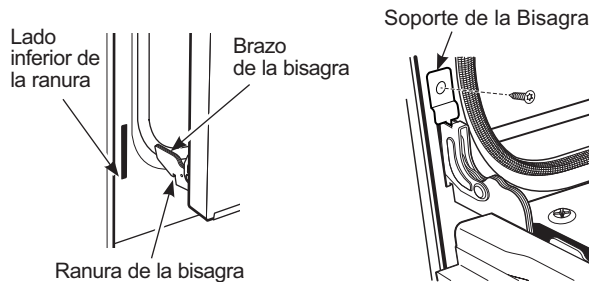
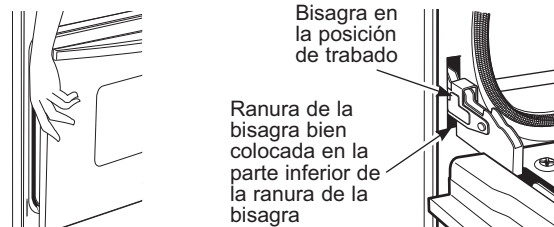
1. Abra la puerta del horno en su totalidad.
2. Retire el soporte de la bisagra (de estar presente) de la estructura frontal y déjelo a un lado. El soporte de la bisagra debe ser colocado nuevamente para un funcionamiento apropiado de la puerta cuando está última sea reinstalada.
3. Presione ambas trabas de la bisagra hacia abajo en dirección del marco de la puerta hasta destrabarlas. Para esto puede hacer falta un destornillador de lados planos. **¡NO LEVANTE LA PUERTA DE LA MANIJA!**
4. Coloque las manos sobre ambos lados y cierre la puerta del horno hasta la posición de remoción (aproximadamente 1"-2" [2,5 cm-5,1 cm] de la posición de cierre).
5. Levante la puerta hasta que los brazos de la bisagra hayan salido de las ranuras. **NOTA:** La puerta del horno es muy pesada. Asegúrese de tener un agarre firme antes de levantar la puerta del horno de sus bisagras. Tenga cuidado una vez que haya quitado la puerta. No deposite la puerta sobre la manija. Esto puede provocar abolladuras o rayones.



Reemplazo de la Puerta del Horno

NOTA: La puerta del horno es pesada. Puede necesitar ayuda para levantar la puerta lo suficiente como para deslizarla dentro de las ranuras de la bisagra. No levante la puerta de la manija.

1. Levante la puerta del horno tomándola de ambos lados.
2. Con la puerta en el mismo ángulo de la posición de remoción (aproximadamente 1"-2" [2,5 cm-5,1 cm] desde la posición de cerrado), introduzca la muesca del brazo de la bisagra dentro del extremo inferior de la ranura de la bisagra. La ranura del brazo de la bisagra debe estar bien colocada en la parte inferior de la ranura.
3. Abra la puerta por completo. Si la puerta no se abre por completo, la muesca no está bien colocada en el extremo inferior de la ranura.
4. Presione las trabas de la bisagra hacia arriba contra el armazón frontal de la cavidad del horno, hasta alcanzar la posición de trabado.
5. Reemplace el soporte de la bisagra (de estar presente). El soporte de la bisagra debe ser colocado nuevamente para un funcionamiento apropiado de la puerta.
6. Cierre la puerta del horno.



Consejos para la Solución de Problemas... Antes de solicitar el servicio técnico

¡Ahorre tiempo y dinero! Revise los cuadros de las siguientes páginas o visite GEAppliances.com/ge/service-and-support/cookingproducts.htm para acceder a artículos y videos de apoyo útiles antes de llamar al servicio técnico.

Problema	Causa Posible	Qué Hacer
Mi horno nuevo no cocina como el anterior. ¿Hay algún problema con las configuraciones de temperatura?	Su horno nuevo cuenta con un sistema de cocción diferente con relación al anterior y, por lo tanto, es posible que cocine de forma diferente.	En los primeros usos, use los tiempos y temperaturas de su receta con cuidado. Si aún piensa que su horno nuevo cocina con demasiado calor o demasiado frío, podrá ajustar el termostato usted mismo para aplicar su preferencia de cocción específica. NOTA: Este ajuste afecta los modos Bake (Hornear) y Convection Bake Multi (Horneado por Convección Múltiple); no afectará las funciones Convection Roast (Dorar por Convección), Broil (Asar), o Clean (Limpiar).
La comida no se hornea de forma apropiada	Controles del horno configurados de forma incorrecta.	Consulte la sección Modos de Cocción.
	La posición del estante es incorrecta o el estante no está nivelado.	Consulte la sección Modos de Cocción y la Guía de Cocción.
	Uso de una cacerola incorrecta o de una cacerola de tamaño incorrecto.	Consulte la sección Utensilios.
	La temperatura del horno debe ser ajustada.	Consulte la sección Settings (Configuraciones).
	Sustitución de ingredientes	Sustituir ingredientes puede modificar el resultado de la receta.
La comida no asa de forma apropiada	Controles del horno configurados de forma incorrecta.	Asegúrese de seleccionar el modo correcto para asar.
	Se usó una posición incorrecta del estante.	Para acceder a sugerencias de ubicación de estantes, consulte la Guía de Cocción.
	Se cocinó comida en una olla caliente.	Asegúrese de que el utensilio esté frío
	Utensilio de cocina inadecuado para asar.	Use una olla específicamente diseñada para asar
	El papel de aluminio usado para la olla y la rejilla para asar no se ajustó ni cortó de forma apropiada, según lo recomendado.	Si usará papel de aluminio, deberá usarse conforme con las aberturas de la olla.
	En algunas áreas, es posible que el nivel de corriente (voltaje) sea bajo.	Precalente el elemento para asar durante 10 minutos.
La temperatura del horno es demasiado caliente o demasiado fría	La temperatura del horno debe ser ajustada.	Consulte la sección Settings (Configuraciones).
El horno no funciona o parece no funcionar	Es posible que un fusible de su hogar se haya quemado o que el disyuntor se haya desconectado.	Reemplace el fusible o reinicie el disyuntor.
	Controles del horno configurados de forma incorrecta.	Consulte la sección Uso del Horno.
	El horno se encuentra en Sabbath Mode (Modo Sabático)	Verifique que el horno no esté en Sabbath Mode (Modo Sabático). Consulte la sección Settings (Configuraciones).
Sonido de “chisporroteo” o “traqueo”	Éste es el sonido de metal calentándose o enfriándose durante las funciones de cocción y limpieza..	Esto es normal.
¿Por qué la estufa hace un sonido de “clic” cuando uso el horno?	Su estufa fue diseñada para mantener un control más ajustado sobre la temperatura del horno. Es posible que escuche que los elementos de calentamiento del horno hagan sonidos de “clic” con mayor frecuencia que con hornos más antiguos para lograr mejores resultados durante los ciclos de horneado, asado, convección y limpieza automática.	Esto es normal.
El reloj y el temporizador no funcionan	Es posible que un fusible de su hogar se haya quemado o que el disyuntor se haya desconectado.	Reemplace el fusible o reinicie el disyuntor.
La luz del horno no funciona	La lámpara está floja o presenta defectos.	Ajuste o reemplace la lámpara.
	La luz de funcionamiento del interruptor está rota.	Llame al servicio técnico.
El modo de limpieza automática del horno no funciona	La temperatura del horno es demasiado caliente como para configurar la limpieza automática.	Espere a que el horno se enfríe y reinicie los controles.
	Los controles del horno están configurados de forma incorrecta.	Consulte la sección de Limpieza del Horno.

Consejos para la Solución de Problemas... Antes de solicitar el servicio técnico

Problema	Causa Posible	Qué Hacer
Exceso de humo durante un ciclo de limpieza	Suciedad o grasa excesiva.	Presione la tecla Cancel/Off (Cancelar/ Apagar) Abra las ventanas para liberar el humo en la habitación. Espere hasta que  se apague. Limpie el exceso de suciedad y reinicie el ciclo de limpieza.
Humo excesivo al asar	La comida está demasiado cerca del quemador.	Baje la posición del estante con comida.
La puerta del horno no se abrirá luego de un ciclo de limpieza	El horno está demasiado caliente.	Espere a que el horno se enfríe por debajo de la temperatura de bloqueo.
El horno no limpia luego de un ciclo de limpieza	Los controles del horno están configurados de forma incorrecta.	Consulte la sección de Limpieza del Horno.
	El horno estaba demasiado sucio.	Limpie derrames excesivos antes de iniciar el ciclo de limpieza. Es posible que, en hornos con mucha suciedad, sea necesario usar la limpieza automática nuevamente o usarla durante un período de tiempo más prolongado.
 parpadea en la pantalla	El ciclo de limpieza automática fue seleccionado pero la puerta no está cerrada.	Cierre la puerta del horno.
 está encendido cuando desea cocinar	La puerta del horno está bloqueada debido a que la temperatura interior del horno no descendió por debajo de la temperatura de bloqueo.	Presione la tecla Cancel/Off (Cancelar/ Apagar) Deje que el horno se enfríe.
“F – y un número o letra” titila en la pantalla	Tiene un código de error de función.	Presione la tecla Cancel/Off (Cancelar/ Apagar) Permita que el horno se enfríe durante una hora. Vuelva a poner el horno en funcionamiento.
	Si el código de función se repite.	Desconecte totalmente la corriente de la cocina durante por lo menos 30 minutos y vuelva a conectar la misma. Si el código de error de función se repite, llame al servicio técnico.
La pantalla queda en blanco	Es posible que un fusible de su hogar se haya quemado o que el disyuntor se haya desconectado.	Reemplace el fusible o reinicie el disyuntor.
	El reloj está apagado.	Consulte la sección Settings (Configuraciones).
	El horno se encuentra en Sabbath Mode (Modo Sabático)..	Verifique que el horno no esté en Sabbath Mode (Modo Sabático). Consulte la sección Settings (Configuraciones).
Corte de corriente, el reloj titila	Corte o exceso de corriente	Reinicie el reloj. Si el horno estuvo en uso, deberá reiniciar el mismo presionando la tecla Cancel/ Off (Cancelar/ Apagar) configurando el reloj y reiniciando cualquier función de cocción.
Olor a “quemado” o “aceite” desde la ventilación	Esto es normal en un horno nuevo y desaparecerá con el tiempo.	Para acelerar el proceso, configure un ciclo de limpieza automática por un mínimo de 3 horas. Consulte la sección de Limpieza del Horno.
Olor fuerte	Un olor en la aislación alrededor del interior del horno es normal desde las primeras veces en que el horno es usado.	Esto es temporario y desaparecerá luego de varios usos o de un ciclo de limpieza automática.
Ruido del ventilador	Es posible que un ventilador de enfriamiento se active automáticamente.	Esto es normal. El ventilador de enfriamiento se encenderá para enfriar las partes internas. Es posible que funcione hasta durante una hora y media, una vez que el horno se haya apagado.
La puerta de vidrio del horno parece estar “teñida” o tener un color “arcoíris”. ¿Es esto un defecto?	No. El vidrio del horno interno está cubierto con una barrera de calor que refleja este último nuevamente hacia el horno, a fin de evitar la pérdida de calor y de mantener fría la puerta externa mientras se hornea.	Esto es normal. Bajo ciertas luces y ángulos, es posible que visualice esta tinta o arcoíris.
A veces el horno tarda más en precalentarse a la misma temperatura	Utensilio o comida en el horno	El utensilio o la comida en el horno hará que éste tarde más en precalentarse. Retire estos artículos para reducir el tiempo de precalentamiento.
	Número de estantes en el horno	Agregar más estantes al horno hará que éste tarde más en precalentarse. Retire algunos estantes.
	Diferentes modos de cocción	Los diferentes modos de cocción utilizan diferentes métodos de precalentamiento para calentar el horno en un modo de cocción específico. Algunos modos tardarán más que otros (tales como: horneado por convección múltiple).
El horno no funciona en forma remota	Problemas en el enrutador, no hay señal inalámbrica, etc.	Para solicitar asistencia con la conectividad de red inalámbrica, comuníquese al 800.220.6899.
	El horno no está conectado.	

Notas

Garantía Limitada del Horno Eléctrico de GE Appliances

GEAppliances.com

Todo el servicio de garantía es provisto por nuestros Centros de Servicio de Fabricación, o un técnico autorizado de Customer Care®. Para programar una visita del servicio técnico a través de Internet, visítenos en GEAppliances.com/service_and_support/, o llame al 800.GE.CARES (800.432.2737). Cuando llame para solicitar el servicio, tenga los números de serie y modelo disponibles.

Para realizar el servicio técnico de su electrodoméstico, se podrá requerir el uso de datos del puerto de abordaje para su diagnóstico. Esto da al técnico del servicio de fábrica de GE Appliances la habilidad de diagnosticar de forma rápida cualquier problema con su electrodoméstico, y de ayudar a GE Appliances a mejorar sus productos al brindarle a GE Appliances la información sobre su electrodoméstico. Si no desea que los datos de su electrodoméstico sean enviados a GE Appliances, solicitamos que le indique a su técnico no entregar los datos a GE Appliances en el momento del servicio.

Por el Período de	GE Appliances reemplazará
Un Año Desde la fecha de la compra original	Cualquier parte del horno que falle debido a un defecto en los materiales o la fabricación. Durante esta garantía limitada de un año , GE Appliances también proveerá, sin costo , todo el trabajo y el servicio en el hogar para reemplazar la parte que presente defectos.

Qué no cubrirá GE Appliances:

- Viajes del técnico del servicio a su hogar para enseñarle sobre cómo usar el producto.
- Instalación, entrega o mantenimiento inadecuados.
- Fallas del producto en caso de abuso, mal uso, modificación o uso para propósitos diferentes al original o uso comercial.
- Reemplazo de fusibles de la casa o reinicio de disyuntores.
- Daños ocasionados sobre el producto por accidente, incendio, inundaciones o catástrofes naturales.
- Daños sobre el acabado, tales como óxido sobre la superficie, deslustres o manchas pequeñas no informadas dentro de las 48 horas luego de la entrega.
- Daños incidentales o consecuentes causados por posibles defectos sobre este producto.
- Daño causado después de la entrega.
- Producto no accesible para brindar el servicio requerido.
- Solicite el servicio técnico para reparar o reemplazar las lámparas, excepto las lámparas LED.

EXCLUSIÓN DE GARANTÍAS IMPLÍCITAS

Su única y exclusiva alternativa es la reparación del producto, como se indica en la Garantía Limitada. Las garantías implícitas, incluyendo garantías implícitas de comerciabilidad o conveniencia sobre un propósito particular, se limitan a un año o al período más corto permitido por la ley.

Esta garantía limitada se extiende al comprador original y a cualquier propietario posterior de los productos comprados para uso doméstico dentro de EE. UU. Si el producto está en un área donde no se encuentra disponible un Proveedor Autorizado del Servicio Técnico de GE Appliances, usted será responsable por el costo de un viaje o se podrá requerir que traiga el producto a una ubicación del Servicio Técnico de GE Appliances autorizado para recibir el servicio. En Alaska, la garantía limitada excluye el costo de envío o visitas de servicio a su domicilio. Algunos estados no permiten la exclusión o limitación de daños fortuitos o consecuentes. Esta garantía limitada le otorga derechos legales específicos, y usted también podría tener otros derechos que varían de estado a estado. Para conocer cuáles son sus derechos legales, consulte a la oficina de asuntos del consumidor local o estatal o al Fiscal de su estado.

Garante: GE Appliances, a Haier company

Louisville, KY 40225

Garantías Extendidas: Adquiera una garantía extendida de GE Appliances y conozca los descuentos especiales que están disponibles mientras su garantía aún está vigente. Puede acceder a la misma a través de Internet en cualquier momento en

GEAppliances.com/extended-warranty

o llamando al 800.626.2224 durante el horario comercial. Los Servicios para los GE Appliances aún estarán disponibles cuando su garantía caduque.

Abroche su recibo aquí. Para acceder al servicio técnico de acuerdo con la garantía deberá contar con la prueba de la fecha original de compra.

Accesorios

¿Busca Algo Más?

¡GE Appliances ofrece una variedad de accesorios para mejorar sus experiencias de cocción y mantenimiento!

Para acceder a números telefónicos e información de sitios Web, consulte la página de Soporte para el Consumidor.

Estos y otros productos están disponibles:

Accesorios

Olla para Asar Pequeña (8 ¾" x 1 ¼" x 13 ½")

Olla para Asar Grande* (12 ¾" x 1 ¼" x 16 ½")

Olla para Asar Extra Grande** (17 ¾" x 1 ¼" x 19 ½")

Piezas

Estantes del horno

Estante Deslizable Never Scrub de 27"

Estante Deslizable Never Scrub de 30"

Elementos del horno

Lámparas de luz

Suministros de Limpieza

Limpiadores de Acero Inoxidable CitriShine™

Limpiador de Electrodomésticos de Acero Inoxidable CeramaBryte

Lubricante de Grafito***

*La olla para asar grande no entra en cocinas de 20"/24".

**La olla XL no entra en hornos de pared de 24", empotrables de 27" o cocinas de 20"/24".

***Para uso con estantes deslizables Never Scrub.

Soporte para el Consumidor

Sitio Web de GE Appliances

¿Desea realizar una consulta o necesita ayuda con su electrodoméstico? ¡Intente a través del Sitio Web de GE Appliances las 24 horas del día, cualquier día del año! Usted también puede comprar más electrodomésticos maravillosos de GE Appliances y aprovechar todos nuestros servicios de soporte a través de Internet, diseñados para su conveniencia.

En EE.UU.: GEAppliances.com

Registre su Electrodoméstico

¡Registre su electrodoméstico nuevo a través de Internet, según su conveniencia! Un registro puntual de su producto permitirá una mejor comunicación y un servicio más puntual de acuerdo con los términos de su garantía, en caso de surgir la necesidad. También puede enviar una carta en la tarjeta de inscripción preimpresa que se incluye con el material embalado.

En EE.UU.: GEAppliances.com/register

Servicio Programado

El servicio de reparación de expertos de GE Appliances está a sólo un paso de su puerta. Conéctese a través de Internet y programe su servicio a su conveniencia cualquier día del año. En EE.UU.: GEAppliances.com/service o comuníquese al 800.432.2737 durante el horario de atención comercial.

Garantías Extendidas

Adquiera una garantía extendida de GE Appliances y conozca los descuentos especiales que están disponibles mientras su garantía aún está vigente. La puede adquirir en cualquier momento a través de Internet. Los servicios de GE Appliances aún estarán allí cuando su garantía caduque.

En EE.UU.: GEAppliances.com/extended-warranty

o comuníquese al 800.626.2224 durante el horario de atención comercial.

Conectividad Remota

Para solicitar asistencia para la conectividad de red inalámbrica (para modelos con acceso remoto), visite nuestro sitio web en GEAppliances.com/connect o comuníquese al 800.220.6899 en EE.UU.

Piezas y Accesorios

Aquellos individuos calificados para realizar el servicio técnico de sus propios electrodomésticos podrán solicitar el envío de piezas o accesorios directamente a sus hogares (se aceptan las tarjetas VISA, MasterCard y Discover). Ordene hoy a través de Internet durante las 24 horas, todos los días. En EE.UU.: GEApplianceparts.com o de forma telefónica al 877.959.8688 durante el horario de atención comercial.

Las instrucciones que figuran en este manual cubren los procedimientos que serán realizados por cualquier usuario. Otros servicios técnicos generalmente deben ser derivados a personal calificado del servicio. Se deberá tener cuidado, ya que una reparación indebida podrá hacer que el funcionamiento no sea seguro.

Contáctenos

Si no se encuentra satisfecho con el servicio que recibió de GE Appliances, comuníquese con nosotros a través de nuestro sitio Web con todos los detalles, incluyendo su número telefónico, o escriba a:

En EE.UU.: General Manager, Customer Relations | GE Appliances, Appliance Park | Louisville, KY 40225

GEAppliances.com/contact