

# Frigidaire Gallery



## French Door Refrigerator

27.8 Cu. Ft. French Door Refrigerator

GRFS2853AF, GRFS2853AD

Available Colors : Stainless Steel, Black Stainless Steel

Version : 11/21

### Refrigerator

|  |           |
|--|-----------|
| Adjustable Temperature Drawer              | Yes       |
| Air Filter                                 | Yes       |
| Crisper Color                              | Clear     |
| Dairy Bin                                  | No        |
| Door Bin Color                             | Clear     |
| Humidity Controls                          | Automatic |
| Interior Lighting                          | LED       |
| Shelf Material                             | Glass     |
| Water Filter                               | Yes       |
| Number of Adjustable Gallon Plus Door Bins | 3         |
| Number of Fixed Condiment Door Bins        | 3         |
| Number of Fixed Gallon Door Bins           | 1         |
| Number of Other Door Bins                  | 2         |
| Total Number of Door Bins                  | 9         |
| Number of Adjustable Shelves               | 2         |
| Number of Fixed Shelves                    | 1         |
| Number of Crispers                         | 2         |

### Freezer

|                            |       |
|----------------------------|-------|
| Auto Close Drawer          | Yes   |
| Automatic Defrost          | Yes   |
| Basket Divider             | Yes   |
| Baskets / Bins Color       | White |
| Interior Lighting          | LED   |
| Shelf Material             | Glass |
| Number of Baskets / Bins   | 1     |
| Number of Pull Out Shelves | 1     |
| Total Number of Shelves    | 1     |

### Ice Maker

|                    |                    |
|--------------------|--------------------|
| Ice Maker          | Yes                |
| Ice Maker Location | Fresh Food Section |
| Ice Shape          | Square             |
| Second Ice Maker   | Yes                |

### Controls

|                        |           |
|------------------------|-----------|
| Air Filter Indicator   | Yes       |
| Control Location       | Dispenser |
| Digital Display        | Yes       |
| Door Ajar Alarm        | Yes       |
| Control Lock           | Yes       |
| Ice Maker On/Off       | Yes       |
| Mute Sound Control     | Yes       |
| On/Off Display         | Yes       |
| Power Failure Alarm    | Yes       |
| Power On/Off           | Yes       |
| Sabbath Mode           | Yes       |
| Water Filter Indicator | Yes       |

### Dispenser

|                  |          |
|------------------|----------|
| Crushed Ice      | Yes      |
| Cube Ice         | Yes      |
| Dispenser        | Yes      |
| Dispenser Height | 10 4/10" |
| Light Control    | Yes      |
| Water            | Yes      |

### Exterior

|               |        |
|---------------|--------|
| Counter-Depth | No     |
| Door Finish   | Smooth |
| Door Stops    | Yes    |
| Front Rollers | Yes    |
| Rear Rollers  | No     |

### Dimensions and Volume

|                      |          |
|----------------------|----------|
| Height With Hinge    | 70"      |
| Height Without Hinge | 68 3/10" |
| Width                | 36"      |
| Width of Cabinet     | 35 6/10" |
| Depth of Cabinet     | 28 1/2"  |
| Depth With Door      | 33 3/10" |

Note: For planning purposes only. Always consult local and national electric, gas and plumbing codes.

Refer to Product Installation Guide for detailed installation instructions on the web at [frigidaire.com](http://frigidaire.com) / [frigidaire.ca](http://frigidaire.ca)

Specifications subject to change. Accessories information available on the web at [frigidaire.com](http://frigidaire.com) / [frigidaire.ca](http://frigidaire.ca)

USA • 10200 David Taylor Drive • Charlotte, NC 28262 • 1-800-FRIGIDAIRE • [frigidaire.com](http://frigidaire.com)

CANADA • 5855 Terry Fox Way • Mississauga, ON L5V 3E4 • 1-800-265-8352 • [frigidaire.ca](http://frigidaire.ca)

# Frigidaire Gallery

27.8 Cu. Ft. French Door Refrigerator

GRFS2853AF, GRFS2853AD

Version : 11/21

|                            |              |
|----------------------------|--------------|
| Depth With Door 90° Open   | 47 4/10"     |
| Depth With Door and Handle | 35 7/10"     |
| Freezer Capacity           | 9 Cu. Ft.    |
| Fresh Food Capacity        | 18.8 Cu. Ft. |
| Total Capacity             | 27.8 Cu. Ft. |

## Electrical Specifications

|                          |          |
|--------------------------|----------|
| Amps @ 120 Volts         | 3.3 Amps |
| Minimum Circuit Required | 15 Amps  |

## Connectivity

|                  |                   |
|------------------|-------------------|
| Annual Energy    | 725 kWh           |
| Condenser Type   | Dynamic           |
| Cooling System   | Single Evaporator |
| Leveling Legs    | Yes               |
| Prop 65 Label    | Yes               |
| Refrigerant Type | R-600A            |
| Warranty - Labor | 1 Year            |
| Warranty - Parts | 1 Year            |
| Wi-Fi Enabled    | No                |

## Performance Certifications and Approvals

|                       |     |
|-----------------------|-----|
| ENERGY STAR Certified | Yes |
|-----------------------|-----|

## Safety Certifications and Approvals

|            |     |
|------------|-----|
| CSA Listed | Yes |
|------------|-----|

Note: For planning purposes only. Always consult local and national electric, gas and plumbing codes.

Refer to Product Installation Guide for detailed installation instructions on the web at [frigidaire.com](http://frigidaire.com) / [frigidaire.ca](http://frigidaire.ca)

Specifications subject to change. Accessories information available on the web at [frigidaire.com](http://frigidaire.com) / [frigidaire.ca](http://frigidaire.ca)

USA • 10200 David Taylor Drive • Charlotte, NC 28262 • 1-800-FRIGIDAIRE • [frigidaire.com](http://frigidaire.com)

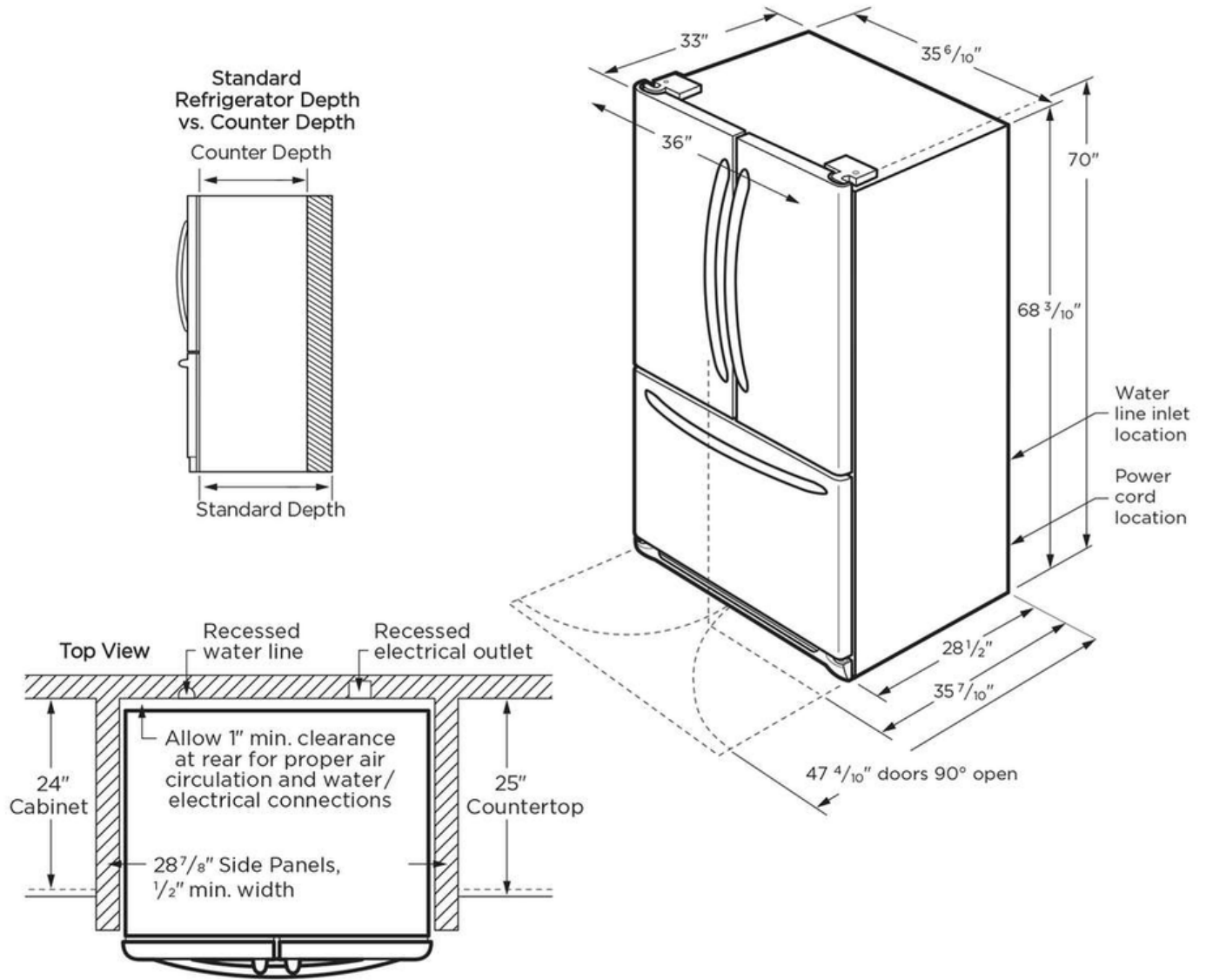
CANADA • 5855 Terry Fox Way • Mississauga, ON L5V 3E4 • 1-800-265-8352 • [frigidaire.ca](http://frigidaire.ca)

# Frigidaire Gallery

27.8 Cu. Ft. French Door Refrigerator

GRFS2853AF, GRFS2853AD

Version : 11/21



Note: For planning purposes only. Always consult local and national electric, gas and plumbing codes.

Refer to Product Installation Guide for detailed installation instructions on the web at [frigidaire.com](http://frigidaire.com) / [frigidaire.ca](http://frigidaire.ca)

Specifications subject to change. Accessories information available on the web at [frigidaire.com](http://frigidaire.com) / [frigidaire.ca](http://frigidaire.ca)

USA • 10200 David Taylor Drive • Charlotte, NC 28262 • 1-800-FRIGIDAIRE • [frigidaire.com](http://frigidaire.com)

CANADA • 5855 Terry Fox Way • Mississauga, ON L5V 3E4 • 1-800-265-8352 • [frigidaire.ca](http://frigidaire.ca)