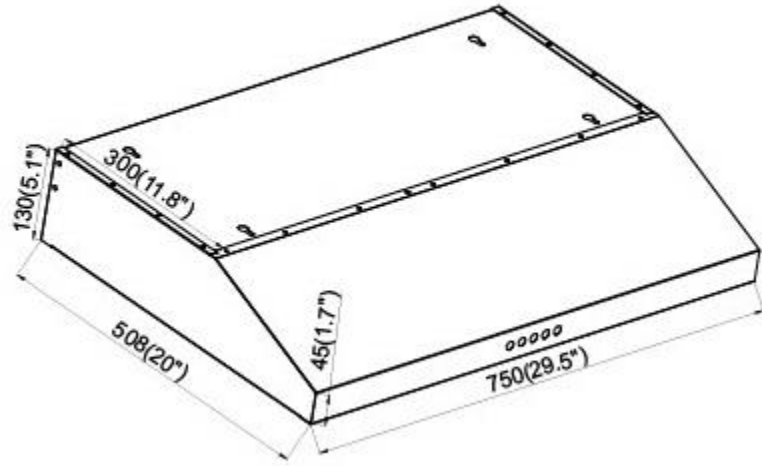


ONEX[®]

HOODFANS



OHF300SS

✚ Dimension:	30"
✚ Venting size:	10" rectangular duct vent exhaust and back draft damper
✚ Airflow at max:	400CFM
✚ Lighting:	2X2W LED lamp
✚ Noise Level:	Low speed: 52dBA Max speed: 65Dba
✚ Voltage:	110v/60Hz
✚ Motor:	80W
✚ Mount type:	Under Cabinet
✚ Keypad type:	Push button
✚ Filters:	Aluminum filter
✚ Material:	Stainless steel
✚ Certified:	ETL certificate
✚ Packing:	32.9x10x22.6'