



# 5.0 cu. ft. Front Load Washer

## MHW8630H



Metallic Slate  
MHW8630HC

### Also available in:

White

**MHW8630HW**

### Capacity

Total 5.0 cu. ft.

### General Features & Properties

24 Hr Fresh Hold® Option

Optimal Dose Dispenser

Quick Wash Cycle

Sanitize Cycle

Maytag® Commercial Technology

10-Year Limited Parts Warranty† on the Direct Drive Motor and Stainless Steel Wash Basket

Remote Start

Cycle Notifications

Troubleshoot

### Electrical Details

Amps 15 or 20

Volts 120

### Certifications

ADA Compliant Yes

ENERGY STAR® Certified Yes

Connected/Smart Appliance Yes

### Technical Details

Drum Material Stainless Steel

Control Location Front

Control Type Knobs

Number of Cycles 14

Washer Cycle Selections  
Bulky Items  
Clean Washer with affresh® Colors  
Custom Cycle  
Delicates  
Drain & Spin  
Heavy Duty  
Normal  
Overnight Wash & Dry (12hr)  
Quick Wash  
Sanitize  
Towels  
Whites  
Wrinkle Control

Number of Options 10

Washer Option Selections  
Delay Wash  
Extra Power / Boost Option  
Remote Enable  
Steam Clean

### Dimensions

Product Dimensions (H x W x D) 38-5/8" x 27" x 32-15/16"

Depth with Door Open 90° 52-15/16"

### Reference Material

[Install Guide](#)

[Use & Care Guide](#)

[Energy Guide](#)

[Warranty](#)

### Key Features & Benefits

#### Powerful Cleaning

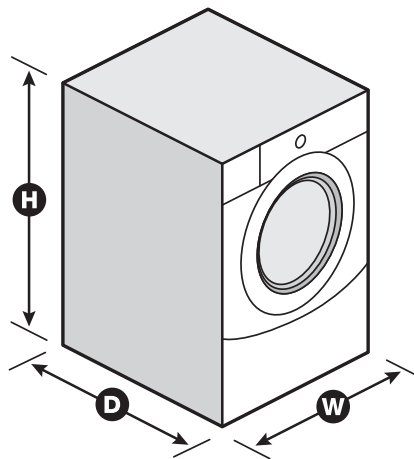
Most Powerful Cleaning in the industry\* driven by the Heavy Duty cycle with Extra Power button.

#### Extra Power Button

Some stains dissolve best in hot water. Others in cold. With the push of a button, Maytag fights both in a single load. The Extra Power button boosts stain-fighting performance on any wash cycle with a dual-temperature wash.

#### Smart Appliance

Stay in control and efficiently manage laundry from anywhere.\*\* Remotely start or stop your appliance and get end of cycle notifications so no load is left behind. Troubleshoot select issues to avoid unnecessary service calls and help ensure dependable performance, year after year. Get personalized tips to help you best clean your clothing and maximize the power of your Maytag® appliances.



\*Models with Extra Power option: MHW8630H, MHW6630H, MHW5630H. Based on cleaning score of a 20-lb load, among leading front load brands, Heavy Duty cycle plus Extra Power vs. comparable cycles and options. \*\*Appliance must be set to remote enable. WiFi & App Required. Features subject to change. Details and privacy info at maytag.com/connect. †Visit maytag.com for warranty details. NOTE: Dimensions are for planning purposes only. For complete details, see Installation Instructions packed with product. Specifications subject to change without notice.