



# 1.9 cu. ft. Over-the-Range Microwave

WMH32519H



Fingerprint Resistant Stainless Steel  
WMH32519HZ

### Also available in:

- White **WMH32519HW**
- Black **WMH32519HB**
- Biscuit **WMH32519HT**
- Stainless Steel **WMH32519HS**
- Black Stainless Steel **WMH32519HV**

### Capacity

Total 1.9 cu. ft.

### General Features & Properties

Turntable On/Off Option

3-Speed, 300 CFM Motor Class

Fingerprint Resistant

Dishwasher-Safe Turntable Plate

Microwave Presets

Add 30 Seconds Option

Electronic Touch Controls

Adjustable Cooktop Lighting

Hidden Vent

### Electrical Details

Amps 16

Volts 120

### Technical Details

Microwave Type Over-the-Range

CFMs 300

Lighting Type Incandescent

Number of Speeds 3

Venting Type Updraft

### Dimensions

Product Dimensions (H x W x D) 17-1/8" x 29-15/16" x 15-9/16"

Depth with Door Open 90° 39-3/8"

Cutout Dimensions (W x D) 30" x 12" minimum

### Reference Material

[Dimension Guide](#)

[Install Guide](#)

[Use & Care Guide](#)

[Warranty](#)

### Key Features & Benefits

#### CleanRelease® Non-Stick Interior

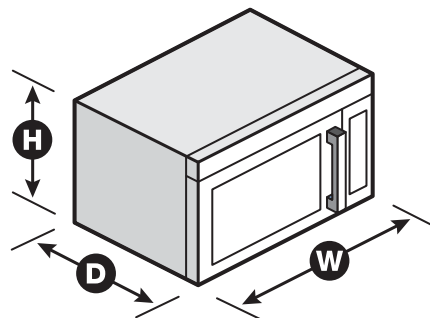
Quickly clean up spills with a damp wipe, no special cleaning solutions required.

#### Steam Cooking

Clear up cooktop space by steaming foods like rice, vegetables and fish right in the microwave. Steam accessory available separately.

#### Sensor Cooking

Automatically tracks the cooking progress of your food and adjusts the cook time as needed.



NOTE: Dimensions are for planning purposes only. For complete details, see Installation Instructions packed with product. Specifications subject to change without notice.

®/™ © 2020. All rights reserved. Printed in the U.S.A. D200104XXE. WMH32519HSpecSheetV01.