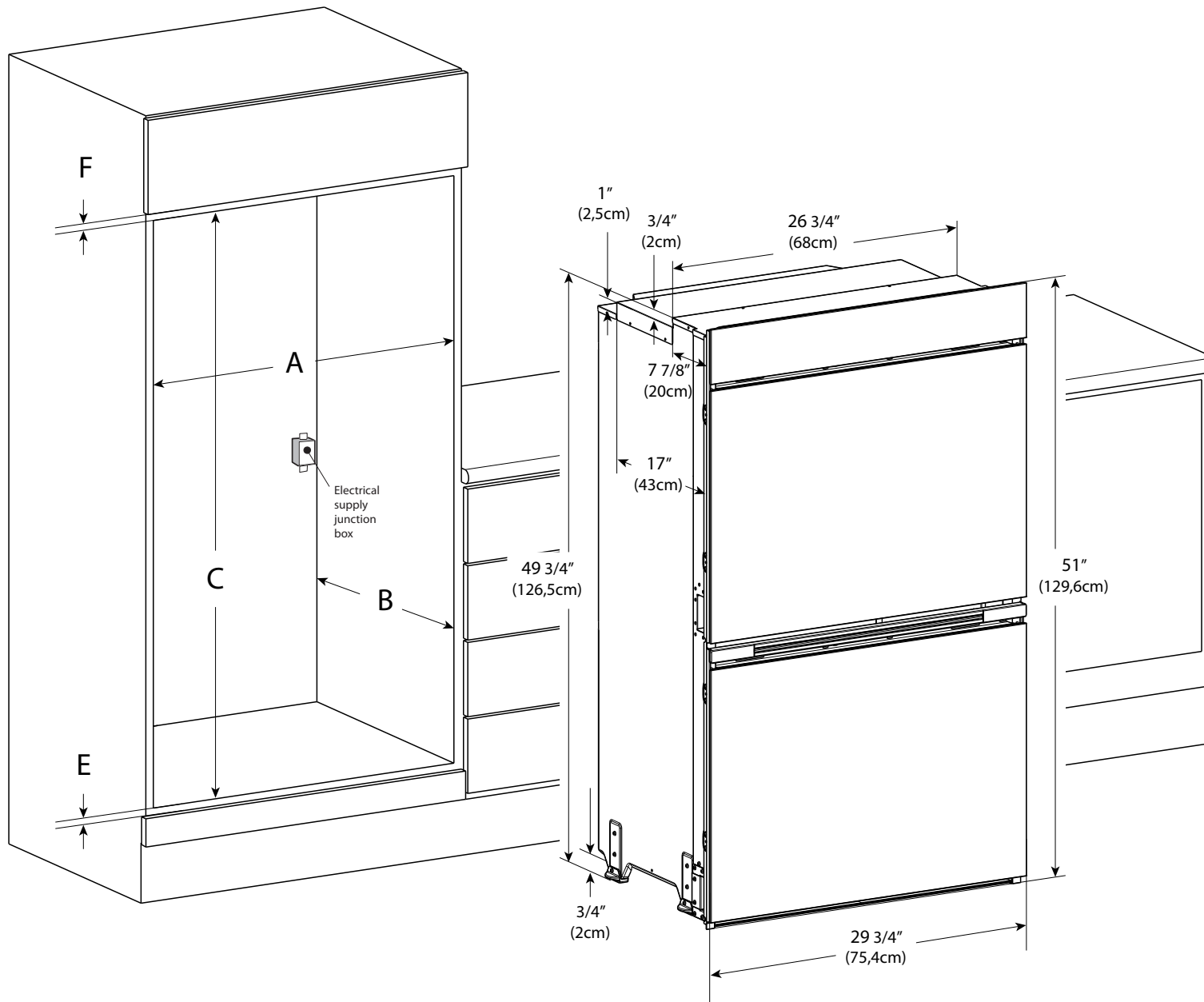


FULGOR

MILANO

30" Wall Double Oven 600 PROFESSIONAL SERIES

Weight & Dimensions



Ltr.	CUTOUT DIMENSION	inch	cm
A	Cutout Width	28 7/16"	72,2cm
B	Cutout Depth	24"	61cm
C	Cutout Height	50"	127cm
D	Floor Bottom of Cutout	NA	NA
E	Minimum Spacing	1/2"	1,3cm
F	Minimum Spacing	1 1/4"	3,2cm

PACKAGING		lb / inch	Kg / mm
GROSS WEIGHT		337 lb	153 Kg
DIMENSION	W	33"1/2	850
	D	31"1/8	790
	H	54"1/2	1385

