

ASSEMBLY INSTRUCTIONS
COASTER FINE FURNITURE



Fine Furniture for every stage of life

991048

FIREPLACE

ITEM : 991048



ASSEMBLY INSTRUCTIONS

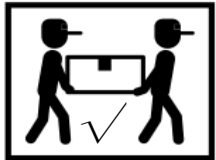
ASSEMBLY TIPS:

- 1.Remove hardware from box and sort by size.
- 2.Please check to see that all hardware and parts are present prior to start of assembly.
- 3.Please follow attached instruction in the same sequence as numbered to assure fast & easy assembly.



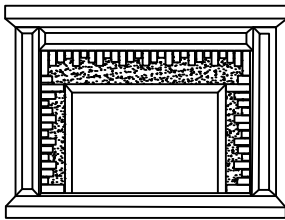
WARNING!

- 1.Don't attempt to repair or modify parts that are broken or defective. Please contact the store immediately.
- 2.This product is for home use only and not intended for commercial establishment.



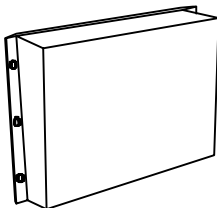
ASSEMBLY TIME 10 MINUTES

PARTS IDENTIFICATION



A FIREPLACE

1PC



B FURNACE CORE

1PC

HARDWARE

1 SCREW



6PCS

2 SCREWDRIVER

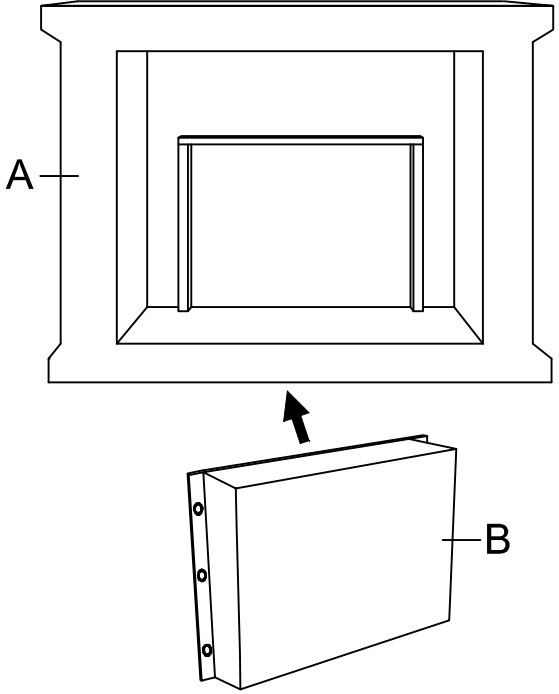


1PC

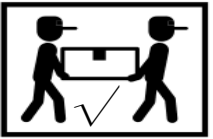
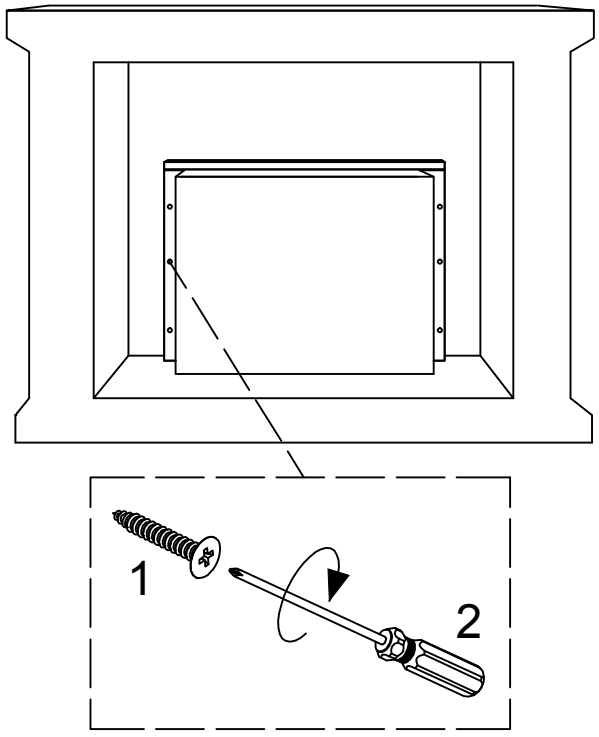
ITEM : 991048

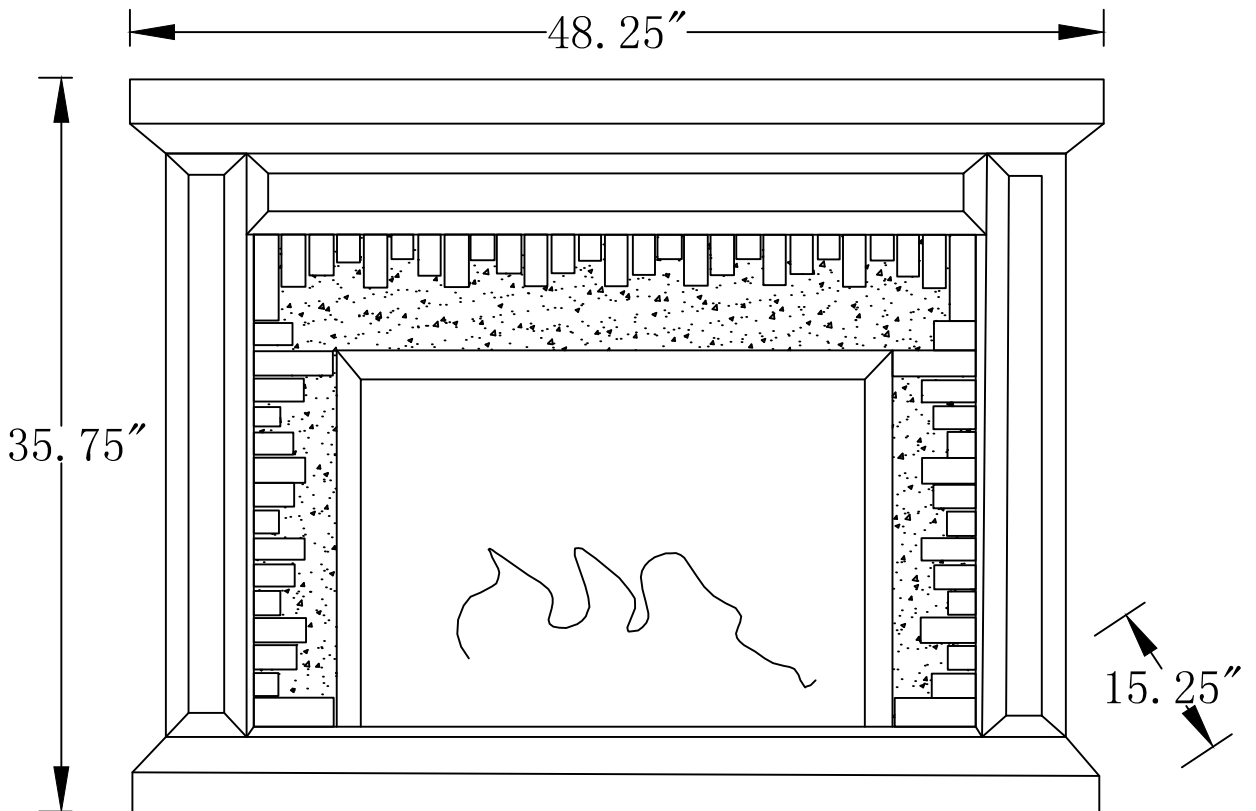
ASSEMBLY INSTRUCTIONS

STEP 1

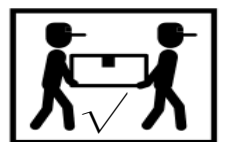


STEP 2





Note: Dimension tolerance $\pm 5\%$



COASTERFURNITURE.COM