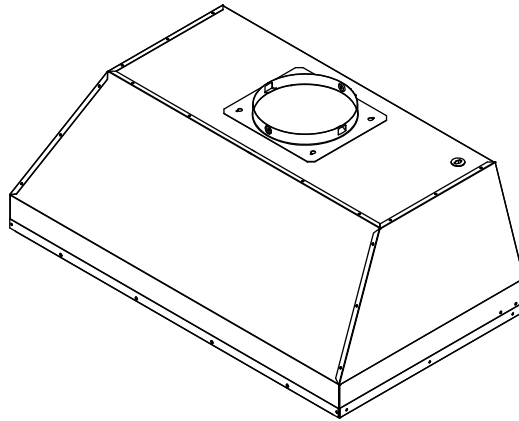


# Use, Care, and Installation Guide

## Monsoon I

AK9228AS  
AK9234AS  
AK9240AS  
AK9246AS



Model number: \_\_\_\_\_

Serial Number: \_\_\_\_\_

Date of Purchase: \_\_\_\_\_

Sales Dealer: \_\_\_\_\_



JUL16.0601 © 2016 Zephyr Ventilation LLC.

**READ AND SAVE THESE INSTRUCTIONS**



**SAFETY NOTICE**..... 2-3

**LIST OF MATERIALS**..... 4

**INSTALLATION**

    Ducting Calculation Sheet..... 5

    Mounting Height & Clearance..... 6

    Ducting Options..... 7

    Specifications..... 8

    Electrical..... 9

    Cabinet Preparation & Installation..... 10

    Vertical Ducting Preparation..... 11

    Horizontal Ducting Preparation..... 12-14

**FEATURES & CONTROLS**

    Touch Controls..... 15-16

    RF Remote Control..... 17

**MAINTENANCE**

    Cleaning and Installing Filters..... 18

    Lights..... 19

**ACT CONVERSION**..... 20

**FAN CURVE & WIRING DIAGRAMS**..... 21-24

**TROUBLESHOOTING**..... 25

**LIST OF PARTS AND ACCESSORIES**..... 26

**WARRANTY**..... 27

**PRODUCT REGISTRATION**..... 28

**Important Safety Notice**

**WARNING**

TO REDUCE THE RISK OF FIRE OR ELECTRIC SHOCK, DO NOT USE THIS FAN WITH ANY SOLID-STATE CONTROL DEVICE.

**WARNING**

TO REDUCE THE RISK OF FIRE ELECTRIC SHOCK, OR INJURY TO PERSONS, OBSERVE THE FOLLOWING:

- a. Use this unit only in the manner intended by the manufacturer, if you have questions, contact the manufacturer.
- b. Before servicing or cleaning unit, switch power off at service panel and lock panel to prevent power from being switched on accidentally. When the service disconnecting means cannot be locked, securely fasten a prominent warning device, such as a tag, to the service panel.

**CAUTION**

For general ventilating use only. Do not use to exhaust hazardous or explosive materials and vapors. Take care when using cleaning agents or detergents. Suitable for use in household cooking area.

**WARNING**

TO REDUCE THE RISK OF RANGE TOP GREASE FIRE:

- a. Never leave surface units unattended at high settings. Boilovers cause smoking and greasy spillovers that may ignite. Heat oils slowly on low or medium settings.
- b. Always turn hood ON when cooking at high heat or when flaming food
- c. Clean ventilating fans frequently. Grease should not be allowed to accumulate on fan or filter.
- d. Use proper pan size. Always use cookware appropriate for the size of the surface element.
- e. Keep fan, filters and grease laden surfaces clean.
- f. Use high setting on hood only when necessary.
- g. Don't leave hood unattended when cooking.
- h. Always use cookware and utensils appropriate for the type of and amount of food being prepared.

**WARNING**

TO REDUCE THE RISK OF INJURY TO PERSONS IN THE EVENT OF A RANGE TOP FIRE, OBSERVE THE FOLLOWING:

- a. SMOTHER FLAMES with a close-fitting lid, cookie sheet, or metal tray, then turn off the burner. BE CAREFUL TO PREVENT BURNS. If the flames do not go out immediately, EVACUATE AND CALL THE FIRE DEPARTMENT.
- b. NEVER PICK UP A FLAMING PAN – You may be burned.
- c. DO NOT USE WATER, including wet dishcloths or towels – a violent steam explosion will result.
- d. Use an extinguisher ONLY if:
  - 1. You know you have a Class ABC extinguisher, and you already know how to operate it.
  - 2. The fire is small and contained in the area where it started.
  - 3. The fire department is being called.
  - 4. You can fight the fire with your back to an exit

**WARNING**

TO REDUCE THE RISK OF FIRE, ELECTRIC SHOCK OR INJURY TO PERSONS, OBSERVE THE FOLLOWING:

- a. Installation work and electrical wiring must be done by qualified person(s) in accordance with all applicable codes and standards. Including fire-rated construction.
- b. Sufficient air is needed for power combustion and exhausting of gases through the flue (chimney) of fuel burning equipment to prevent back-drafting. Follow the heating equipment manufacturer's guideline and safety standards such as those published by the National Fire Protection Association (NFPA) and the American Society for Heating, Refrigeration and Air Conditioning Engineers (ASHRAE) and the local code authorities.
- c. When cutting or drilling into wall or ceiling, do not damage electrical wiring and other hidden utilities.
- d. Ducted fans must always vent to the outdoors.
- e. NEVER place a switch where it can be reached from a tub or shower.
- f. Make sure the power is off before installing, wiring or maintenancing.

**WARNING**

TO REDUCE THE RISK OF FIRE, USE ONLY METAL DUCTWORK.  
NOT FOR USE OVER AN OUTDOOR GRILL

**CAUTION**

To reduce risk of fire and to properly exhaust air outside - Do not vent exhaust air into spaces within walls, ceilings, attics, crawl spaces or garages.

**OPERATION**

Always leave safety grilles and filters in place. Without these components, operating blowers could catch onto hair, fingers and loose clothing.

The manufacturer declines all responsibility in the event of failure to observe the instructions given here for installation, maintenance and suitable use of the product. The manufacturer further declines all responsibility for injury due to negligence and the warranty of the unit automatically expires due to improper maintenance.

**\*NOTE: Please check [www.zephyronline.com](http://www.zephyronline.com) for revisions before doing any custom work.**

**ELECTRICAL REQUIREMENTS**

**Important:**

Observe all governing codes and ordinances.

It is the customer's responsibility:

- To contact a qualified electrical installer.
- To assure that the electrical installation is adequate and in conformance with National Electrical Code, ANSI/NFPA 70 latest edition\* or CSA standards C22.1-94, Canadian Electrical Code, Part 1 and C22.2 No.0-M91 - latest edition\*\* and all local codes and ordinances.  
If codes permit and a separate ground wire is used, it is recommended that a qualified electrician determine that the ground path is adequate.

Do not ground to a gas pipe.

Check with a qualified electrician if you are not sure the range hood is properly grounded.

Do not have a fuse in the neutral or ground circuit.

\*National Fire Protection Association Batterymarch Park, Quincy, Massachusetts 02269

\*\* CSA International 8501 East Pleasant Valley Road, Cleveland, Ohio 44131-5575

This appliance requires a 120V 60Hz electrical supply and connected to an individual properly grounded branch circuit protected by a 15 or 20 ampere circuit breaker or time delay fuse. Wiring must be 2 wire with ground. Please also refer to Electrical Diagram on product.

**AK9228AS / AK9234AS - 480W, 5 Amps**

**AK9240AS - 890W, 9 Amps**

**AK9246AS - 960W, 9 Amps**

A cable locking connector (not supplied) might also be required by local codes. Check with local requirements, purchase and install appropriate connector if necessary.

**FEDERAL COMMUNICATION COMMISSION INTERFACE STATEMENT**

This equipment has been tested and found to comply with the limits for a Class B digital device, pursuant to Part 15 of the FCC Rules. These limits are designed to provide reasonable protection against harmful interference in a residential installation.

This equipment generates, uses and can radiate radio frequency energy and, if not installed and used in accordance with the instructions, may cause harmful interference to radio communications. However, there is no guarantee that interference will not occur in a particular installation. If this equipment does cause harmful interference to radio or television reception, which can be determined by turning the equipment off and on, the user is encouraged to try to correct the interference by one of the following measures:

- . Reorient or relocate the receiving antenna.
- . Increase the separation between the equipment and receiver.
- . Connect the equipment into an outlet on a circuit different from that to which the receiver is connected.
- . Consult the dealer or an experienced radio/TV technician for help

# List of Materials

## PARTS SUPPLIED

### MODELS: AK9228AS, AK9234AS

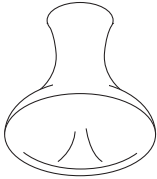
- 1 - Liner hood body
- 2 - Baffle filters (3 for AK9234AS)
- 2 - Halogen light bulbs (pre-installed)
- 1 - Internal blower (pre-installed)
- 1 - 8" round adaptor w/damper
- 1 - 3 1/4" x 10" rectangular adaptor w/damper
- 2 - Horizontal ducting blower mount brackets
- 1 - Top rectangular cover plate
- 1 - Hardware package

### MODELS: AK9240AS, AK9246AS

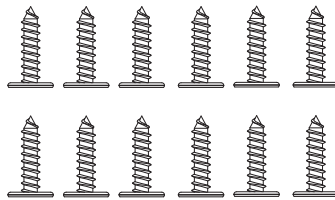
- 1 - Liner hood body
- 3 - Baffle filters (4 for AK9246AS)
- 2 - Halogen light bulbs (pre-installed) (4 for AK9246AS)
- 1 - Dual Internal blower (pre-installed)
- 1 - 10" round adaptor w/damper
- 1 - Hardware package

## HARDWARE PACKAGE CONTENTS

Light Bulb Removal  
Suction Cup (1)

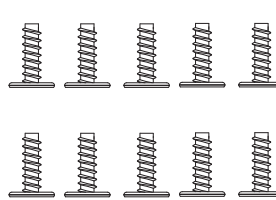


#8 x 1/2" (12)

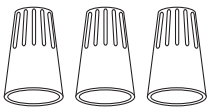


3/16" x 3/8" (10)

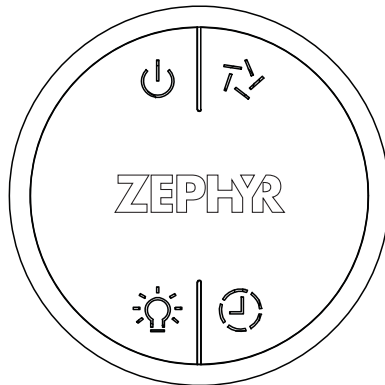
AK9228AS & AK9234AS ONLY



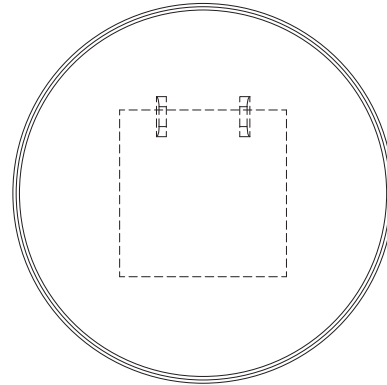
Wire Caps (3)



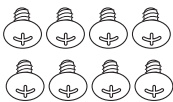
RF Remote Control (1)



Remote Holder (1)



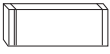

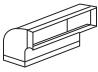
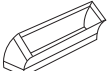

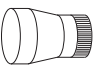
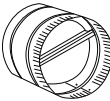


M4 x 6mm (8)  
AK9240AS & AK9246AS (4)







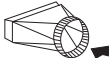




## PARTS NOT SUPPLIED

- Ducting, conduit and all installation tools
- Cable connector (if required by local codes)

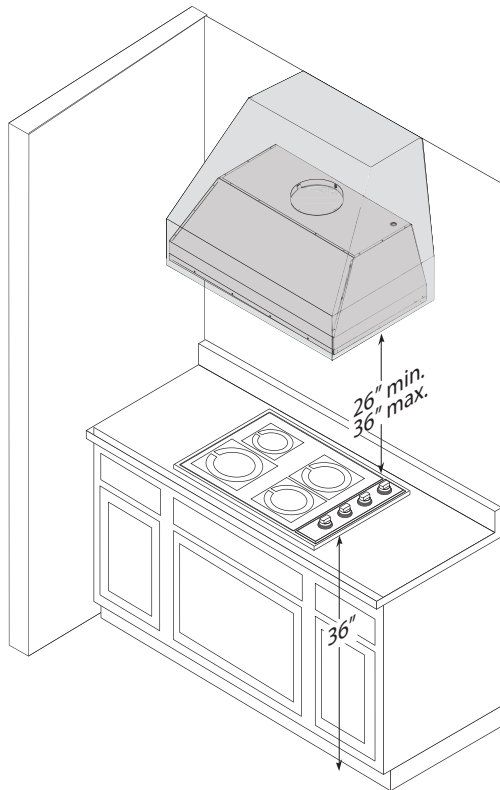
# Installation – Ducting Calculation Sheet

Duct pieces		Equivalent number length x used =	Total
	3-1/4" x 10" Rect., straight	1 Ft. x ( ) =	Ft.
	6", 7", 8", 10" Round, straight	1 Ft. x ( ) =	Ft.
	3-1/4" x 10" Rect. 90° elbow	15 Ft. x ( ) =	Ft.
	3-1/4" x 10" Rect. 45° elbow	9 Ft. x ( ) =	Ft.
	3-1/4" x 10" Rect. 90° flat elbow	24 Ft. x ( ) =	Ft.
	7" to 6" or 8" to 7" Round tapered reducer	25 Ft. x ( ) =	Ft.
	6", 7", 8" Round in-line damper	15 Ft. x ( ) =	Ft.
	6", 7", 8", 10" Round, 90° elbow	15 Ft. x ( ) =	Ft.
	6", 7", 8", 10" Round, 45° elbow	9 Ft. x ( ) =	Ft.
Subtotal column 1 =			Ft.

**Maximum Duct Length:** For satisfactory air movement, the total duct length should not exceed 100 equivalent feet.

Duct pieces		Equivalent number length x used =	Total
	3-1/4" x 10" Rect. to 6" round transition	5 Ft. x ( ) =	Ft.
	3-1/4" x 10" Rect. to 6" round transition 90° elbow	20 Ft. x ( ) =	Ft.
	6" round to 3-1/4" x 10" rect. transition	1 Ft. x ( ) =	Ft.
	6" round to 3-1/4" x 10" rect. transition 90° elbow	16 Ft. x ( ) =	Ft.
	7" round to 3 1/4" x 10" rect. transition	8 Ft. x ( ) =	Ft.
	7" round to 3-1/4" x 10" rect. transition 90° elbow	23 Ft. x ( ) =	Ft.
	3-1/4" x 10" Rect. wall cap with damper	30 Ft. x ( ) =	Ft.
	6", 7", 8", 10" Round, wall cap with damper	30 Ft. x ( ) =	Ft.
	6", 7", 8", 10" Round roof cap	30 Ft. x ( ) =	Ft.
Subtotal column 2 =			Ft.
Subtotal column 1 =			Ft.
Total ductwork =			Ft.

# Installation – Mounting Height & Clearance



## DUCTING

A minimum of 8" round or 3-1/4" x 10" rectangular duct for AK9228AS and AK9234AS must be used to maintain maximum air flow efficiency.

A minimum of 10" round duct for AK9240AS and AK9246AS must be used to maintain maximum air flow efficiency.

Always use rigid type metal ducts only. Flexible ducts could restrict air flow by up to 50%.

Also use calculation (on page 5) to compute total available duct run when using elbows, transitions and caps.

ALWAYS, when possible, reduce the number or transitions and turns. If long duct run is required, increase duct size.

If turns or transitions are required; install as far away from hood duct output and as far apart, between the two as possible.

Minimum mount height between range top to hood bottom should be no less than 26".

Maximum mount height should be no higher than 36".

It is important to install the hood at the proper mounting height. Hoods mounted too low could result in heat damage and fire hazard; while hoods mounted too high will be hard to reach and will lose its performance and efficiency.

If available, also refer range manufacturer's height clearance requirements and recommended hood mounting height above range.

### Vertical Ducting:

AK9228AS & AK9234AS: 8" round minimum  
AK9240AS & AK9246AS: 10" round minimum

### Horizontal Ducting:

AK9228AS & AK9234AS: 8" round or  
3 1/4" x 10" rectangular minimum  
AK9240AS & AK9246AS: NA

### DAMAGE-SHIPMENT / INSTALLATION:

- Please fully inspect unit for damage before installation.
- If the unit is damaged in shipment, return the unit to the store in which it was bought for repair or replacement.
- If the unit is damaged by the customer, repair or replacement is the responsibility of the customer.
- If the unit is damaged by the installer (if other than the customer), repair or replacement must be made by arrangement between customer and installer.



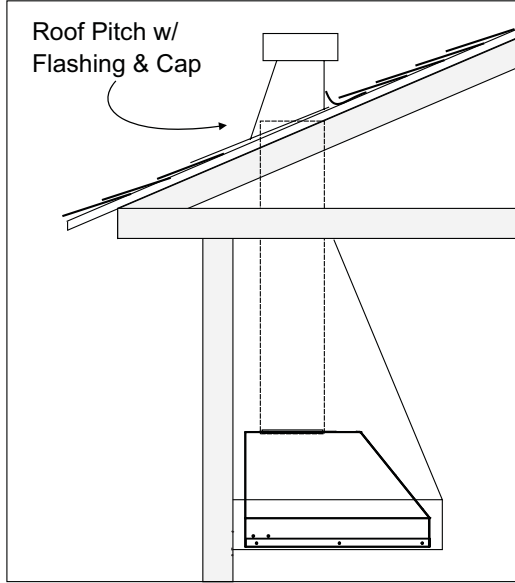
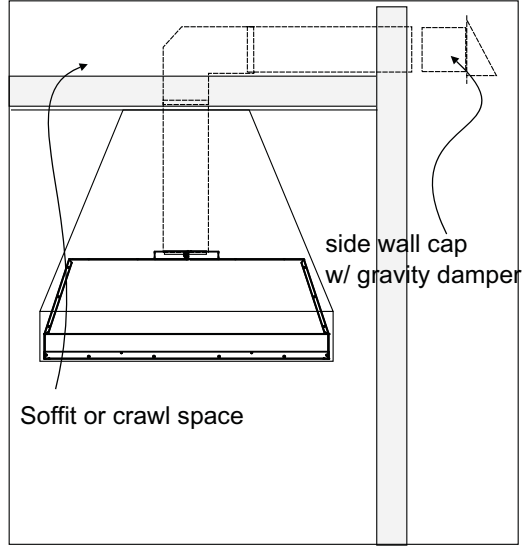
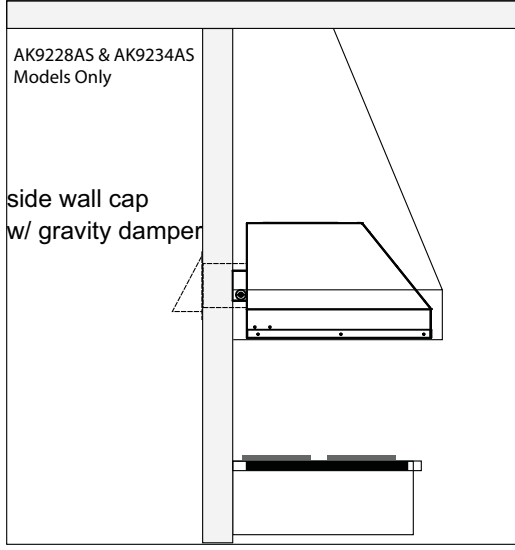
**WARNING FIRE HAZARD**

NEVER exhaust air or terminate duct work into spaces between walls, crawl spaces, ceiling, attics or garages. All exhaust must be ducted to the outside.

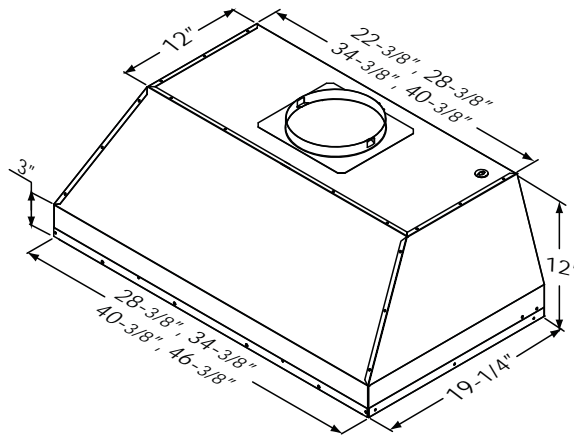
Use single wall rigid metal ductwork only.

Fasten all connections with sheet metal screws and tape all joints with certified Silver Tape or Duct Tape.

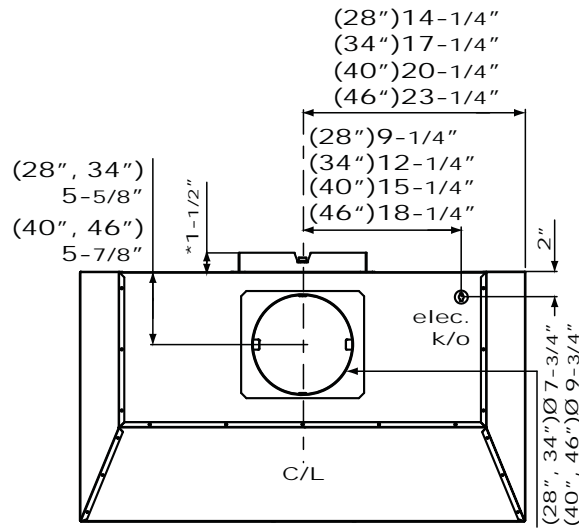
**Some Ducting Options**



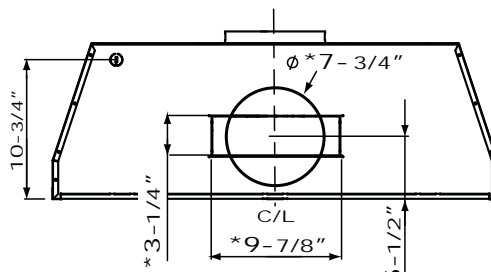
# Installation – Specifications



Front



Top



Back

\* Dimensions for 28" and 34" model sizes only

**ELECTRICAL  
WARNING**

**All Electrical work must be performed by qualified electrician or person with similar technical know how and background.**

For personal safety, remove house fuse or open circuit breaker before beginning installation. Do not use extension cord or adapter plug with this appliance.

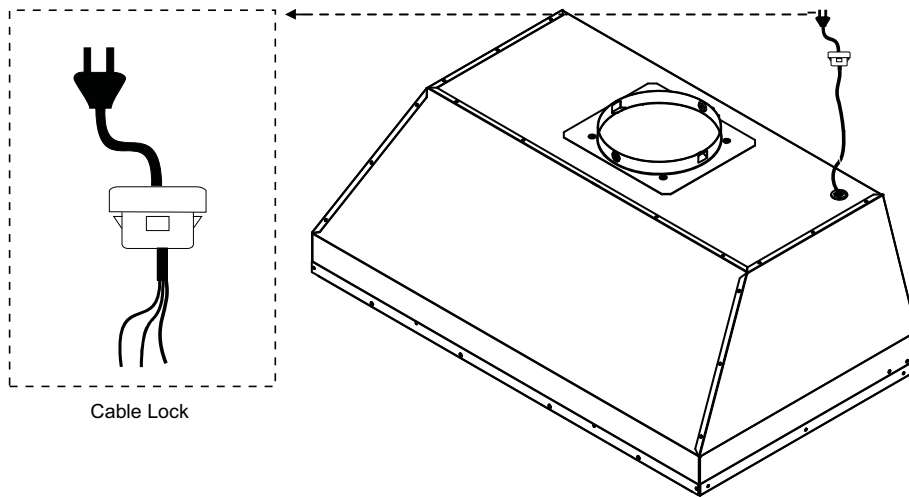
**Follow national electrical codes or prevailing local codes and ordinances.**

**Electrical Supply:**

This appliance requires a 120V 60Hz electrical supply, and connected to an individual, properly grounded branch circuit, protected by a 15 or 20 ampere circuit breaker or time delay fuse. Wiring must be 2 wire w/ ground. Please also refer Electrical Diagram labeled on product.

**Cable Lock:**

A cable locking connector (not supplied) might also be required by local codes. Check with local requirements and codes, purchase and install appropriate connector if necessary.



# Installation – Cabinet Preparation & Installation

**⚠ CAUTION:** At least two installers are required due to the weight and size of the liner.

If possible, power up and test all functions prior to installation.

1. Remove all packing materials and protective film prior to installation. Use caution during installation to prevent scratches or damage to the stainless steel.
2. Cut out an opening in the bottom of the cabinet by following the dimensions in FIG. 1. If ducting the one piece liner horizontally, also cut out an opening in the back of the cabinet (if applicable). FIG. 2.
3. Prepare liner for installation into cabinet by following the steps on page 11 for vertical ducting or pages 12 -14 for horizontal ducting. **Continue to Step 4 after preparation is completed.**
4. Lift liner into bottom opening of cabinet and secure to interior of cabinet using (8) #8 x 1/2" stainless steel screws; (4) screws in the front and (4) screws in the sides. FIG. 3.  
**WARNING:** Make sure the surface you are securing the liner to is capable of holding the weight of AK92. Failure to do so may cause personal injury or damage to cooking surface or counter.
5. Finalize installation of electrical and duct work. Seal duct work with certified aluminum duct tape. Power on liner, check for leaks around duct tape and verify proper operation.  
**NOTE:** If access to top of liner is not available after installation, electrical and duct work connection may need to be made prior to installing the liner.
6. Re-install the previously removed bottom panel, side spacer panels (if applicable), grease tray, and baffle filters.

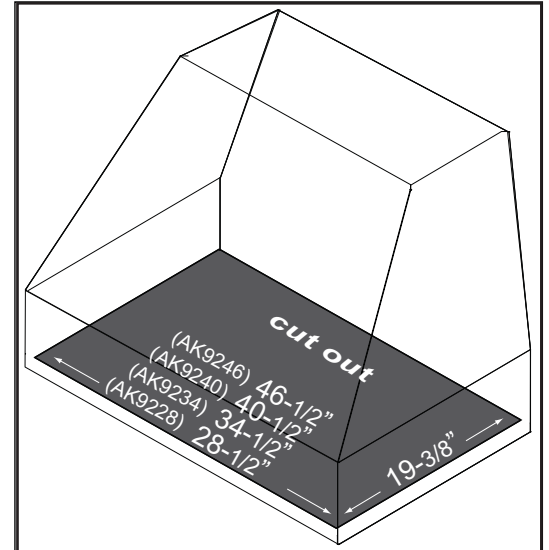


FIG. 1

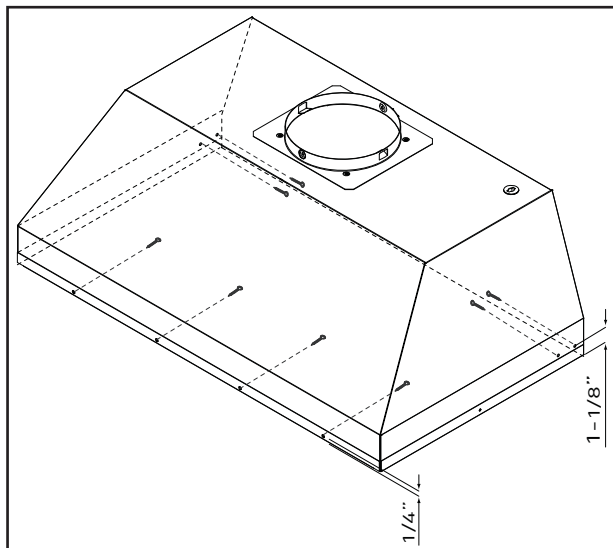


FIG. 3

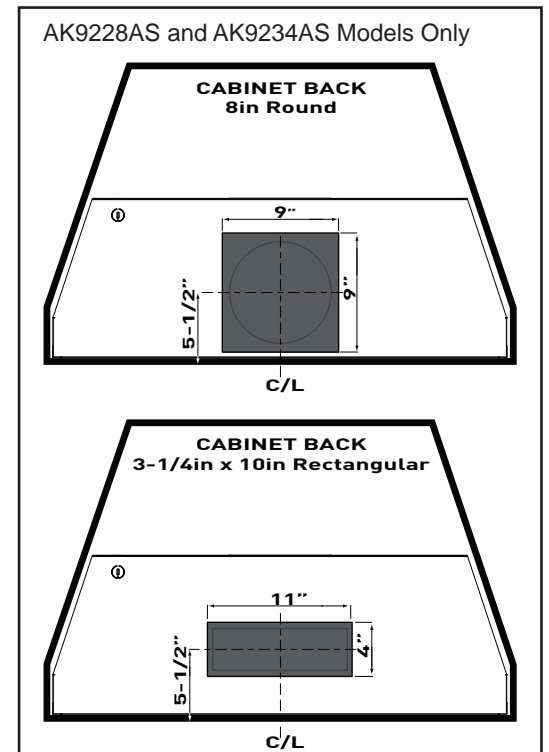
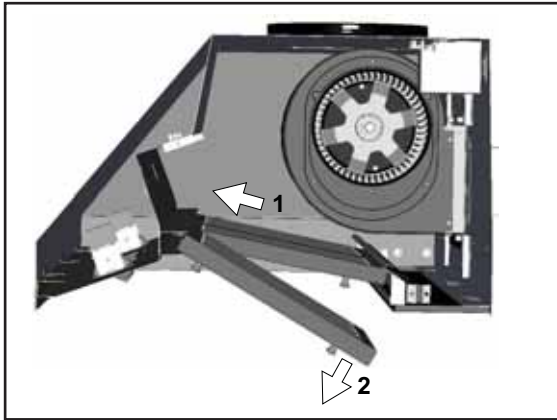
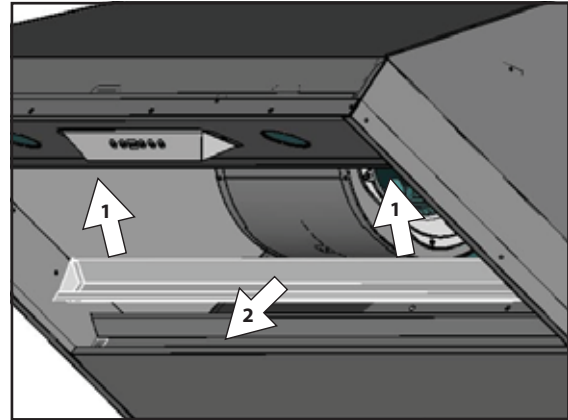


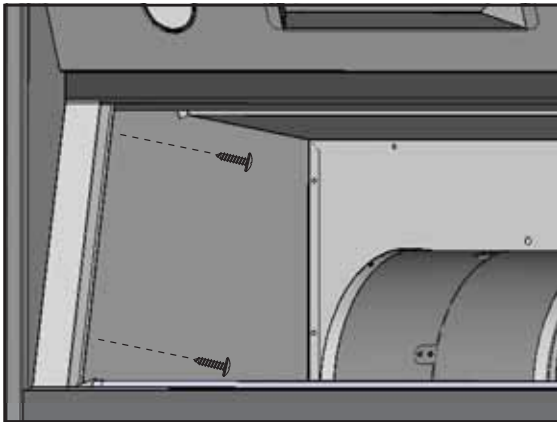
FIG. 2



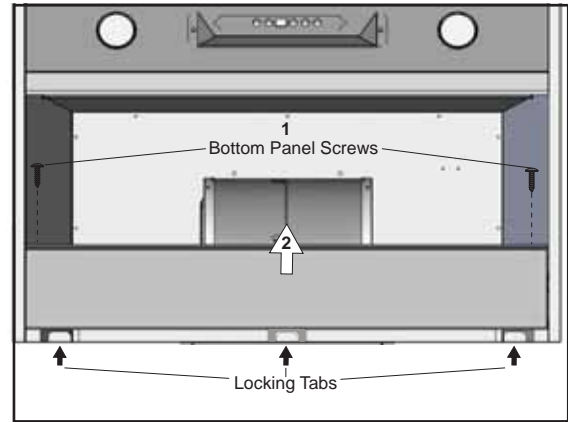
1. Remove baffle filters by: **1)** Pulling filter toward front of liner. **2)** Pivoting rear of filter down.



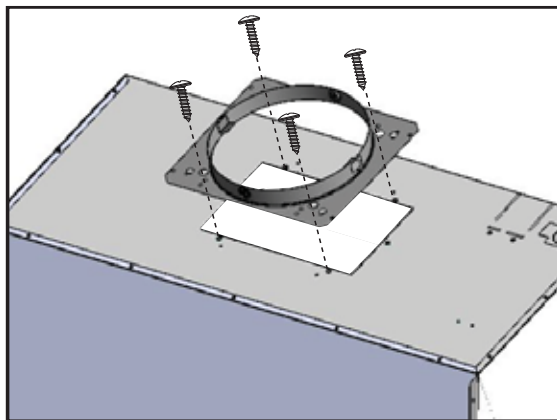
2. Remove grease tray by: **1)** Pulling up on tray to release from bottom panel. **2)** Lifting tray out of liner body.



3. (If applicable) Remove left and right side-spacer panels by removing (2) screws from behind each panel.



4. Remove bottom panel by: **1)** Removing (2) screws from left and right sides of bottom panel. **2)** Pulling bottom panel toward front of liner to release from locking tabs.



5. Secure 8" round adaptor or 10" round adaptor to top of liner by (4) M4 x 6mm screws.

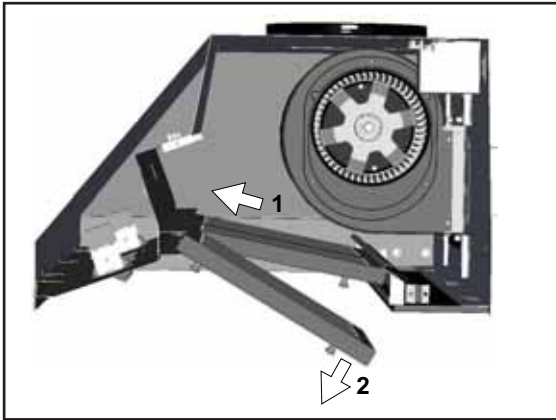


6. Vertical ducting preparation is complete. Refer to page 10, step 4 to complete installation.

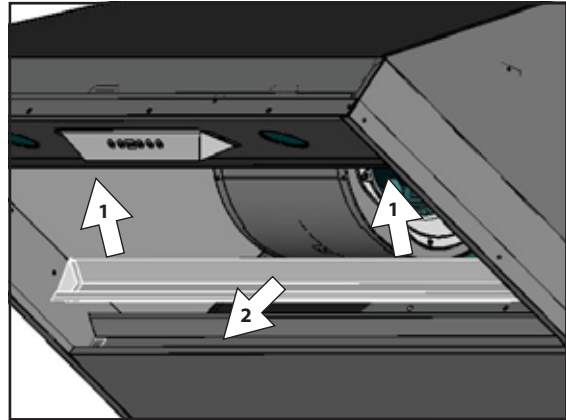
## Installation – Vertical Ducting Preparation

Installation – Horizontal Ducting Preparation

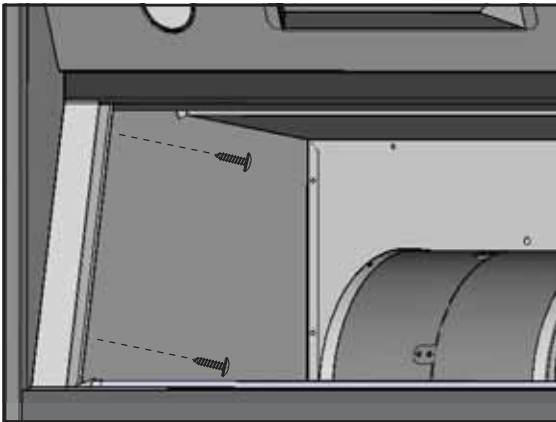
AK9228AS and AK9234AS Models Only



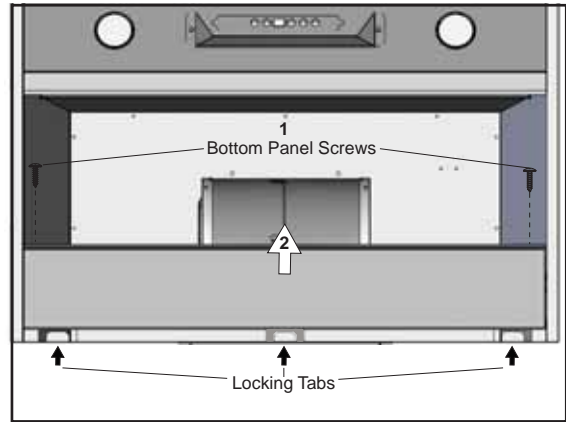
1. Remove baffle filters by: 1) Pulling filter toward front of liner. 2) Pivoting rear of filter down.



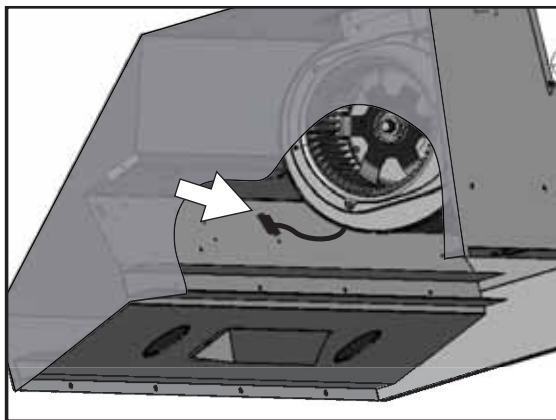
2. Remove grease tray by: 1) Pulling up on tray to release from bottom panel. 2) Lifting tray out of liner body.



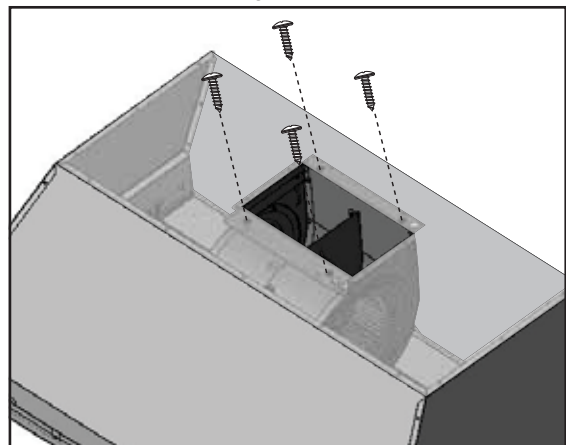
3. (AK9228AS Only) Remove left and right side-spacer panels by removing (2) screws from behind each panel.



4. Remove bottom panel by: 1) Removing (2) screws from left and right sides of bottom panel. 2) Pulling bottom panel toward front of liner to release from locking tabs.

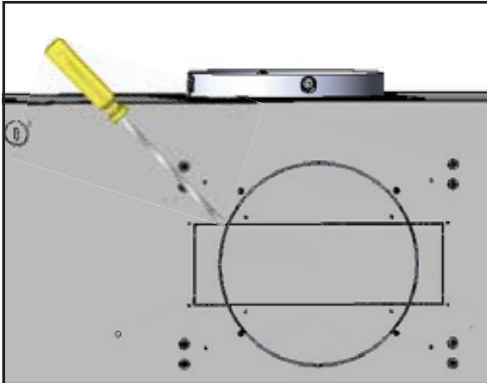


5. Disconnect blower mox plug.

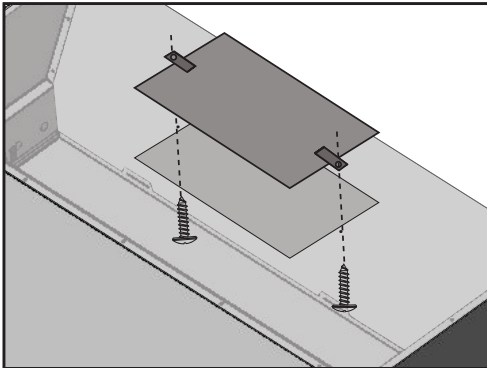


6. Remove blower from liner by removing the (4) 3/16" x 3/8" screws from the top of the liner. Set screws aside for later usage.

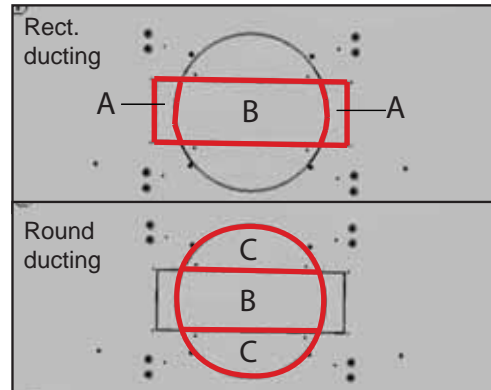
AK9228AS and AK9234AS Models Only



7. Using a flat head screwdriver, remove 8" round or 3 1/4"x10" rect. knock-out plates at the back of the liner.



9. Place top rectangular cover plate over opening on top of the liner. NOTE: Make sure the cover plate tabs are on top of the cover plate as shown. From inside the liner, secure plate to top of liner with (2) 3/16 x 3/8 screws.

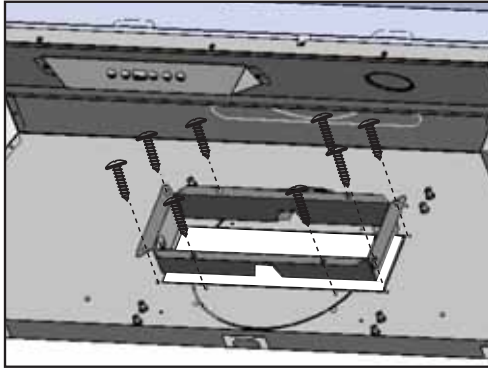


8. Remove knock-outs A and B for rectangular ducting. Remove knock outs B and C for round ducting.

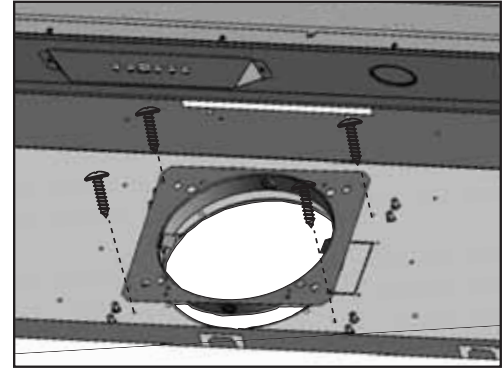
At this point, install the one piece liner into the cabinet by following the steps on Page 10, Step 4. After the liner installation, continue to page 14.

Installation – Horizontal Ducting Preparation

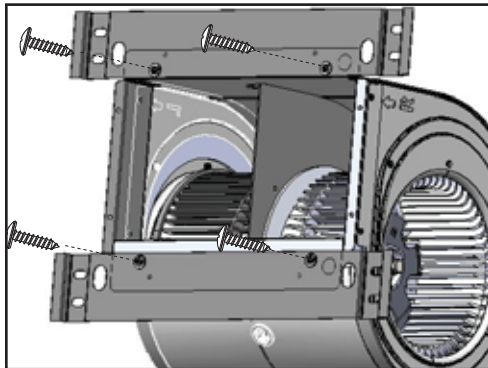
AK9228AS and AK9234AS Models Only



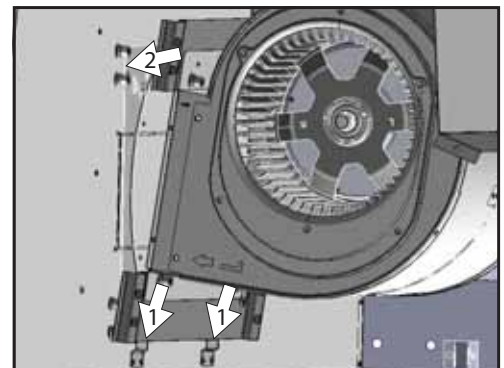
10. **(Rectangular Ducting)** From inside the liner, push 3-1/4" x 10" rectangular adaptor through the back knock-out and secure to interior back wall of liner with (8) M4 x 6mm screws.



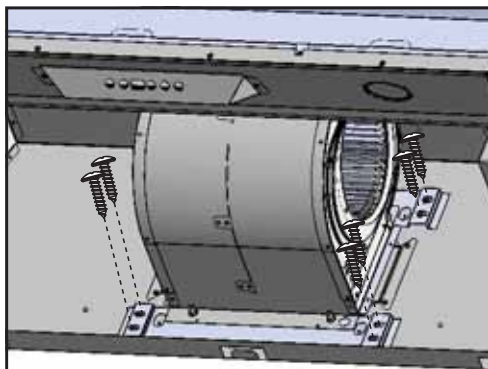
10. **(Round Ducting)** From inside the liner, push 8" round adaptor through the back knock-out and secure to interior back wall of liner with (4) M4 x 6mm screws.



11. Secure (2) horizontal ducting blower brackets to blower as shown above by using the (4) 3/16" x 3/8" screws previously removed from Page 12, Step 6; (2) screws for each bracket.



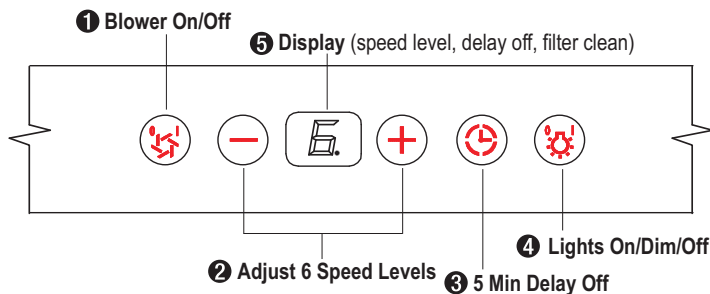
12. Position blower inside liner body as shown by: **1)** Rest the bottom horizontal ducting bracket on the two support clips located on the interior back wall of the liner. **2)** Pivot top horizontal ducting bracket to meet captive nuts on interior back wall.



13. Secure blower to captive nuts on interior back wall of liner with (8) 3/16" x 3/8" screws, (4) screws for each bracket. Seal any gaps around the knock-out plate by using certified aluminum duct tape. Plug in blower moxex plug.

Horizontal ducting preparation is now complete. Refer to Page 10, Step 5 to complete installation.





### 1. Blower On/Off

By pressing the blower is switched on and off. When switched on, the blower starts up on speed level 1.

#### ACT Verification

- Airflow Control Technology (ACT) allows the installer to set the maximum blower CFM to align with local codes and regulations.
- To verify the maximum blower CFM for AK9228AS and AK9234AS models:
  - With hood off, hold the button for 3-4 seconds. If number 6 displays = default max. CFM, if number 3 displays = max. 390 CFM, and if number 2 displays = max. 290 CFM.
- To verify the maximum blower CFM for AK9240AS and AK9246AS models:
  - With hood off, hold the button for 3-4 seconds. If number 6 displays = default max. CFM, if number 3 displays = max. 590 CFM, and if number 2 displays = max. 390 CFM.

### 2. Speed Selection

The 6 speed levels are selected by pressing to decrease and to increase speed levels. The display indicates levels selected.

#### ACT Enabled Speed Selections

- When ACT is enabled, the number of blower speeds will be reduced as follows:
 

AK9228AS & AK9234AS	AK9240AS & AK9246AS
- 390 CFM = Maximum 3 speeds	- 590 CFM = Maximum 3 speeds
- 290 CFM = Maximum 2 speeds	- 390 CFM = Maximum 2 speeds

### 3. Delay Off

This feature is used for programmed shut down of blower 5 minutes after the function is activated. Press once, a dot flashes in the lower right side of display indicating the function is on. The blower will completely shut down after 5 minutes.


### 4. Lights On/Dim/Off

Switch lights on by pressing once, press a second time to dim and again to shut off lights.


### 5. Display Window



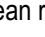
The display window indicates speed levels and features such as baffle filter clean reminder, delay off and clean air indicator.

**Baffle Filter Clean Reminder**

A set of baffle filters are fitted by the factory, these baffle filters are intended to filter out residue from cooking. The filters need not be replaced on a regular basis but are required to be kept clean. The Baffle-Filter Clean reminder function in the microprocessor will automatically indicate by a flashing  when the baffle filters need to be cleaned after every 30 hours of use. Filters can be cleaned by hand with non-abrasive soap or in a dishwasher. Heavily soiled filters should also be soaked in grease cutting detergent prior to cleaning.

**Baffle Filter Clean Indicator**

When  flashes on the display, the baffle filters need to be cleaned. This will occur after every 30 hours of use.

Reset the filter clean reminder timer after filters are cleaned and re-installed. With hood off, press and hold  for approximately 5 seconds until  on display disappears . The filter clean reminder function is now reset and a new 30 hours elapse cycle is initiated.

**Clean Filters**

display < F > flashes


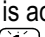
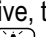
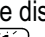
**To Reset**

hold 5 sec. display from < F > to < >

**Clean Air Function**

Clean Air is a feature that turns on the blower on low speed every 4 hours for 10 minutes to remove stagnant air in the kitchen. The Clean Air function is disabled by default and must be enabled by the user.

**Clean Air Indicator**

While Clean Air is active, the display will alternate between , , , .

After 10 minutes of Clean Air operation, the blower will power off and the 4 hour timer will reset.

If the blower speed is changed while the Clean Air Function is in use, the cycle will be interrupted and the timer will reset after.

**To Enable**

hold 3 sec. display < A > flashes

**To Disable**

hold 3 sec. display from < A > to < >

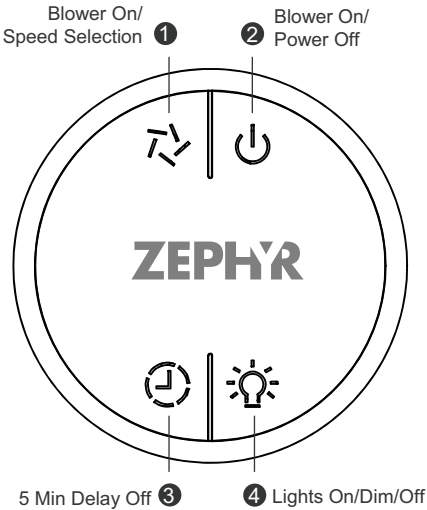


**FCC Caution:** To assure continued compliance, any changes or modifications not expressly approved by the party responsible for compliance could void the user's authority to operate this equipment. (Example - use only shielded interface cables when connecting to computer or peripheral device. This device complies with Part 15 of the FCC Rules. Operation is subject to the following two conditions. (1) This device may not cause harmful interference, and (2) This device must accept any interference received, including interference that may cause undesired operation. This remote control may operate in humid environments, but not when placed on a wet surface.

**SYNCHRONIZATION:** To create a unique link between your liner and remote control please follow these steps:

1. With liner off, press and hold the "lights" button on the liner until the letter "F" shows on the display screen.
2. Press the "lights" button on the remote, the lights on the liner will turn on and synchronization is complete.

**RF REMOTE FUNCTIONS:**



**1 Blower On / Speed Selection**

Press to power on blower and cycle through all six blower speeds.

**2 Blower On / Power Off**

By pressing , the blowers will power on at the last speed setting. Press again and the entire hood will power off, including lights.

**3 Delay Off**

By pressing , the blower and lights will enter Delay Off mode. A dot will appear in the lower right corner of the liner display indicating the function is on. The blower will change to speed 1 and shut down after 5 minutes.

**4 Lights On / Dim / Off**

Switch lights On by pressing once, again to dim and again to switch Off.

**RF REMOTE FEATURES:**

The RF remote control is equipped with a magnet on the back for easy storage. The remote may be placed on any magnetic surface such as a refrigerator or the Zephyr remote holder, FIG. 4. The remote holder can be inserted into a standard electrical outlet for easy storage. Note: The remote holder does not charge the RF remote.

Maximum remote control communication distance is 15 feet from the liner.

**RF REMOTE MAINTENANCE:**

Clean the remote control using non abrasive detergents

**Follow instructions below for replacing battery.**

Using a small flat head screwdriver, raise the cover of the battery door (A) in order to access the battery compartment. FIG. 5.

Remove the battery and replace with battery type **A23 12V**. Negative end of battery should face the spring inside the remote.

Re-install battery door and recycle old battery.

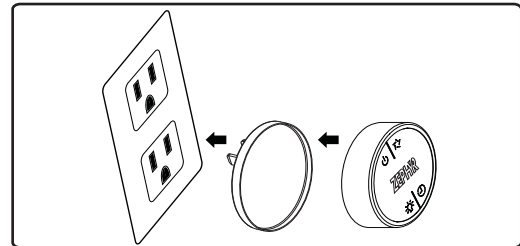


FIG. 4

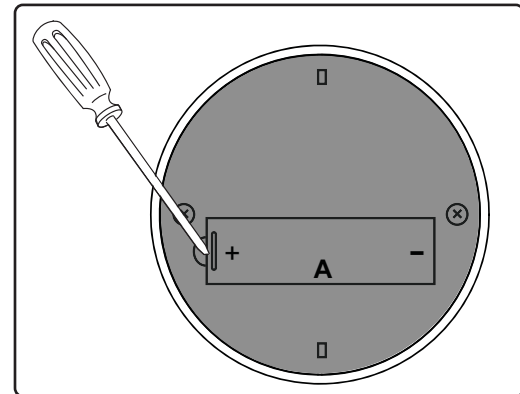


FIG. 5


**SURFACE MAINTENANCE:**

Clean periodically with hot soapy water and clean cotton cloth. Do not use corrosive or abrasive detergent, or steel wool/ scoring pads which will scratch and damage surface. Do not use products containing chlorine bleach or orange cleaners.

For heavier soil use liquid degreaser.

After cleaning, you may use non-abrasive stainless steel polish/ cleaners, to polish and buff out the stainless luster and grain. Always scrub lightly using a micro fiber or clean cotton cloth and with the grain.

**Cleaning the Baffle Filters**

The filters are intended to trap residue and grease from cooking. Although the filters should never need replacing, they are required to be cleaned every 30 days or when the Clean Filter Indicator is illuminated on the liner controls .

Filters may be placed in dishwasher at low heat or soaked in hot soapy water. Dry filters and re-install before using hood.

**Installing the Baffle Filters, FIG. 6:**

1. Place filter into top groove of the liner as shown and pull towards front of liner using handles.
2. Pivot back of filter upwards so it is angled in the liner.
3. Push filter into channel on back of liner to lock into place.

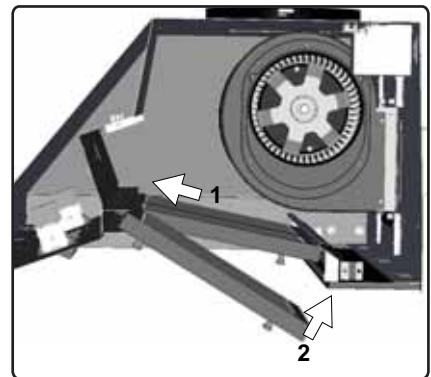


FIG. 6

**Cleaning the Grease Tray**

The grease tray is intended to catch residue and grease that may drip from the baffle filters. The grease tray should be cleaned when baffle filters are cleaned. Clean the grease tray by soaking in hot soapy water and gently scrubbing any residue off with a soft terry cloth. Dry grease tray and re-install before using hood.

**Removing the Grease Tray**

Grease tray has a hooked lip that attaches to bottom panel top edge.

Remove grease tray by:

1. Pull up on tray to release from bottom panel. FIG. 7-1
2. Pull tray out of liner body. FIG. 7-2

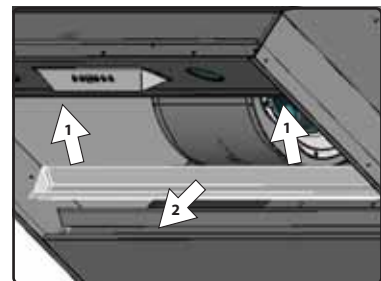


FIG. 7

## REPLACING LIGHT BULBS

**CAUTION:** Light bulb becomes extremely hot when turned on.

**DO NOT touch bulb until switched off and cooled. Touching hot bulbs could cause serious burns.**

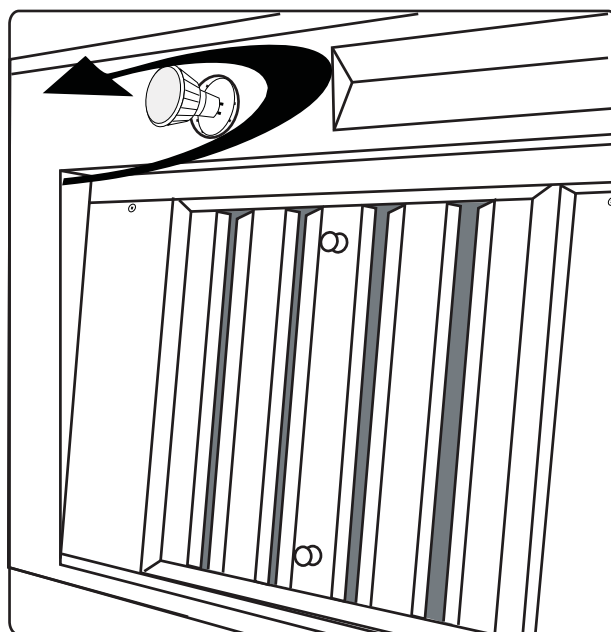
Make sure all power is turned off and bulbs are not hot.

Remove by turning bulb counter clockwise. **Note:** Bulb does not unscrew; it turns 60 degrees, stops and falls out.

If bulbs are difficult to turn due to prolonged use, firmly attach the glass suction cup provided to the bulb or use a rubber/latex glove and turn counter clockwise.

Replacement bulbs are available at specialty lighting stores. Purchase type MR16 (GU-10) 35W halogen.

For Zephyr part numbers please turn to page 26 of the manual.



Bottom View

# ACT Conversion

## Airflow Control Technology (ACT)

Some local codes limit the maximum amount of CFM a range hood can move. ACT allows you to control the maximum blower CFM of select Zephyr Ventilation range hoods without the need for expensive make up air kits. ACT enables the installer to easily set the maximum blower speed to one of the most commonly specified CFM levels; AK9228AS & AK9234AS - 290 or 390 CFM, AK9240AS & AK9446AS - 590 or 390 CFM. The usage of ACT may not be necessary for your installation. Please check your local codes for CFM restrictions.

**By default the maximum blower CFM is set to 600 for AK9228AS & AK9234AS and 1200 for AK9240AS & AK9246AS.**



### CAUTION:

Hood must be disconnected from main power prior to performing the conversion instructions listed below. Failure to do so could result in personal injury or damage to the product.

### To enable ACT

1. Before hood installation, gain access to PC board by following the steps shown in FIG. 8.
2. Change plastic jumper positioning as shown in FIG. 9 to set the desired maximum blower CFM.
3. Re-install PC board & continue with hood installation.
4. Remove the appropriate foil CFM sticker included with the hood literature and place inside the hood body below the wiring diagram or in another clearly visible location.

**NOTE:** After re-positioning the jumper and powering on the hood, the CFM cannot be changed again.

### To verify if your installer enabled ACT for AK9228AS & AK9234AS

With hood off, press and hold the power button for three seconds. If the number 6 displays = default max. CFM, if the number 3 displays = max. 390 CFM, and if the number 2 displays = max. 290 CFM.

### To verify if your installer enabled ACT for AK9240AS & AK9246AS

With hood off, press and hold the power button for three seconds. If the number 6 displays = default max. CFM, if the number 3 displays = max. 590 CFM, and if the number 2 displays = max. 390 CFM.

When ACT is enabled, the number of blower speeds will be reduced.

AK9228AS & AK9234AS - 390 CFM = max. 3 speeds and 290 CFM = max. 2 speeds.

AK9240AS & AK9246AS - 590 CFM = max. 3 speeds and 390 CFM = max. 2 speeds.

There should also be a foil label located inside the hood body near the wiring diagram that indicates the blower CFM.

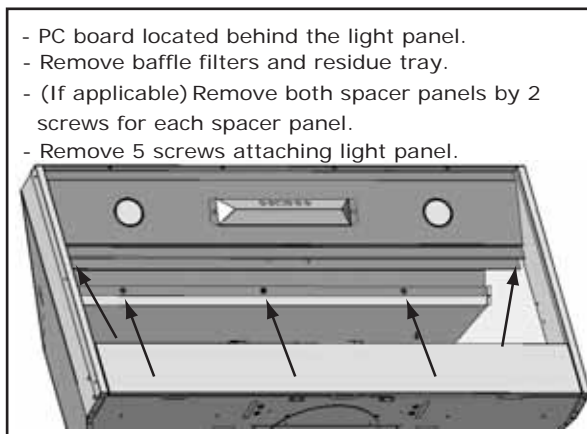


FIG. 8

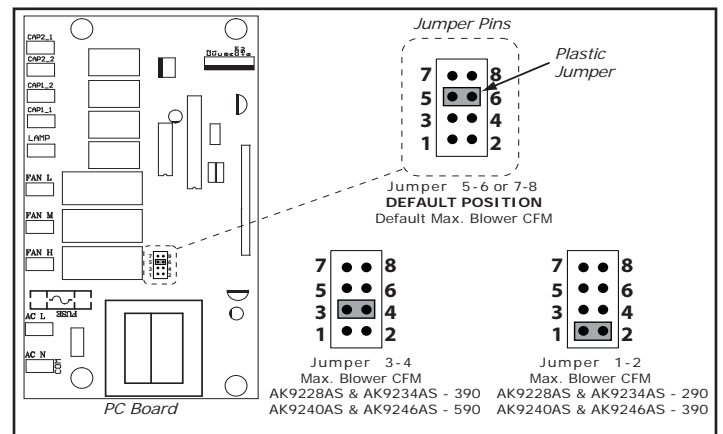


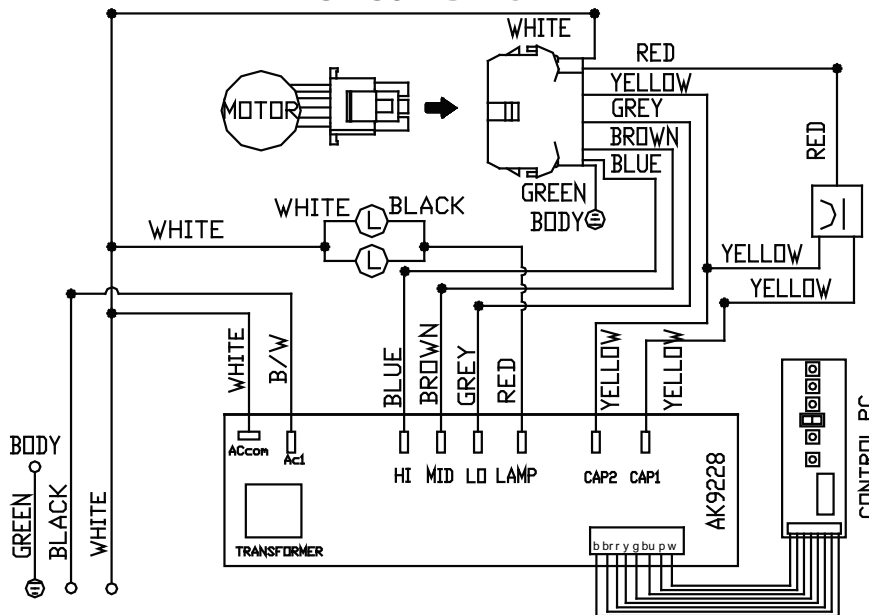
FIG. 9

AK9228AS and AK9234AS Models Only

USE ONLY TYPE MR16, GU10, 35 W. **MAX.** HALOGEN LIGHT BULBS.

AK9228AS, AK9234AS	VOLTS	HZ	MAX AMPS
	120	60	5

CIRCUIT DIAGRAM



REMARKS: CONDENSER 11+11uF 250VAC FIT AC120V 60Hz

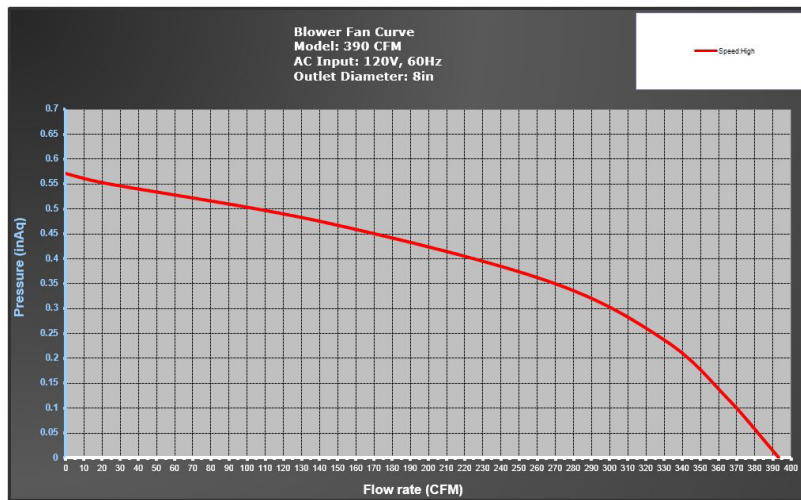
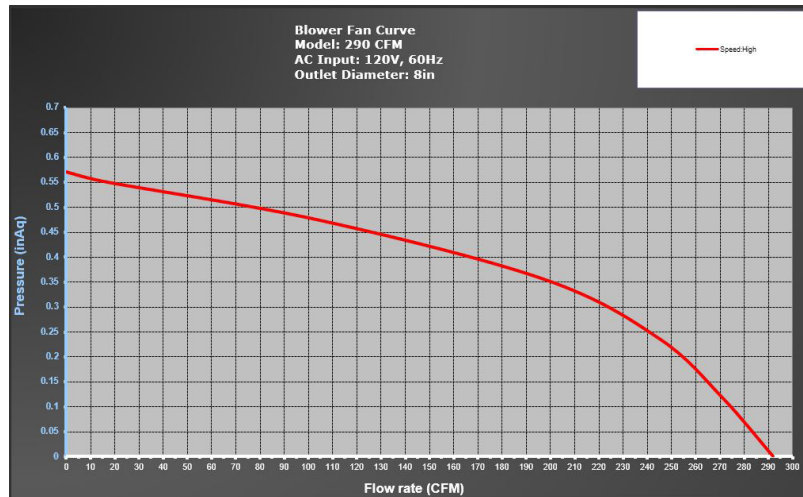
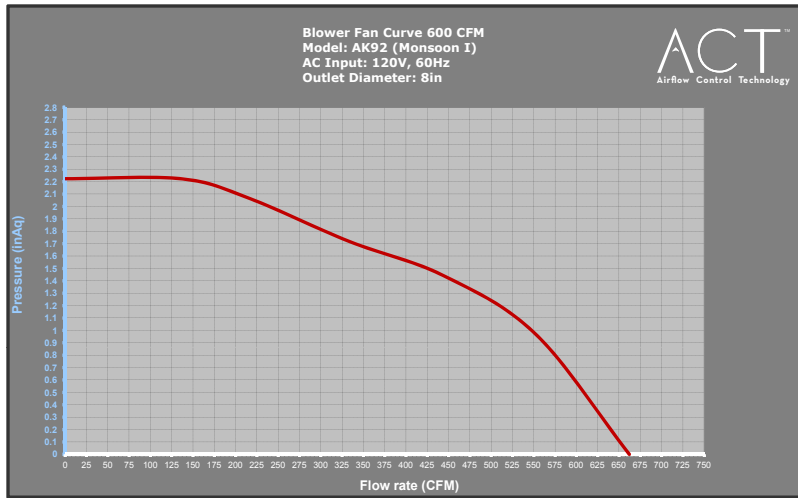
ACT 390 CFM - Fan Max. 355W @ 3.0A

ACT 290 CFM - Fan Max. 255W @ 2.4A

Fan Curve & Wiring Diagrams

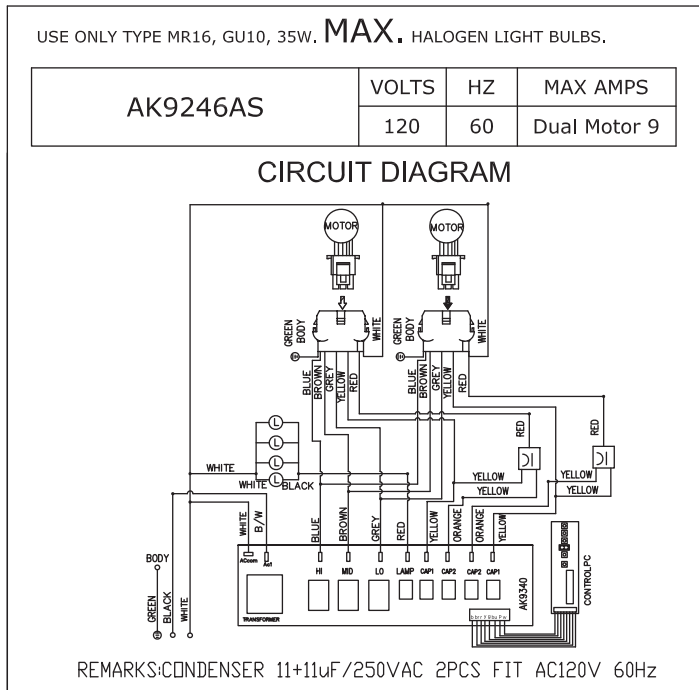
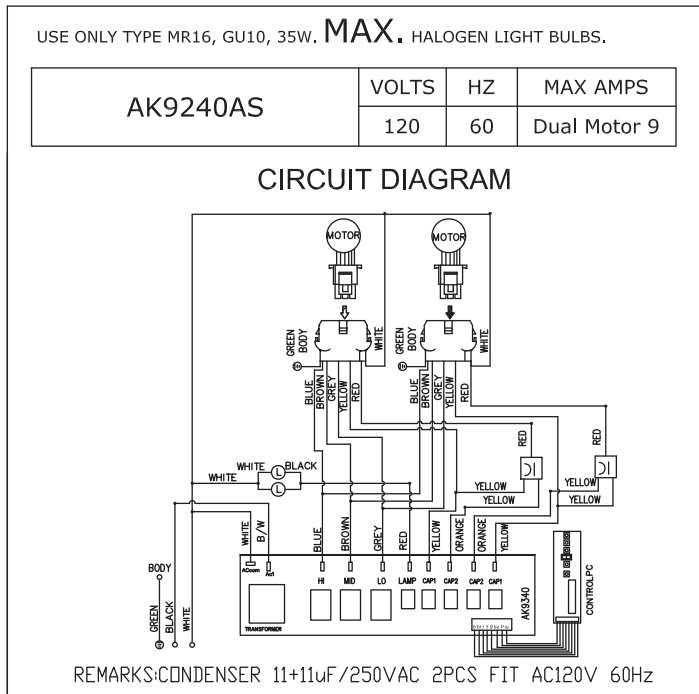
Fan Curve & Wiring Diagrams

AK9228AS and AK9234AS Models Only





**AK9240AS and AK9246AS Models Only**

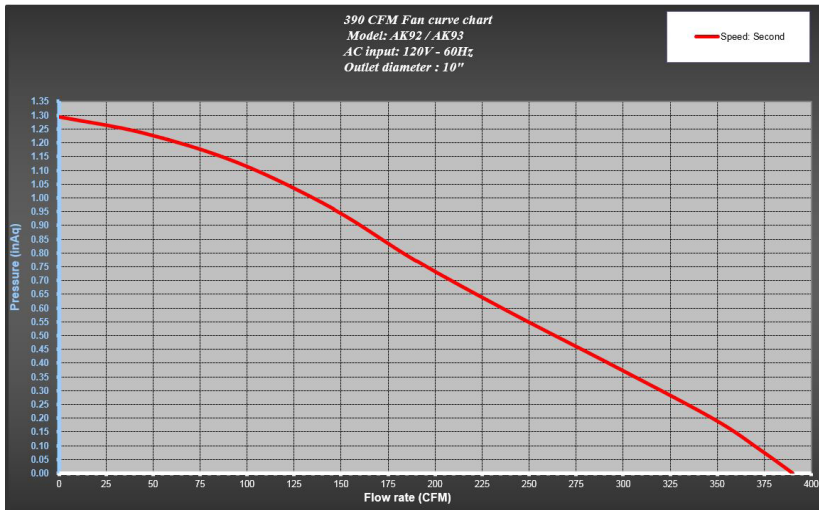
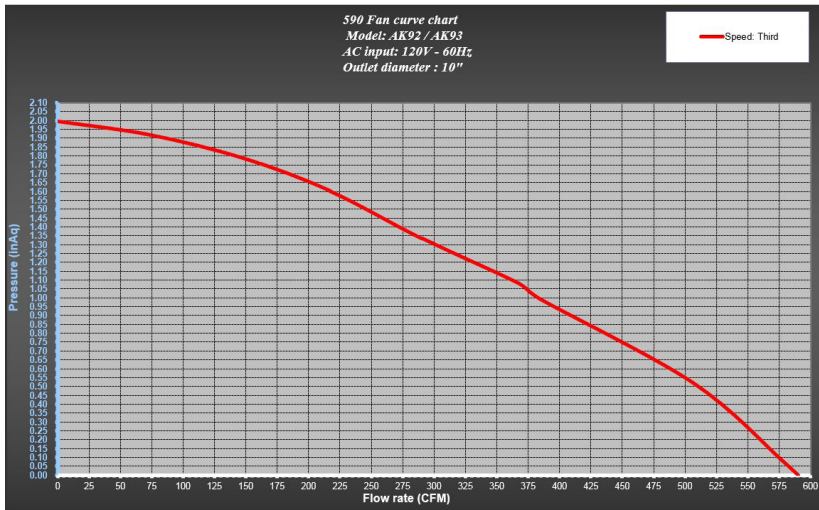
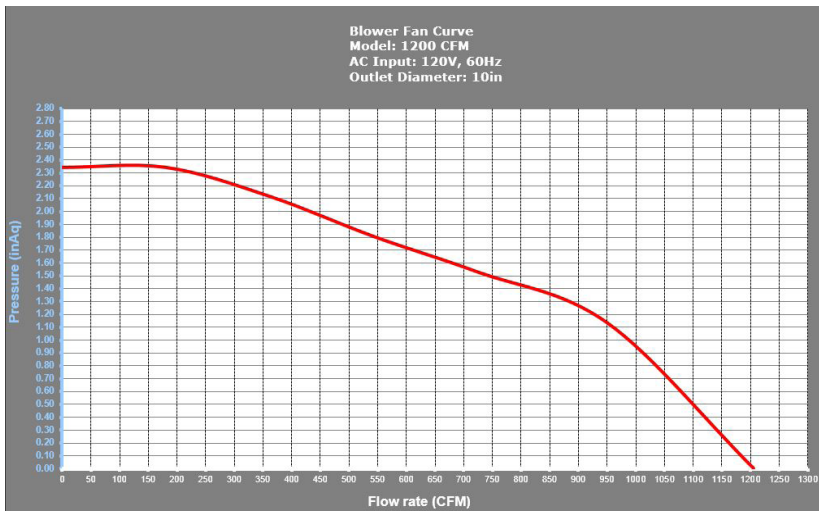


ACT 590 CFM - Fan Max. 556W @ 4.6A

ACT 390 CFM - Fan Max. 381W @ 3.4A

# Fan Curve & Wiring Diagrams

## AK9240AS and AK9246AS Models Only



## TROUBLESHOOTING PROCEDURES FOR MONSOON I

Issue	Cause	What to do
After installation, the unit doesn't work.	1. The power source is not turned ON.	1. Make sure the circuit breaker and the unit's power is ON.
	2. The power line and the cable locking connector is not connecting properly.	2. Check the power connection with the unit is connected properly.
	3. The switch board and control board wires are disconnected.	3. Make sure the wires between the switch board and control board are connected properly.
	4. The wires on control board are loose.	4. Make sure the wires on the control board are connected properly.
	5. The switch board or control board is defective.	5. Change the switch board or control board.
Light works, but blower is not turning.	1. The blower wire is not connected.	1. Make sure the blower wire is plugged into the molex connector.
	2. The thermally protected system detects if the blower is too hot to operate and shuts the blower down.	2. The blower will function properly after the thermally protected system cool down.
	3. Damaged capacitor.	3. Change the capacitor.
	4. Blower molex plug pin is not making contact.	4. Disconnect the blower molex plug, check pins inside plug to see if pin is pushed inside the plug too far. Reseat pin if needed.
	5. The blower is defective, possibly seized.	5. Change the blower.
The unit is vibrating.	1. The blower is not secure in place.	1. Tighten the blower in place.
	2. The liner is not secured in place.	2. Check the installation of the liner.
	3. Damaged blower wheel.	3. Change the blower.
The unit is whistling.	1. A filter is not in the correct position.	1. Adjust the filters until the whistling stops.
	2. The duct pipe connections are not sealed or connected properly.	2. Check the duct pipe connections to be sure all connections are sealed properly.
The blower is working, but the lights are not.	1. The light bulb is loose.	1. Tighten the bulb and make sure it's secure.
	2. Defective halogen bulb.	2. Change the halogen bulb.
	3. The light bulb plug is disconnected.	3. Connect the light bulb plug.
The hood is not venting out properly.	1. The hood might be hanging too high from the cook top.	1. Adjust the distance between the cook top and the bottom of the hood within 26" and 36" range.
	2. Wind from an opened window or opened doors in the surrounding area are affecting the ventilation of the hood.	2. Close all the windows and doors to eliminate outside wind flow.
	3. Blockage in the duct opening or duct work.	3. Remove all the blocking from the duct work or duct opening.
	4. The direction of duct opening is against the wind.	4. Adjust the duct opening direction.
	5. Using the wrong size of ducting.	5. Change the ducting to correct size.
Filter is vibrating.	1. Filter is loose.	1. Adjust or change the filter.
	2. Spring clip is broken on the filter.	2. Change the spring clip.
RF Remote control does not work	1. Battery is dead.	1. Replace battery with type A23 12v.
	2. Poor communication with the liner.	2. Remote control must be within 15 ft of liner.
	3. RF remote lost communication with the liner.	3. Reset liner and remote by switching power off at the circuit breaker for 5 minutes. Place remote on counter top near the liner and switch the circuit breaker back on.

## List of Parts and Accessories

<b>DESCRIPTION</b>	<b>PART #</b>
<b>Replacement Parts</b>	
Light Bulb MR16 (GU10) 35W (each)	Z0B-0023
Baffle Filter, Large (each)	50210013
Baffle Filter, Small (each)	50210017
RF Remote Control	14000005

To order parts, visit us online at <http://store.zephyronline.com> or call us at 1.888.880.8368



**STAPLE YOUR RECEIPT HERE**  
**Proof of the original purchase date is needed to obtain service under warranty**

**TO OBTAIN SERVICE UNDER WARRANTY OR FOR ANY SERVICE RELATED QUESTIONS, please call: 1-888-880-8368**

Zephyr Ventilation, LLC (referred to herein as “we” or “us”) warrants to the original consumer purchaser (referred to herein as “you” or “your”) of Zephyr products (the “Products”) that such Products will be free from defects in materials or workmanship as follows:

**Three Year Limited Warranty for Parts:** For three years from the date of your original purchase of the Products, we will provide, free of charge, Products or parts (including LED light bulbs, if applicable) to replace those that failed due to manufacturing defects. We may choose, in our sole discretion, to repair or replace parts before we elect to replace the Products.

**One Year Limited Warranty for Labor:** For one year from the date of your original purchase of the Products, we will provide, free of charge, the labor cost associated with repairing the Products or parts to replace those that failed due to manufacturing defects. After the first year from the date of your original purchase, you are responsible for all labor costs associated with this warranty.

**Warranty Exclusions:** This warranty covers only repair or replacement, at our option, of defective Products or parts and does not cover any other costs related to the Products including but not limited to: (a) normal maintenance and service required for the Products and consumable parts such as fluorescent, incandescent or halogen light bulbs, mesh and charcoal filters and fuses; (b) any Products or parts which have been subject to freight damage, misuse, negligence, accident, faulty installation or installation contrary to recommended installation instructions, improper maintenance or repair (other than by us); (c) commercial use of the Products or use otherwise inconsistent with its intended purpose; (d) natural wear of the finish of the Products or wear caused by improper maintenance, use of corrosive and abrasive cleaning products, pads, and oven cleaner products; (e) chips, dents or cracks caused by abuse or misuse of the Products; (f) service trips to your home to teach you how to use the Products; (g) damage to the Products caused by accident, fire, floods, acts of God; or (h) Custom installations or alterations that impact serviceability of the Products. If you are outside our service area, additional charges may apply for shipping costs for warranty repair at our designated service locations and for the travel cost to have a service technician come to your home to repair, remove or reinstall the Products. After the first year from the date of your original purchase, you are also responsible for all labor costs associated with this warranty.

**Limitations of Warranty. OUR OBLIGATION TO REPAIR OR REPLACE, AT OUR OPTION, SHALL BE YOUR SOLE AND EXCLUSIVE REMEDY UNDER THIS WARRANTY. WE SHALL NOT BE LIABLE FOR INCIDENTAL, CONSEQUENTIAL OR SPECIAL DAMAGES ARISING OUT OF OR IN CONNECTION WITH THE USE OR PERFORMANCE OF THE PRODUCTS. THE EXPRESS WARRANTIES IN THE PRECEDING SECTION ARE EXCLUSIVE AND IN LIEU OF ALL OTHER EXPRESS WARRANTIES. WE HEREBY DISCLAIM AND EXCLUDE ALL OTHER EXPRESS WARRANTIES FOR THE PRODUCTS, AND DISCLAIM AND EXCLUDE ALL WARRANTIES IMPLIED BY LAW, INCLUDING THOSE OF MERCHANTABILITY AND FITNESS FOR A PARTICULAR PURPOSE.** Some states or provinces do not allow limitations on the duration of an implied warranty or the exclusion or limitation of incidental or consequential damages, so the above limitations or exclusions may not apply to you. To the extent that applicable law prohibits the exclusion of implied warranties, the duration of any applicable implied warranty is limited to the same two-year period described above. Any oral or written description of the Products is for the sole purpose of identifying the Products and shall not be construed as an express warranty. Prior to using, implementing or permitting use of the Products, you shall determine the suitability of the Products for the intended use, and you shall assume all risk and liability whatsoever in connection with such determination. We reserve the right to use functionally equivalent refurbished or reconditioned parts or Products as warranty replacements or as part of warranty service. This warranty is not transferable from the original purchaser and applies in the United States and Canada.

**To Obtain Service Under Limited Warranty:** To qualify for warranty service, you must: (a) notify us at the address or telephone number stated below within 60 days of the discovery of the defect; (b) give the model number and part identification number and serial number; and (c) describe the nature of any defect in the Product or part. At the time of the request for warranty service, you must present evidence of your proof of purchase and proof of the original purchase date. If we determine that the warranty exclusions listed above apply or if you fail to provide the necessary documentation to obtain service, you will be responsible for all shipping, travel, labor and other costs related to the services.

Please check our website for any revisions, [www.zephyronline.com](http://www.zephyronline.com).

**Zephyr Ventilation Service Department, 2277 Harbor Bay Parkway, Alameda, CA 94502 1-888-880-8368**

AUG14.0401

# PRODUCT REGISTRATION

Congratulations on your Zephyr range hood purchase! Please take a moment to register your new range hood at [www.zephyronline.com/registration](http://www.zephyronline.com/registration)

## IT'S IMPORTANT

Prompt registration helps in more ways than one.

- Ensures warranty coverage should you need service.
- Ownership verification for insurance purposes.
- Notification of product changes or recalls.



Zephyr Ventilation | 2277 Harbor Bay Pkwy. | Alameda, CA 94502 | 1.888.880.8368