

ASSEMBLY INSTRUCTIONS
COASTER FINE FURNITURE



Fine Furniture for every stage of life

959625
ACCENT CABINET

ITEM: 959625



ASSEMBLY INSTRUCTIONS

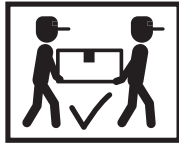
ASSEMBLY TIPS:

1. Remove hardware from box and sort by size.
2. Please check to see that all hardware and parts are present prior to start of assembly.
3. Please follow attached instructions in the same sequence as numbered to assure fast & easy assembly.



WARNING!

1. Don't attempt to repair or modify parts that are broken or defective. Please contact the store immediately.
2. This product is for home use only and not intended for commercial establishments.

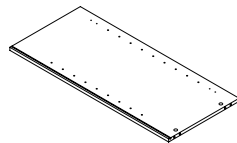


ASSEMBLY TIME

50 MINUTES

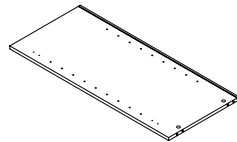
PARTS IDENTIFICATION

A LEFT SIDE
PANEL



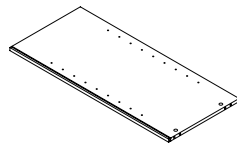
1 PC

B RIGHT SIDE
PANEL



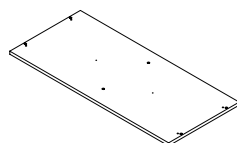
1 PC

C MIDDLE DIVIDER
PANEL



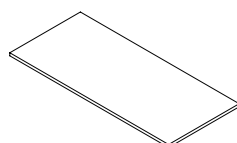
1 PC

D BOTTOM PANEL



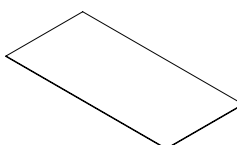
1 PC

E TOP PANEL



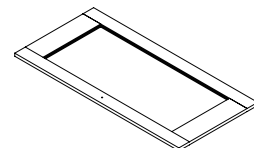
1 PC

F BACK PANEL



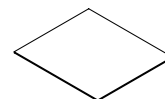
2 PCS

G GLASS DOOR



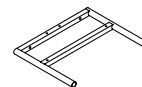
2 PCS

H GLASS



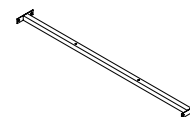
4 PCS

I LEG FRAME



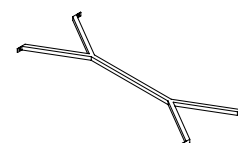
2 PCS

J UPPER
CROSSBAR



1 PC

K LOWER
CROSSBAR

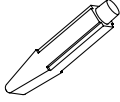

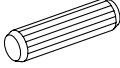

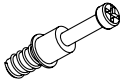
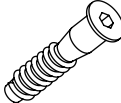



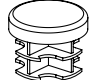
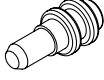

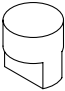



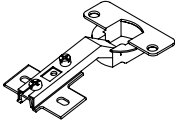
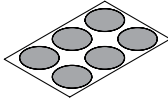


1 PC

NOTE:

Phillips head screw driver is required in the assembly process; however, manufacturer does not provide this item.

HARDWARE IDENTIFICATION

Z							
NO	DESCRIPTION	FIGURE	Q'TY	NO	DESCRIPTION	FIGURE	Q'TY
1	GLUE 15g		1 PC	10	HINGE SCREW Ø4x15mm SR		16 PCS
2	WOODEN DOWEL Ø8x30mm		12 PCS	11	BOLT M6x15mm BLK		8 PCS
3	CAM BOLT Ø7x35.5mm SR		6 PCS	12	BOLT Ø7x32mm BLK		4 PCS
4	CAM LOCK Ø15x12mm SR		6 PCS	13	SCREW Ø5x35mm BLK		2 PCS
5	SCREW Ø4.5x42mm SR		6 PCS	14	FLOOR PROTECTOR Ø20mm		4 PCS
6	PIN Ø5x20.5mm SR		16 PCS	15	ALLEN WRENCH 4mm SR		1 PC
7	HANDLE		2 PCS	16	FIXER		6 PCS
8	HANDLE BOLT Ø4x25mm BLK		2 PCS	17	FIXER SCREW Ø3x19mm SR		6 PCS
9	HINGE Ø35mm SR		4 PCS	18	STICKER Ø20mm		1 PC

Z9 not included in blister packaging.

NOTE:

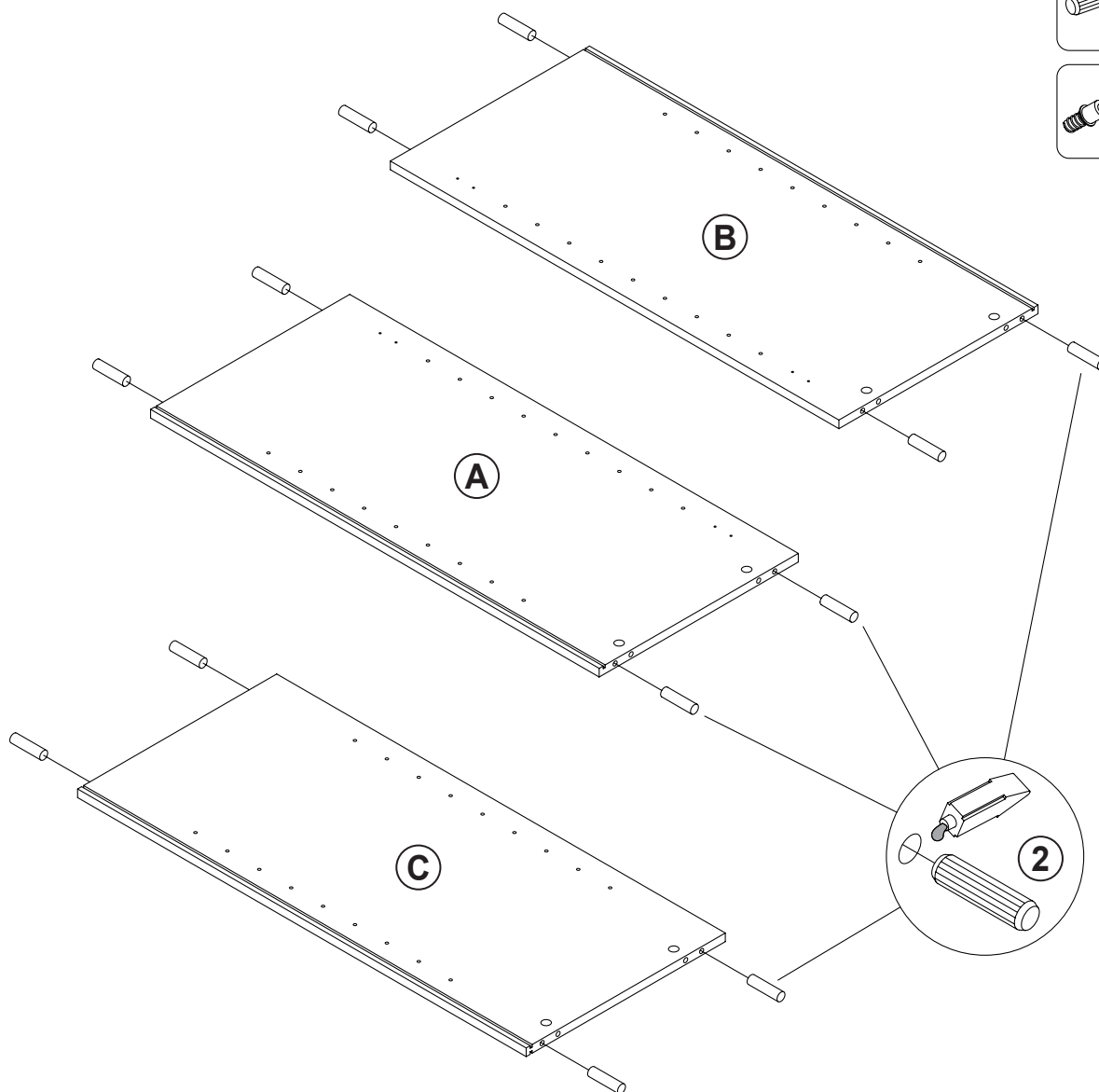
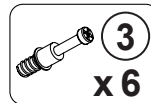
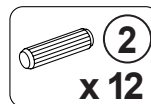
Phillips head screw driver is required in the assembly process; however, manufacturer does not provide this item.

ITEM: 959625

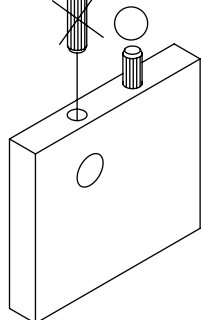
COASTER[®]

FINE FURNITURE

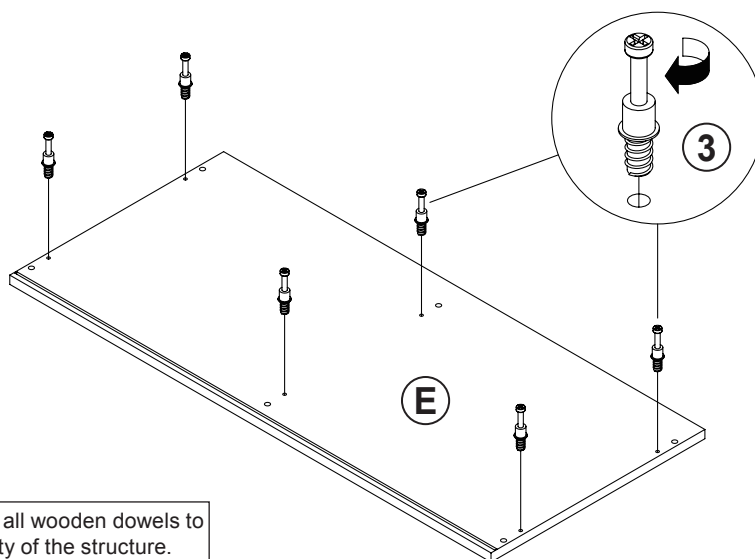
STEP 1



INCORRECT
CORRECT



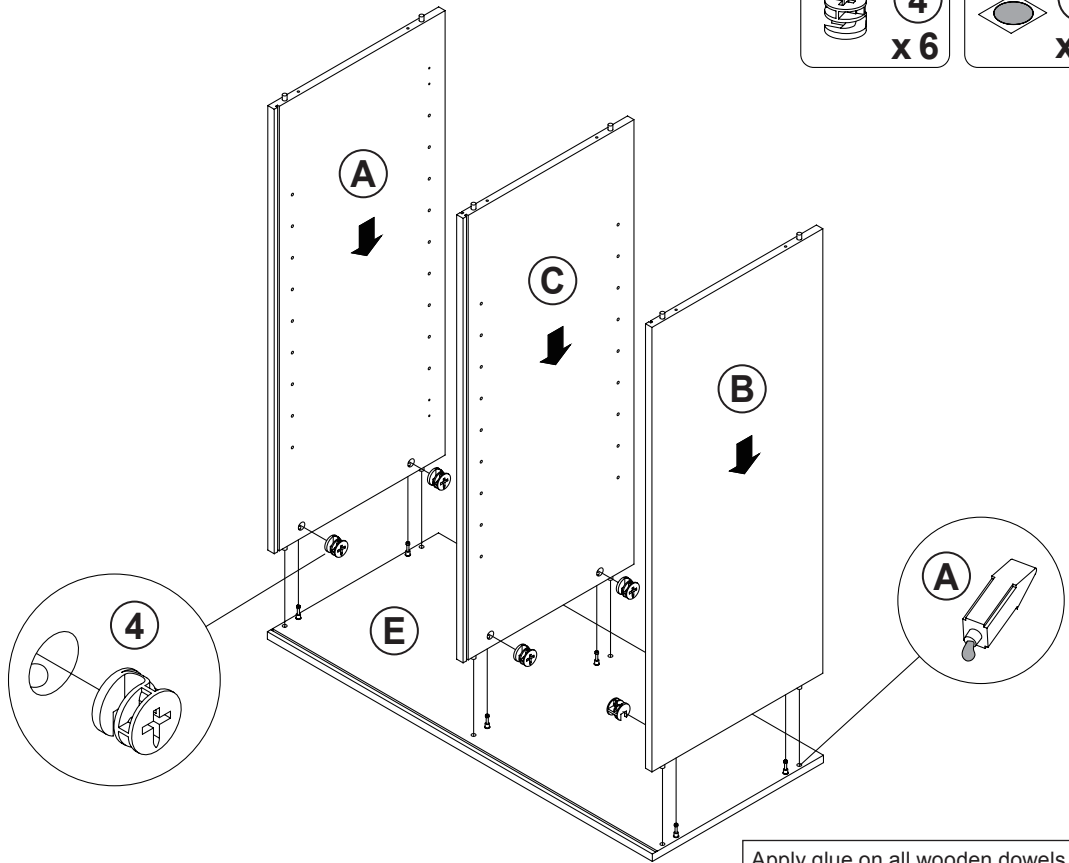
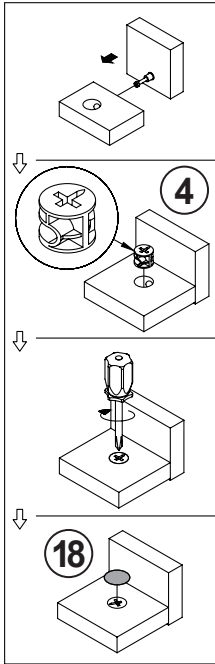
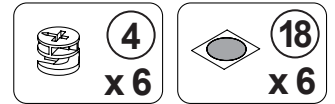
Apply glue on all wooden dowels to ensure integrity of the structure.



ITEM: 959625

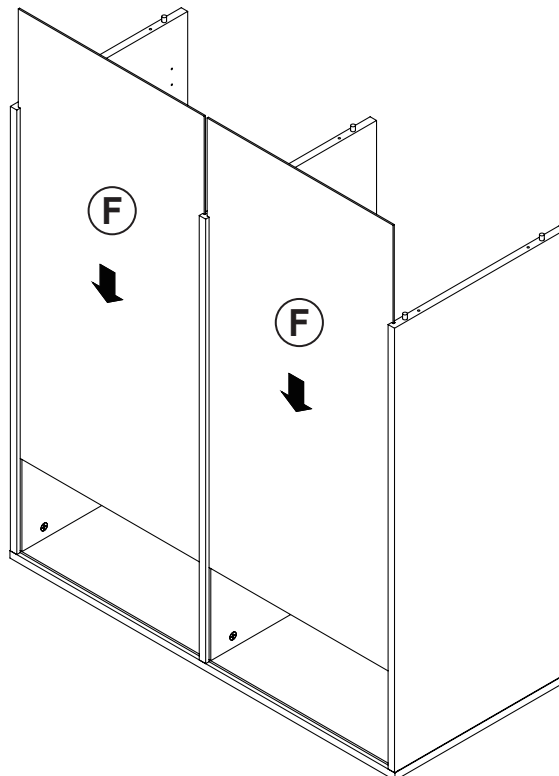
COASTER
FINE FURNITURE

STEP 2



Apply glue on all wooden dowels to ensure integrity of the structure.

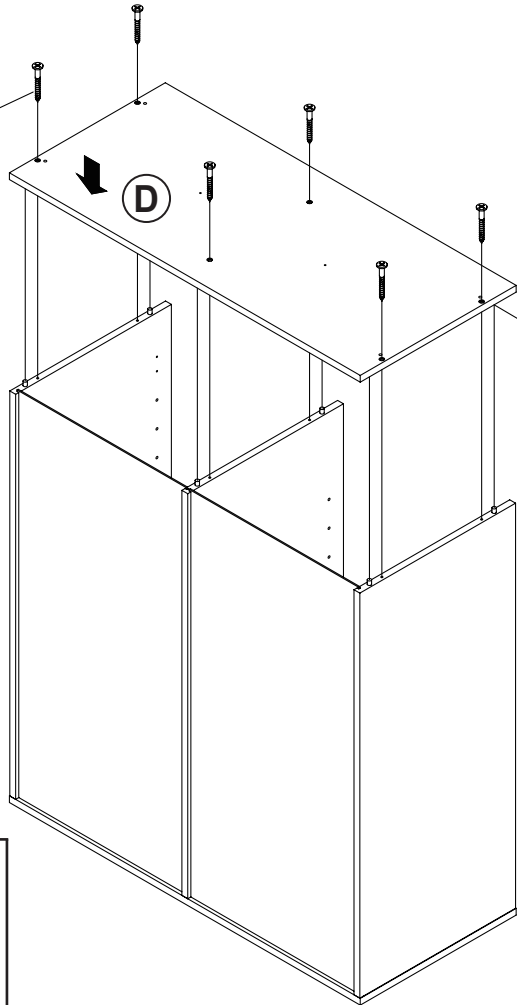
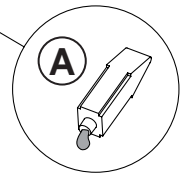
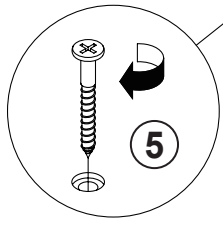
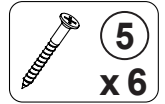
STEP 3



ITEM: 959625

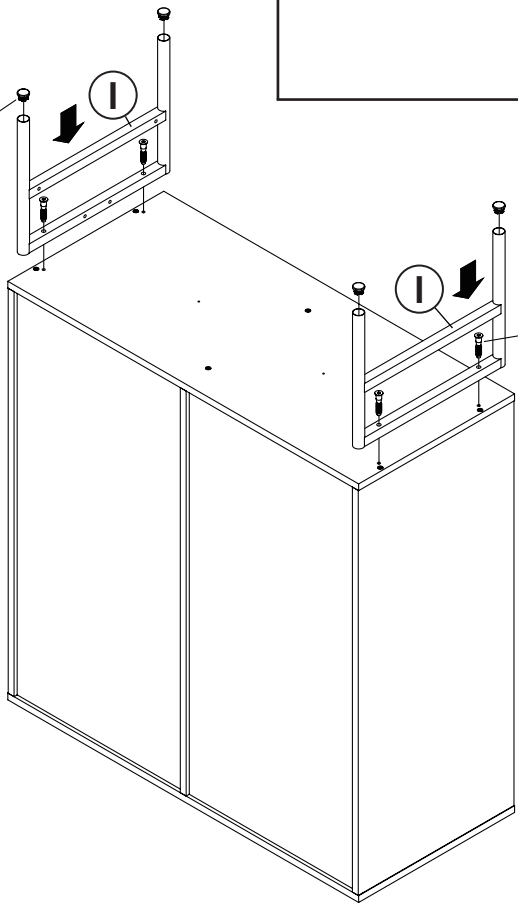
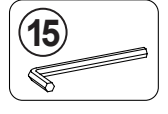
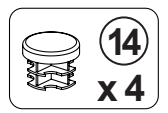
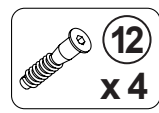
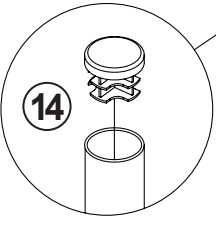
COASTER
FINE FURNITURE

STEP 4



Apply glue on all wooden dowels to ensure integrity of the structure.

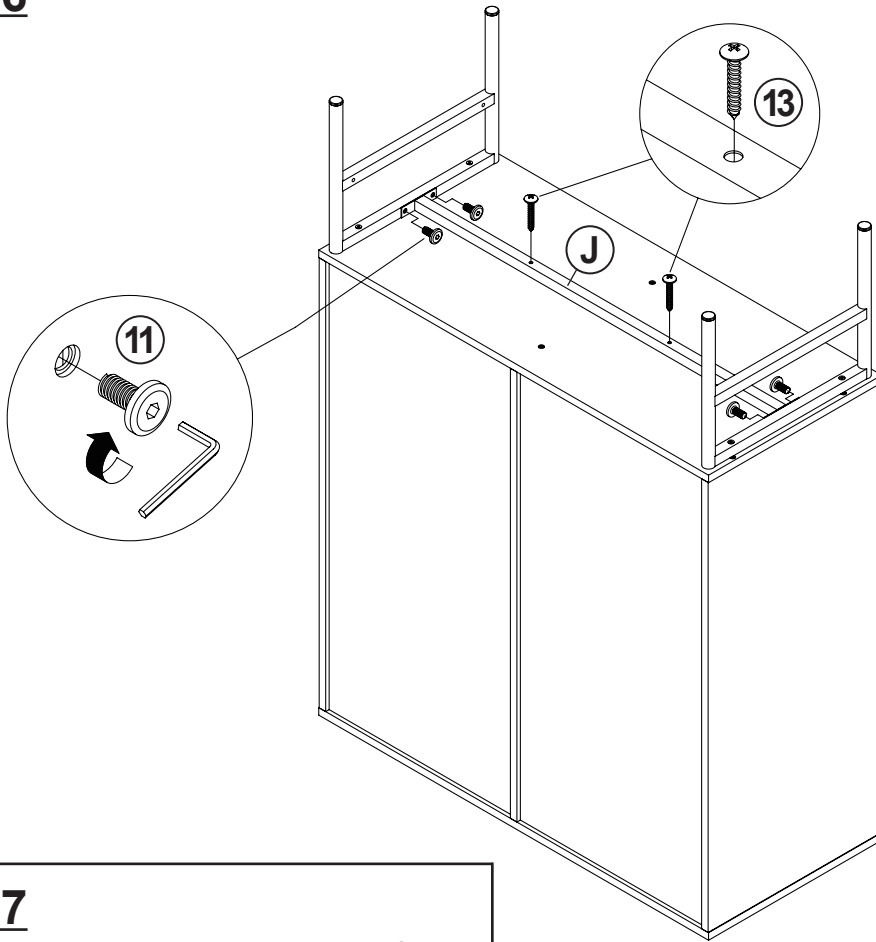
STEP 5



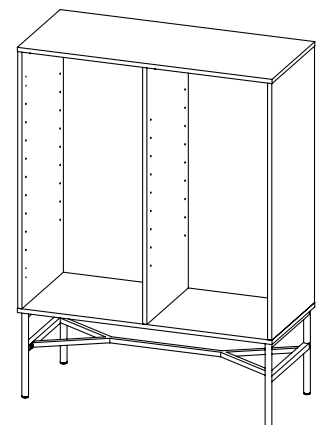
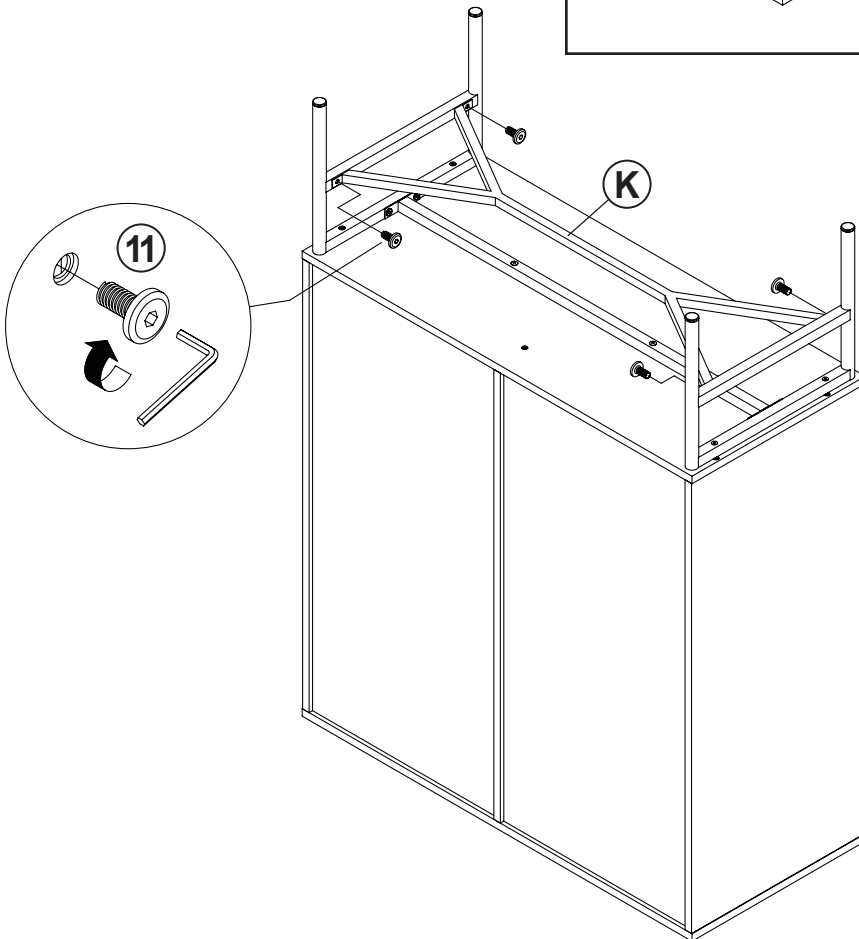
ITEM: 959625

COASTER
FINE FURNITURE

STEP 6



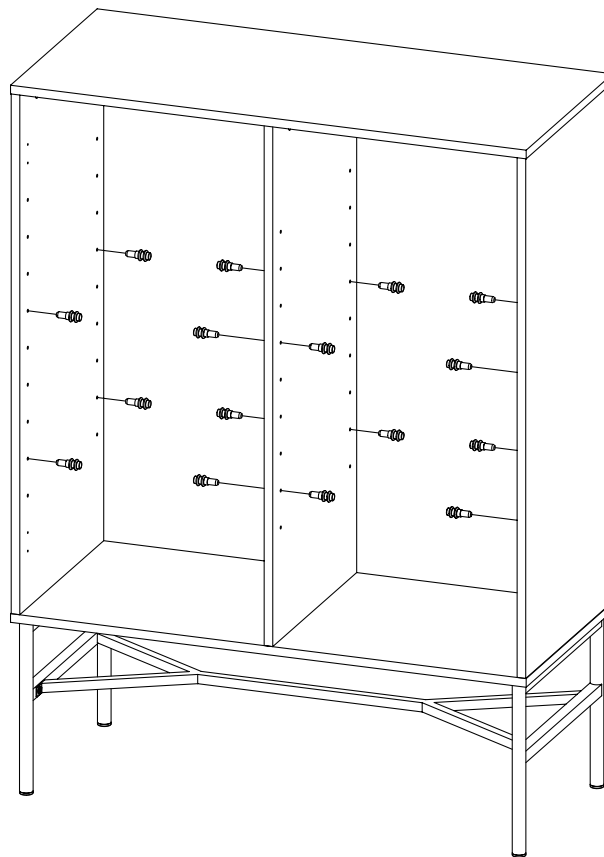
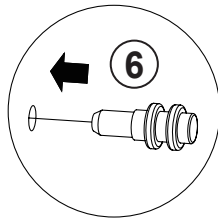
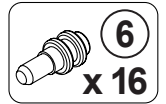
STEP 7



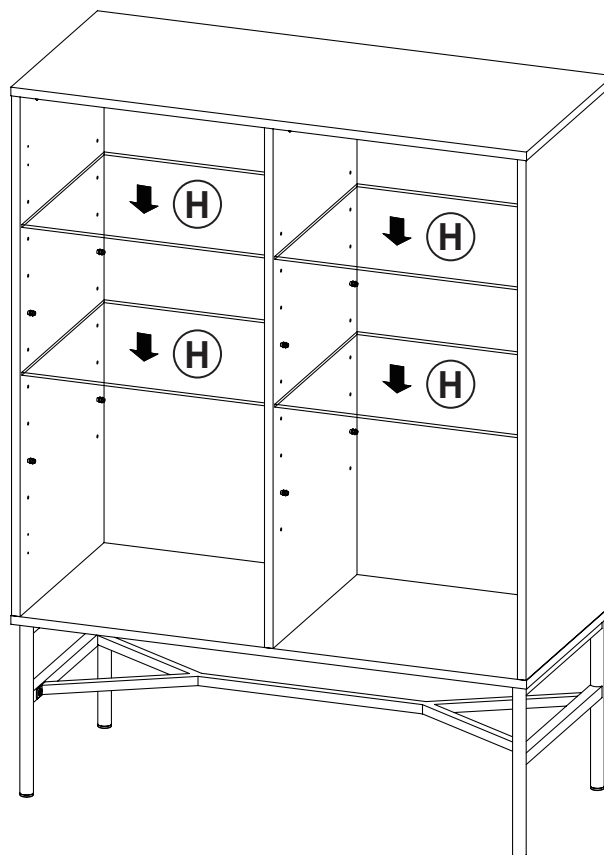
ITEM: 959625

COASTER
FINE FURNITURE

STEP 8



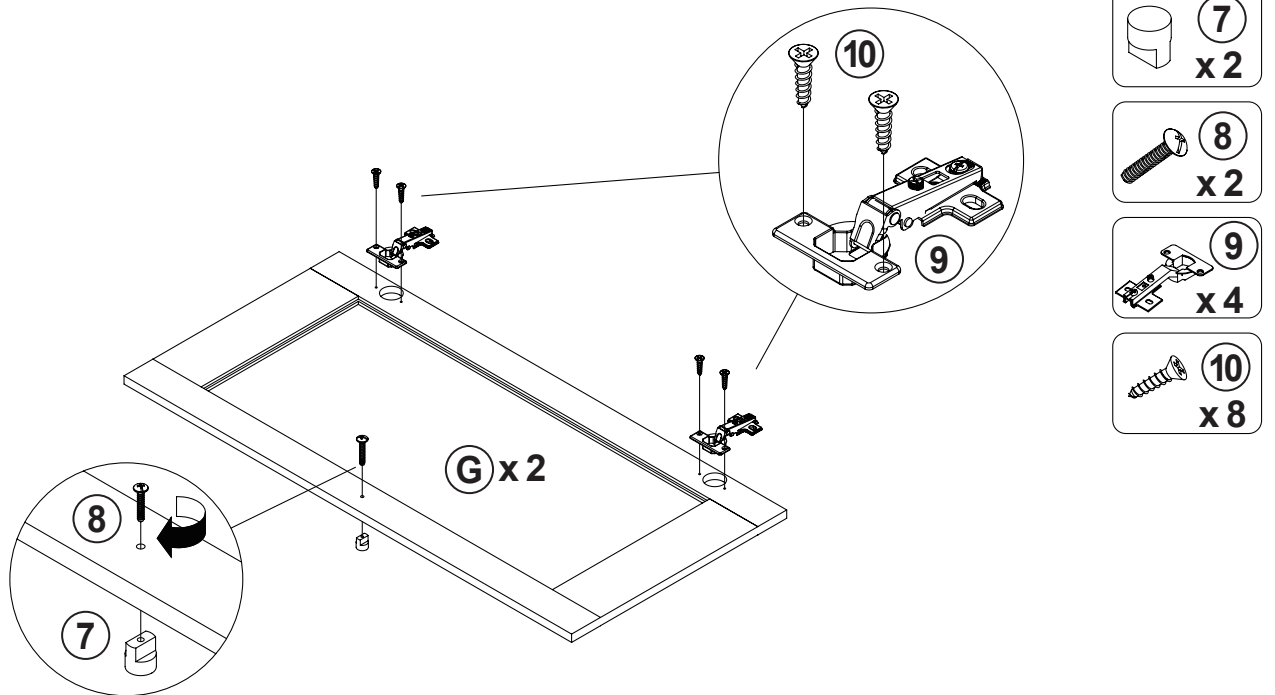
STEP 9



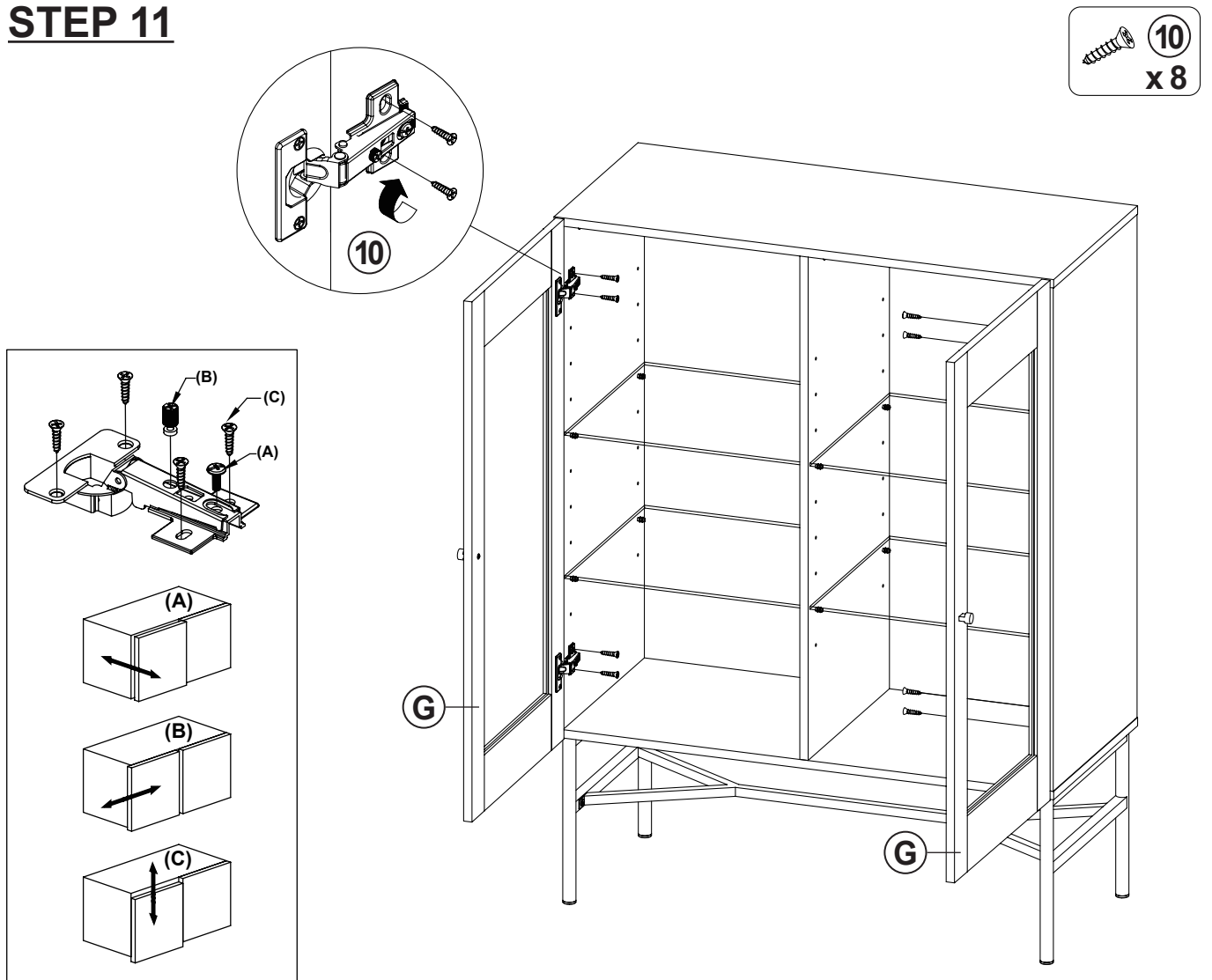
ITEM: 959625

COASTER
FINE FURNITURE

STEP 10



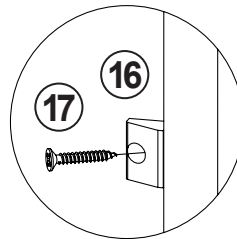
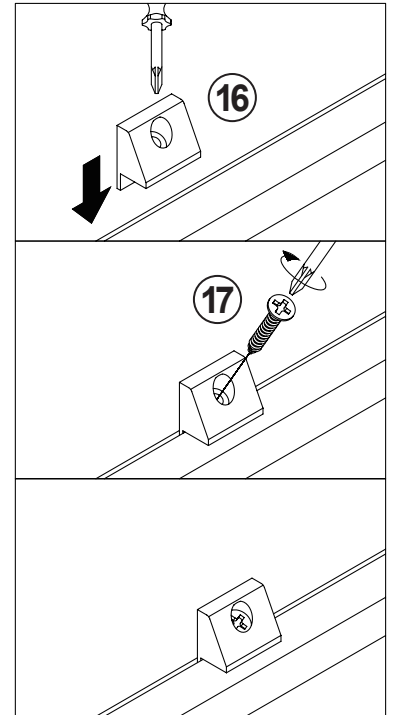
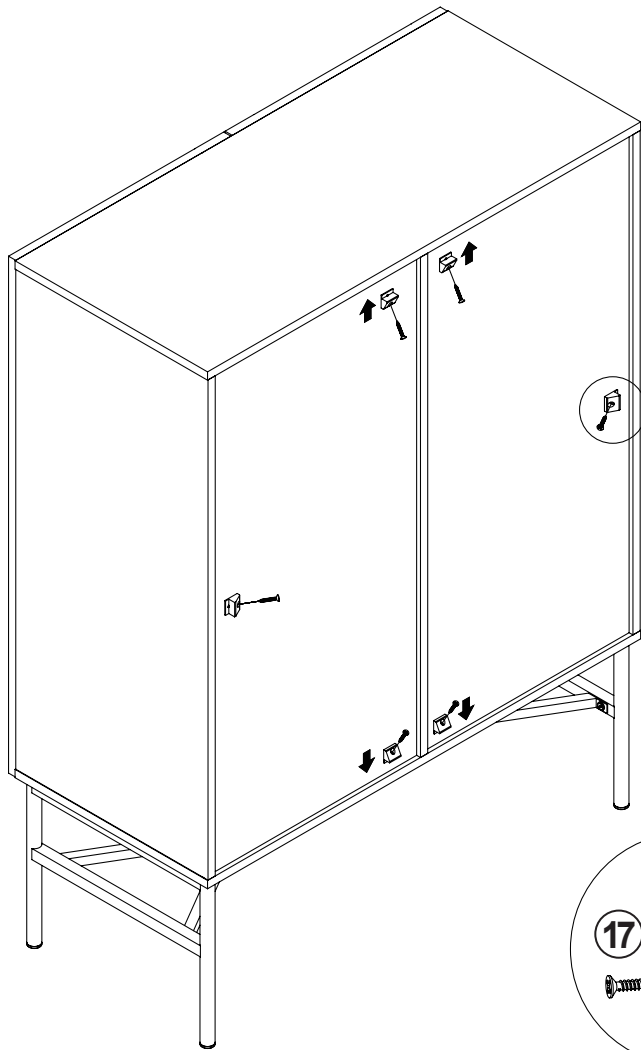
STEP 11



ITEM: 959625

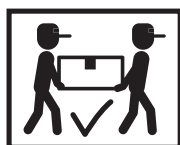
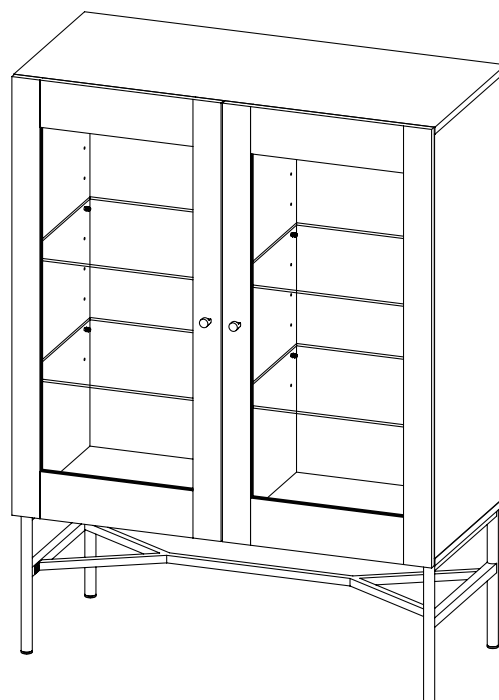
COASTER
FINE FURNITURE

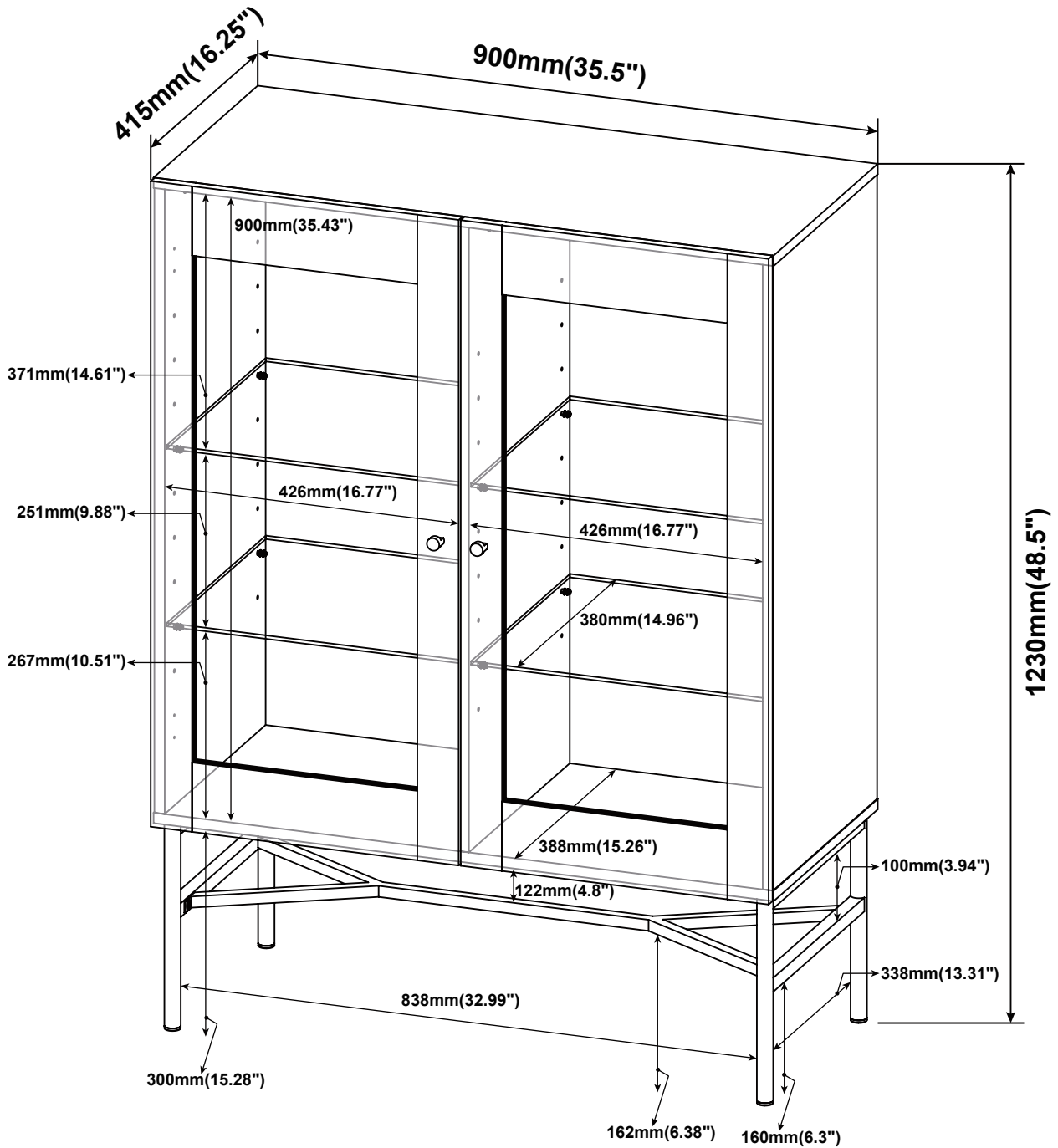
STEP 12



STEP 13

COMPLETE





Note : Dimension tolerance $\pm 5\%$

ANTI-TIPPING INSTALLMENT INSTRUCTIONS

FURNITURE TIPPING RESTRAINT

WARNING

Injury may result from tipping furniture.
This restraint may protect against tipping furniture.
Do not allow children to climb on furniture.
This restraint is not a substitute for proper adult supervision.
Failure to detach this restraint before moving the furniture
may result in injury and damage.

1. To attach the anti-tip strap, securely mount one end to the top of the case piece with the 5/8" screw.
2. Position the case piece against the wall in the desired location.
3. Pull the anti-tip strap taut and mark the position of where you will secure the other end on the wall.
4. Drill a 1-1/4" hole in the spot you marked.
5. Tap in plastic wall plug.
6. Fasten anti-tip strap with wall screw provided.

(Please install the anti-tipping kit in the middle of the case piece if only have one set of anti-tipping kit.)

