

***ASSEMBLY INSTRUCTIONS
COASTER FINE FURNITURE***



Fine Furniture for every stage of life

602507P
Power Sofa

ITEM : 602507P

COASTER[®]

FINE FURNITURE

ASSEMBLY INSTRUCTIONS

ASSEMBLY TIPS:

1. Remove hardware from box and sort by size.
2. Please check to see that all hardware and parts are present prior to start of assembly.
3. Please follow attached instructions in the same sequence as numbered to assure fast & easy assembly.



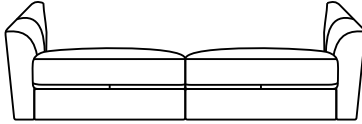
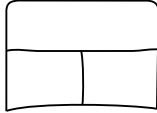



WARNING!

1. Don't attempt to repair or modify parts that are broken or defective. Please contact the store immediately.
2. This product is for home use only and not intended for commercial establishments.






ASSEMBLY TIME 3 MINUTES

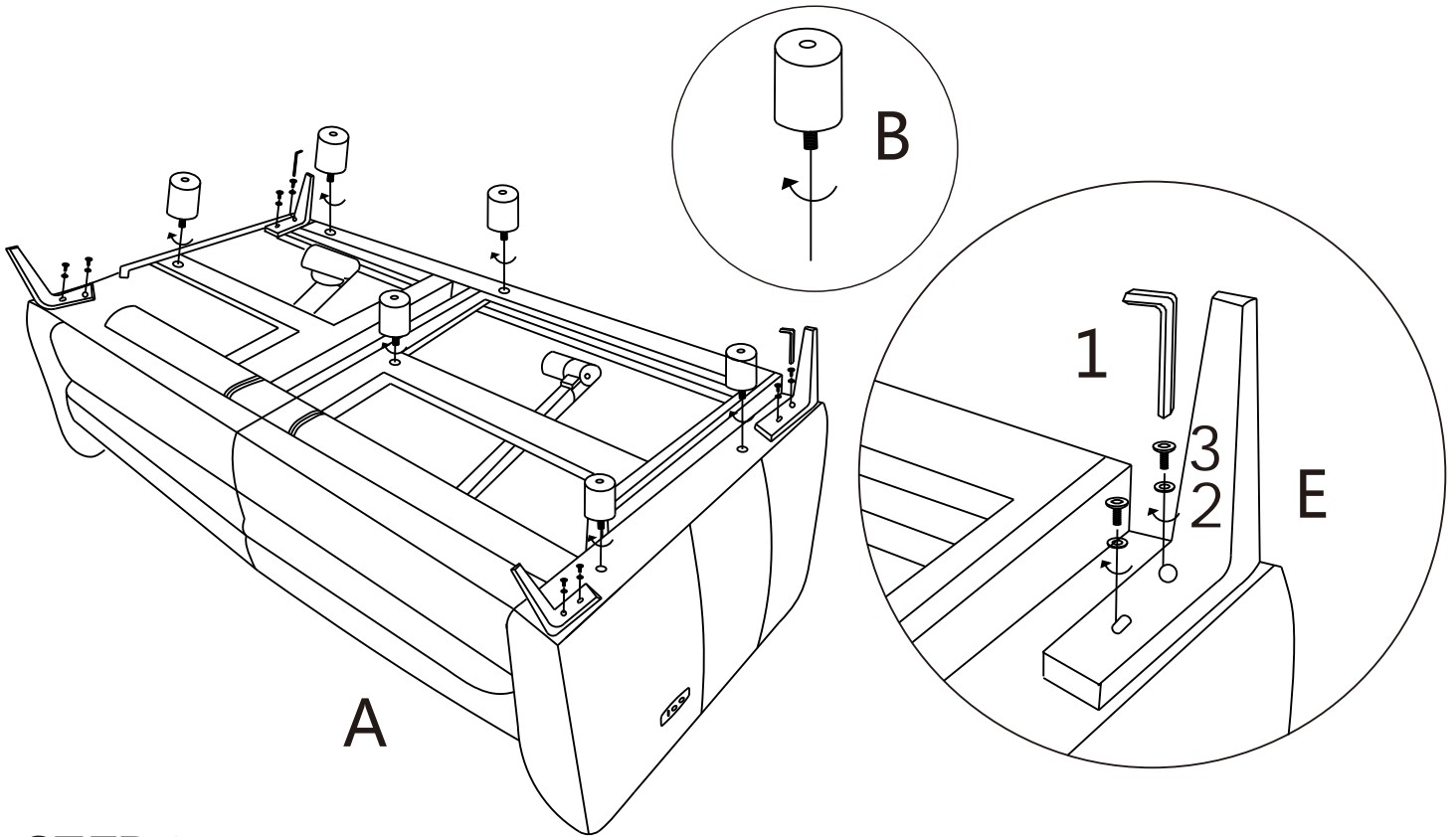
PARTS IDENTIFICATION

A	BASE		1PC	C	BACK		2PCS
B	SUPPORT LEG		6 PCS	D	POWER CABLE		1 PC
				E	LEG		4PCS

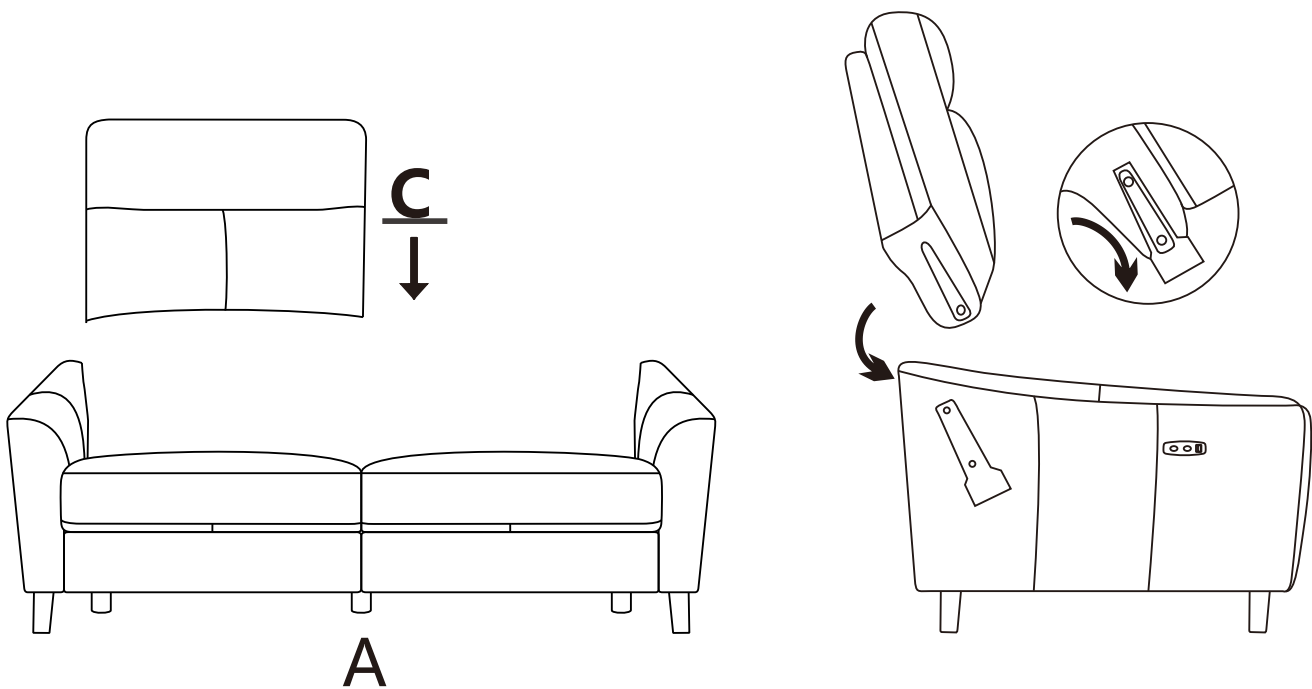
Z HARDWARE IDENTIFICATION

1	WRENCH		$\varnothing 0.6\text{cm}$	1 PC	2	WASHER		$\varnothing 0.6\text{cm}$	8PCS
3	BOLT		0.6cm	8 PCS					

STEP 1

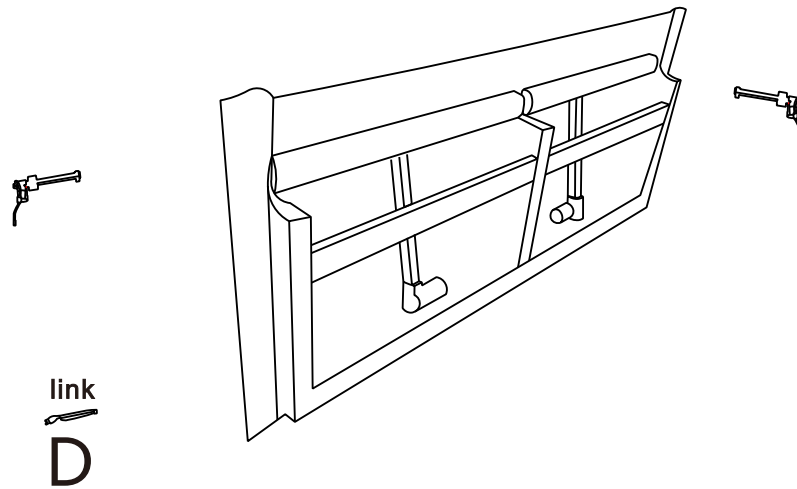


STEP 2

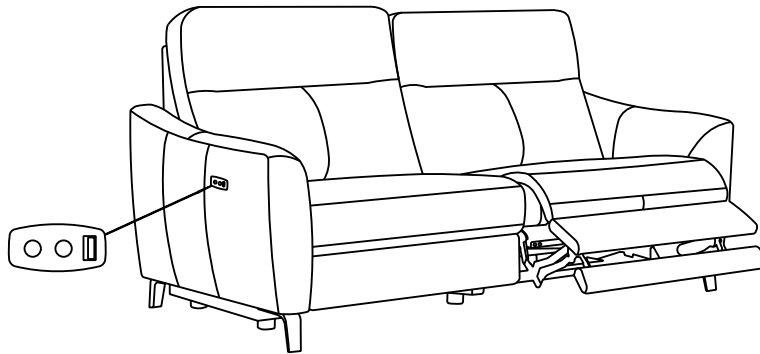


STEP 3

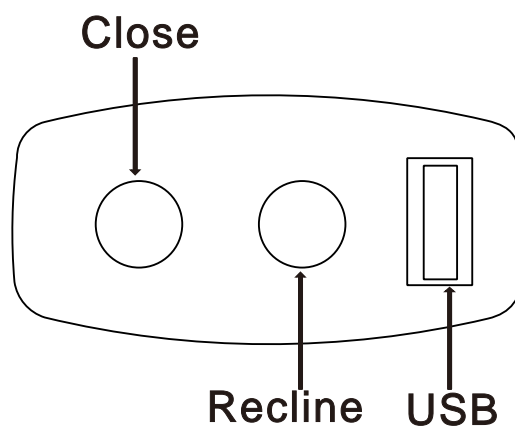
COASTER[®]
FINE FURNITURE

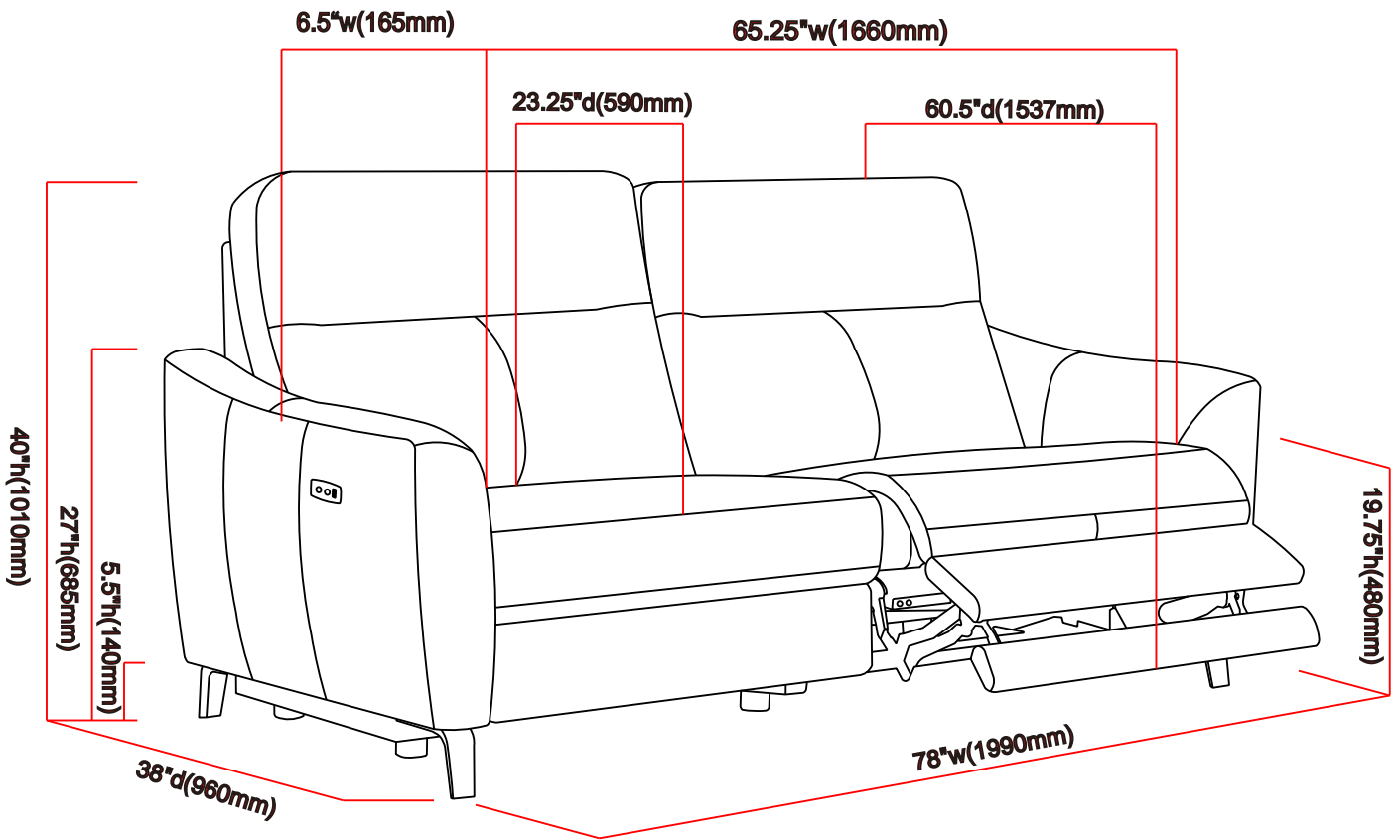


STEP 4



CONTROLLER INSTRUCTIONS





Note: Dimension tolerance \pm 5%