

ASSEMBLY INSTRUCTIONS
COASTER FINE FURNITURE



Fine Furniture for every stage of life

736263
TV CONSOLE

ITEM: 736263



ASSEMBLY INSTRUCTIONS

ASSEMBLY TIPS:

1. Remove hardware from box and sort by size.
2. Please check to see that all hardware and parts are present prior to start of assembly.
3. Please follow attached instructions in the same sequence as numbered to assure fast & easy assembly.



WARNING!

1. Don't attempt to repair or modify parts that are broken or defective. Please contact the store immediately.
2. This product is for home use only and not intended for commercial establishments.



ASSEMBLY TIME

60 MINUTES

MAX TV SIZE : 85"

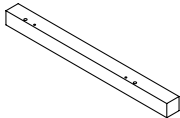
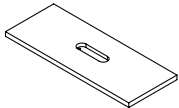
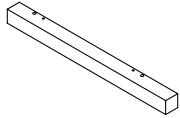
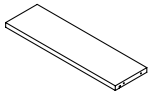
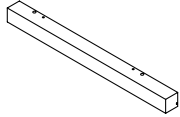
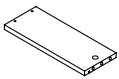
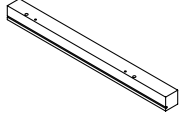
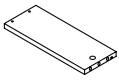
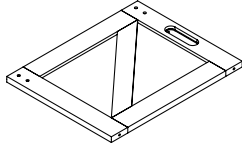
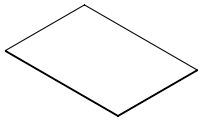
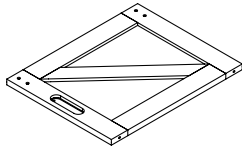
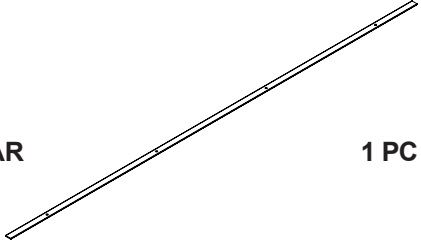
PARTS IDENTIFICATION

A	LEFT SIDE PANEL		1 PC	G	CROSS PANEL		2 PCS
B	RIGHT SIDE PANEL		1 PC	H	ADJUSTABLE SHELF		2 PCS
C	LEFT DIVIDER PANEL		1 PC	I	UPPER CROSSBAR		1 PC
D	RIGHT DIVIDER PANEL		1 PC	J	TOP PANEL		1 PC
E	MIDDLE DIVIDER PANEL		1 PC	K	BACK PANEL		6 PCS
F	BOTTOM PANEL		1 PC	L	MIDDLE BACK PANEL		2 PCS

NOTE:

Phillips head screw driver is required in the assembly process; however, manufacturer does not provide this item.

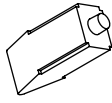
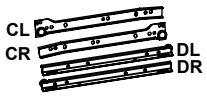
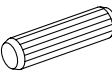

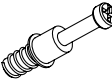
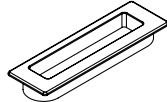


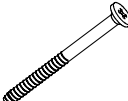
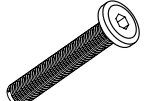

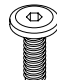
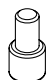

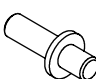
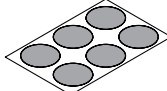

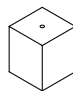

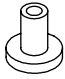
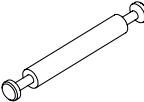
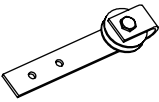
ITEM: 736263

M	LEG 1		1 PC	S	DRAWER FRONT PANEL		2 PCS
N	LEG 2		1 PC	T	DRAWER BACK PANEL		2 PCS
O	LEG 3		1 PC	U	DRAWER LEFT SIDE PANEL		2 PCS
P	LEG 4		1 PC	V	DRAWER RIGHT SIDE PANEL		2 PCS
Q	LEFT DOOR		1 PC	A1	DRAWER BOTTOM PANEL		2 PCS
R	RIGHT DOOR		1 PC	A2	TRACK BAR		1 PC

NOTE:

Phillips head screw driver is required in the assembly process; however, manufacturer does not provide this item.

HARDWARE IDENTIFICATION

Z							
NO	DESCRIPTION	FIGURE	Q'TY	NO	DESCRIPTION	FIGURE	Q'TY
1	GLUE 40g		1 PC	12	GLIDES L = 300mm BLK		2 SET
2	WOODEN DOWEL Ø8x30mm		46 PCS	13	GLIDES SCREW Ø3x10mm BLK		24 PCS
3	CAM BOLT Ø7x35.5mm SR		35 PCS	14	HANDLE L=115mm BLK		4 PCS
4	CAM LOCK Ø15x12mm SR		39 PCS	15	HANDLE BOLT Ø4x13mm BLK		8 PCS
5	BOLT Ø9.5x55mm SR		7 PCS	16	BOLT M6x43mm BLK		4 PCS
6	SCREW Ø4.3x35mm SR		8 PCS	17	BOLT M6x19mm BLK		8 PCS
7	PIN FOR ADJUSTABLE SHELF Ø4.9x15mm SR		8 PCS	18	ALLEN WRENCH 4mm SR		1 PC
8	PIN Ø5.8x25mm SR		4 PCS	19	STICKER Ø20mm		7 PCS
9	PLASTIC FEET Ø15mm		5 PCS	20	SQUARE FOOT		1 PC
10	WOODEN DOWEL Ø8x50mm		2 PCS	21	TRACK SPACER Ø25x25mm BLK		4 PCS
11	CAM BOLT Ø7x63mm SR		2 PCS	22	ROLLER Ø40.5x160mm BLK		4 PCS

Z12,Z14,Z15,Z20,Z21,Z22 not included in blister packaging.

NOTE:

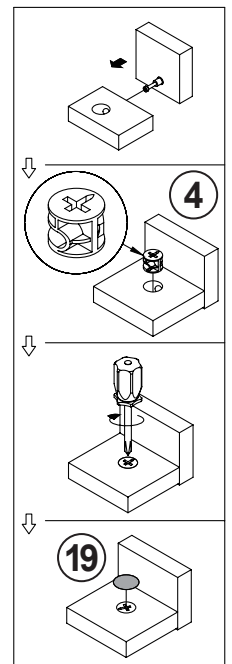
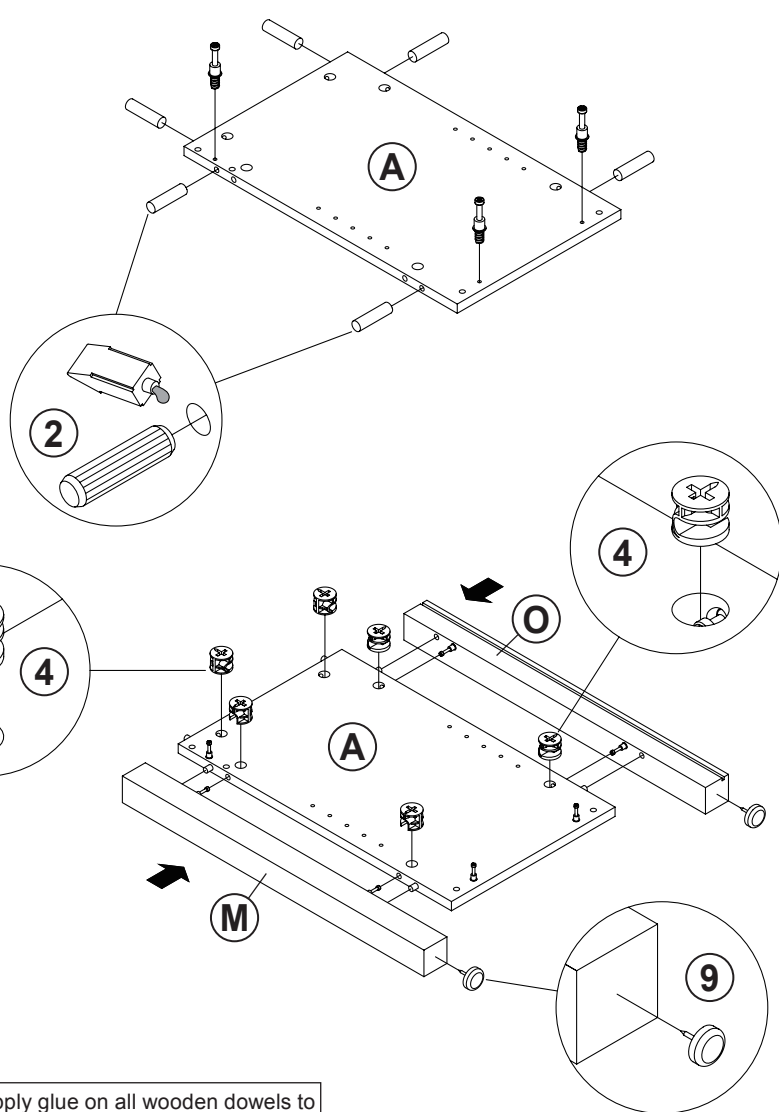
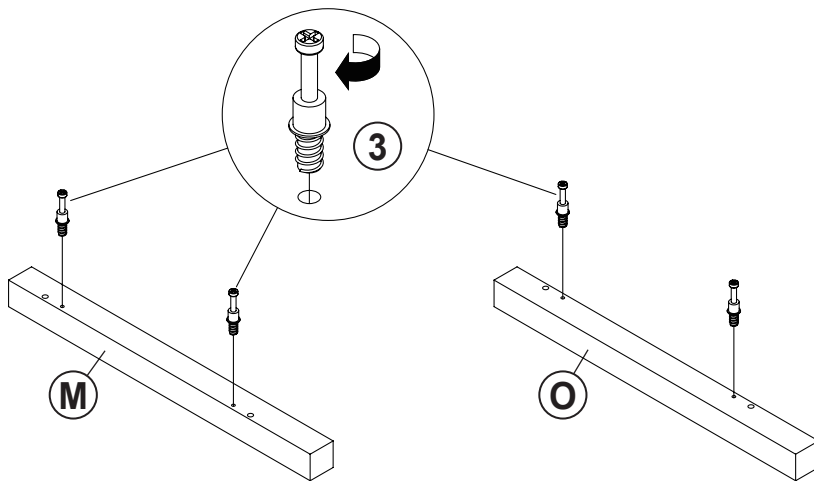
Phillips head screw driver is required in the assembly process; however, manufacturer does not provide this item.

ITEM: 736263

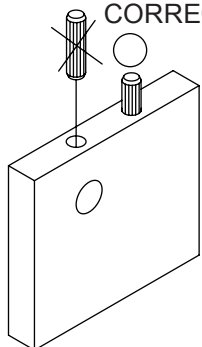
STEP 1

COASTER
FINE FURNITURE

- 2 x 6
- 3 x 7
- 4 x 6
- 9 x 2
- 19 x 4



INCORRECT
CORRECT



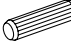




Apply glue on all wooden dowels to ensure integrity of the structure.

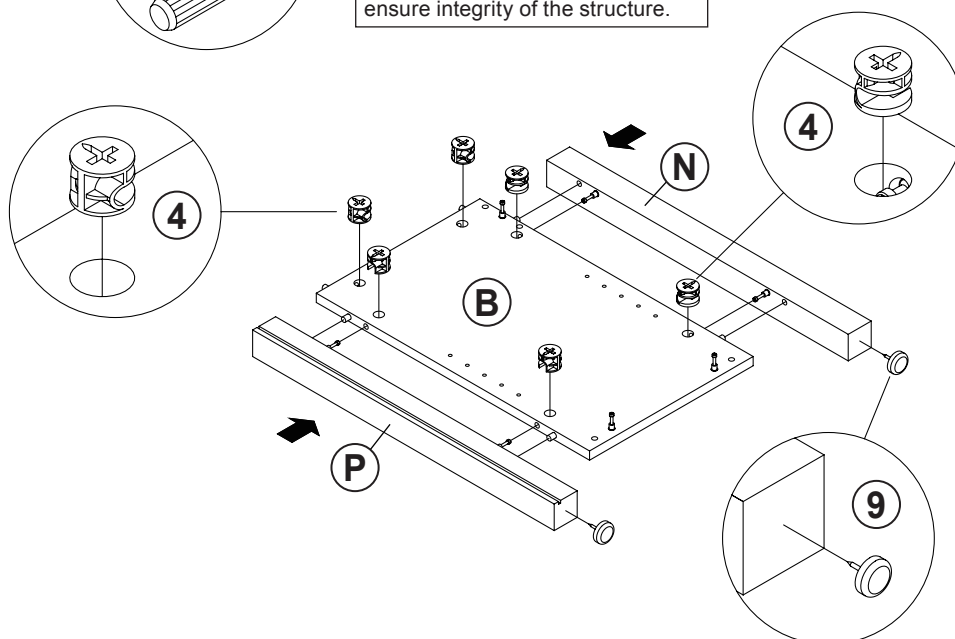
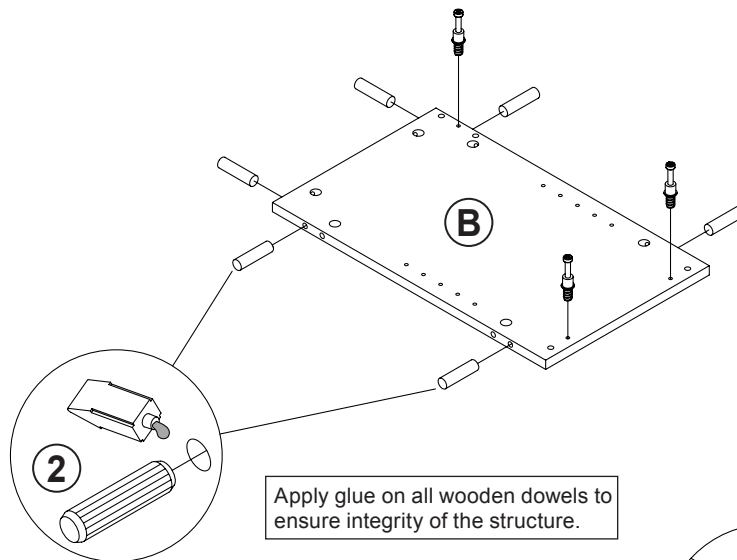
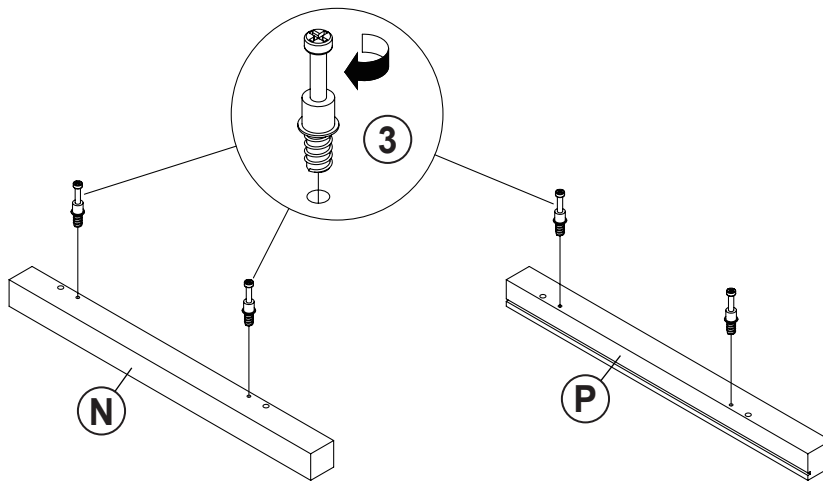
ITEM: 736263

STEP 2

COASTER[®]

FINE FURNITURE

-  **2**
x 6
-  **3**
x 7
-  **4**
x 6
-  **9**
x 2
-  **19**
x 4



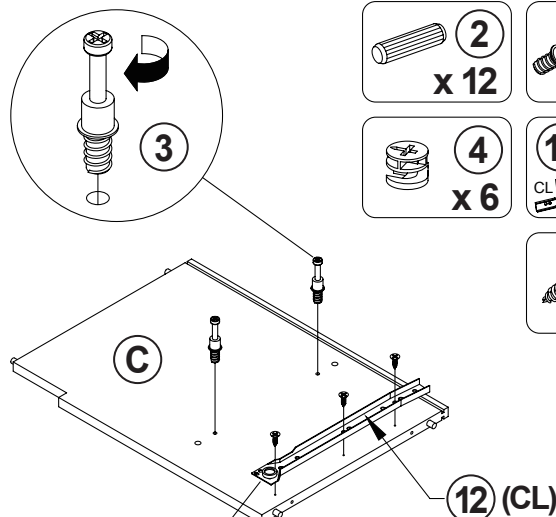
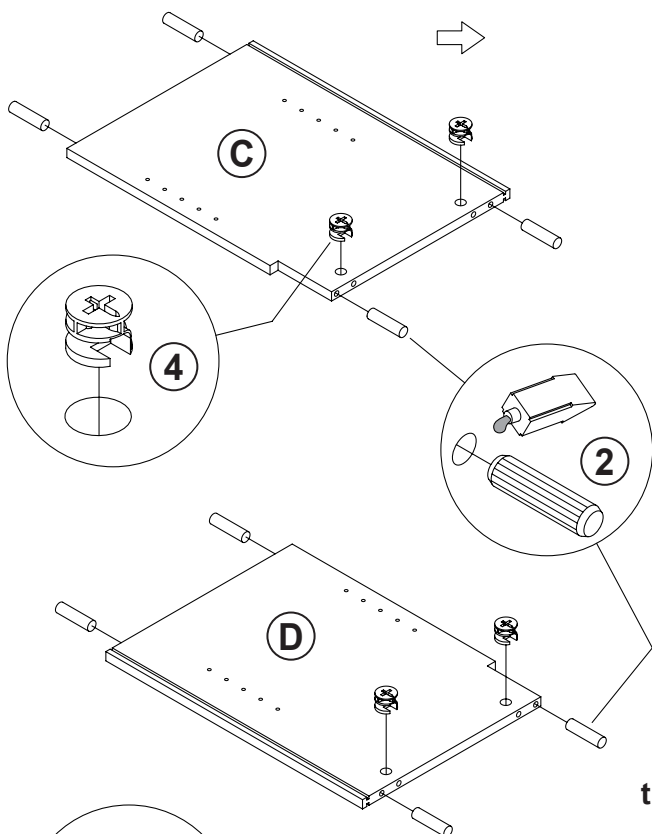
ITEM: 736263

COASTER
FINE FURNITURE

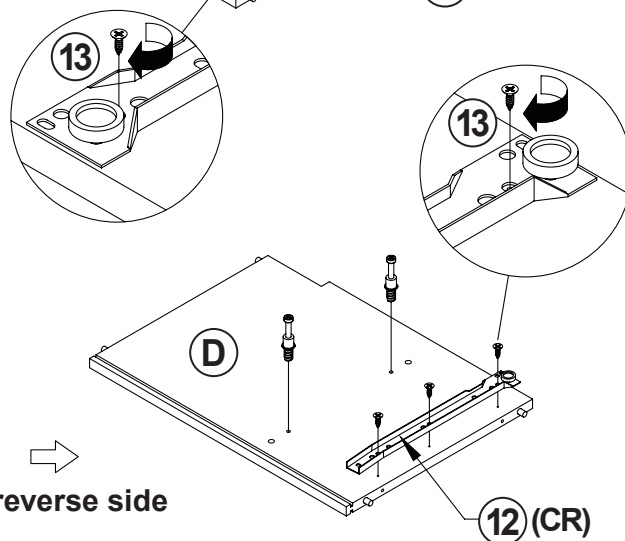
STEP 3

- 2 x 12
- 3 x 4
- 4 x 6
- 12 x 2 (CL)
- 12 x 2 (CR)
- 13 x 12

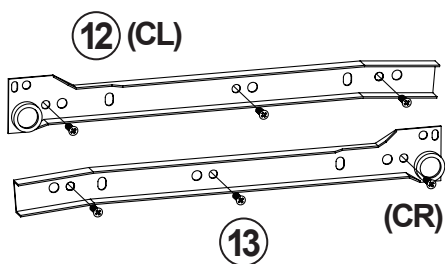
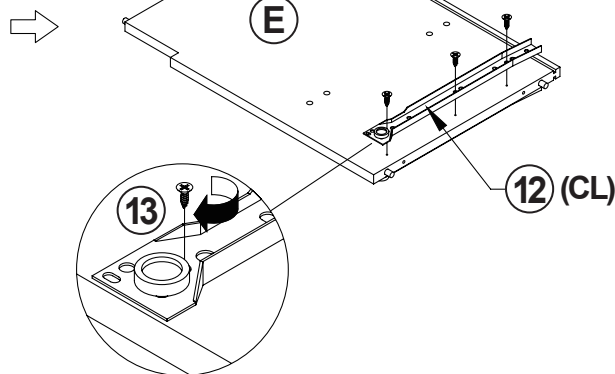
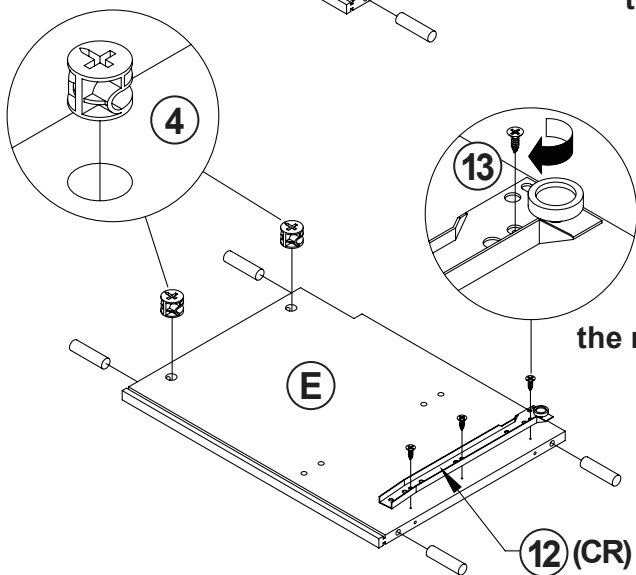
the reverse side



the reverse side



the reverse side



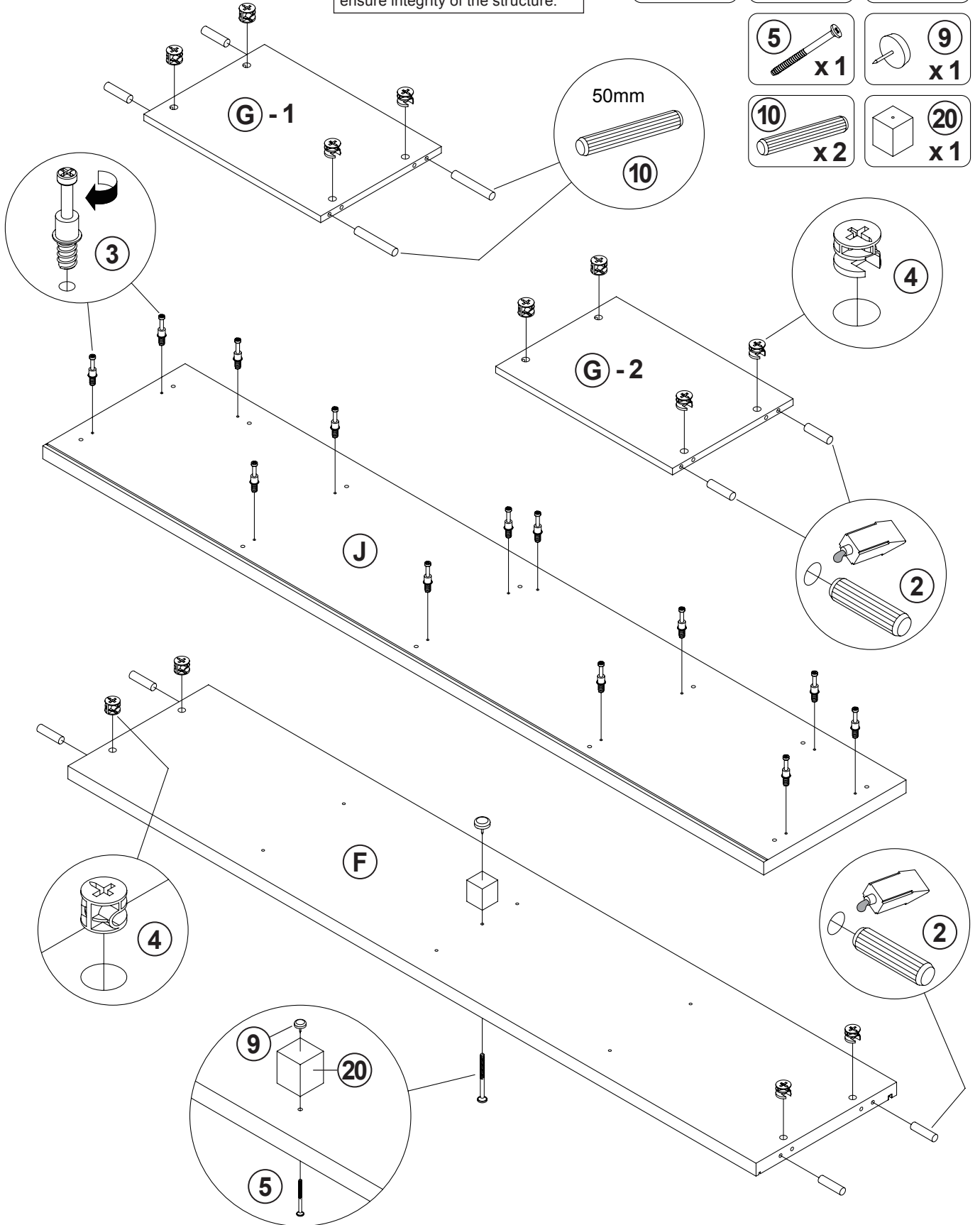
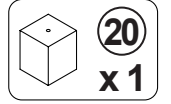
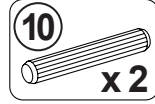
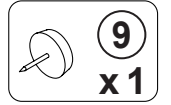
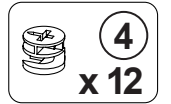
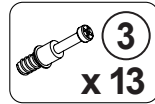
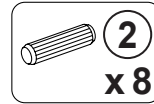
Apply glue on all wooden dowels to ensure integrity of the structure.

ITEM: 736263

COASTER
FINE FURNITURE

STEP 4

Apply glue on all wooden dowels to ensure integrity of the structure.



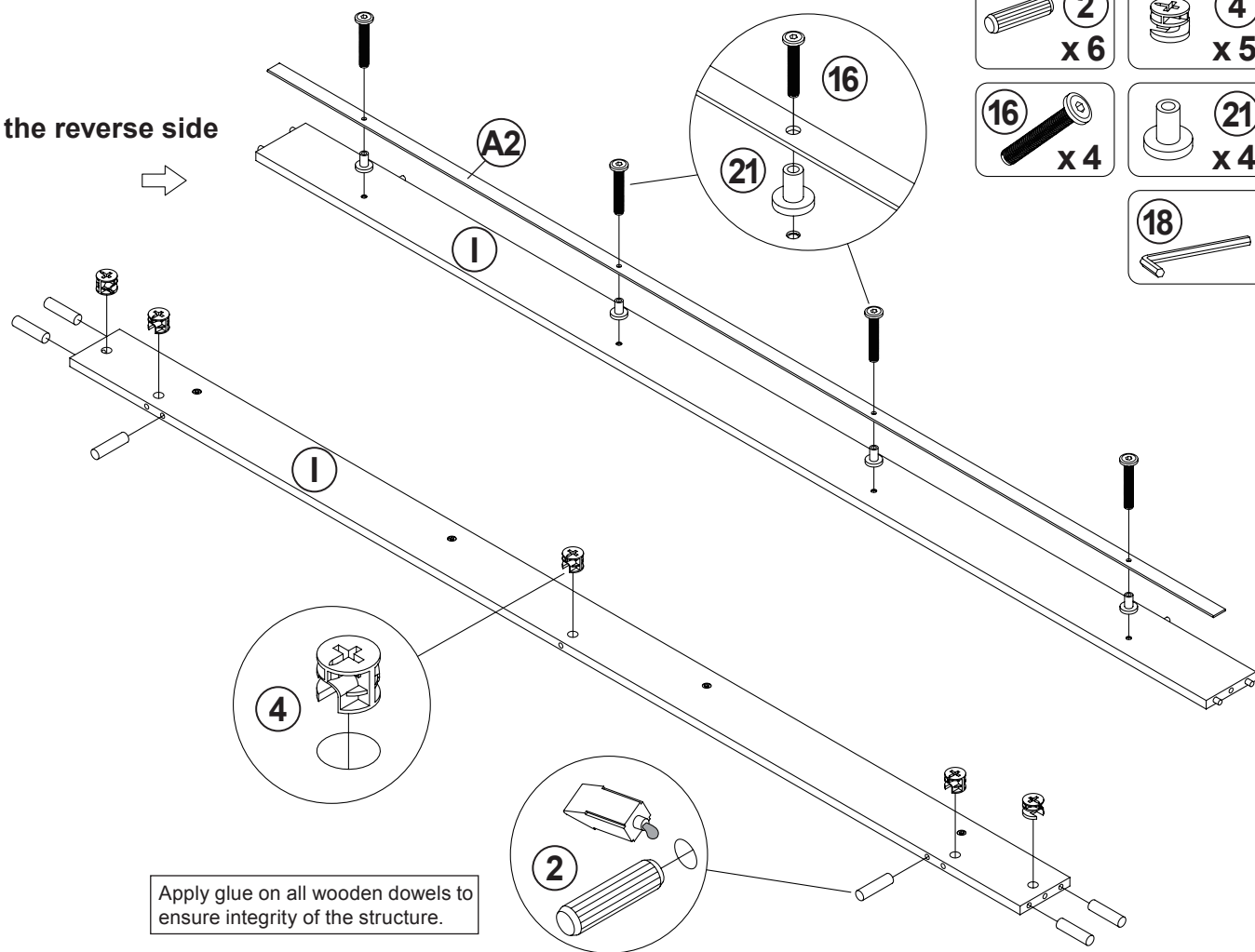
ITEM: 736263

COASTER[®]

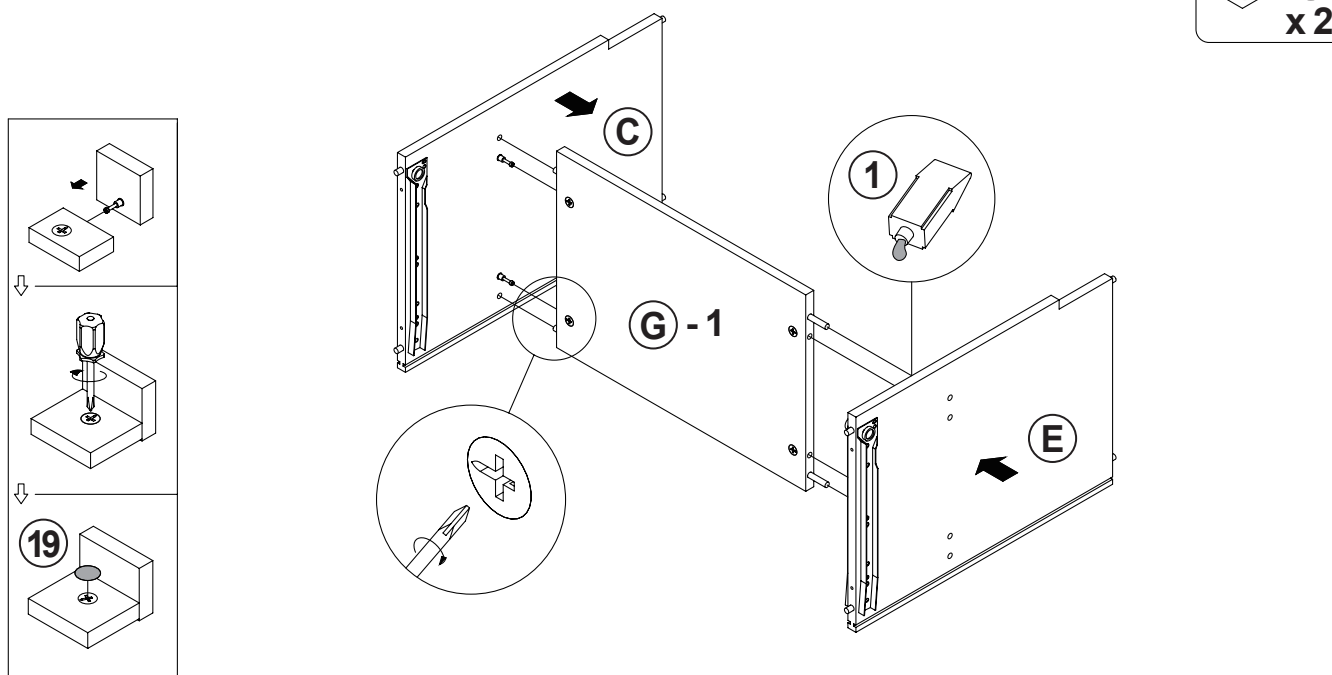
FINE FURNITURE

STEP 5

the reverse side



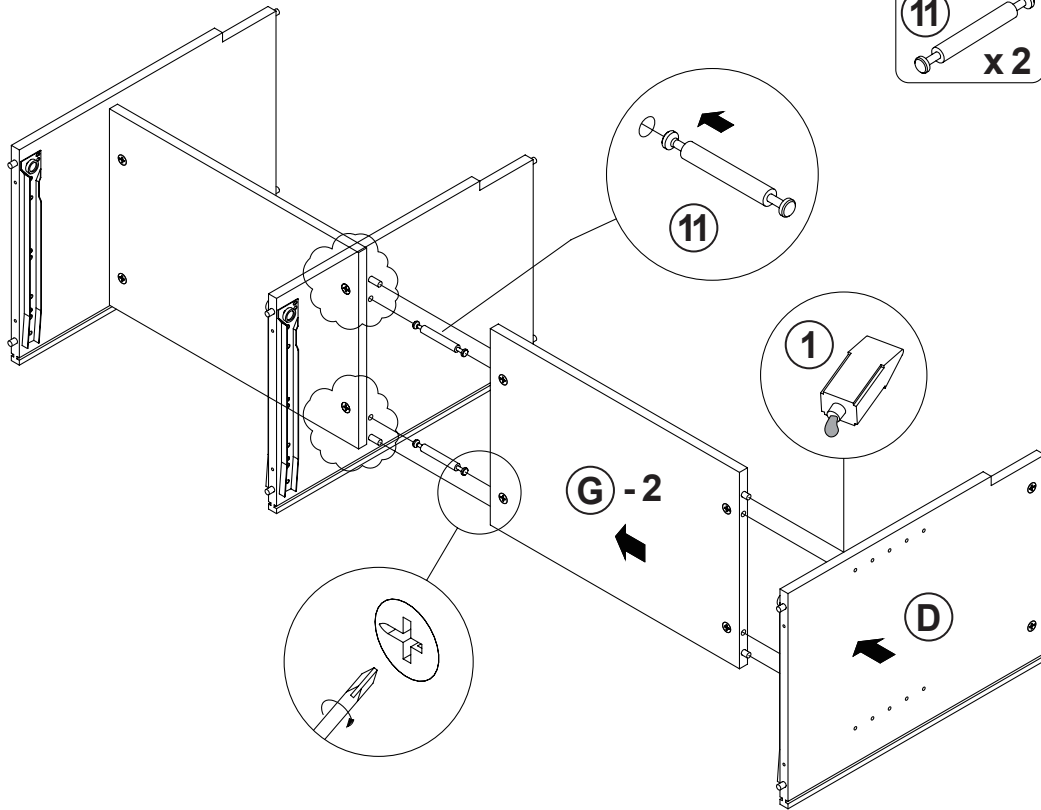
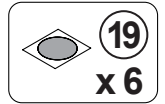
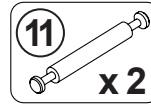
STEP 6



ITEM: 736263

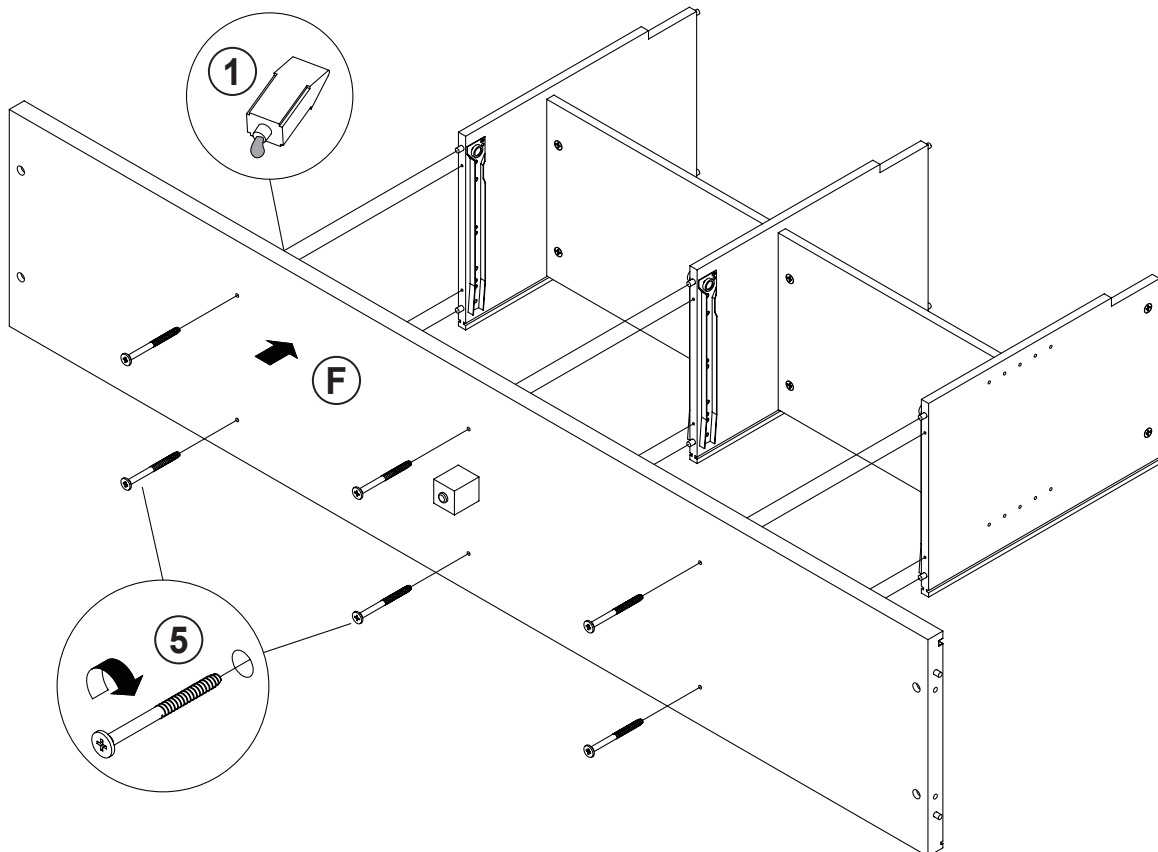
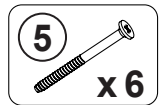
COASTER
FINE FURNITURE

STEP 7



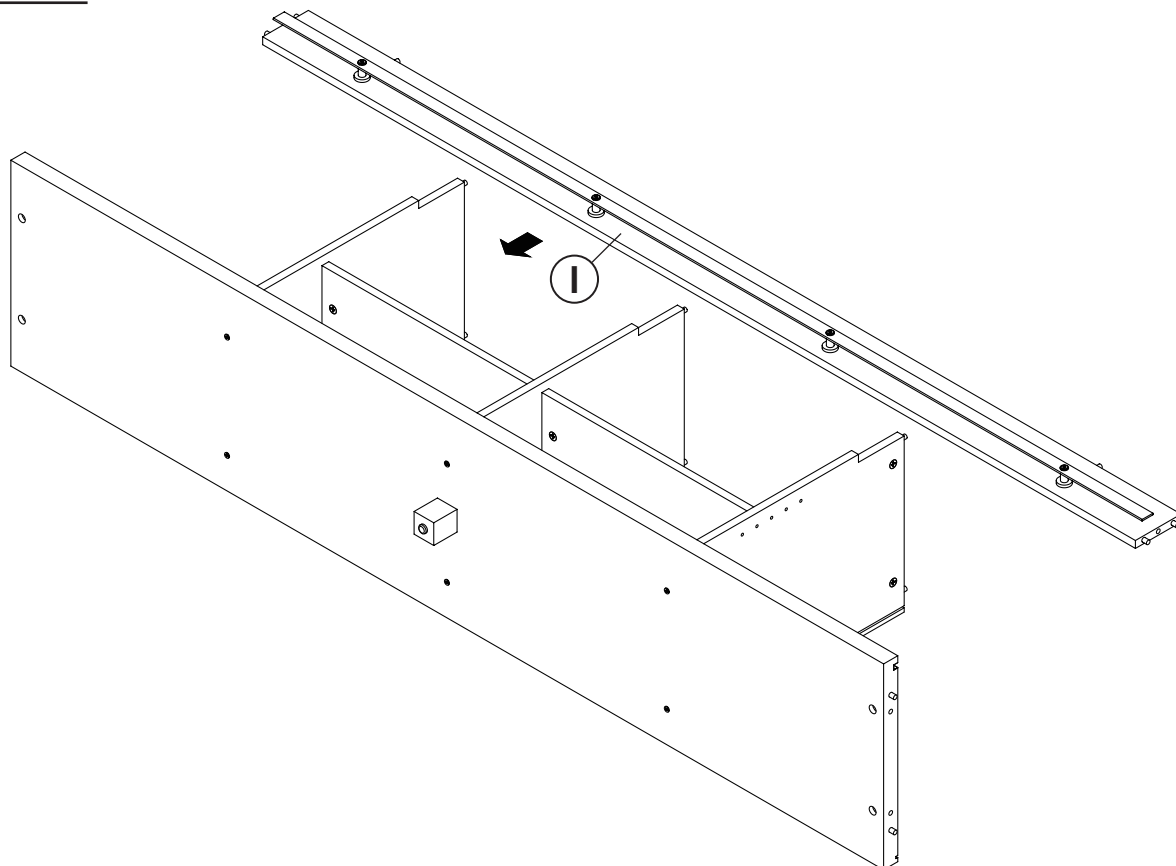
STEP 8

Apply glue on all wooden dowels to ensure integrity of the structure.

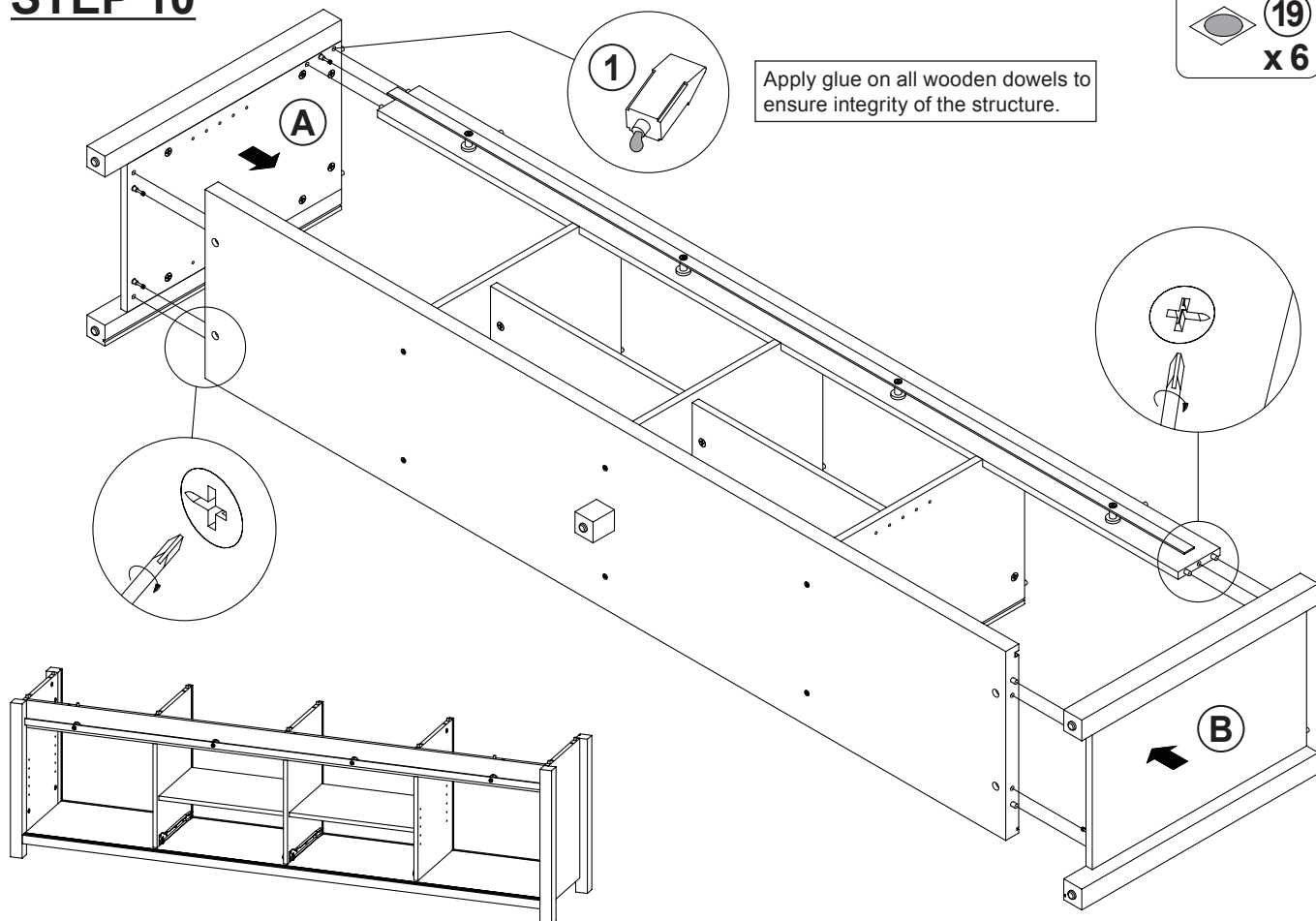


ITEM: 736263

STEP 9

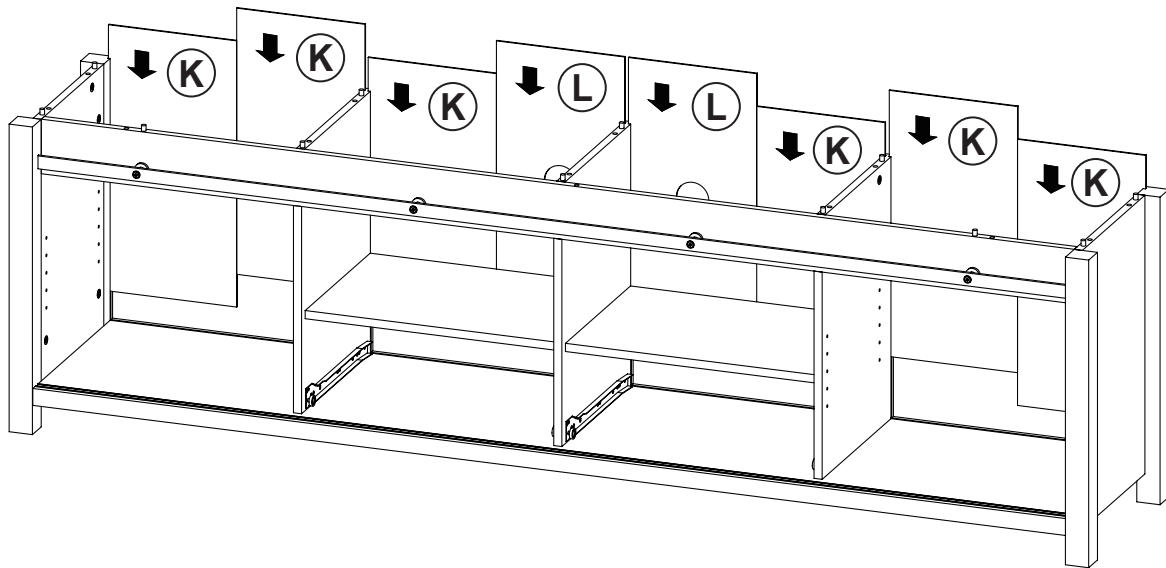


STEP 10

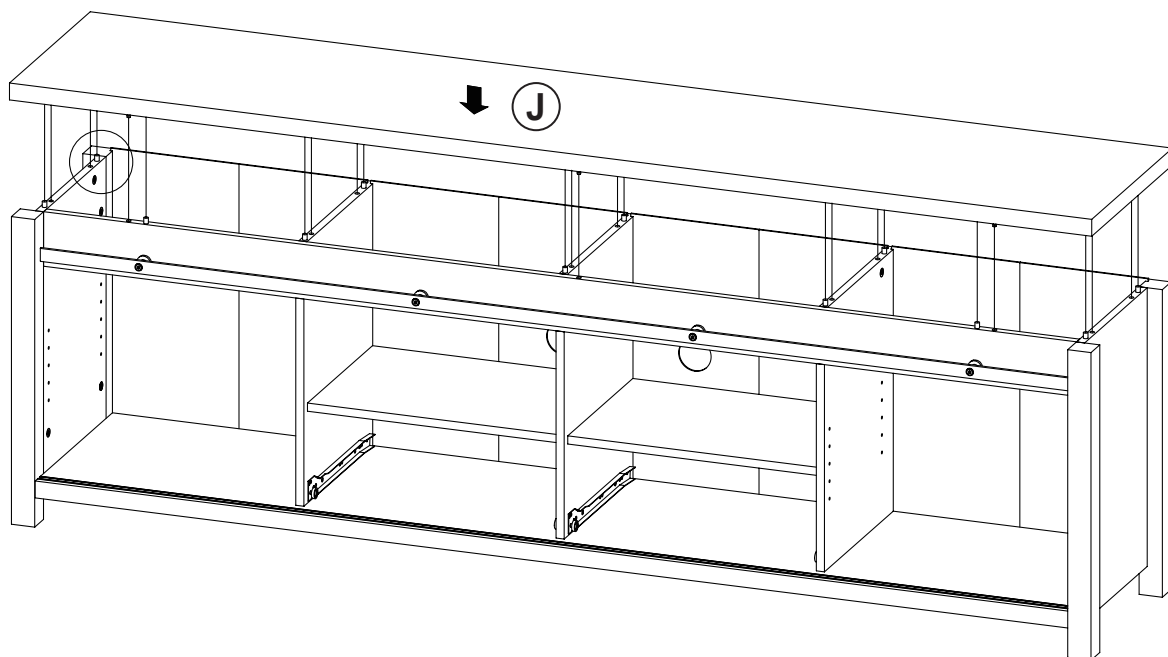
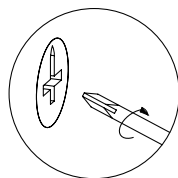
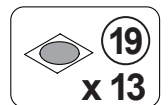


ITEM: 736263

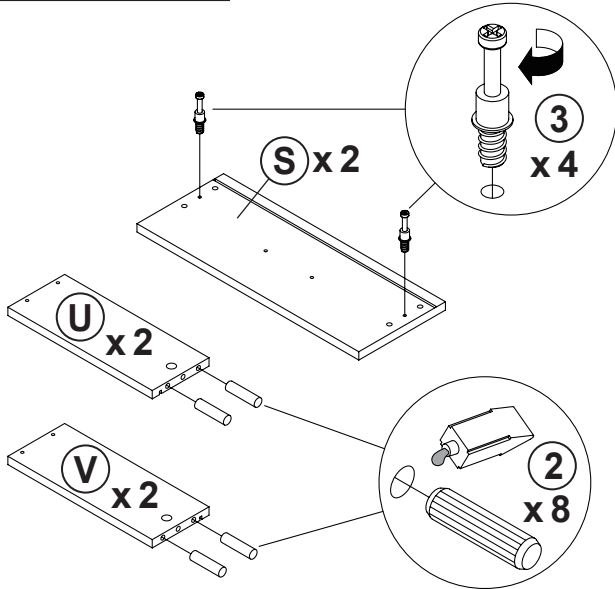
STEP 11



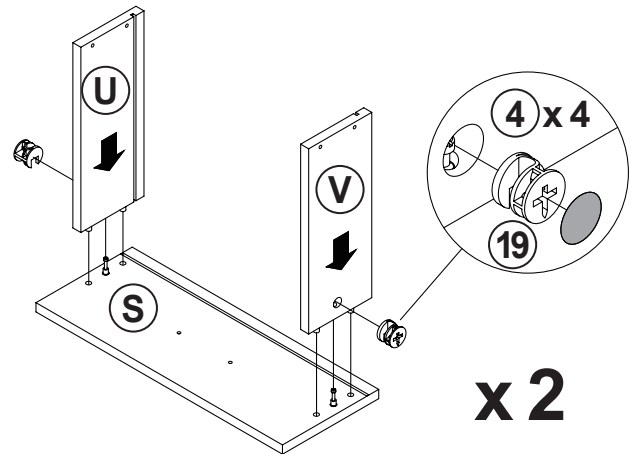
STEP 12



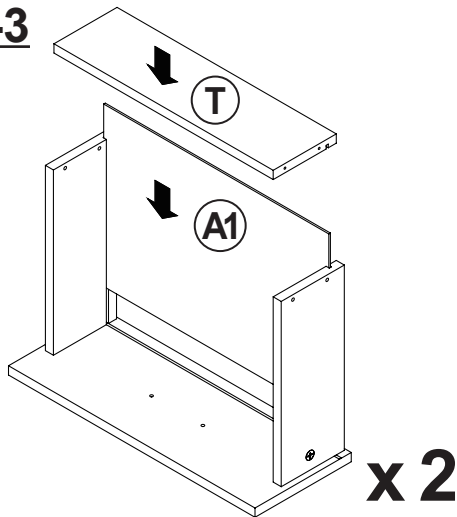
STEP 13-1



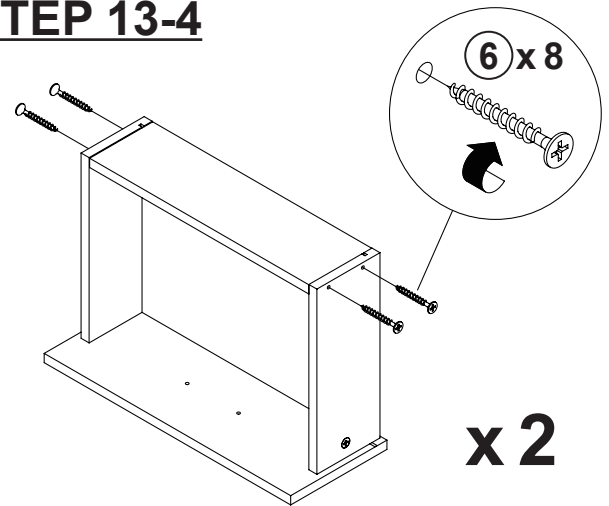
STEP 13-2



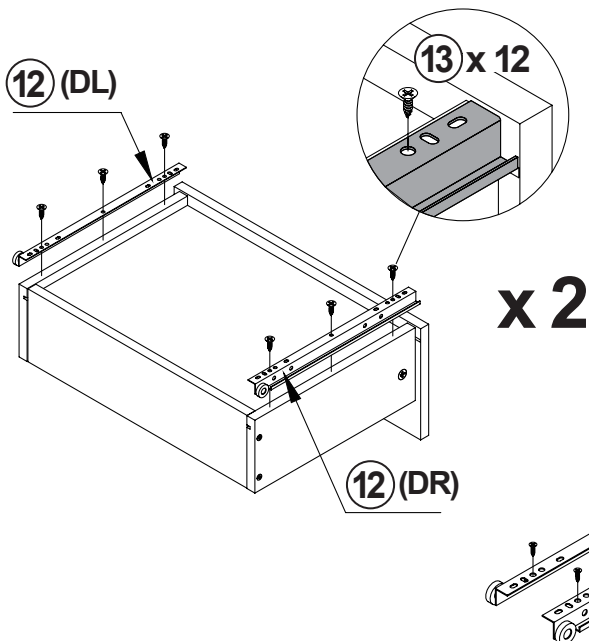
STEP 13-3



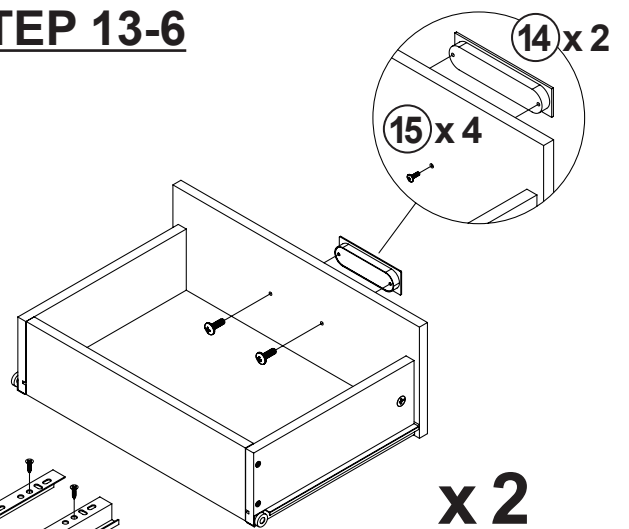
STEP 13-4



STEP 13-5



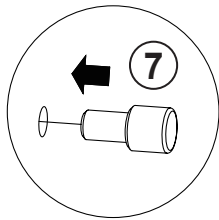
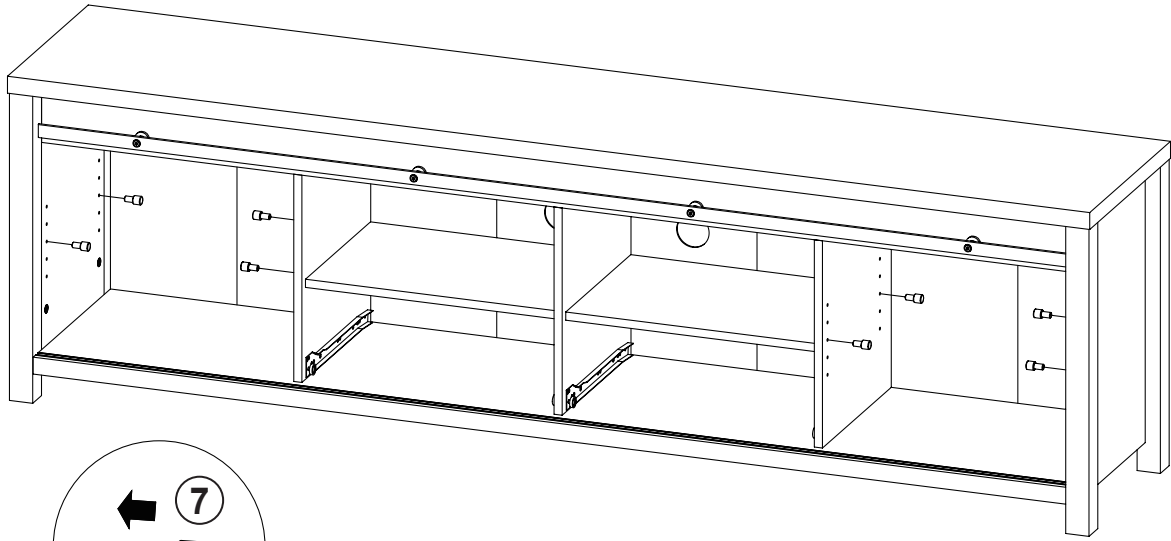
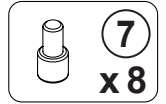
STEP 13-6



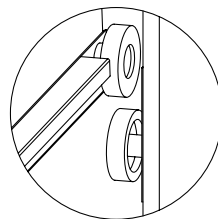
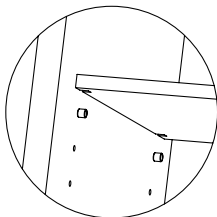
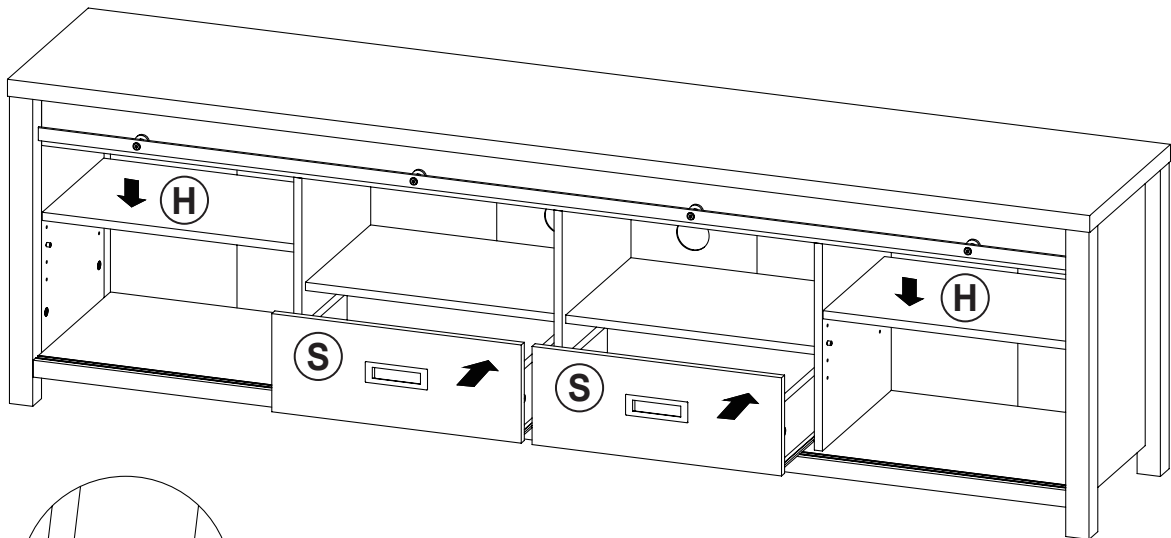
ITEM: 736263

COASTER
FINE FURNITURE

STEP 14

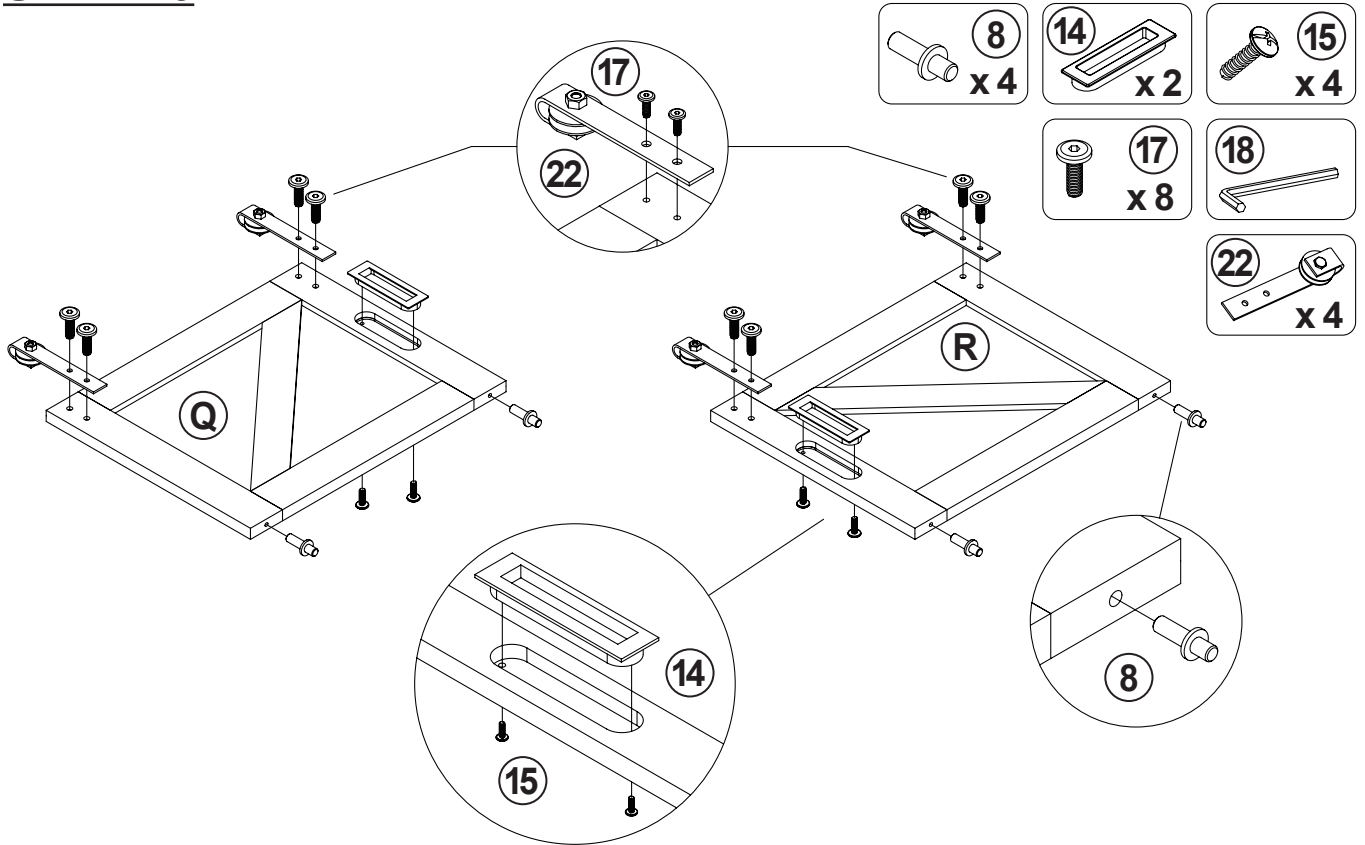


STEP 15

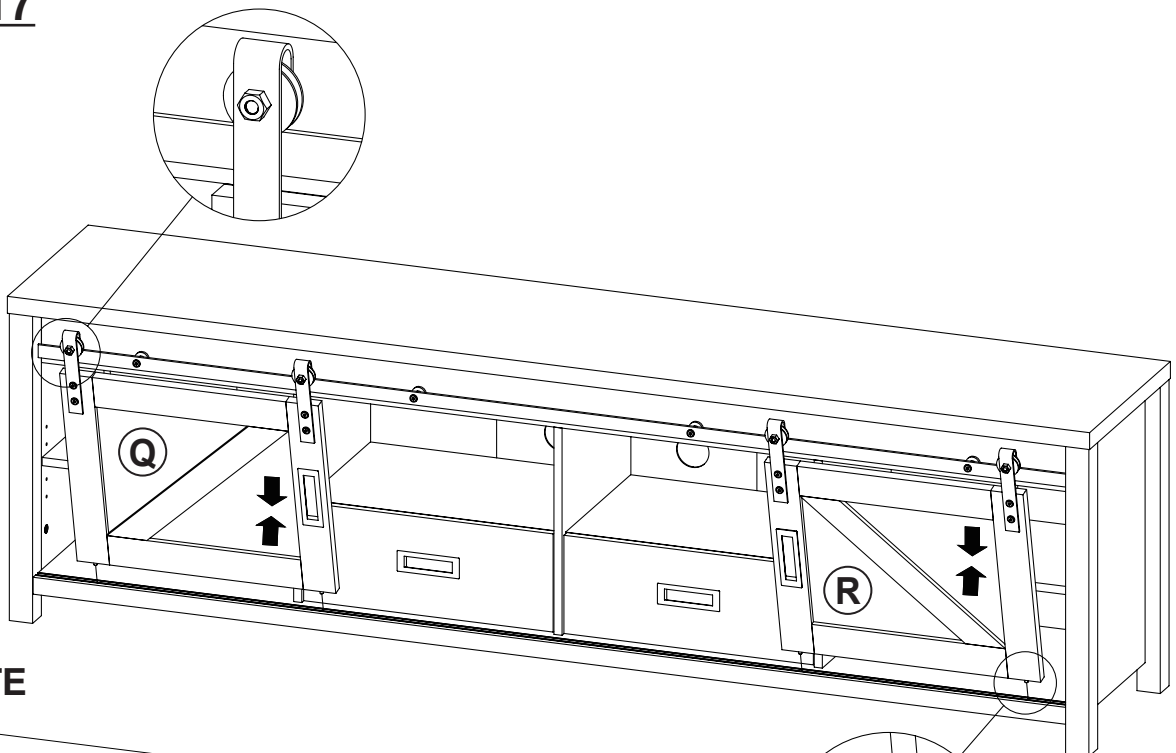


ITEM: 736263

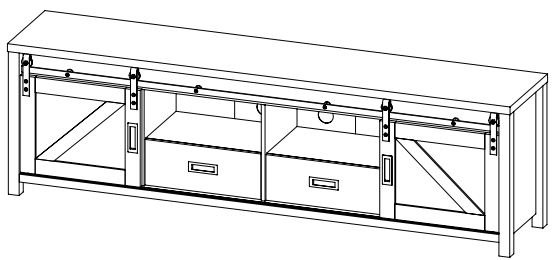
STEP 16



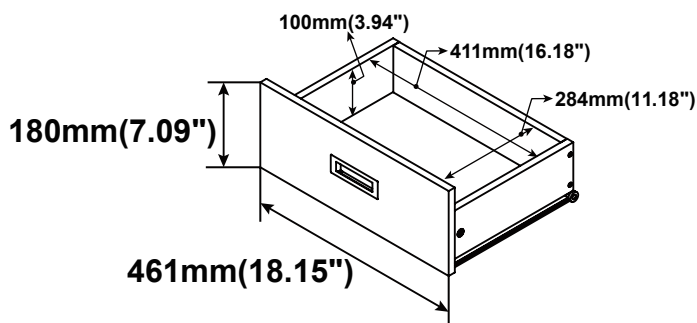
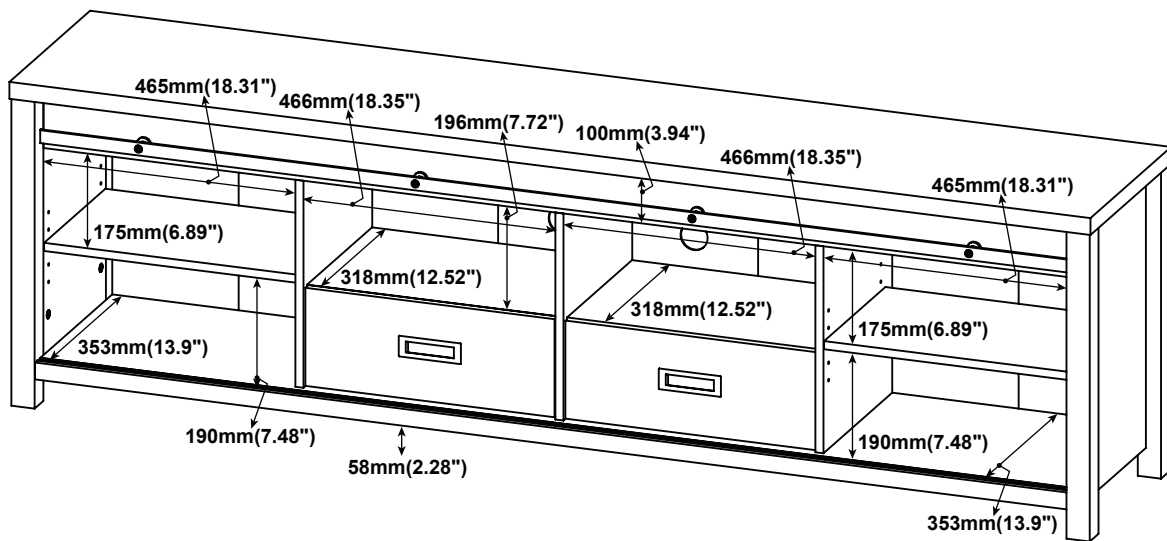
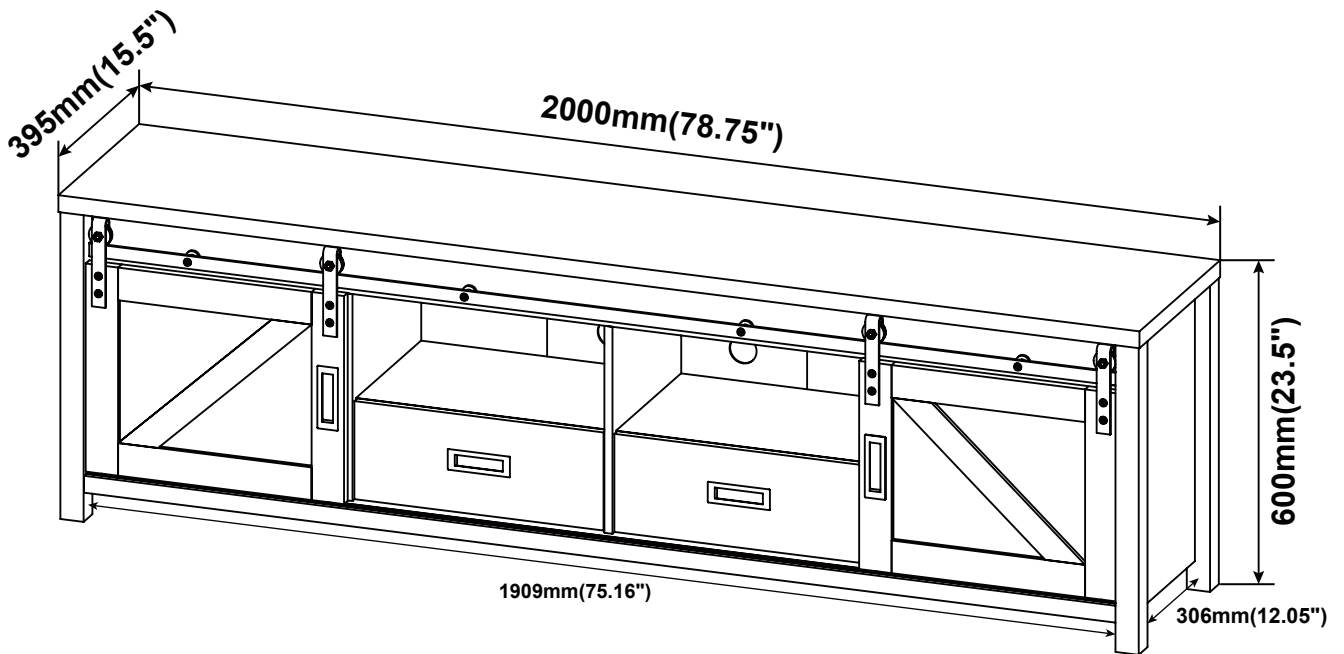
STEP 17



COMPLETE



ITEM: 736263



Note : Dimension tolerance $\pm 5\%$