



*ASSEMBLY INSTRUCTIONS*  
*COASTER FINE FURNITURE*



*Fine Furniture for every stage of life*

**509797**  
***STORAGE OTTOMAN***

ITEM : **509797**



## ASSEMBLY INSTRUCTIONS

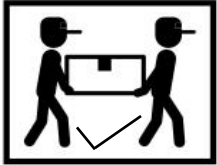
### ASSEMBLY TIPS:

- 1.Remove hardware from box and sort by size.
- 2.Please check to see that all hardware and parts are present prior to start of assembly.
- 3.Please follow attached instruction in the same sequence as numbered to assure fast & easy assembly.



### WARNING!

- 1.Don't attempt to repair or modify parts that are broken or defective. Please contact the store immediately.
- 2.This product is for home use only and not intended for commercial establishment.



ASSEMBLY TIME

15 MINUTES

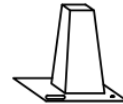
## PARTS IDENTIFICATION

**A OTTOMAN  
FRAME**



1PC

**B LEG**



4PCS

## HARDWARE IDENTIFICATION

**1 SCREW**



16PCS

**2. ALLEN WRENCH**

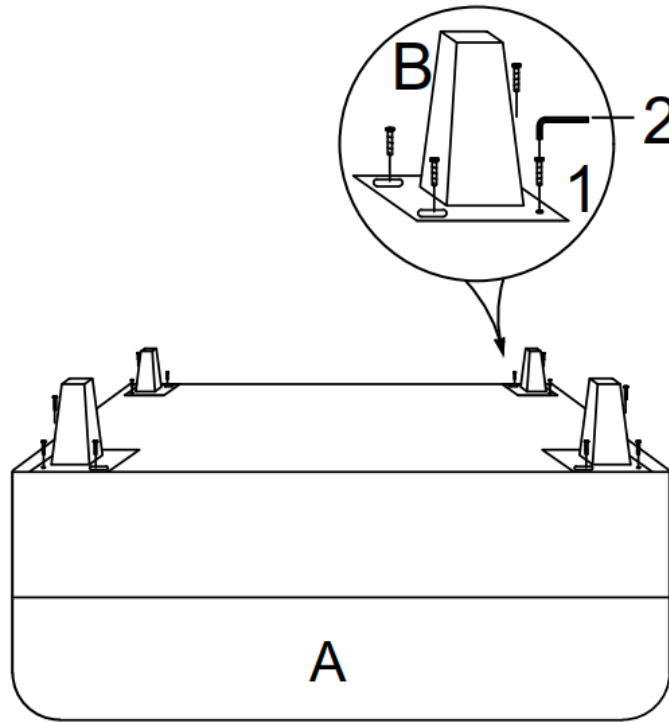


1PC

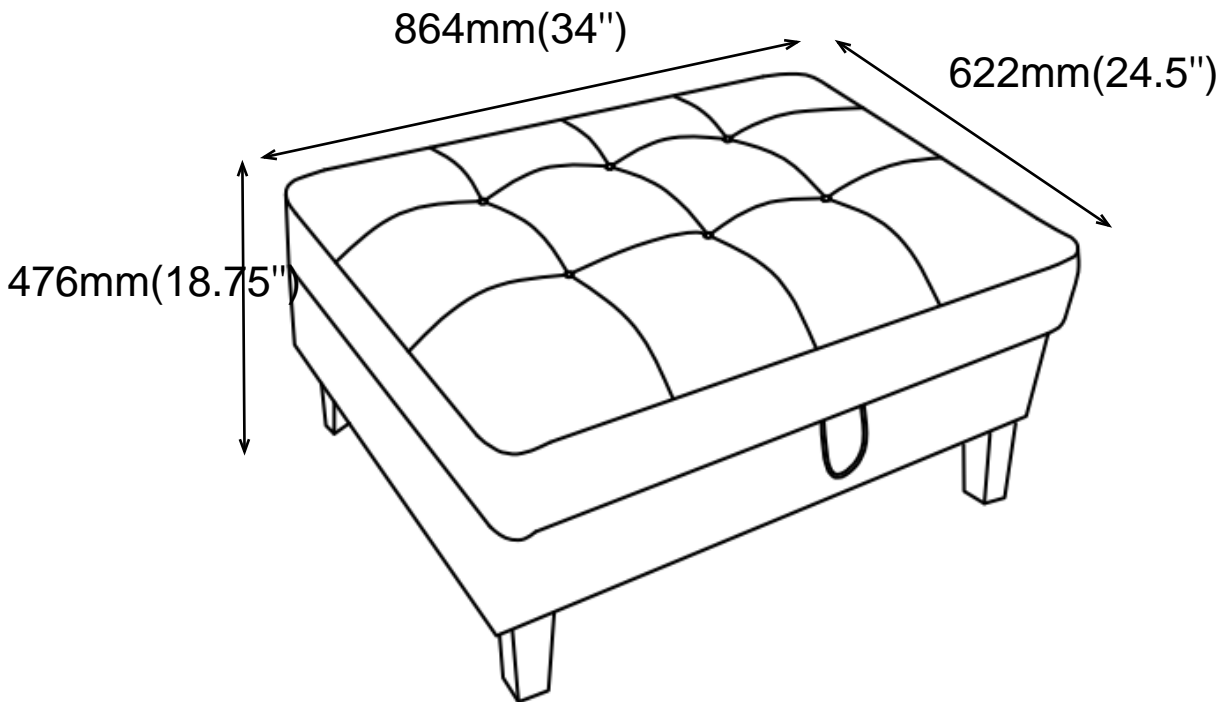
ITEM : **509797**

**ASSEMBLY INSTRUCTIONS**

**STEP 1**



**STEP 2**



Note : Dimension tolerance  $\pm 5\%$

