



ASSEMBLY INSTRUCTIONS
COASTER FINE FURNITURE



Fine Furniture for every stage of life

509796
SECTIONAL

ITEM :509796B1



ASSEMBLY INSTRUCTIONS

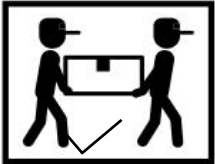
ASSEMBLY TIPS:

- 1.Remove hardware from box and sort by size.
- 2.Please check to see that all hardware and parts are present prior to start of assembly.
- 3.Please follow attached instruction in the same sequence as numbered to assure fast & easy assembly.



WARNING!

- 1.Don't attempt to repair or modify parts that are broken or defective. Please contact the store immediately.
- 2.This product is for home use only and not intended for commercial establishment.

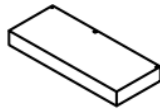


ASSEMBLY TIME

15 MINUTES

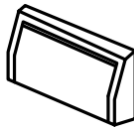
PARTS IDENTIFICATION

A SOFA SEAT FRAME



1PC

B SOFA BACK FRAME



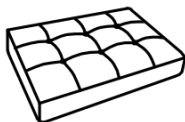
2PCS

C ARM FRAME



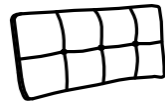
1PC

D SOFA SEAT CUSHION



2PCS

E SOFA BACK CUSHION



2PCS

F BACK PILLOW



1PC

G LEG



4PCS

H MIDDLE LEG



1PC

ITEM : **509796B1**



ASSEMBLY INSTRUCTIONS

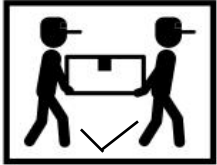
ASSEMBLY TIPS:

- 1.Remove hardware from box and sort by size.
- 2.Please check to see that all hardware and parts are present prior to start of assembly.
- 3.Please follow attached instruction in the same sequence as numbered to assure fast & easy assembly.



WARNING!

- 1.Don't attempt to repair or modify parts that are broken or defective. Please contact the store immediately.
- 2.This product is for home use only and not intended for commercial establishment.



ASSEMBLY TIME

15 MINUTES

HARDWARE IDENTIFICATION

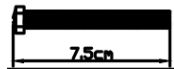
NOTES:HARDWARE PACK IS LOCATED IN 509796B1

1 SCREW



16PCS

2 SCREW



4PCS

3 WASHER



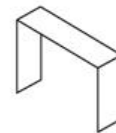
4PCS

4 WRENCH



1PC

5 CONNECTOR



2PCS

6 ALLEN WRENCH

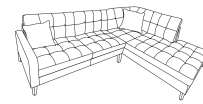
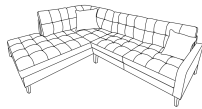


1PC

ITEM : **509796B1**

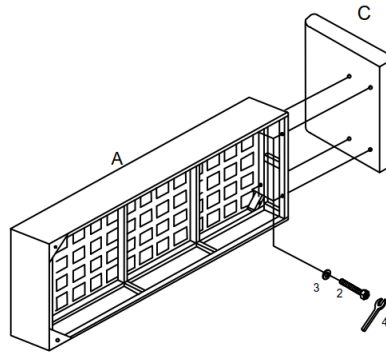
ASSEMBLY INSTRUCTIONS

LAF

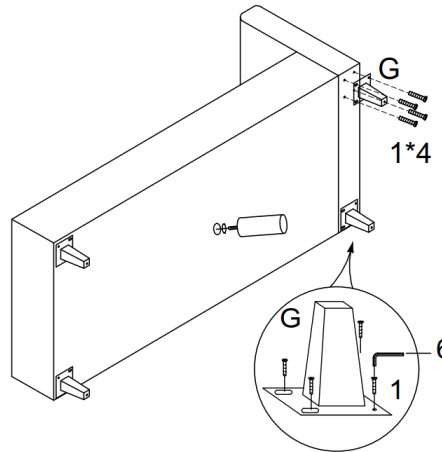


RAF

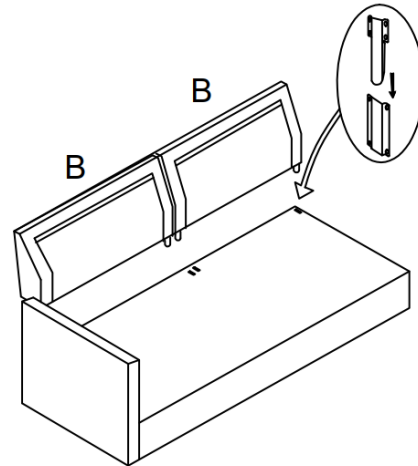
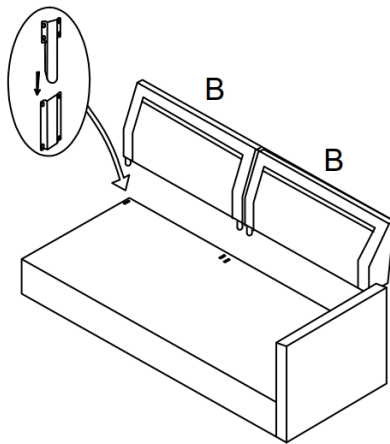
STEP 1



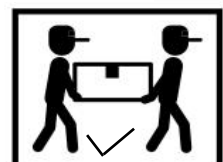
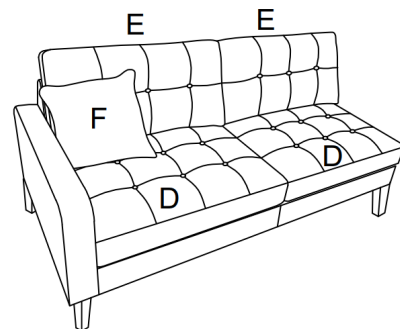
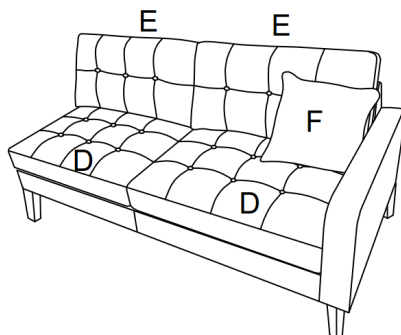
STEP 2



STEP 3



STEP 4



ITEM : **509796B2**



ASSEMBLY INSTRUCTIONS

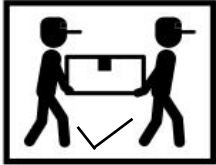
ASSEMBLY TIPS:

- 1.Remove hardware from box and sort by size.
- 2.Please check to see that all hardware and parts are present prior to start of assembly.
- 3.Please follow attached instruction in the same sequence as numbered to assure fast & easy assembly.



WARNING!

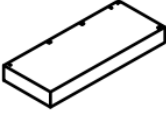
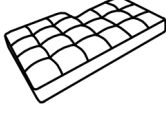






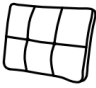

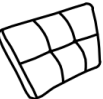

- 1.Don't attempt to repair or modify parts that are broken or defective. Please contact the store immediately.
- 2.This product is for home use only and not intended for commercial establishment.



ASSEMBLY TIME

15 MINUTES

PARTS IDENTIFICATION

I CHAISE SEAT FRAME		1PC	P CHAISE BIG SEAT CUSHION		1PC
J CHAISE LEFT BACK FRAME		1PC	Q CHAISE SMALL SEAT CUSHION		1PC
K CHAISE MIDDLE BACK FRAME		1PC	F BACK PILLOW		1PC
L CHAISE RIGHT BACK FRAME		1PC	G LEG		4PCS
M CHAISE LEFT BACK CUSHION		1PC	H MIDDLE LEG		4PCS
N CHAISE MIDDLE BACK CUSHION		1PC			
O CHAISE RIGHT BACK CUSHION		1PC			

ITEM : **509796B2**



ASSEMBLY INSTRUCTIONS

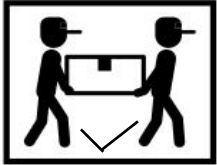
ASSEMBLY TIPS:

- 1.Remove hardware from box and sort by size.
- 2.Please check to see that all hardware and parts are present prior to start of assembly.
- 3.Please follow attached instruction in the same sequence as numbered to assure fast & easy assembly.



WARNING!

- 1.Don't attempt to repair or modify parts that are broken or defective. Please contact the store immediately.
- 2.This product is for home use only and not intended for commercial establishment.



ASSEMBLY TIME

15 MINUTES

HARDWARE IDENTIFICATION

NOTES:HARDWARE PACK IS LOCATED IN 509796B2

1 SCREW



16PCS

6 ALLEN WRENCH

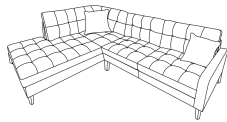


IPC

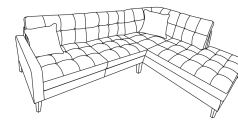
ITEM : **509796B2**
ASSEMBLY INSTRUCTIONS



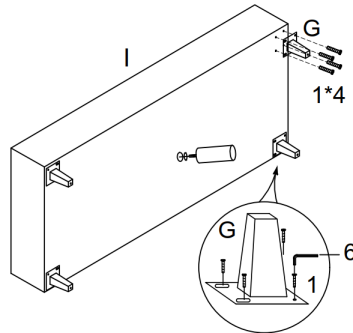
LAF



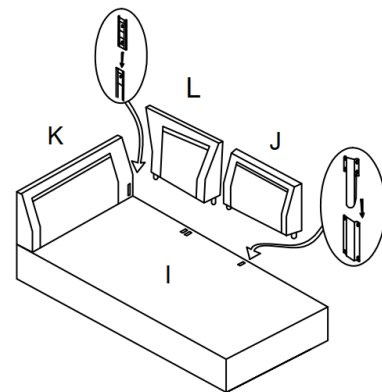
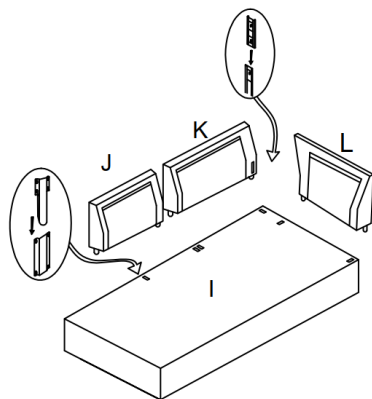
RAF



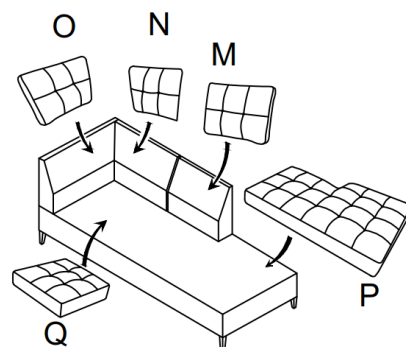
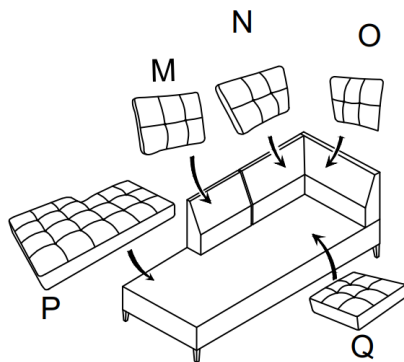
STEP 1



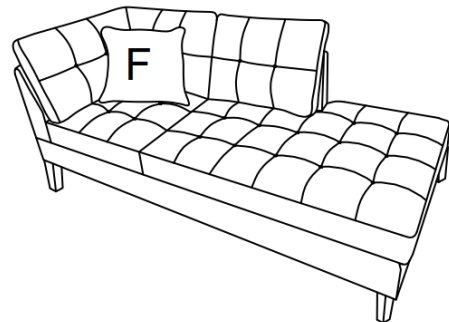
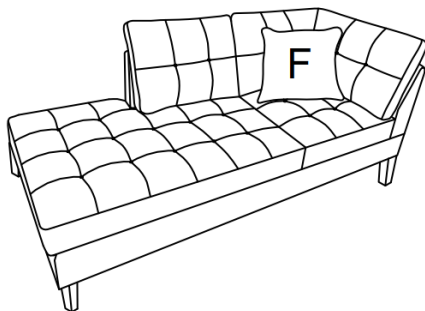
STEP 2



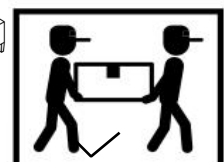
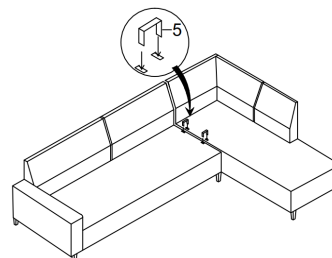
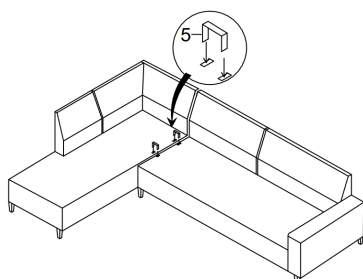
STEP 3



STEP 4

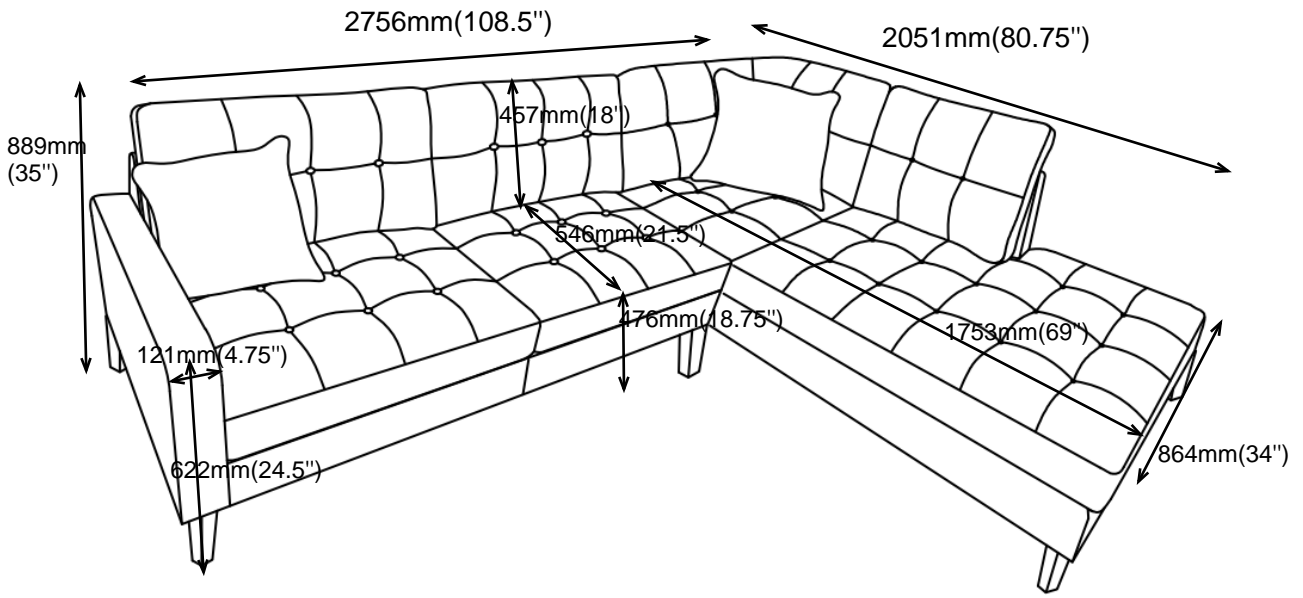


STEP 5



STEP 6

COMPLETED



Note : Dimension tolerance $\pm 5\%$

