

*ASSEMBLY INSTRUCTIONS*  
*COASTER FINE FURNITURE*



*Fine Furniture for every stage of life*

**115208(B1&B2)**  
**Counter Height Table**

# ITEM: 115208 (B1&B2)



## ASSEMBLY INSTRUCTIONS

### ASSEMBLY TIPS:

1. Remove hardware from box and sort by size.
2. Please check to see that all hardware and parts are present prior to start of assembly.
3. Please follow attached instructions in the same sequence as numbered to assure fast & easy assembly.



### WARNING!

1. Don't attempt to repair or modify parts that are broken or defective. Please contact the store immediately.
2. This product is for home use only and not intended for commercial establishments.



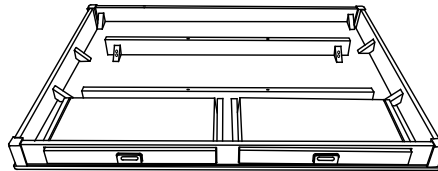
**ASSEMBLY TIME**

**10 MINUTES**

## PARTS IDENTIFICATION

### B1 (BOX 1)

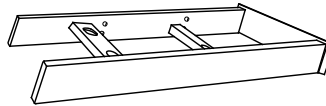
A TOP



1PC

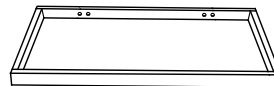
### B2 (BOX 2)

B LEG FRAME



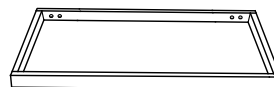
2PCS

C TOP SHELF



1PC

D BOTTOM SHELF

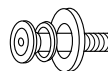


1PC

## HARDWARE IDENTIFICATION

### Z-B1(BOX 1) - HARDWARE PACK IS LOCATED IN 115208 (B1)

1 BOLT WITH WASHER  
(M6 x 45mm - BLK)



12PCS

2 ALLEN WRENCH  
(M4 - GD)



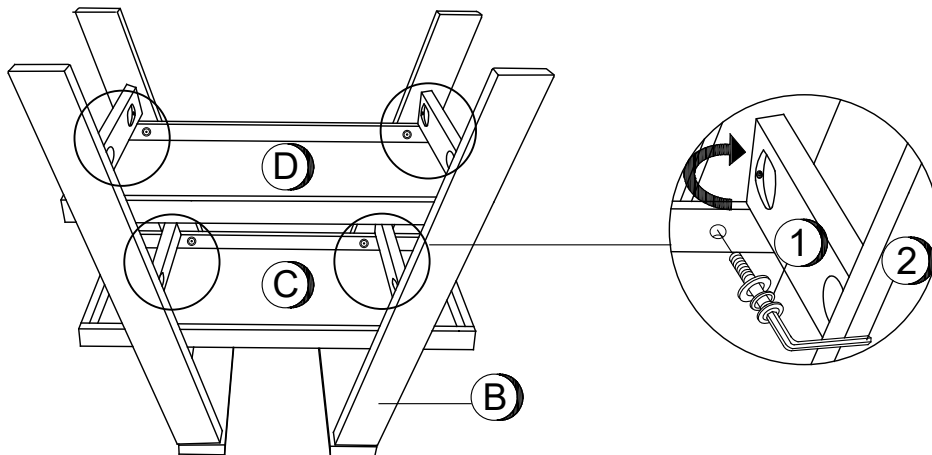
1PC

# ITEM: 115208 (B1&B2)

## ASSEMBLY INSTRUCTIONS

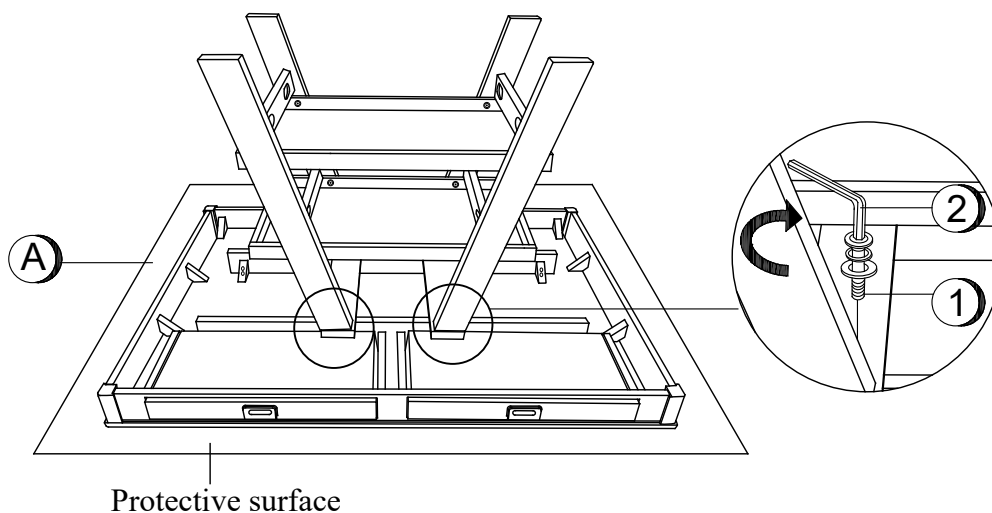


### STEP 1



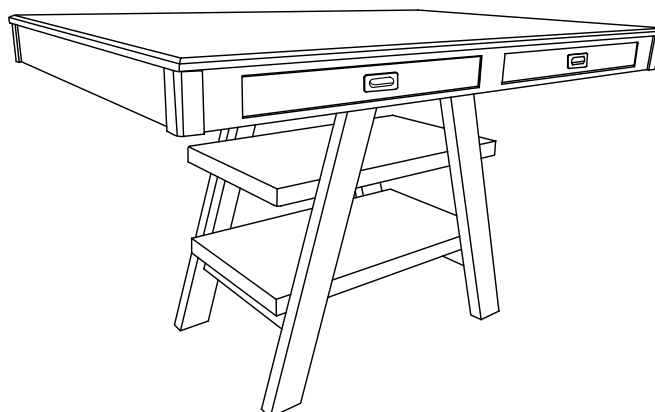
### STEP 2

Only 1 side with drawers



### STEP 3

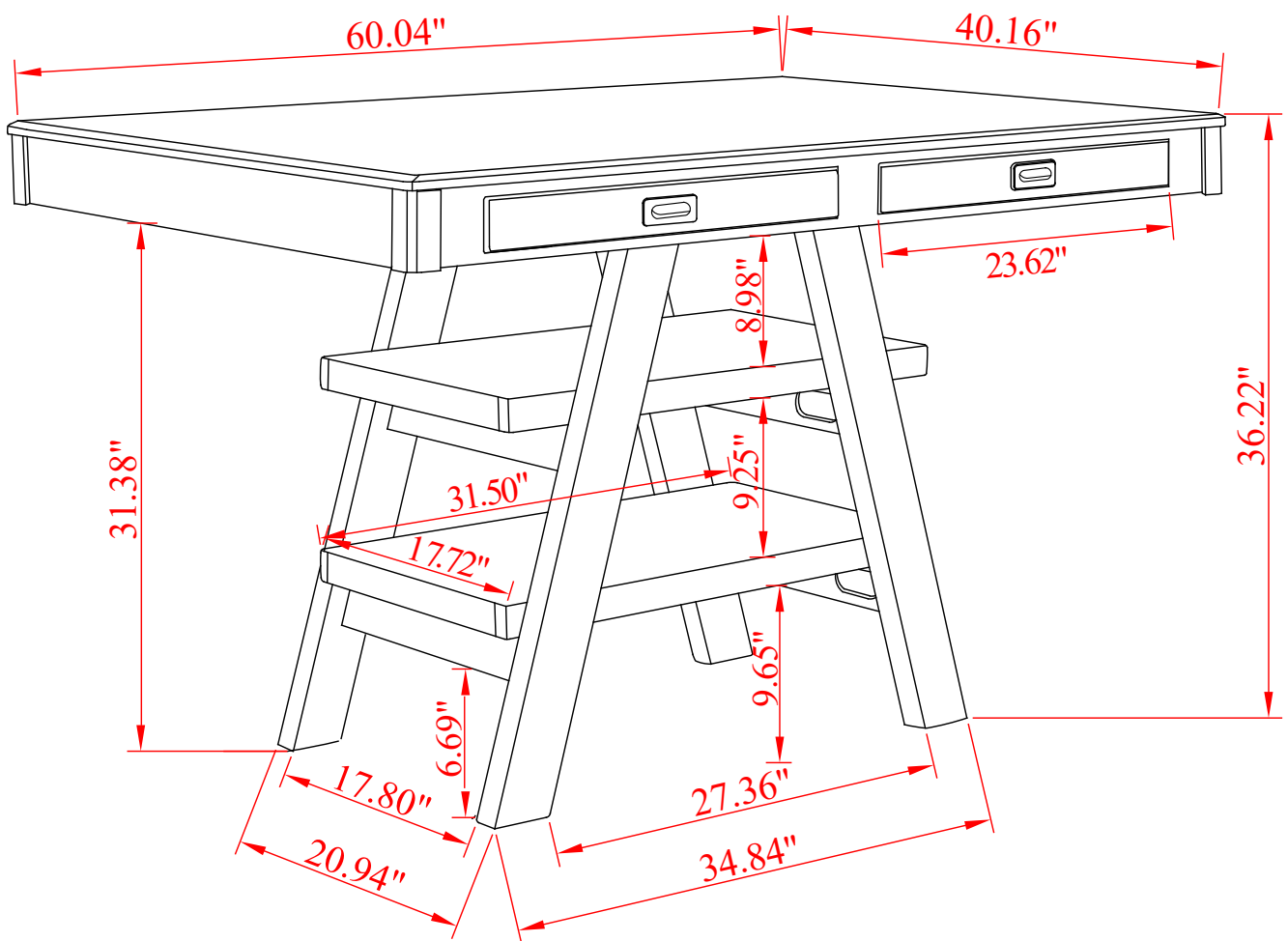
## COMPLETE



ITEM: 115208 (B1&B2)



**INNER SIZE OF DRAWER : 21.65" X 9.06" X 2.36"**



**Note:** Dimension tolerance  $\pm 5\%$