

ASSEMBLY INSTRUCTIONS
COASTER FINE FURNITURE



Fine Furniture for every stage of life

224284
Mirror

ITEM: **224284**



ASSEMBLY INSTRUCTIONS

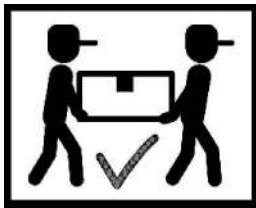
ASSEMBLY TIPS:

1. Remove hardware from box and sort by size.
2. Please check to see that all hardware and parts are present prior to start of assembly.
3. Please follow attached instructions in the same sequence as numbered to assure fast & easy assembly.



WARNING!

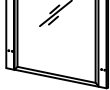

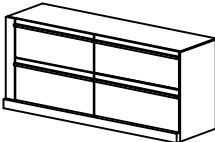
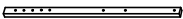
1. Don't attempt to repair or modify parts that are broken or defective. Please contact the store immediately.
2. This product is for home use only and not intended for commercial establishments.




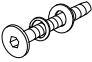


ASSEMBLY TIME

10 MINUTES

PARTS IDENTIFICATION

A	MIRROR		1PC
B	BOTTOM FRAME		1PC
C	DRESSER *FROM BOX ITEM #224283		1PC
D	MIRROR SUPPORT (PACKED WITH DRESSER)		2PCS

HARDWARE IDENTIFICATION

1	ALLEN WRENCH (M4 - BLK)		1PC
2	BOLT WITH WASHER (M6 x 50mm - BLK)		2PCS
3	WOOD DOWEL (M8 x 30mm)		2PCS
4	FLAT HEAD SCREW (M4 x 32mm - BLK)		8PCS

NOTE:

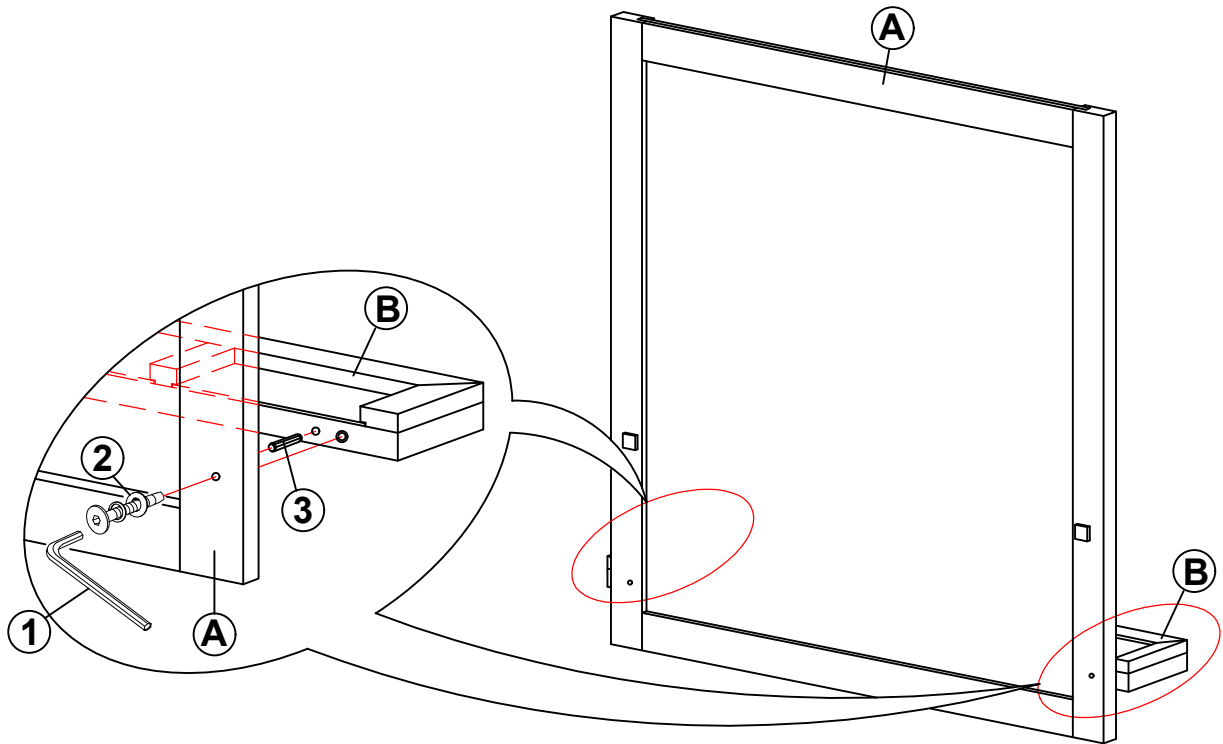
Phillips head screw driver is required in the assembly process; however, manufacturer does not provide this item.

ITEM: **224284**

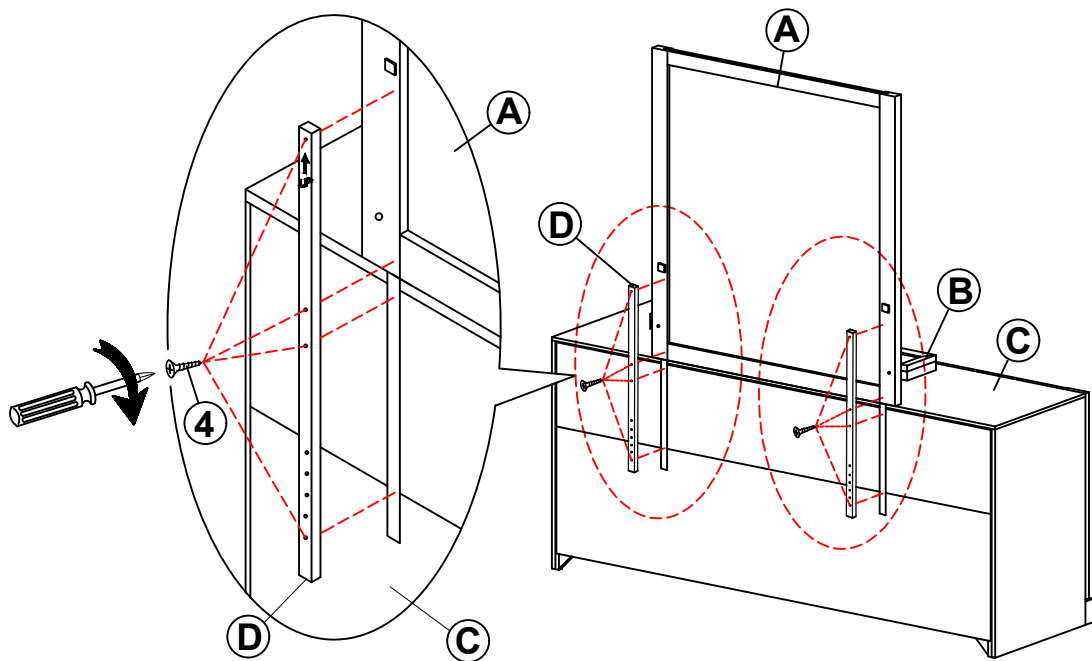


ASSEMBLY INSTRUCTIONS

STEP 1



STEP 2

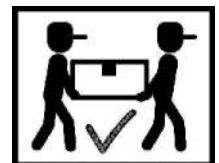
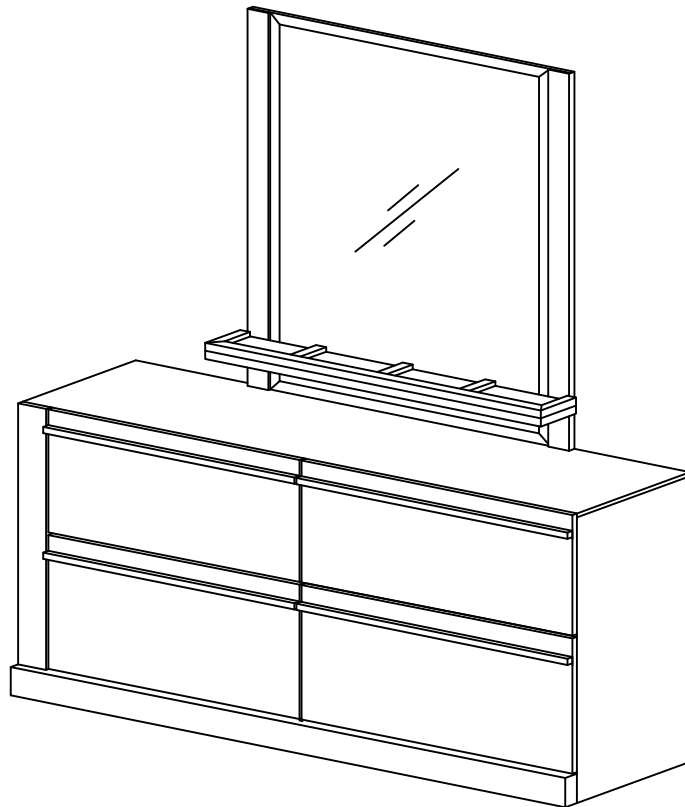


ITEM: **224284**

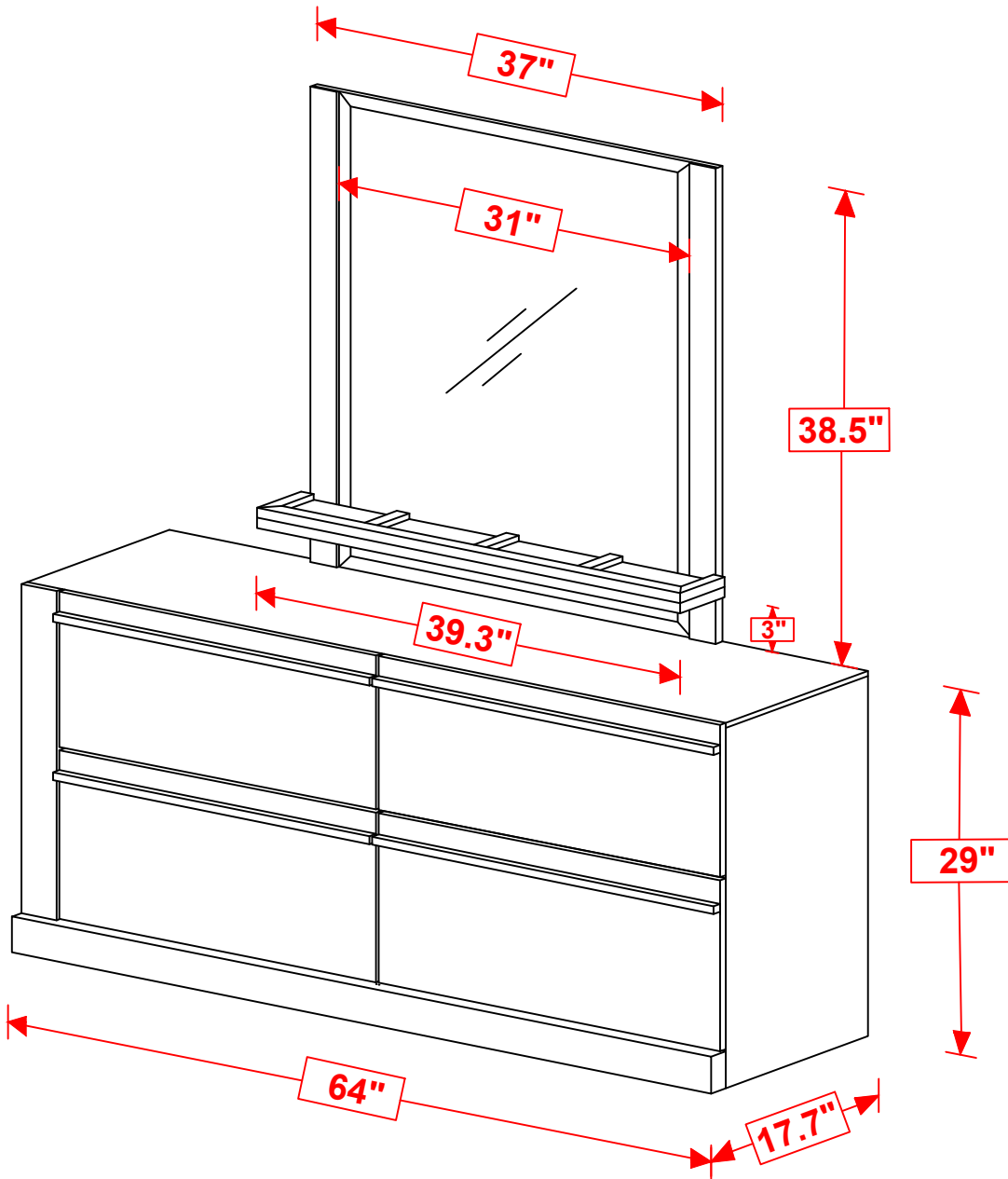


ASSEMBLY INSTRUCTIONS

STEP 3
COMPLETE



ITEM: 224284



NOTE : DIMENSION TOLERANCE \pm 5%

COASTERFURNITURE.COM